

ionex

**Connectors
for Charging
Applications**



GCT

USB4110

Product Introduction

www.gct.co

Vital Stats

Introducing the **ionex**[®] range from **GCT**. USB Type-C connectors specifically aimed for **power charging** designs.

The connectors are based on a modified 16 pin configuration giving it the full charge capabilities of Type-C with streamlined USB2.0 functionality. Fewer pins means a price point closer to that of Micro USB, making Type-C more accessible than ever and a real option for engineers to design into charging and docking applications.

Contacts

16

Double-Layer Shell

Stainless Steel

Operating Temp.

-40 to +85°C

Mating Cycles

10,000

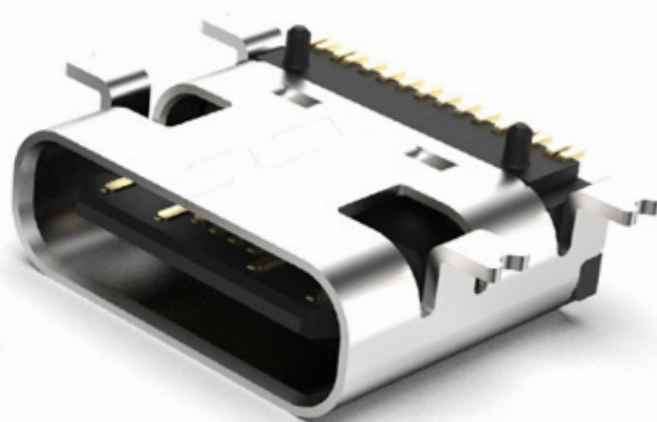
Specification

USB 2.0

Learn more about ionex[®]

USB4110 Key Specs

The first in the **ionex**[®] range - **USB4110** - is a horizontal top-mount USB Type-C connector with 16 contacts instead of the standard 24. This means it is capable of super fast charging whilst still retaining USB 2.0 specification for power management at a lower price-point than a 24 contact USB-Type C.



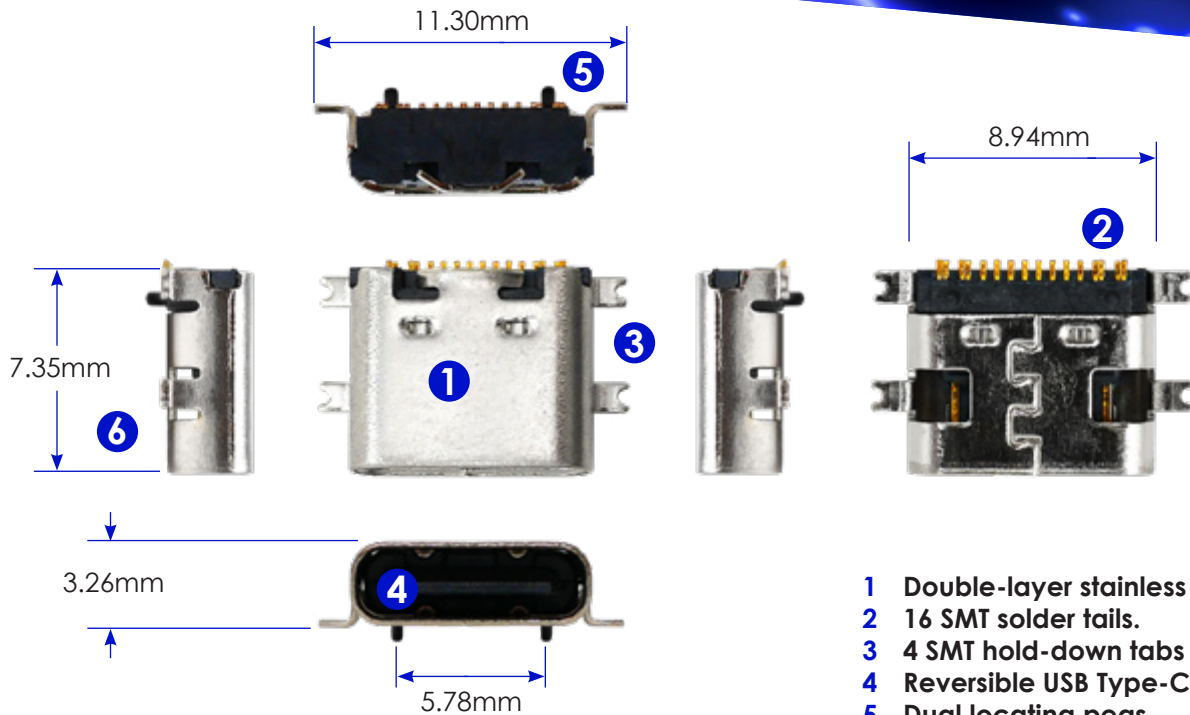
16 Pin Design

- Ⓛ V_{Bus} 3A (A1, A4, A9, A12, B1, B9, B4, B12)
- Ⓛ V Conn 1.25A (B5, A8)
- Ⓛ Ground 4.25A (A1, A12, B1, B12)
- Ⓛ others 0.25A

- Ⓛ Complies to USB standard 2.0
- Ⓛ Super fast charging
- Ⓛ Cost saving thanks to fewer contacts

[View part online](#)

USB4110 Key Dimensions



- 1 Double-layer stainless steel shell
- 2 16 SMT solder tails.
- 3 4 SMT hold-down tabs
- 4 Reversible USB Type-C interface
- 5 Dual locating pegs
- 6 Overall depth of less than 7.5mm

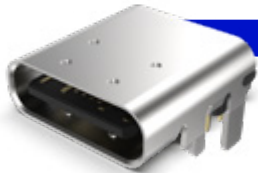
[View full drawing online](#)

iOnex Range



USB4110 - Surface Mount

- USB Type-C, USB 2.0 Horizontal Receptacle
- Single-piece injection molded stainless steel shell
- 3.26mm profile above PCB, Top mount, SMT mount
- 4 Surface Mount shell tabs, 16 SMT solder tails



USB4085 - Through-Hole

- USB Type-C, USB 2.0 Horizontal Receptacle
- Single-piece injection molded stainless steel shell
- 3.46mm profile above PCB, Top mount, Through-Hole mount
- 4 Surface Mount shell stake, 16 SMT solder tails



USB4105 - Hybrid / Coming Soon

- USB Type-C, USB 2.0 Horizontal Receptacle
- Single-piece injection molded stainless steel shell
- 3.31mm profile above PCB, Top mount, Hybrid mount
- 4 Surface Mount shell tabs, 16 SMT solder tails

[View the range online](#)

Website



Technical Documentation

Detailed Product Drawings | Specification & Testing Documents



3D CAD Model & PCB Footprint Downloads

Configure & download any GCT part in seconds | Universal & software-specific file types



Quick Quoting & Express Sampling

Online Part Number Builder | Live Chat with our Experts | 72 hour Sampling on Select Ranges



Custom Connector & Cable Assembly Capabilities

Bespoke Designs from Idea to Reality | Overmolded, IDC & Crimp Cable Assembly Options



Local Support with a Global Footprint

GCT Locations in Europe, the Americas, and Asia | Worldwide Distribution Partners

 **London UK**
+44 01707 321122
sales@gct-europe.com

 **Boston MA, USA**
+1 978 208 1618
sales@gct-americas.com

 **Hong Kong HK**
+852 2578 9030
sales@gct-apac.com

 **Düsseldorf DE**
+49 2166 555 1345
salesde@gct-europe.com

 **San Jose CA, USA**
+1 650 448 9660
sales@gct-americas.com

 **Singapore SG**
+65 8322 2263
sales@gct-apac.com

 **New Delhi IN**
+91 9873008975
sales@gct-apac.com

gct.co