



Product Change Notification / SYST-02WMWU601

Date:

03-May-2023

Product Category:

Memory

PCN Type:

Document Change

Notification Subject:

Data Sheet - 93AA56A/B/C, 93LC56A/B/C, 93C56A/B/C - 2-Kbit Microwire Compatible Serial EEPROM
Data Sheet

Affected CPNs:

[SYST-02WMWU601_Affected_CPN_05032023.pdf](#)
[SYST-02WMWU601_Affected_CPN_05032023.csv](#)

Notification Text:

SYST-02WMWU601

Microchip has released a new Datasheet for the 93AA56A/B/C, 93LC56A/B/C, 93C56A/B/C - 2-Kbit Microwire Compatible Serial EEPROM Data Sheet of devices. If you are using one of these devices please read the document located at [93AA56A/B/C, 93LC56A/B/C, 93C56A/B/C - 2-Kbit Microwire Compatible Serial EEPROM Data Sheet](#).

Notification Status: Final

Description of Change:

Corrected "1st Line Marking Codes" table.

Impacts to Data Sheet: See above details.

Reason for Change: To improve Productivity.

Change Implementation Status: Complete

Date Document Changes Effective: 03 May 2023

NOTE: Please be advised that this is a change to the document only the product has not been changed.

Markings to Distinguish Revised from Unrevised Devices::N/A

Attachments:

[93AA56A/B/C, 93LC56A/B/C, 93C56A/B/C - 2-Kbit Microwire Compatible Serial EEPROM Data Sheet](#)

Please contact your local [Microchip sales office](#) with questions or concerns regarding this notification.

Terms and Conditions:

If you wish to receive Microchip PCNs via email please register for our PCN email service at our [PCN home page](#) select register then fill in the required fields. You will find instructions about registering for Microchips PCN email service in the [PCN FAQ](#) section.

If you wish to change your PCN profile, including opt out, please go to the [PCN home page](#) select login and sign into your myMicrochip account. Select a profile option from the left navigation bar and make the applicable selections.

2-Kbit Microwire Compatible Serial EEPROM

Device Selection Table

Part Number	Vcc Range	ORG Pin	Word Size	Temperature Ranges	Packages
93AA56A	1.8V-5.5V	No	8-bit	I	MC, MS, P, SN, OT, MN, ST
93AA56B	1.8V-5.5V	No	16-bit	I	MC, MS, P, SN, OT, MN, ST
93LC56A	2.5V-5.5V	No	8-bit	I, E	MC, MS, P, SN, OT, MN, ST
93LC56B	2.5V-5.5V	No	16-bit	I, E	MC, MS, P, SN, OT, MN, ST
93C56A	4.5V-5.5V	No	8-bit	I, E	MC, MS, P, SN, OT, MN, ST
93C56B	4.5V-5.5V	No	16-bit	I, E	MC, MS, P, SN, OT, MN, ST
93AA56C	1.8V-5.5V	Yes	8-bit or 16-bit	I	MC, MS, P, SN, MN, ST
93LC56C	2.5V-5.5V	Yes	8-bit or 16-bit	I, E	MC, MS, P, SN, MN, ST
93C56C	4.5V-5.5V	Yes	8-bit or 16-bit	I, E	MC, MS, P, SN, MN, ST

Features

- Low-Power CMOS Technology
- ORG Pin to Select Word Size for '56C' Version
- 256 x 8-bit Organization 'A' Version (no ORG)
- 128 x 16-bit Organization 'B' Version (no ORG)
- Self-Timed Erase/Write Cycles (including Auto-Erase)
- Automatic Erase All (ERAL) before Write All (WRAL)
- Power-On/Off Data Protection Circuitry
- Industry Standard Three-Wire Serial I/O
- Device Status Signal (Ready/Busy)
- Sequential Read Function
- High Reliability:
 - Endurance: 1,000,000 erase/write cycles
 - Data retention: > 200 years
 - ESD protection: > 4000V
- RoHS Compliant:
- Automotive AEC-Q100 Qualified
- Temperature Ranges Supported:
 - Industrial (I) -40°C to +85°C
 - Extended (E) -40°C to +125°C

Pin Function Table

Name	Function
CS	Chip Select
CLK	Serial Data Clock
DI	Serial Data Input
DO	Serial Data Output
Vss	Ground
NC	No internal connection
ORG	Memory Configuration
Vcc	Power Supply

Description

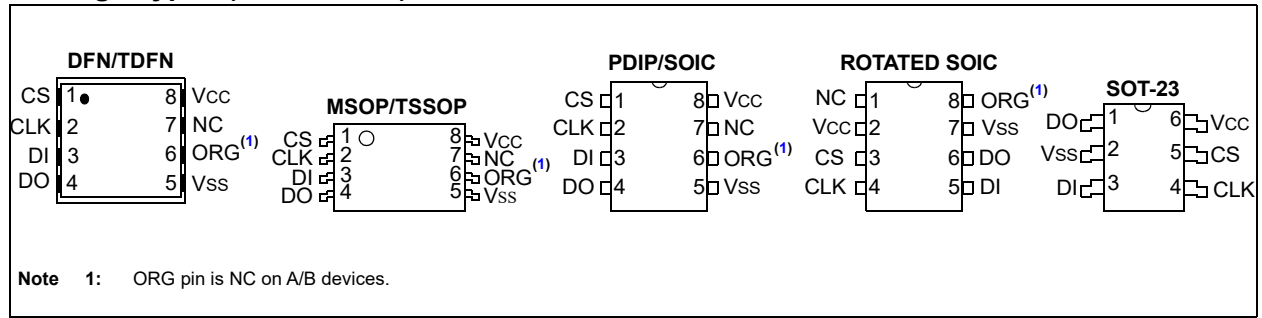
The Microchip Technology Inc. 93XX56A/B/C devices are 2-Kbit low-voltage serial Electrically Erasable PROMs (EEPROM). Word-selectable devices such as the 93AA56C, 93LC56C or 93C56C are dependent upon external logic levels driving the ORG pin to set word size. For dedicated 8-bit communication, the 93XX56A devices are available, while the 93XX56B devices provide dedicated 16-bit communication. Advanced CMOS technology makes these devices ideal for low-power, nonvolatile memory applications.

Packages

- 8-Lead DFN, 8-Lead MSOP, 8-Lead PDIP, 8-Lead SOIC, 6-Lead SOT-23, 8-Lead TDFN and 8-Lead TSSOP

93AA56A/B/C, 93LC56A/B/C, 93C56A/B/C

Package Types (not to scale)



93AA56A/B/C, 93LC56A/B/C, 93C56A/B/C

1.0 ELECTRICAL CHARACTERISTICS

Absolute Maximum Ratings^(f)

V _{CC}	7.0V
All inputs and outputs w.r.t. V _{SS}	-0.6V to V _{CC} +1.0V
Storage temperature.....	-65°C to +150°C
Ambient temperature with power applied.....	-40°C to +125°C
ESD protection on all pins.....	≥ 4 kV

†NOTICE: Stresses above those listed under “Absolute Maximum Ratings” may cause permanent damage to the device. This is a stress rating only and functional operation of the device at those or any other conditions above those indicated in the operational listings of this specification is not implied. Exposure to maximum rating conditions for extended periods may affect device reliability.

TABLE 1-1: DC CHARACTERISTICS

All parameters apply over the specified ranges unless otherwise noted.			Industrial (I): TA = -40°C to +85°C, V _{CC} = +1.8V to +5.5V Extended (E): TA = -40°C to +125°C, V _{CC} = +2.5V to +5.5V				
Param. No.	Symbol	Parameter	Minimum	Typical	Maximum	Units	Conditions
D1	V _{IH1}	High-level Input Voltage	2.0	—	V _{CC} + 1	V	V _{CC} ≥ 2.7V
	V _{IH2}		0.7 V _{CC}	—	V _{CC} + 1	V	V _{CC} < 2.7V
D2	V _{IL1}	Low-level Input Voltage	-0.3	—	0.8	V	V _{CC} ≥ 2.7V
	V _{IL2}		-0.3	—	0.2 V _{CC}	V	V _{CC} < 2.7V
D3	V _{OL1}	Low-level Output Voltage	—	—	0.4	V	I _{OL} = 2.1 mA, V _{CC} = 4.5V
	V _{OL2}		—	—	0.2	V	I _{OL} = 100 μA, V _{CC} = 2.5V
D4	V _{OH1}	High-level Output Voltage	2.4	—	—	V	I _{OH} = -400 μA, V _{CC} = 4.5V
	V _{OH2}		V _{CC} - 0.2	—	—	V	I _{OH} = -100 μA, V _{CC} = 2.5V
D5	I _{LI}	Input Leakage Current	—	—	±1	μA	V _{IN} = V _{SS} or V _{CC}
D6	I _{LO}	Output Leakage Current	—	—	±1	μA	V _{OUT} = V _{SS} or V _{CC}
D7	C _{IN} , C _{OUT}	Pin Capacitance (all inputs/outputs)	—	—	7	pF	V _{IN} /V _{OUT} = 0V (Note 1) TA = +25°C, F _{CLK} = 1 MHz
D8	I _{CC} write	Write Current	—	—	2	mA	F _{CLK} = 3 MHz, V _{CC} = 5.5V F _{CLK} = 2 MHz, V _{CC} = 2.5V
			—	500	—	μA	
D9	I _{CC} read	Read Current	—	—	1	mA	F _{CLK} = 3 MHz, V _{CC} = 5.5V
			—	—	500	μA	F _{CLK} = 2 MHz, V _{CC} = 3.0V
			—	100	—	μA	F _{CLK} = 2 MHz, V _{CC} = 2.5V
D10	I _{CCS}	Standby Current	—	—	1	μA	I-Temp. CLK = CS = 0V ORG = DI = V _{SS} or V _{CC} (Note 2 and Note 3)
			—	—	5	μA	E-Temp. CLK = CS = 0V ORG = DI = V _{SS} or V _{CC} (Note 2 and Note 3)

Note 1: This parameter is periodically sampled and not 100% tested.

Note 2: ORG pin not available on 'A' or 'B' versions.

Note 3: Ready/Busy status must be cleared from DO; see [Section 3.4 “Data Out \(DO\)”](#).

93AA56A/B/C, 93LC56A/B/C, 93C56A/B/C

TABLE 1-1: DC CHARACTERISTICS (CONTINUED)

All parameters apply over the specified ranges unless otherwise noted.			Industrial (I): TA = -40°C to +85°C, Vcc = +1.8V to +5.5V Extended (E): TA = -40°C to +125°C, Vcc = +2.5V to +5.5V				
Param. No.	Symbol	Parameter	Minimum	Typical	Maximum	Units	Conditions
D11	VPOR	Vcc Voltage Detect	—	1.5	—	V	93AA56A/B/C, 93LC56A/B/C (Note 1)
			—	3.8	—	V	93C56A/B/C (Note 1)

Note 1: This parameter is periodically sampled and not 100% tested.

2: ORG pin not available on 'A' or 'B' versions.

3: Ready/Busy status must be cleared from DO; see [Section 3.4 "Data Out \(DO\)"](#).

TABLE 1-2: AC CHARACTERISTICS

All parameters apply over the specified ranges unless otherwise noted.			Industrial (I): TA = -40°C to +85°C, Vcc = +1.8V to +5.5V Extended (E): TA = -40°C to +125°C, Vcc = +2.5V to +5.5V			
Param. No.	Symbol	Parameter	Minimum	Maximum	Units	Conditions
A1	FCLK	Clock Frequency	—	3	MHz	4.5V ≤ Vcc < 5.5V, 93XX56C only
			—	2	MHz	2.5V ≤ Vcc < 5.5V
			—	1	MHz	1.8V ≤ Vcc < 2.5V
A2	TCKH	Clock High Time	200	—	ns	4.5V ≤ Vcc < 5.5V, 93XX56C only
			250	—	ns	2.5V ≤ Vcc < 5.5V
			450	—	ns	1.8V ≤ Vcc < 2.5V
A3	TCKL	Clock Low Time	100	—	ns	4.5V ≤ Vcc < 5.5V, 93XX56C only
			200	—	ns	2.5V ≤ Vcc < 5.5V
			450	—	ns	1.8V ≤ Vcc < 2.5V
A4	TCSS	Chip Select Setup Time	50	—	ns	4.5V ≤ Vcc < 5.5V
			100	—	ns	2.5V ≤ Vcc < 4.5V
			250	—	ns	1.8V ≤ Vcc < 2.5V
A5	TCSH	Chip Select Hold Time	0	—	ns	1.8V ≤ Vcc < 5.5V
A6	TCSL	Chip Select Low Time	250	—	ns	1.8V ≤ Vcc < 5.5V
A7	TDis	Data Input Setup Time	50	—	ns	4.5V ≤ Vcc < 5.5V, 93XX56C only
			100	—	ns	2.5V ≤ Vcc < 5.5V
			250	—	ns	1.8V ≤ Vcc < 2.5V
A8	TDIH	Data Input Hold Time	50	—	ns	4.5V ≤ Vcc < 5.5V, 93XX56C only
			100	—	ns	2.5V ≤ Vcc < 5.5V
			250	—	ns	1.8V ≤ Vcc < 2.5V
A9	TPD	Data Output Delay Time	—	200	ns	4.5V ≤ Vcc < 5.5V, CL = 100 pF
			—	250	ns	2.5V ≤ Vcc < 4.5V, CL = 100 pF
			—	400	ns	1.8V ≤ Vcc < 2.5V, CL = 100 pF
A10	TCZ	Data Output Disable Time	—	100	ns	4.5V ≤ Vcc < 5.5V, (Note 1)
			—	200	ns	1.8V ≤ Vcc < 4.5V, (Note 1)
A11	Tsv	Status Valid Time	—	200	ns	4.5V ≤ Vcc < 5.5V, CL = 100 pF
			—	300	ns	2.5V ≤ Vcc < 4.5V, CL = 100 pF
			—	500	ns	1.8V ≤ Vcc < 2.5V, CL = 100 pF

Note 1: This parameter is periodically sampled and not 100% tested.

2: This parameter is not tested but ensured by characterization.

93AA56A/B/C, 93LC56A/B/C, 93C56A/B/C

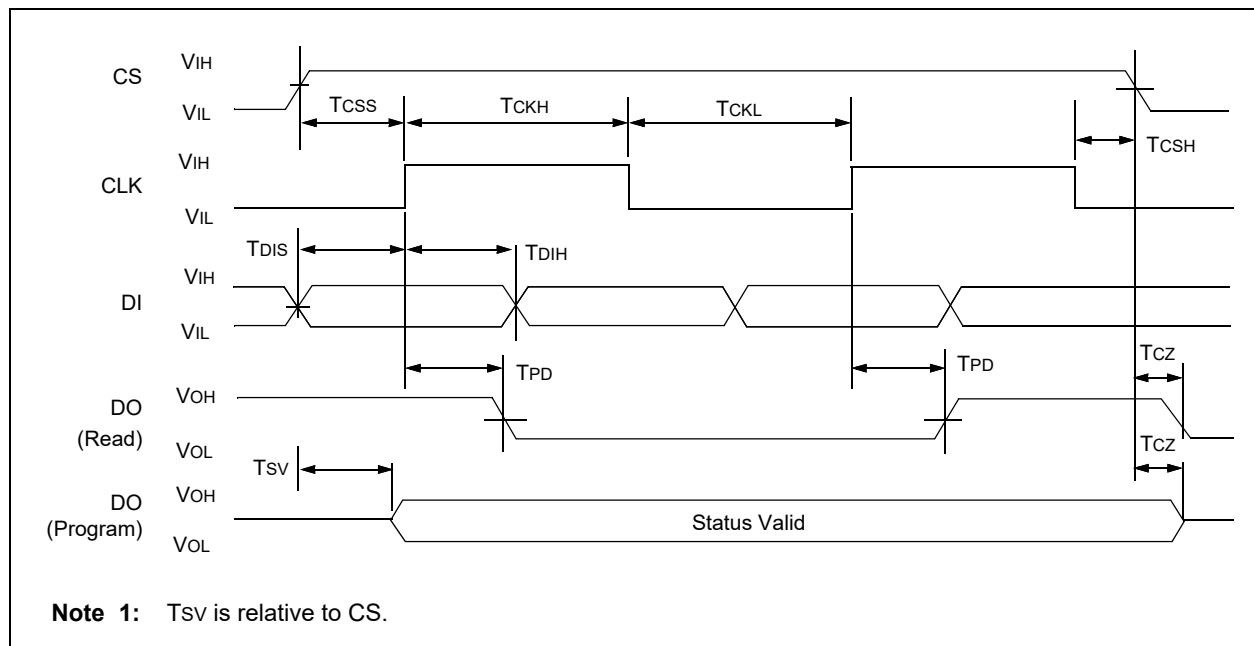
TABLE 1-2: AC CHARACTERISTICS (CONTINUED)

All parameters apply over the specified ranges unless otherwise noted.			Industrial (I): $T_A = -40^{\circ}\text{C}$ to $+85^{\circ}\text{C}$, $V_{CC} = +1.8\text{V}$ to $+5.5\text{V}$ Extended (E): $T_A = -40^{\circ}\text{C}$ to $+125^{\circ}\text{C}$, $V_{CC} = +2.5\text{V}$ to $+5.5\text{V}$			
Param. No.	Symbol	Parameter	Minimum	Maximum	Units	Conditions
A12	TWC	Program Cycle Time	—	6	ms	Erase/Write mode (AA and LC versions)
A13	TWC		—	2	ms	Erase/Write mode (93C versions)
A14	TEC		—	6	ms	ERAL mode, $4.5\text{V} \leq V_{CC} \leq 5.5\text{V}$
A15	TWL		—	15	ms	WRAL mode, $4.5\text{V} \leq V_{CC} \leq 5.5\text{V}$
A16		Endurance	1M	—	cycles	$+25^{\circ}\text{C}$, $V_{CC} = 5.0\text{V}$ (Note 2)

Note 1: This parameter is periodically sampled and not 100% tested.

Note 2: This parameter is not tested but ensured by characterization.

FIGURE 1-1: SYNCHRONOUS DATA TIMING



Note 1: Tsv is relative to CS.

TABLE 1-3: INSTRUCTION SET FOR X16 ORGANIZATION (93XX56B OR 93XX56C WITH ORG=1)

Instruction	SB	Opcode	Address								Data In	Data Out	Req. CLK Cycles
ERASE	1	11	X	A6	A5	A4	A3	A2	A1	A0	—	(RDY/BSY)	11
ERAL	1	00	1	0	X	X	X	X	X	X	—	(RDY/BSY)	11
EWDS	1	00	0	0	X	X	X	X	X	X	—	High-Z	11
EWEN	1	00	1	1	X	X	X	X	X	X	—	High-Z	11
READ	1	10	X	A6	A5	A4	A3	A2	A1	A0	—	D15-D0	27
WRITE	1	01	X	A6	A5	A4	A3	A2	A1	A0	D15-D0	(RDY/BSY)	27
WRAL	1	00	0	1	X	X	X	X	X	X	D15-D0	(RDY/BSY)	27

93AA56A/B/C, 93LC56A/B/C, 93C56A/B/C

TABLE 1-4: INSTRUCTION SET FOR X8 ORGANIZATION (93XX56A OR 93XX56C WITH ORG =0)

Instruction	SB	Opcode	Address	Data In	Data Out	Req. CLK Cycles
ERASE	1	11	X A7 A6 A5 A4 A3 A2 A1 A0	—	(RDY/ $\overline{\text{BSY}}$)	12
ERAL	1	00	1 0 X X X X X X X	—	(RDY/ $\overline{\text{BSY}}$)	12
EWDS	1	00	0 0 X X X X X X X	—	High-Z	12
EWEN	1	00	1 1 X X X X X X X	—	High-Z	12
READ	1	10	X A7 A6 A5 A4 A3 A2 A1 A0	—	D7-D0	20
WRITE	1	01	X A7 A6 A5 A4 A3 A2 A1 A0	D7-D0	(RDY/ $\overline{\text{BSY}}$)	20
WRAL	1	00	0 1 X X X X X X X	D7-D0	(RDY/ $\overline{\text{BSY}}$)	20

93AA56A/B/C, 93LC56A/B/C, 93C56A/B/C

2.0 FUNCTIONAL DESCRIPTION

When the ORG pin (93XX56C) pin is connected to VCC, the (x16) organization is selected. When it is connected to ground, the (x8) organization is selected. Instructions, addresses and write data are clocked into the DI pin on the rising edge of the clock (CLK). The DO pin is normally held in a High-Z state except when reading data from the device or when checking the Ready/Busy status during a programming operation. The Ready/Busy status can be verified during an Erase/Write operation by polling the DO pin; DO low indicates that programming is still in progress, while DO high indicates the device is ready. DO will enter the High-Z state on the falling edge of CS.

2.1 Start Condition

The Start bit is detected by the device if CS and DI are both high with respect to the positive edge of CLK for the first time.

Before a Start condition is detected, CS, CLK and DI may change in any combination (except to that of a Start condition), without resulting in any device operation (Read, Write, Erase, EWEN, EWDS, ERAL or WRAL). As soon as CS is high, the device is no longer in Standby mode.

An instruction following a Start condition will only be executed if the required opcode, address and data bits for any particular instruction are clocked in.

Note: When preparing to transmit an instruction, either the CLK or DI signal levels must be at a logic low as CS is toggled active-high.

2.2 Data In/Data Out (DI/DO)

It is possible to connect the Data In and Data Out pins together. However, with this configuration it is possible for a "bus conflict" to occur during the "dummy zero" that precedes the read operation if A0 is a logic high level. Under such a condition, the voltage level seen at Data Out is undefined and will depend upon the relative impedances of Data Out and the signal source driving A0. The higher the current sourcing capability of A0, the higher the voltage at the Data Out pin. To limit this current, a resistor should be connected between DI and DO.

2.3 Data Protection

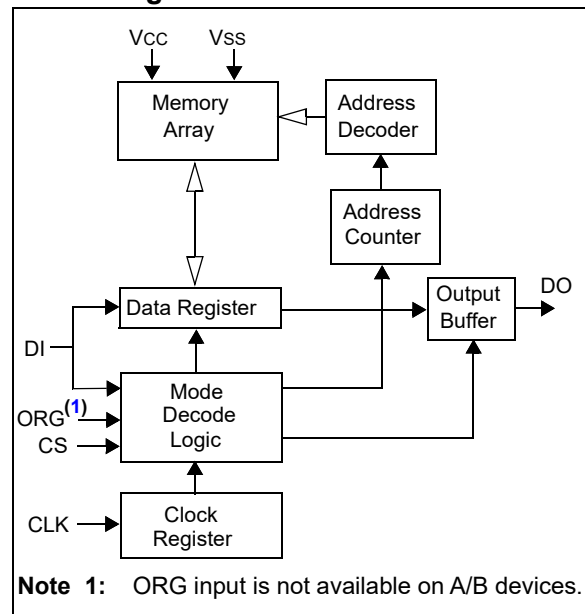
All modes of operation are inhibited when VCC is below a typical voltage of 1.5V for '93AA' and '93LC' devices or 3.8V for '93C' devices.

The EWEN and EWDS commands give additional protection against accidentally programming during normal operation.

Note: For added protection, an EWDS command should be performed after every write operation and an external 10 kΩ pull-down protection resistor should be added to the CS pin.

After power-up, the device is automatically in the EWDS mode. Therefore, an EWEN instruction must be performed before the initial ERASE or WRITE instruction can be executed.

Block Diagram



93AA56A/B/C, 93LC56A/B/C, 93C56A/B/C

2.4 Erase

The ERASE instruction forces all data bits of the specified address to the logical '1' state. CS is brought low following the loading of the last address bit. This falling edge of the CS pin initiates the self-timed programming cycle, except on '93C' devices where the rising edge of CLK before the last address bit initiates the write cycle.

The DO pin indicates the Ready/Busy status of the device if CS is brought high after a minimum of 250 ns low (TCSL). DO at logical '0' indicates that programming is still in progress. DO at logical '1' indicates that the register at the specified address has been erased and the device is ready for another instruction.

Note: After the Erase cycle is complete, issuing a Start bit and then taking CS low will clear the Ready/Busy status from DO.

FIGURE 2-1: ERASE TIMING FOR 93AA AND 93LC DEVICES

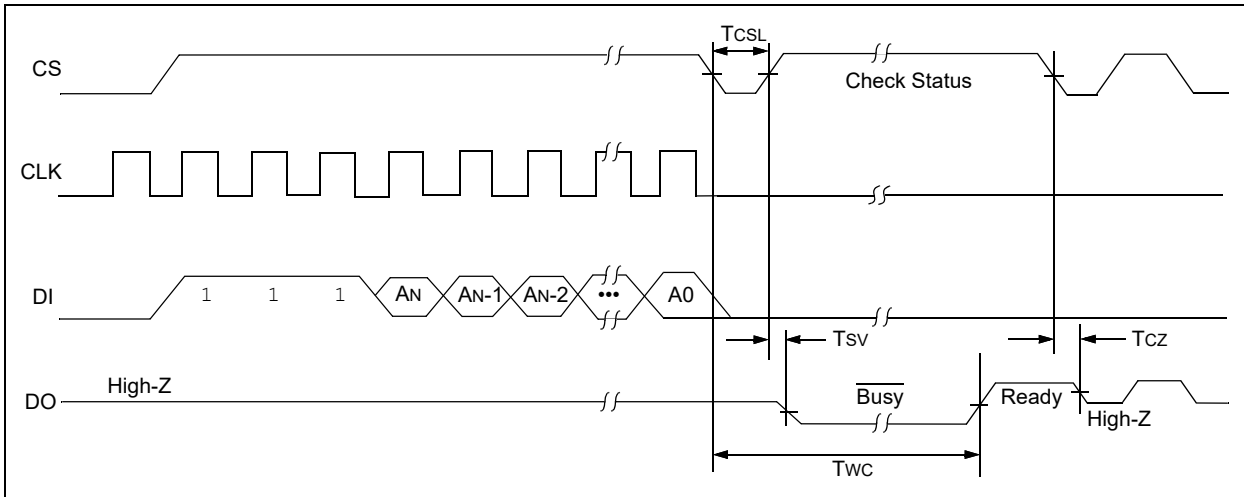
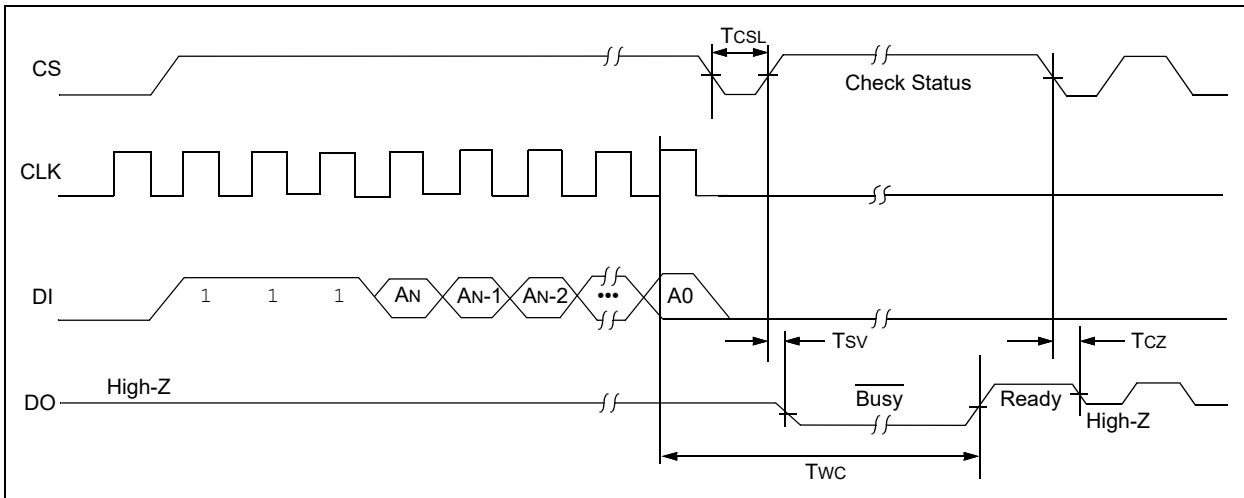


FIGURE 2-2: ERASE TIMING FOR 93C DEVICES



93AA56A/B/C, 93LC56A/B/C, 93C56A/B/C

2.5 Erase All (ERAL)

The Erase All (ERAL) instruction will erase the entire memory array to the logical '1' state. The ERAL cycle is identical to the erase cycle, except for the different opcode. The ERAL cycle is completely self-timed and commences at the falling edge of the CS, except on '93C' devices where the rising edge of CLK before the last data bit initiates the write cycle. Clocking of the CLK pin is not necessary after the device has entered the ERAL cycle.

The DO pin indicates the Ready/Busy status of the device, if CS is brought high after a minimum of 250 ns low (TCSL).

Note: After the ERAL command is complete, issuing a Start bit and then taking CS low will clear the Ready/Busy status from DO.

VCC must be $\geq 4.5V$ for proper operation of ERAL.

FIGURE 2-3: ERAL TIMING FOR 93AA AND 93LC DEVICES

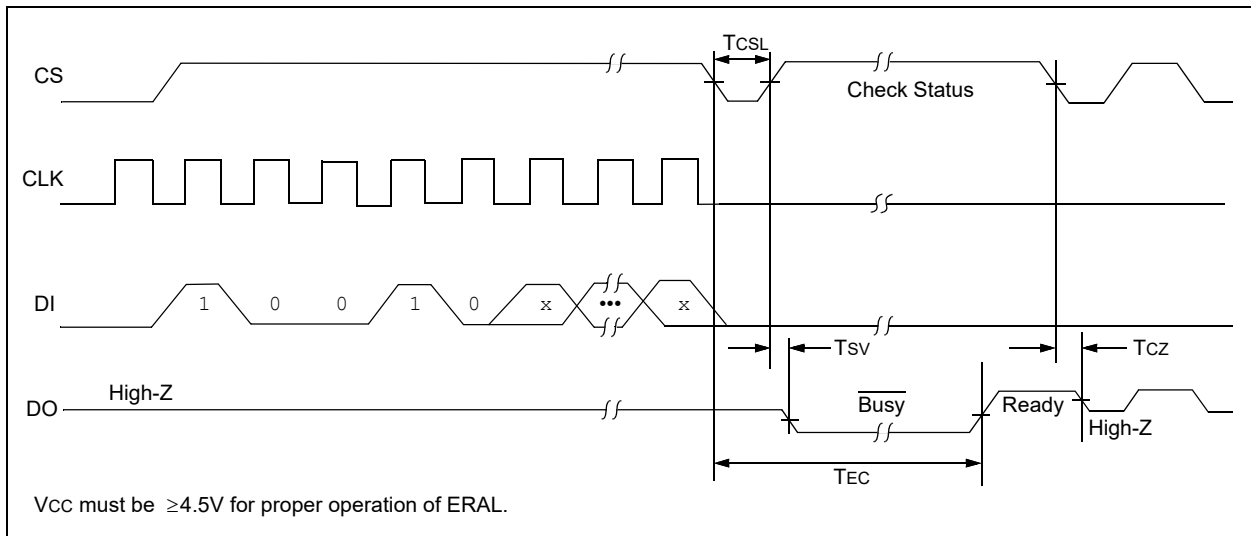
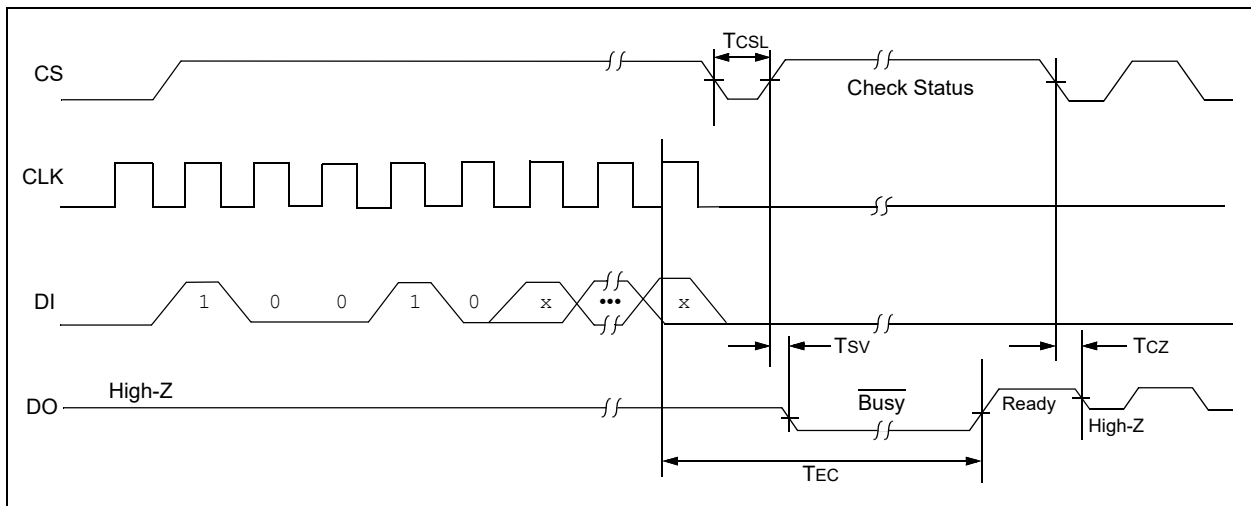


FIGURE 2-4: ERAL TIMING FOR 93C DEVICES



93AA56A/B/C, 93LC56A/B/C, 93C56A/B/C

2.6 Erase/Write Disable and Enable (EWDS/EWEN)

The 93XX56A/B/C powers up in the Erase/Write Disable (EWDS) state. All programming modes must be preceded by an Erase/Write Enable (EWEN) instruction.

Once the EWEN instruction is executed, programming remains enabled until an EWDS instruction is executed or Vcc is removed from the device.

To protect against accidental data disturbance, the EWDS instruction can be used to disable all erase/write functions and should follow all programming operations. Execution of a READ instruction is independent of both the EWEN and EWDS instructions.

FIGURE 2-5: EWDS TIMING

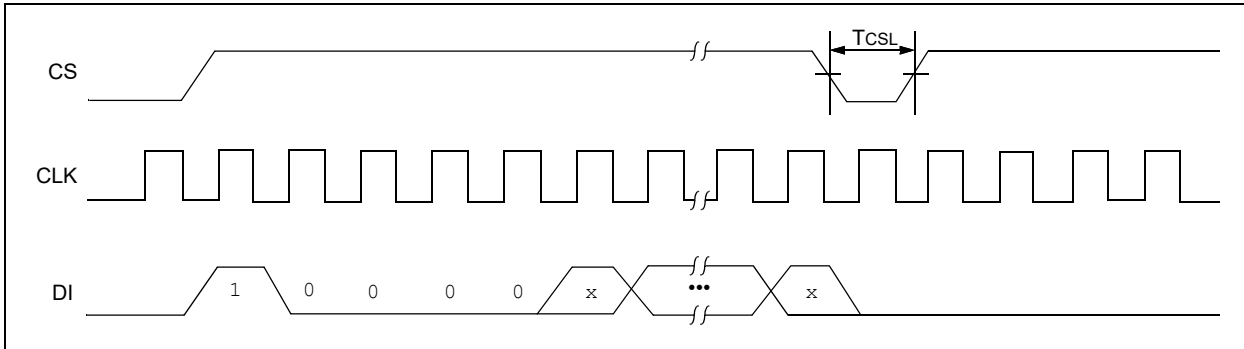
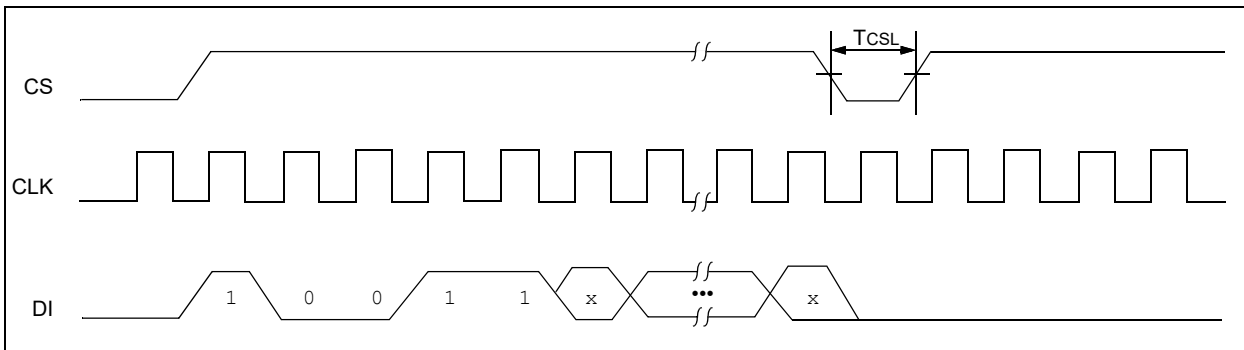


FIGURE 2-6: EWEN TIMING

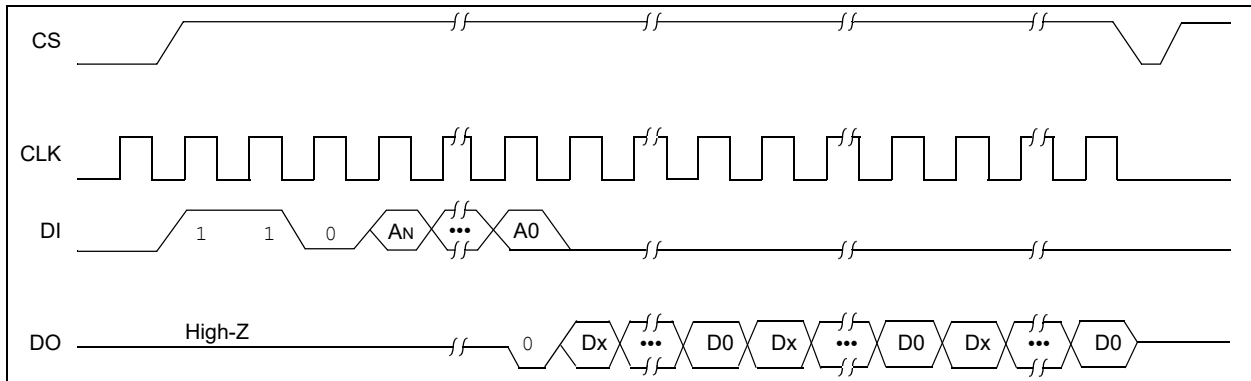


2.7 Read

The READ instruction outputs the serial data of the addressed memory location on the DO pin. A dummy zero bit precedes the 8-bit (if ORG pin is low or A-version devices) or 16-bit (if ORG pin is high or B-version devices) output string. The output data bits will toggle on the rising edge of the CLK and are stable after the specified time delay (TPD). Sequential read is possible when CS is held high. The memory data will automatically cycle to the next register and output sequentially.

93AA56A/B/C, 93LC56A/B/C, 93C56A/B/C

FIGURE 2-7: READ TIMING



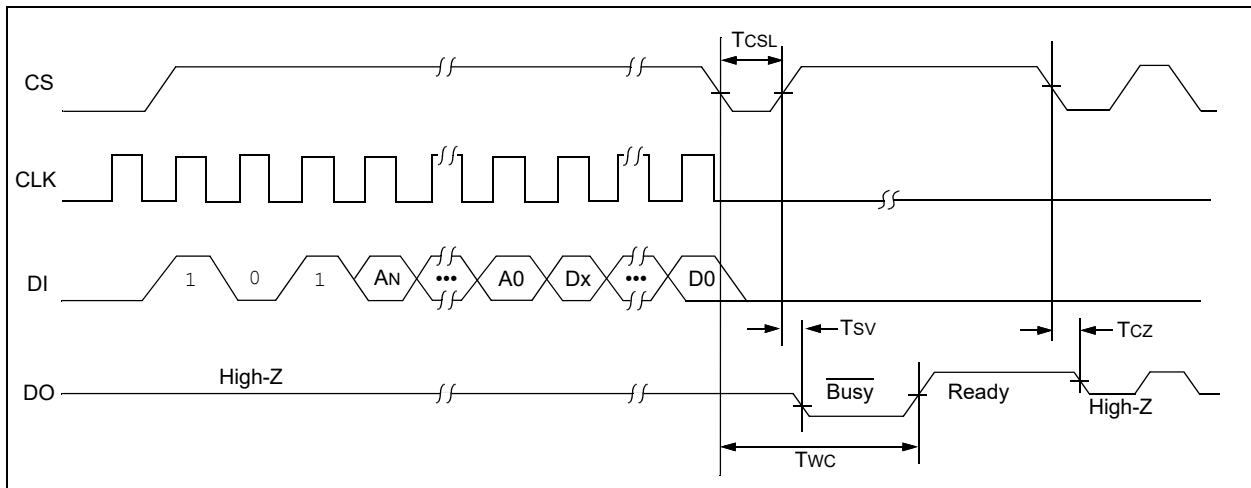
2.8 Write

The `WRITE` instruction is followed by 8 bits (if `ORG` is low or A-version devices) or 16 bits (if `ORG` pin is high or B-version devices) of data which are written into the specified address. For 93AA56A/B/C and 93LC56A/B/C devices, after the last data bit is clocked into DI, the falling edge of CS initiates the self-timed auto-erase and programming cycle. For 93C56A/B/C devices, the self-timed auto-erase and programming cycle is initiated by the rising edge of CLK on the last data bit.

The DO pin indicates the Ready/Busy status of the device if CS is brought high after a minimum of 250 ns low (T_{CSL}). DO at logical '0' indicates that programming is still in progress. DO at logical '1' indicates that the register at the specified address has been written with the data specified and the device is ready for another instruction.

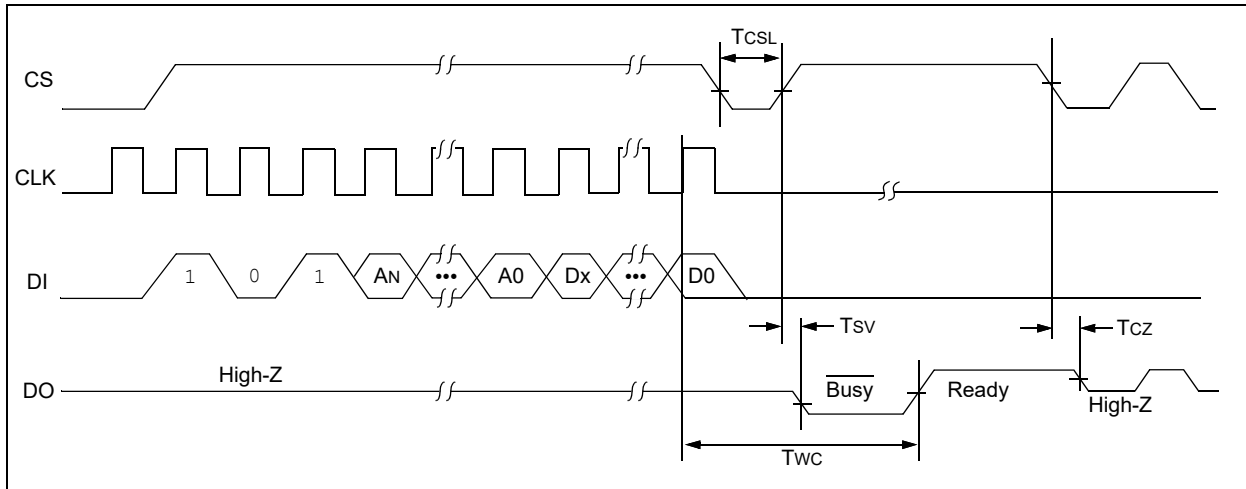
Note: After the Write cycle is complete, issuing a Start bit and then taking CS low will clear the Ready/Busy status from DO.

FIGURE 2-8: WRITE TIMING FOR 93AA AND 93LC DEVICES



93AA56A/B/C, 93LC56A/B/C, 93C56A/B/C

FIGURE 2-9: WRITE TIMING FOR 93C DEVICES



93AA56A/B/C, 93LC56A/B/C, 93C56A/B/C

2.9 Write All (WRAL)

The Write All (WRAL) instruction will write the entire memory array with the data specified in the command. For 93AA56A/B/C and 93LC56A/B/C devices, after the last data bit is clocked into DI, the falling edge of CS initiates the self-timed auto-erase and programming cycle. For 93C56A/B/C devices, the self-timed auto-erase and programming cycle is initiated by the rising edge of CLK on the last data bit. Clocking of the CLK pin is not necessary after the device has entered the WRAL cycle. The WRAL command does include an automatic ERAL cycle for the device. Therefore, the WRAL instruction does not require an ERAL instruction, but the chip must be in the EWEN status.

The DO pin indicates the Ready/Busy status of the device if CS is brought high after a minimum of 250 ns low (TCSL).

Note: After the Write All cycle is complete, issuing a Start bit and then taking CS low will clear the Ready/Busy status from DO.

VCC must be $\geq 4.5V$ for proper operation of WRAL.

FIGURE 2-10: WRAL TIMING FOR 93AA AND 93LC DEVICES

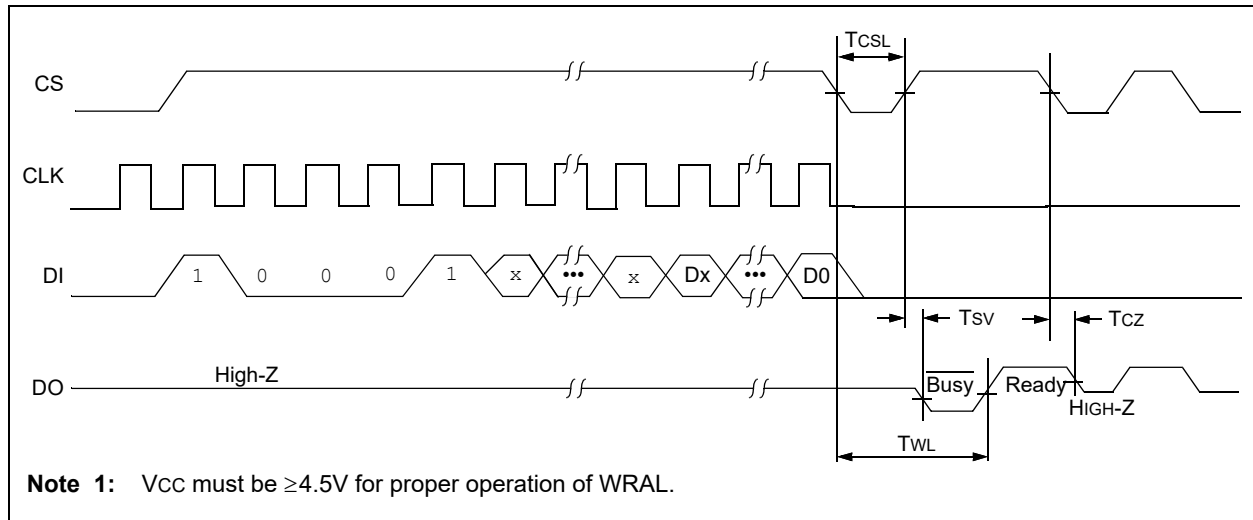
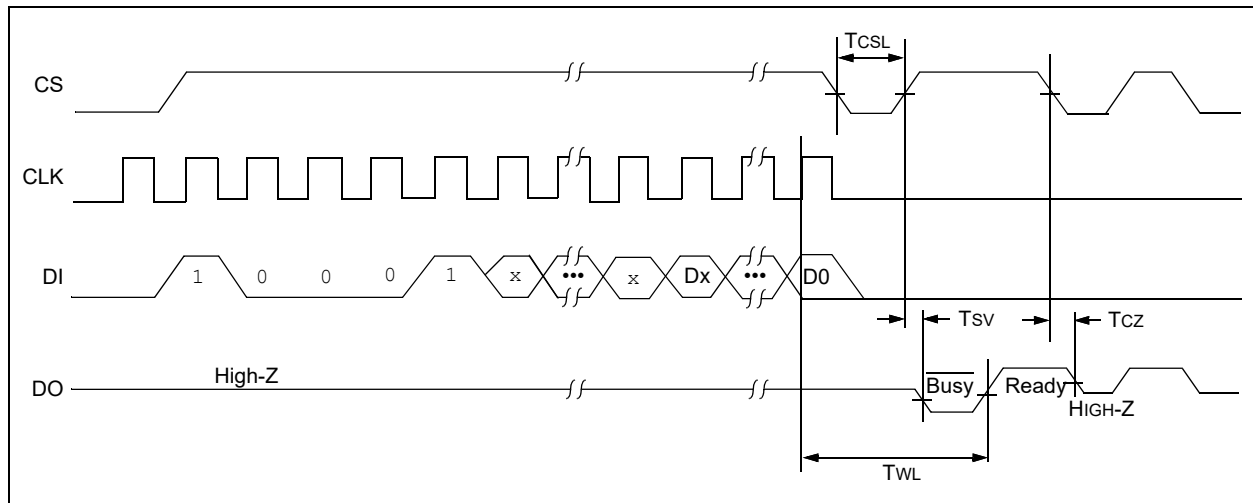


FIGURE 2-11: WRAL TIMING FOR 93C DEVICES



93AA56A/B/C, 93LC56A/B/C, 93C56A/B/C

3.0 PIN DESCRIPTIONS

TABLE 3-1: PIN DESCRIPTIONS

Name	DFN ⁽¹⁾	MSOP	PDIP	SOIC	Rotated SOIC	SOT-23	TDFN ⁽¹⁾	TSSOP	Function
CS	1	1	1	1	3	5	1	1	Chip Select
CLK	2	2	2	2	4	4	2	2	Serial Clock
DI	3	3	3	3	5	3	3	3	Data In
DO	4	4	4	4	6	1	4	4	Data Out
Vss	5	5	5	5	7	2	5	5	Ground
ORG/NC	6	6	6	6	8	—	6	6	Organization/93XX56C No Internal Connection/93XX56A/B
NC	7	7	7	7	1	—	7	7	No Internal Connection
Vcc	8	8	8	8	2	6	8	8	Power Supply

Note 1: The exposed pad on the DFN/TDFN packages may be connected to Vss or left floating.

3.1 Chip Select (CS)

A high level selects the device; a low level deselects the device and forces it into Standby mode. However, a programming cycle that is already in progress will be completed regardless of the Chip Select (CS) input signal. If CS is brought low during a program cycle, the device will go into Standby mode as soon as the programming cycle is completed.

CS must be low for 250 ns minimum (T_{CSL}) between consecutive instructions. If CS is low, the internal control logic is held in a Reset status.

3.2 Serial Clock (CLK)

The Serial Clock is used to synchronize the communication between a host device and the 93XX series device. Opcodes, address and data bits are clocked in on the positive edge of CLK. Data bits are also clocked out on the positive edge of CLK.

CLK can be stopped anywhere in the transmission sequence (at high or low level) and can be continued anytime with respect to Clock High Time (T_{CKH}) and Clock Low Time (T_{CKL}). This gives the controlling host freedom in preparing opcode, address and data.

CLK is a “don’t care” if CS is low (device deselected). If CS is high, but the Start condition has not been detected (DI = 0), any number of clock cycles can be received by the device without changing its status (i.e., waiting for a Start condition).

CLK cycles are not required during the self-timed write (i.e., auto erase/write) cycle.

After detection of a Start condition the specified number of clock cycles (respectively low-to-high transitions of CLK) must be provided. These clock cycles are required to clock in all required opcode, address and

data bits before an instruction is executed. CLK and DI then become “don’t care” inputs waiting for a new Start condition to be detected.

3.3 Data In (DI)

Data In (DI) is used to clock in a Start bit, opcode, address and data synchronously with the CLK input.

3.4 Data Out (DO)

Data Out (DO) is used in the Read mode to output data synchronously with the CLK input (T_{PD} after the positive edge of CLK).

This pin also provides Ready/Busy status information during erase and write cycles. Ready/Busy status information is available on the DO pin if CS is brought high after being low for minimum Chip Select low time (T_{CSL}) and an erase or write operation has been initiated.

The Status signal is not available on DO if CS is held low during the entire erase or write cycle. In this case, DO is in the High-Z mode. If status is checked after the erase/write cycle, the data line will be high to indicate the device is ready.

Note: After a programming cycle is complete, issuing a Start bit and then taking CS low will clear the Ready/Busy status from DO.

3.5 Organization (ORG)

When the ORG pin is connected to Vcc or Logic HI, the (x16) memory organization is selected. When the ORG pin is tied to Vss or Logic LO, the (x8) memory organization is selected. For proper operation, ORG must be tied to a valid logic level.

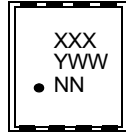
93XX56A devices are always (x8) organization and 93XX56B devices are always (x16) organization.

93AA56A/B/C, 93LC56A/B/C, 93C56A/B/C

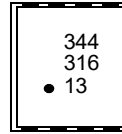
4.0 PACKAGING INFORMATION

4.1 Package Marking Information

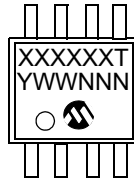
8-Lead 2x3 DFN



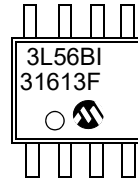
Example



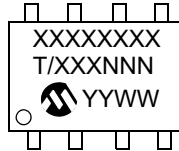
8-Lead MSOP (150 mil)



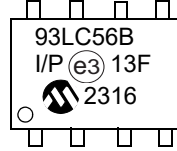
Example



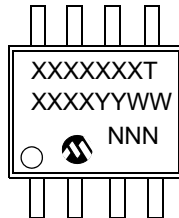
8-Lead PDIP



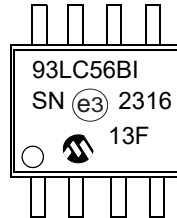
Example



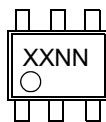
8-Lead SOIC



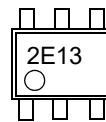
Example



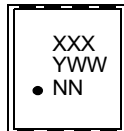
6-Lead SOT-23



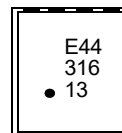
Example



8-Lead 2x3 TDFN



Example



8-Lead TSSOP



Example



93AA56A/B/C, 93LC56A/B/C, 93C56A/B/C

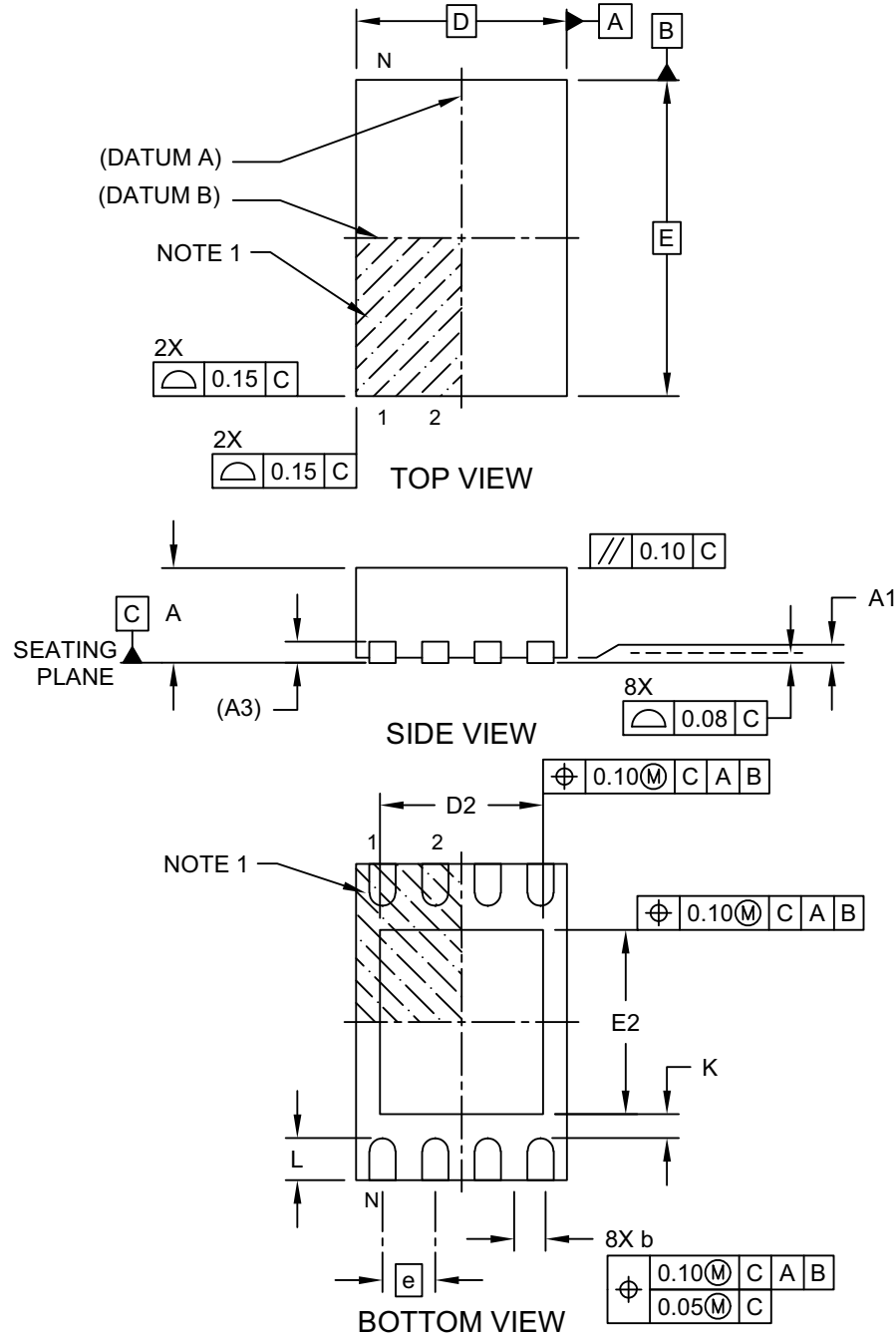
Part Number	1 st Line Marking Codes									
	TSSOP	MSOP	SOIC	Rotated SOIC	SOT-23		DFN		TDFN	
					I Temp.	E Temp.	I Temp.	E Temp.	I Temp.	E Temp.
93AA56A	A56A	3A56AT	93AA56AT	93A56AXT	2BNN	—	331	—	E31	—
93AA56B	A56B	3A56BT	93AA56BT	93A56BXT	2LNN	—	341	—	E41	—
93AA56C	A56C	3A56CT	93AA56CT	93A56CXT	—	—	351	—	E51	—
93LC56A	L56A	3L56AT	93LC56AT	93L56AXT	2ENN	2FNN	334	—	E34	E35
93LC56B	L56B	3L56BT	93LC56BT	93L56BXT	2PNN	2RNN	344	—	E44	E45
93LC56C	L56C	3L56CT	93LC56CT	93L56CXT	—	—	354	355	E54	E55
93C56A	C56A	3C56AT	93C56AT	—	2HNN	2JNN	337	—	E37	E38
93C56B	C56B	3C56BT	93C56BT	—	2TNN	2UNN	347	—	E47	E48
93C56C	C56C	3C56CT	93C56CT	—	—	—	357	—	E57	E58

Legend:	XX...X	Part number or part number code
	T	Temperature (I, E)
	Y	Year code (last digit of calendar year)
	YY	Year code (last 2 digits of calendar year)
	WW	Week code (week of January 1 is week '01')
	NNN	Alphanumeric traceability code (2 characters for small packages)
	(e3)	RoHS Compliant JEDEC [®] designator for Matte Tin (Sn)
Note:	For very small packages with no room for the RoHS Compliant JEDEC [®] designator (e3), the marking will only appear on the outer carton or reel label.	
Note:	In the event the full Microchip part number cannot be marked on one line, it will be carried over to the next line, thus limiting the number of available characters for customer-specific information.	

93AA56A/B/C, 93LC56A/B/C, 93C56A/B/C

8-Lead Plastic Dual Flat, No Lead Package (MC) - 2x3x1 mm Body [DFN]

Note: For the most current package drawings, please see the Microchip Packaging Specification located at <http://www.microchip.com/packaging>

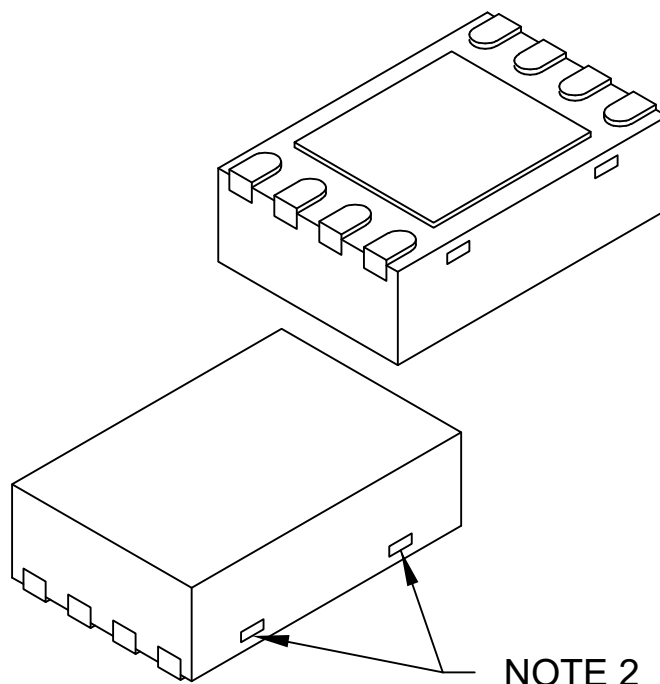


Microchip Technology Drawing C04-123 Rev E Sheet 1 of 2

93AA56A/B/C, 93LC56A/B/C, 93C56A/B/C

8-Lead Plastic Dual Flat, No Lead Package (MC) - 2x3x1 mm Body [DFN]

Note: For the most current package drawings, please see the Microchip Packaging Specification located at <http://www.microchip.com/packaging>



Dimension Limits	Units	MILLIMETERS		
		MIN	NOM	MAX
Number of Terminals	N	8		
Pitch	e	0.50 BSC		
Overall Height	A	0.80	0.90	1.00
Standoff	A1	0.00	0.02	0.05
Terminal Thickness	A3	0.20 REF		
Overall Length	D	2.00 BSC		
Exposed Pad Length	D2	1.30	-	1.55
Overall Width	E	3.00 BSC		
Exposed Pad Width	E2	1.50	-	1.75
Terminal Width	b	0.20	0.25	0.30
Terminal Length	L	0.30	0.40	0.50
Terminal-to-Exposed-Pad	K	0.20	-	-

Notes:

1. Pin 1 visual index feature may vary, but must be located within the hatched area.
2. Package may have one or more exposed tie bars at ends.
3. Package is saw singulated
4. Dimensioning and tolerancing per ASME Y14.5M

BSC: Basic Dimension. Theoretically exact value shown without tolerances.

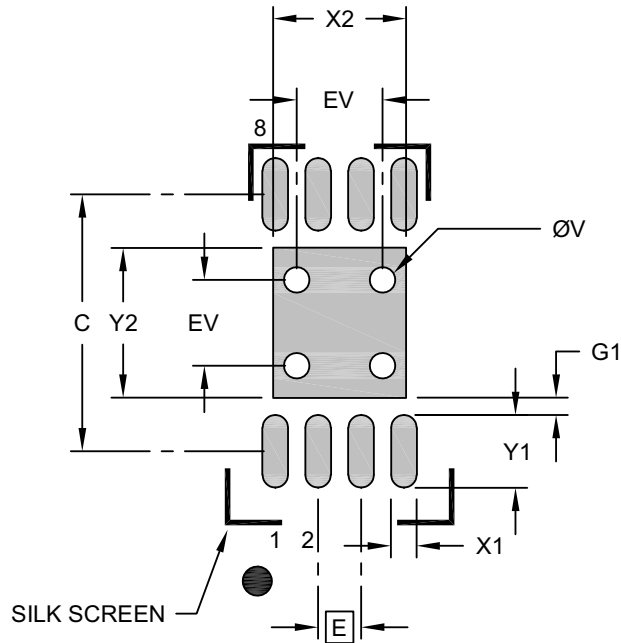
REF: Reference Dimension, usually without tolerance, for information purposes only.

Microchip Technology Drawing C04-123 Rev E Sheet 2 of 2

93AA56A/B/C, 93LC56A/B/C, 93C56A/B/C

8-Lead Plastic Dual Flat, No Lead Package (MC) - 2x3x1 mm Body [DFN]

Note: For the most current package drawings, please see the Microchip Packaging Specification located at <http://www.microchip.com/packaging>



RECOMMENDED LAND PATTERN

Dimension Limits	Units	MILLIMETERS		
		MIN	NOM	MAX
Contact Pitch	E	0.50 BSC		
Optional Center Pad Width	X2			1.55
Optional Center Pad Length	Y2			1.75
Contact Pad Spacing	C		3.00	
Contact Pad Width (X8)	X1			0.30
Contact Pad Length (X8)	Y1			0.85
Contact Pad to Center Pad (X8)	G1	0.20		
Thermal Via Diameter	V		0.30	
Thermal Via Pitch	EV		1.00	

Notes:

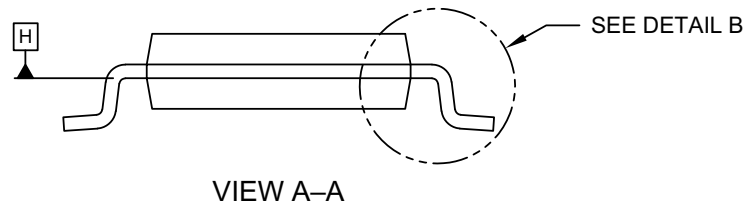
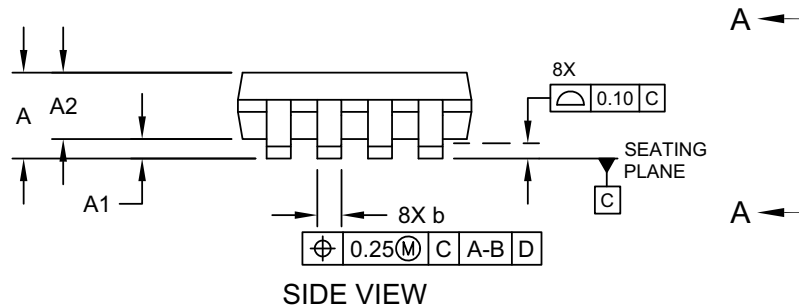
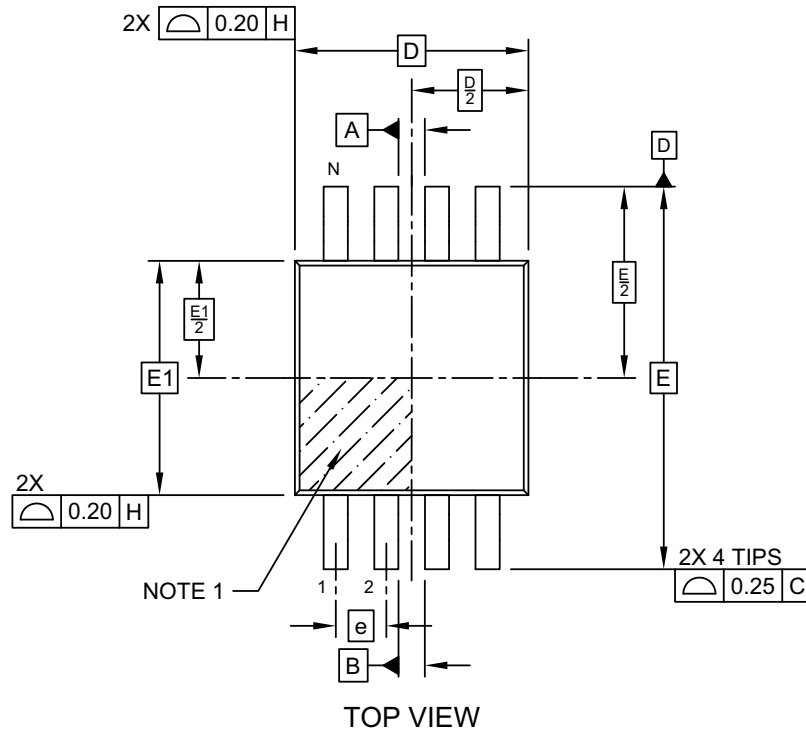
1. Dimensioning and tolerancing per ASME Y14.5M
BSC: Basic Dimension. Theoretically exact value shown without tolerances.
2. For best soldering results, thermal vias, if used, should be filled or tented to avoid solder loss during reflow process

Microchip Technology Drawing C04-2123 Rev E

93AA56A/B/C, 93LC56A/B/C, 93C56A/B/C

8-Lead Plastic Micro Small Outline Package (MS) - 3x3 mm Body [MSOP]

Note: For the most current package drawings, please see the Microchip Packaging Specification located at <http://www.microchip.com/packaging>

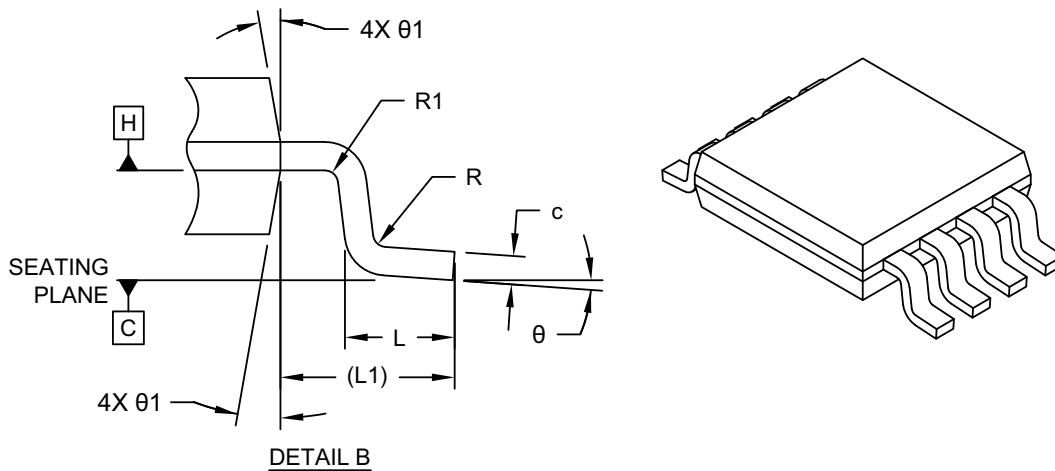


Microchip Technology Drawing C04-111-MS Rev F Sheet 1 of 2

93AA56A/B/C, 93LC56A/B/C, 93C56A/B/C

8-Lead Plastic Micro Small Outline Package (MS) - 3x3 mm Body [MSOP]

Note: For the most current package drawings, please see the Microchip Packaging Specification located at <http://www.microchip.com/packaging>



Dimension Limits	Units	MILLIMETERS		
		MIN	NOM	MAX
Number of Terminals	N	8		
Pitch	e	0.65 BSC		
Overall Height	A	–	–	1.10
Standoff	A1	0.00	–	0.15
Molded Package Thickness	A2	0.75	0.85	0.95
Overall Length	D	3.00 BSC		
Overall Width	E	4.90 BSC		
Molded Package Width	E1	3.00 BSC		
Terminal Width	b	0.22	–	0.40
Terminal Thickness	c	0.08	–	0.23
Terminal Length	L	0.40	0.60	0.80
Footprint	L1	0.95 REF		
Lead Bend Radius	R	0.07	–	–
Lead Bend Radius	R1	0.07	–	–
Foot Angle	θ	0°	–	8°
Mold Draft Angle	θ1	5°	–	15°

Notes:

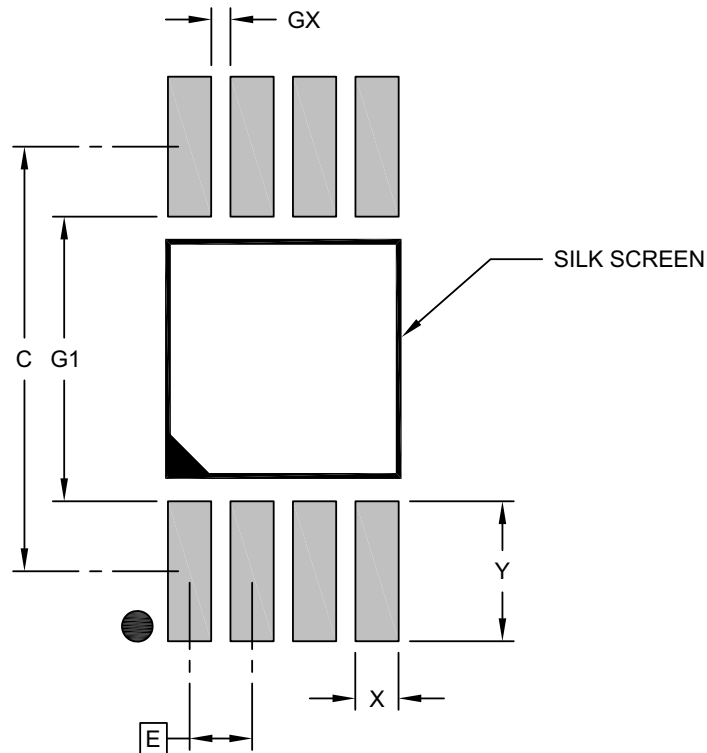
- Pin 1 visual index feature may vary, but must be located within the hatched area.
- Dimensions D and E1 do not include mold flash or protrusions. Mold flash or protrusions shall not exceed 0.15mm per side.
- Dimensioning and tolerancing per ASME Y14.5M
 BSC: Basic Dimension. Theoretically exact value shown without tolerances.
 REF: Reference Dimension, usually without tolerance, for information purposes only.

Microchip Technology Drawing C04-111-MS Rev F Sheet 2 of 2

93AA56A/B/C, 93LC56A/B/C, 93C56A/B/C

8-Lead Plastic Micro Small Outline Package (MS) - 3x3 mm Body [MSOP]

Note: For the most current package drawings, please see the Microchip Packaging Specification located at <http://www.microchip.com/packaging>



RECOMMENDED LAND PATTERN

Dimension Limits	Units	MILLIMETERS		
		MIN	NOM	MAX
Contact Pitch	E	0.65 BSC		
Contact Pad Spacing	C		4.40	
Contact Pad Width (X8)	X			0.45
Contact Pad Length (X8)	Y			1.45
Contact Pad to Contact Pad (X4)	G1	2.95		
Contact Pad to Contact Pad (X6)	GX	0.20		

Notes:

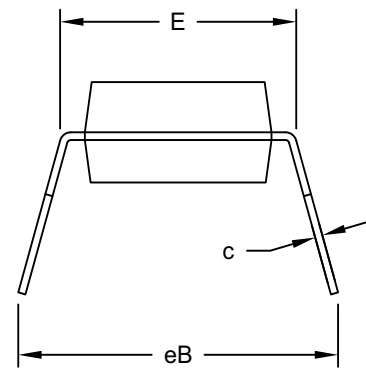
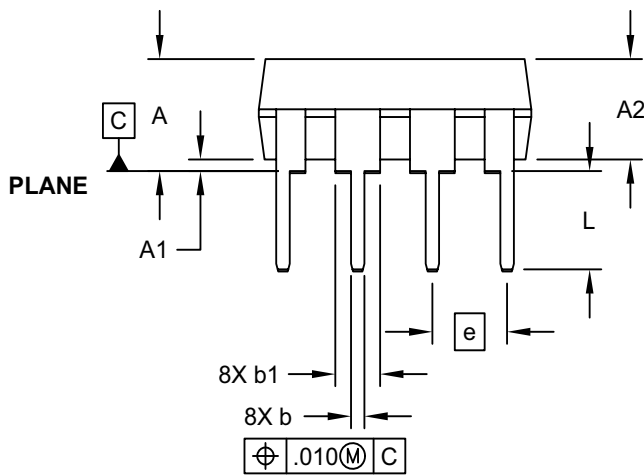
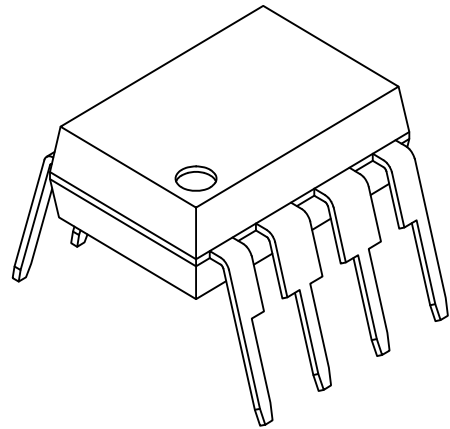
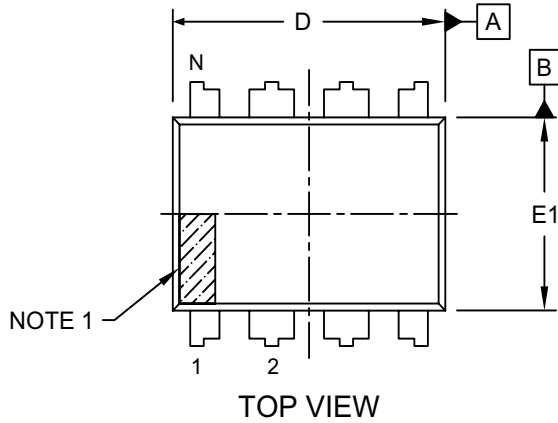
1. Dimensioning and tolerancing per ASME Y14.5M
BSC: Basic Dimension. Theoretically exact value shown without tolerances.

Microchip Technology Drawing C04-2111-MS Rev F

93AA56A/B/C, 93LC56A/B/C, 93C56A/B/C

8-Lead Plastic Dual In-Line (P) - 300 mil Body [PDIP]

Note: For the most current package drawings, please see the Microchip Packaging Specification located at <http://www.microchip.com/packaging>



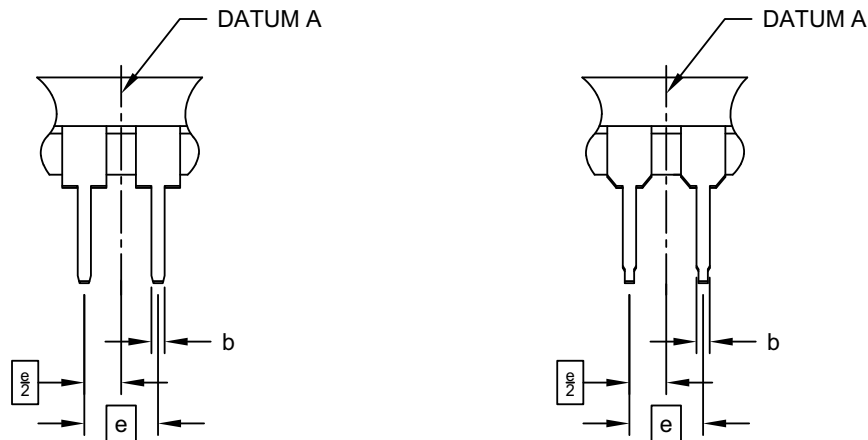
Microchip Technology Drawing No. C04-018-P Rev F Sheet 1 of 2

93AA56A/B/C, 93LC56A/B/C, 93C56A/B/C

8-Lead Plastic Dual In-Line (P) - 300 mil Body [PDIP]

Note: For the most current package drawings, please see the Microchip Packaging Specification located at <http://www.microchip.com/packaging>

ALTERNATE LEAD DESIGN (NOTE 5)



Dimension Limits	Units	INCHES		
		MIN	NOM	MAX
Number of Pins	N	8		
Pitch	e	.100 BSC		
Top to Seating Plane	A	-	-	.210
Molded Package Thickness	A2	.115	.130	.195
Base to Seating Plane	A1	.015	-	-
Shoulder to Shoulder Width	E	.290	.310	.325
Molded Package Width	E1	.240	.250	.280
Overall Length	D	.348	.365	.400
Tip to Seating Plane	L	.115	.130	.150
Lead Thickness	c	.008	.010	.015
Upper Lead Width	b1	.040	.060	.070
Lower Lead Width	b	.014	.018	.022
Overall Row Spacing	§ eB	-	-	.430

Notes:

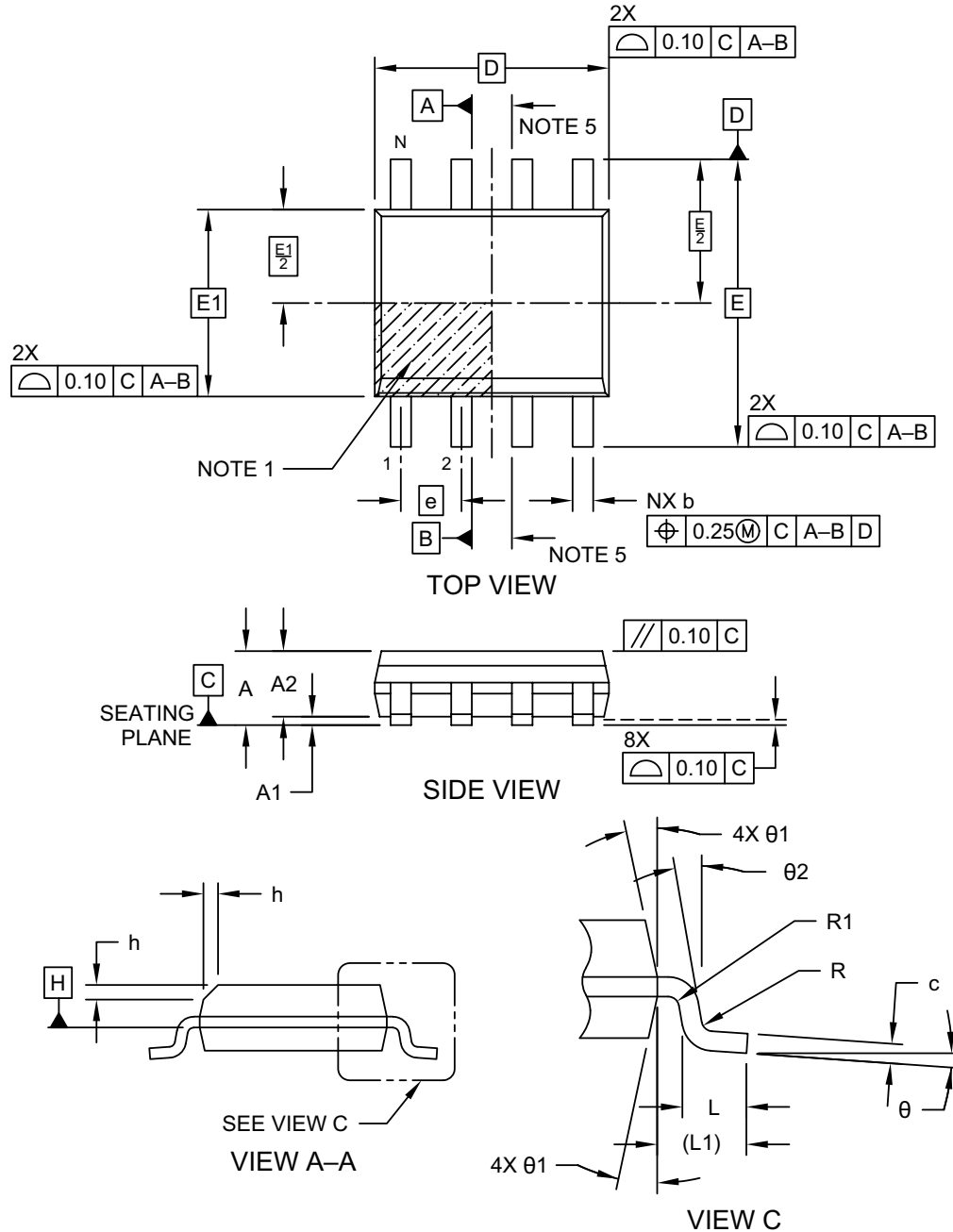
- Pin 1 visual index feature may vary, but must be located within the hatched area.
- § Significant Characteristic
- Dimensions D and E1 do not include mold flash or protrusions. Mold flash or protrusions shall not exceed .010" per side.
- Dimensioning and tolerancing per ASME Y14.5M
BSC: Basic Dimension. Theoretically exact value shown without tolerances.
- Lead design above seating plane may vary, based on assembly vendor.

Microchip Technology Drawing No. C04-018-P Rev F Sheet 2 of 2

93AA56A/B/C, 93LC56A/B/C, 93C56A/B/C

8-Lead Plastic Small Outline (SN) - Narrow, 3.90 mm (.150 In.) Body [SOIC]

Note: For the most current package drawings, please see the Microchip Packaging Specification located at <http://www.microchip.com/packaging>

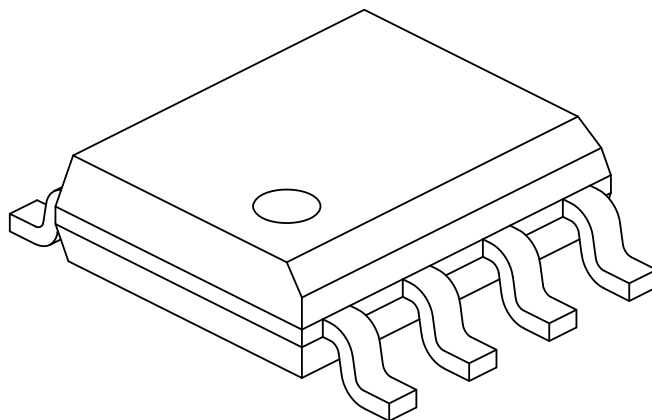


Microchip Technology Drawing No. C04-057-SN Rev K Sheet 1 of 2

93AA56A/B/C, 93LC56A/B/C, 93C56A/B/C

8-Lead Plastic Small Outline (SN) - Narrow, 3.90 mm (.150 In.) Body [SOIC]

Note: For the most current package drawings, please see the Microchip Packaging Specification located at <http://www.microchip.com/packages>



Dimension Limits	Units	MILLIMETERS		
		MIN	NOM	MAX
Number of Pins	N	8		
Pitch	e	1.27 BSC		
Overall Height	A	–	–	1.75
Molded Package Thickness	A2	1.25	–	–
Standoff §	A1	0.10	–	0.25
Overall Width	E	6.00 BSC		
Molded Package Width	E1	3.90 BSC		
Overall Length	D	4.90 BSC		
Chamfer (Optional)	h	0.25	–	0.50
Foot Length	L	0.40	–	1.27
Footprint	L1	1.04 REF		
Lead Thickness	c	0.17	–	0.25
Lead Width	b	0.31	–	0.51
Lead Bend Radius	R	0.07	–	–
Lead Bend Radius	R1	0.07	–	–
Foot Angle	θ	0°	–	8°
Mold Draft Angle	θ1	5°	–	15°
Lead Angle	θ2	0°	–	–

Notes:

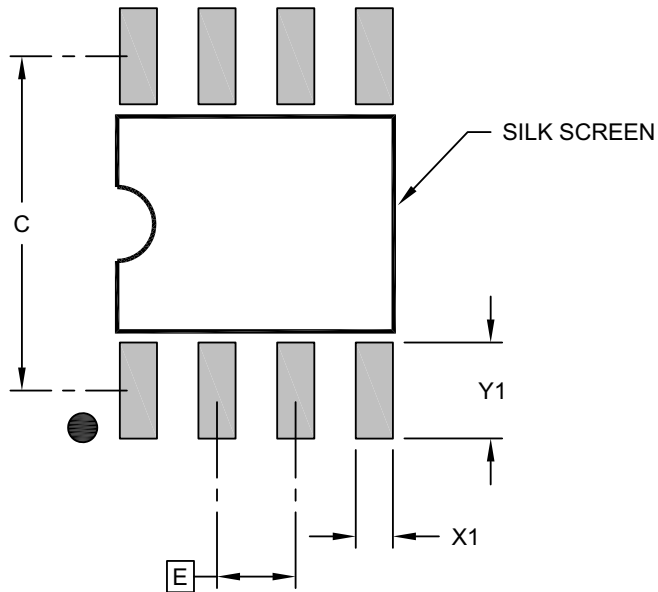
- Pin 1 visual index feature may vary, but must be located within the hatched area.
- § Significant Characteristic
- Dimensions D and E1 do not include mold flash or protrusions. Mold flash or protrusions shall not exceed 0.15mm per side.
- Dimensioning and tolerancing per ASME Y14.5M
 - BSC: Basic Dimension. Theoretically exact value shown without tolerances.
 - REF: Reference Dimension, usually without tolerance, for information purposes only.
- Datums A & B to be determined at Datum H.

Microchip Technology Drawing No. C04-057-SN Rev K Sheet 2 of 2

93AA56A/B/C, 93LC56A/B/C, 93C56A/B/C

8-Lead Plastic Small Outline (SN) - Narrow, 3.90 mm (.150 In.) Body [SOIC]

Note: For the most current package drawings, please see the Microchip Packaging Specification located at <http://www.microchip.com/packaging>



RECOMMENDED LAND PATTERN

Dimension Limits	Units	MILLIMETERS		
		MIN	NOM	MAX
Contact Pitch	E	1.27 BSC		
Contact Pad Spacing	C		5.40	
Contact Pad Width (X8)	X1			0.60
Contact Pad Length (X8)	Y1			1.55

Notes:

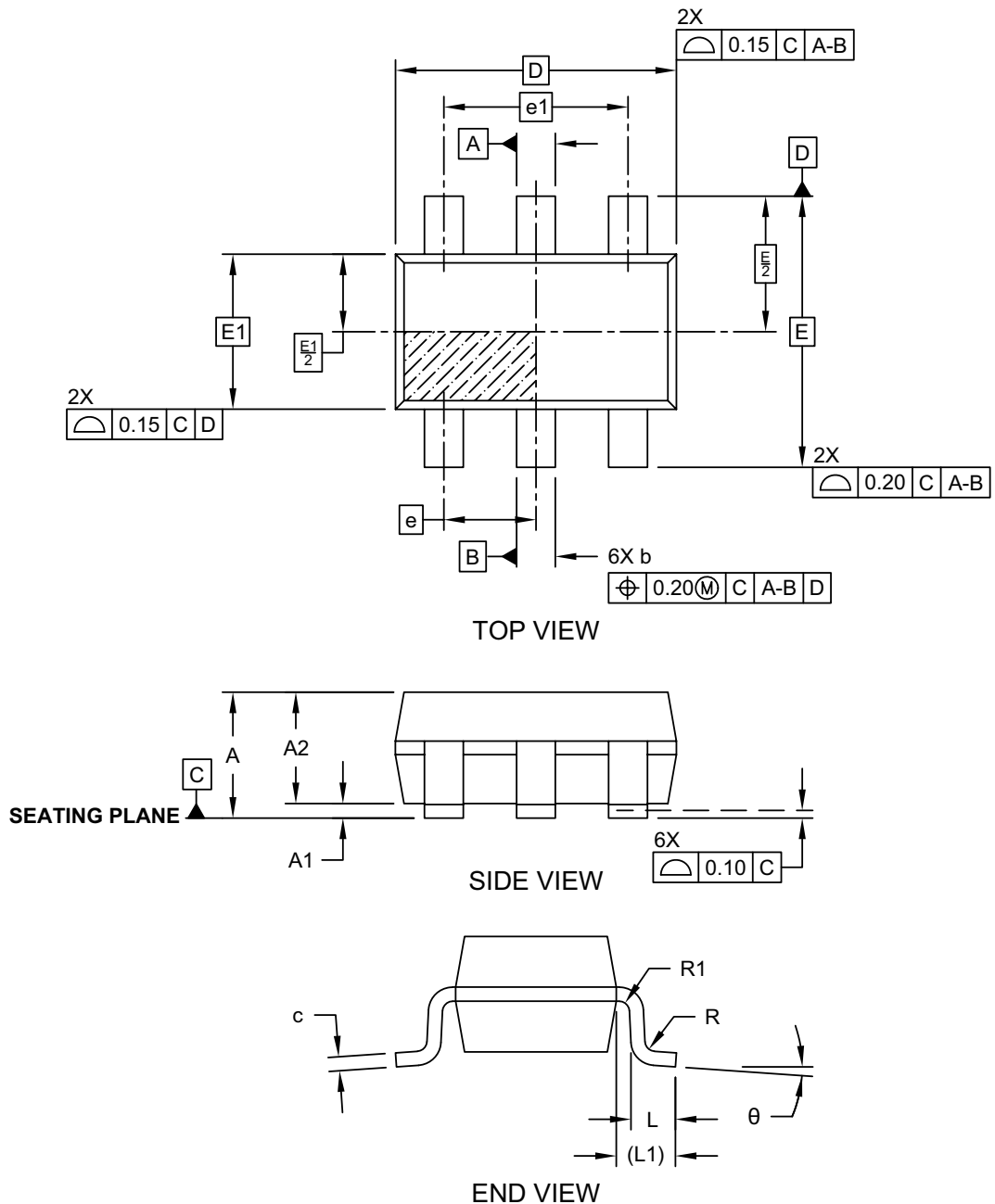
1. Dimensioning and tolerancing per ASME Y14.5M
BSC: Basic Dimension. Theoretically exact value shown without tolerances.

Microchip Technology Drawing C04-2057-SN Rev K

93AA56A/B/C, 93LC56A/B/C, 93C56A/B/C

6-Lead Plastic Small Outline Transistor (OT, OTY) [SOT-23]

Note: For the most current package drawings, please see the Microchip Packaging Specification located at <http://www.microchip.com/packaging>

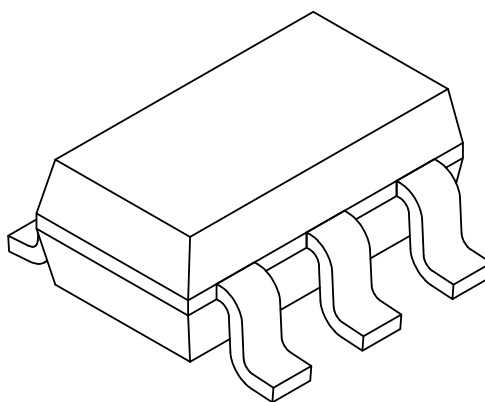


Microchip Technology Drawing C04-028-OT Rev E Sheet 1 of 2

93AA56A/B/C, 93LC56A/B/C, 93C56A/B/C

6-Lead Plastic Small Outline Transistor (OT, OTY) [SOT-23]

Note: For the most current package drawings, please see the Microchip Packaging Specification located at <http://www.microchip.com/packaging>



Dimension Limits	Units	MILLIMETERS		
		MIN	NOM	MAX
Number of Leads	N	6		
Pitch	e	0.95 BSC		
Outside lead pitch	e1	1.90 BSC		
Overall Height	A	0.90	-	1.45
Molded Package Thickness	A2	0.89	1.15	1.30
Standoff	A1	0.00	-	0.15
Overall Width	E	2.80 BSC		
Molded Package Width	E1	1.60 BSC		
Overall Length	D	2.90 BSC		
Foot Length	L	0.30	0.45	0.60
Footprint	L1	0.60 REF		
Foot Angle	θ	0°	-	10°
Lead Thickness	c	0.08	-	0.26
Lead Width	b	0.20	-	0.51

Notes:

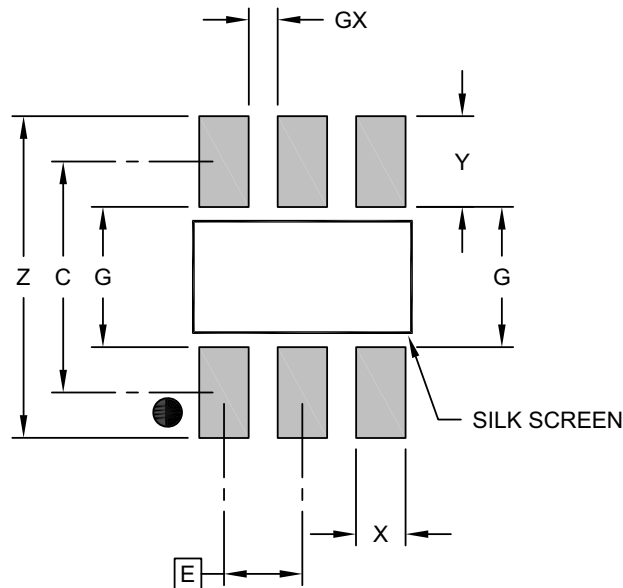
- Dimensions D and E1 do not include mold flash or protrusions. Mold flash or protrusions shall not exceed 0.25mm per side.
- Dimensioning and tolerancing per ASME Y14.5M
BSC: Basic Dimension. Theoretically exact value shown without tolerances.
REF: Reference Dimension, usually without tolerance, for information purposes only.

Microchip Technology Drawing C04-028-OT Rev E Sheet 2 of 2

93AA56A/B/C, 93LC56A/B/C, 93C56A/B/C

6-Lead Plastic Small Outline Transistor (OT, OTY) [SOT-23]

Note: For the most current package drawings, please see the Microchip Packaging Specification located at <http://www.microchip.com/packaging>



RECOMMENDED LAND PATTERN

Dimension Limits	Units	MILLIMETERS		
		MIN	NOM	MAX
Contact Pitch	E	0.95 BSC		
Contact Pad Spacing	C		2.80	
Contact Pad Width (X3)	X			0.60
Contact Pad Length (X3)	Y			1.10
Distance Between Pads	G	1.70		
Distance Between Pads	GX	0.35		
Overall Width	Z			3.90

Notes:

1. Dimensioning and tolerancing per ASME Y14.5M

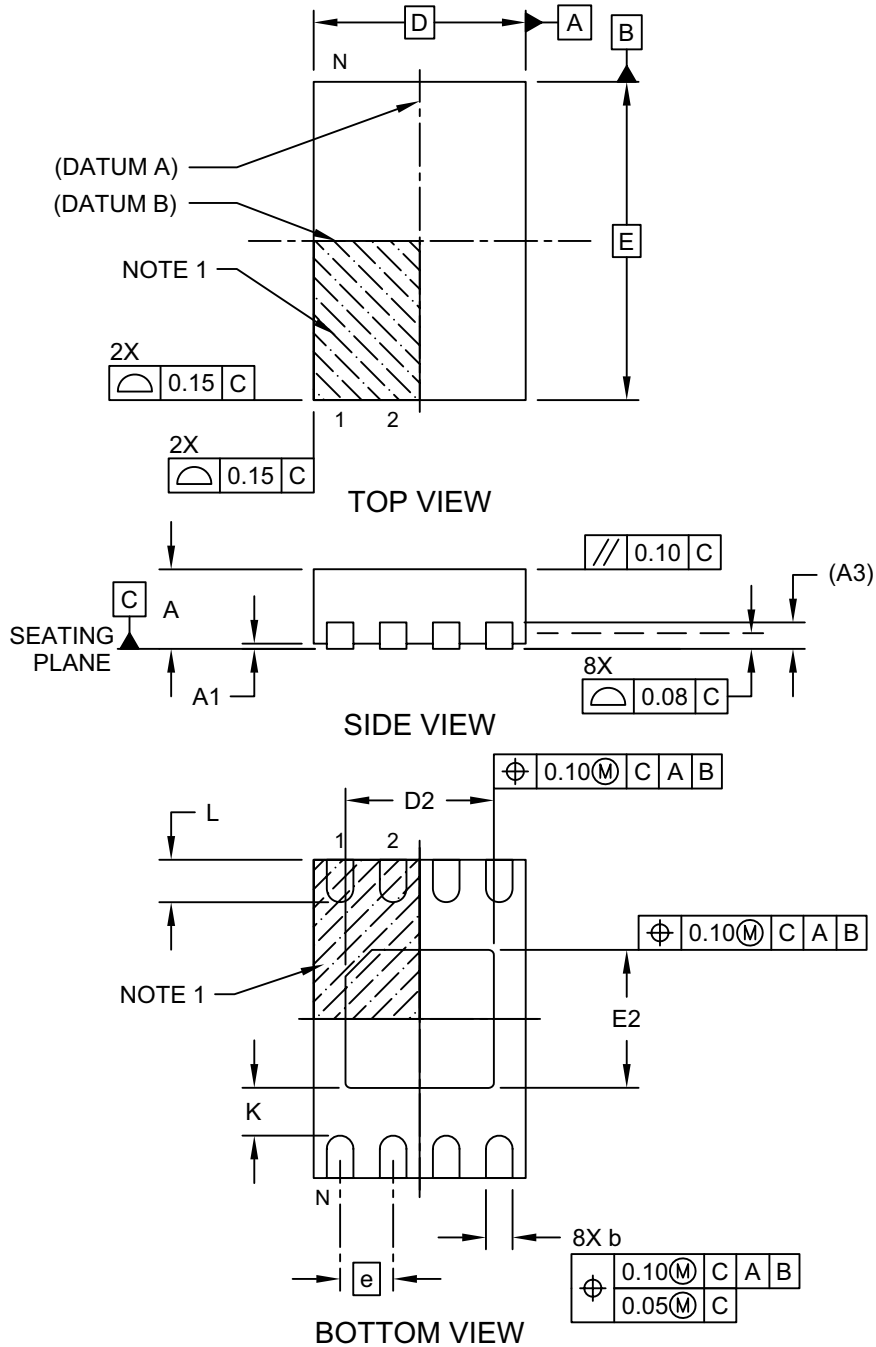
BSC: Basic Dimension. Theoretically exact value shown without tolerances.

Microchip Technology Drawing No. C04-2028-OT Rev E

93AA56A/B/C, 93LC56A/B/C, 93C56A/B/C

8-Lead Plastic Dual Flat, No Lead Package (MN) – 2x3x0.8 mm Body [TDFN] With 1.4x1.3 mm Exposed Pad (JEDEC Package type WDFN)

Note: For the most current package drawings, please see the Microchip Packaging Specification located at <http://www.microchip.com/packaging>

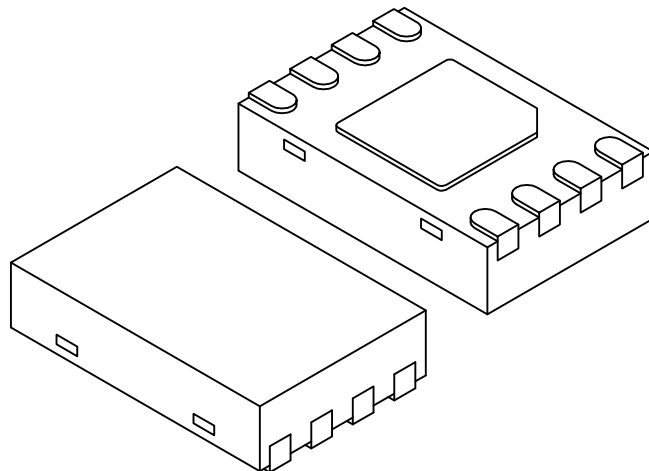


Microchip Technology Drawing No. C04-129-MN Rev E Sheet 1 of 2

93AA56A/B/C, 93LC56A/B/C, 93C56A/B/C

8-Lead Plastic Dual Flat, No Lead Package (MN) – 2x3x0.8 mm Body [TDFN] With 1.4x1.3 mm Exposed Pad (JEDEC Package type WDFN)

Note: For the most current package drawings, please see the Microchip Packaging Specification located at <http://www.microchip.com/packaging>



Dimension Limits	Units	MILLIMETERS		
		MIN	NOM	MAX
Number of Pins	N	8		
Pitch	e	0.50 BSC		
Overall Height	A	0.70	0.75	0.80
Standoff	A1	0.00	0.02	0.05
Contact Thickness	A3	0.20 REF		
Overall Length	D	2.00 BSC		
Overall Width	E	3.00 BSC		
Exposed Pad Length	D2	1.35	1.40	1.45
Exposed Pad Width	E2	1.25	1.30	1.35
Contact Width	b	0.20	0.25	0.30
Contact Length	L	0.25	0.30	0.45
Contact-to-Exposed Pad	K	0.20	-	-

Notes:

1. Pin 1 visual index feature may vary, but must be located within the hatched area.
2. Package may have one or more exposed tie bars at ends.
3. Package is saw singulated
4. Dimensioning and tolerancing per ASME Y14.5M

BSC: Basic Dimension. Theoretically exact value shown without tolerances.

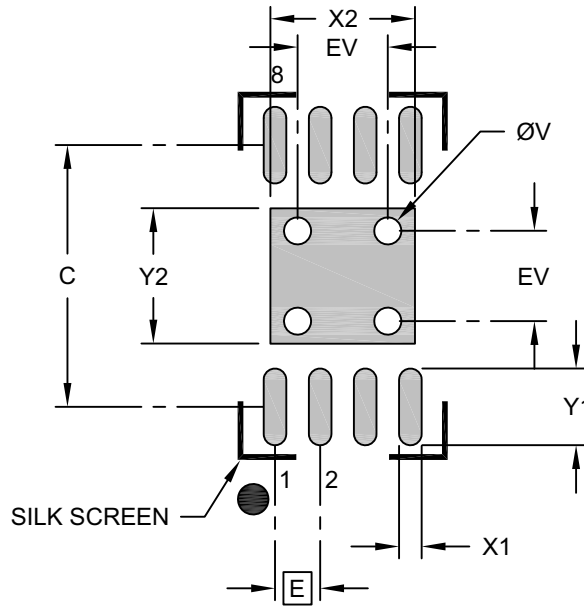
REF: Reference Dimension, usually without tolerance, for information purposes only.

Microchip Technology Drawing No. C04-129-MN Rev E Sheet 2 of 2

93AA56A/B/C, 93LC56A/B/C, 93C56A/B/C

8-Lead Plastic Dual Flat, No Lead Package (MN) – 2x3x0.8 mm Body [TDFN] With 1.4x1.3 mm Exposed Pad (JEDEC Package type WDFN)

Note: For the most current package drawings, please see the Microchip Packaging Specification located at <http://www.microchip.com/packaging>



RECOMMENDED LAND PATTERN

Dimension Limits	Units	MILLIMETERS		
		MIN	NOM	MAX
Contact Pitch	E	0.50 BSC		
Optional Center Pad Width	X2			1.60
Optional Center Pad Length	Y2			1.50
Contact Pad Spacing	C		2.90	
Contact Pad Width (X8)	X1			0.25
Contact Pad Length (X8)	Y1			0.85
Thermal Via Diameter	V		0.30	
Thermal Via Pitch	EV		1.00	

Notes:

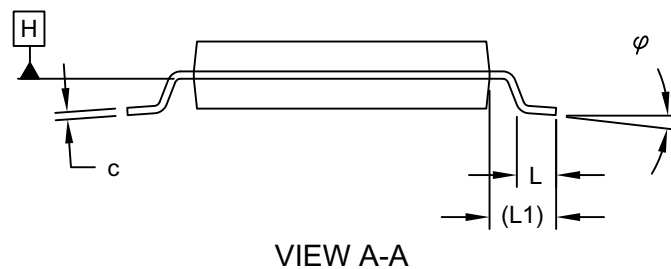
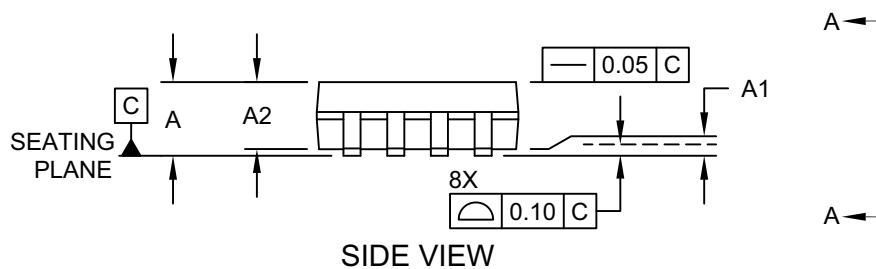
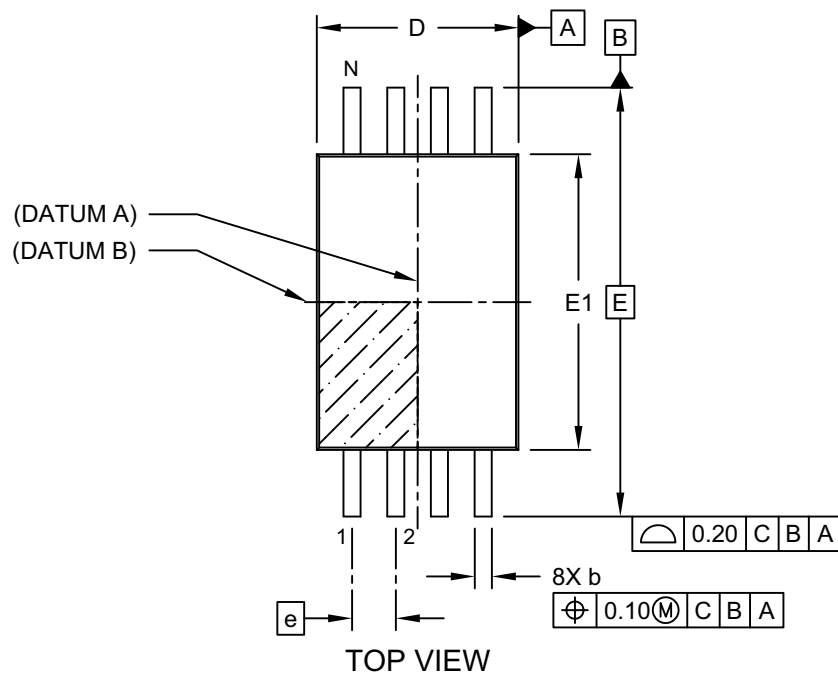
- Dimensioning and tolerancing per ASME Y14.5M
BSC: Basic Dimension. Theoretically exact value shown without tolerances.
- For best soldering results, thermal vias, if used, should be filled or tented to avoid solder loss during reflow process

Microchip Technology Drawing No. C04-129-MN Rev. B

93AA56A/B/C, 93LC56A/B/C, 93C56A/B/C

8-Lead Plastic Thin Shrink Small Outline (ST) - 4.4 mm Body [TSSOP]

Note: For the most current package drawings, please see the Microchip Packaging Specification located at <http://www.microchip.com/packaging>

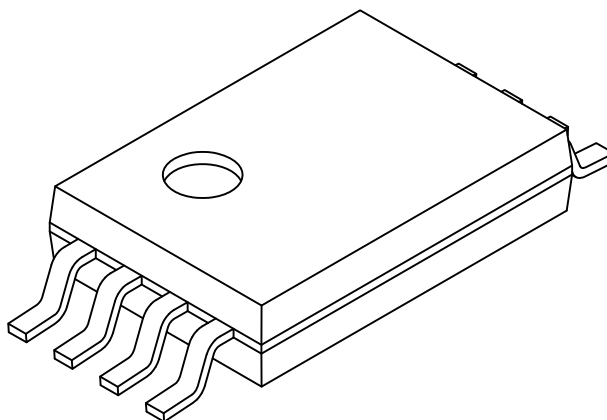


Microchip Technology Drawing C04-086 Rev C Sheet 1 of 2

93AA56A/B/C, 93LC56A/B/C, 93C56A/B/C

8-Lead Plastic Thin Shrink Small Outline (ST) - 4.4 mm Body [TSSOP]

Note: For the most current package drawings, please see the Microchip Packaging Specification located at <http://www.microchip.com/packaging>



		Units	MILLIMETERS		
Dimension Limits			MIN	NOM	MAX
Number of Pins	N		8		
Pitch	e		0.65 BSC		
Overall Height	A	-	-	-	1.20
Molded Package Thickness	A2	0.80	1.00	1.05	
Standoff	A1	0.05	-	-	
Overall Width	E		6.40 BSC		
Molded Package Width	E1	4.30	4.40	4.50	
Overall Length	D	2.90	3.00	3.10	
Foot Length	L	0.45	0.60	0.75	
Footprint	L1		1.00 REF		
Lead Thickness	c	0.09	-	-	0.25
Foot Angle	φ	0°	4°	8°	
Lead Width	b	0.19	-	-	0.30

Notes:

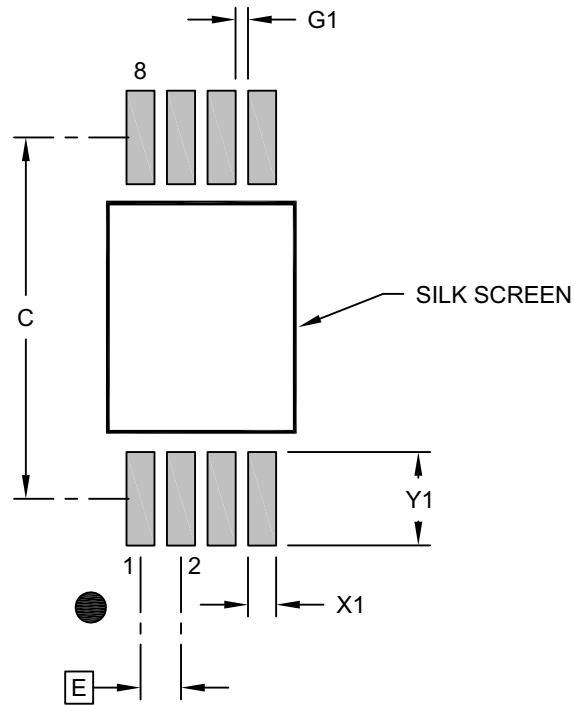
1. Pin 1 visual index feature may vary, but must be located within the hatched area.
2. Dimensions D and E1 do not include mold flash or protrusions. Mold flash or protrusions shall not exceed 0.20mm per side.
3. Dimensioning and tolerancing per ASME Y14.5M
 - BSC: Basic Dimension. Theoretically exact value shown without tolerances.
 - REF: Reference Dimension, usually without tolerance, for information purposes only.

Microchip Technology Drawing C04-086 Rev C Sheet 2 of 2

93AA56A/B/C, 93LC56A/B/C, 93C56A/B/C

8-Lead Plastic Thin Shrink Small Outline (ST) - 4.4 mm Body [TSSOP]

Note: For the most current package drawings, please see the Microchip Packaging Specification located at <http://www.microchip.com/packageing>



RECOMMENDED LAND PATTERN

Dimension Limits	Units	MILLIMETERS		
		MIN	NOM	MAX
Contact Pitch	E	0.65 BSC		
Contact Pad Spacing	C		5.80	
Contact Pad Width (X8)	X1			0.45
Contact Pad Length (X8)	Y1			1.50
Contact Pad to Center Pad (X6)	G1	0.20		

Notes:

1. Dimensioning and tolerancing per ASME Y14.5M
BSC: Basic Dimension. Theoretically exact value shown without tolerances.
2. For best soldering results, thermal vias, if used, should be filled or tented to avoid solder loss during reflow process

Microchip Technology Drawing C04-2086 Rev B

93AA56A/B/C, 93LC56A/B/C, 93C56A/B/C

APPENDIX A: REVISION HISTORY

Revision J (05/2023)

Corrected “1st Line Marking Codes” table.

Revision H (06/2022)

Added Automotive Product ID; Changed Automotive (E) to Extended (E); Updated “master” terminology with “host”; Updated DFN, MSOP, PDIP, SOIC, SOT-23, TDFN and TSSOP package drawings.

Revision G (12/2011)

Added TDFN package.

Revision F (05/2008)

Revised Figures 2-1 through 2-4 and Figures 2-8 through 2-11; Revised Package Marking Information; Replaced Package Drawings; Revised Product ID section.

Revision E (03/2007)

Replaced Package Drawings; Revised Product ID System (SOIC-SN package).

Revision D (11/2006)

Updated Package Drawings and Product ID System

Revision C (04/2005)

Added DFN package.

Revision B (12/2003)

Corrections to Section 1.0, Electrical Characteristics. Section 4.1, 6-Lead SOT-23 package to OT.

Revision A (05/2003)

Initial Release.

93AA56A/B/C, 93LC56A/B/C, 93C56A/B/C

THE MICROCHIP WEBSITE

Microchip provides online support via our website at www.microchip.com. This website is used as a means to make files and information easily available to customers. Accessible by using your favorite Internet browser, the website contains the following information:

- **Product Support** – Data sheets and errata, application notes and sample programs, design resources, user's guides and hardware support documents, latest software releases and archived software
- **General Technical Support** – Frequently Asked Questions (FAQ), technical support requests, online discussion groups, Microchip consultant program member listing
- **Business of Microchip** – Product selector and ordering guides, latest Microchip press releases, listing of seminars and events, listings of Microchip sales offices, distributors and factory representatives

CUSTOMER CHANGE NOTIFICATION SERVICE

Microchip's customer notification service helps keep customers current on Microchip products. Subscribers will receive e-mail notification whenever there are changes, updates, revisions or errata related to a specified product family or development tool of interest.

To register, access the Microchip website at www.microchip.com. Under "Support", click on "Customer Change Notification" and follow the registration instructions.

CUSTOMER SUPPORT

Users of Microchip products can receive assistance through several channels:

- Distributor or Representative
- Local Sales Office
- Field Application Engineer (FAE)
- Technical Support

Customers should contact their distributor, representative or Field Application Engineer (FAE) for support. Local sales offices are also available to help customers. A listing of sales offices and locations is included in the back of this document.

Technical support is available through the website at: <http://microchip.com/support>

93AA56A/B/C, 93LC56A/B/C, 93C56A/B/C

PRODUCT IDENTIFICATION SYSTEM (NON-AUTOMOTIVE)

To order or obtain information, e.g., on pricing or delivery, refer to the factory or the listed sales office.

<u>PART NO.</u>	<u>X</u>	<u>X</u> ⁽¹⁾	<u>-X</u>	<u>/XX</u>	
Device	Pinout	Tape and Reel	Temperature Range	Package	Examples:
Device: 93AA56A = 2-Kbit 1.8V Microwire Serial EEPROM 93AA56B = 2-Kbit 1.8V Microwire Serial EEPROM 93AA56C = 2-Kbit 1.8V Microwire Serial EEPROM w/ORG 93LC56A = 2-Kbit 2.5V Microwire Serial EEPROM 93LC56B = 2-Kbit 2.5V Microwire Serial EEPROM 93LC56C = 2-Kbit 2.5V Microwire Serial EEPROM w/ORG 93C56A = 2-Kbit 5.0V Microwire Serial EEPROM 93C56B = 2-Kbit 5.0V Microwire Serial EEPROM 93C56C = 2-Kbit 5.0V Microwire Serial EEPROM w/ORG	Pinout: Blank = Standard pinout X = Rotated pinout	Tape and Reel⁽¹⁾: Blank = Standard packaging T = Tape and Reel ⁽¹⁾	Temperature Range: I = -40°C to +85°C (Industrial) E = -40°C to +125°C (Extended)	Package: MC = Plastic Dual Flat, No lead - 2x3x0.9 mm Body, 8-lead (DFN) MS = Plastic Micro Small Outline - 8-lead (MSOP) P = Plastic Dual In-Line – 300 mil Body, 8-lead (PDIP) SN = Plastic Small Outline - Narrow, 3.90 mm, 8-lead (SOIC) OT = Plastic Small Outline Transistor - 6-lead (SOT-23) (Tape and Reel only) MNY ⁽²⁾ = Plastic Dual Flat, No Lead - 2x3x0.8 mm Body, 8-lead (TDFN) (Tape and Reel only) ST = Plastic Thin Shrink Small Outline - 4.4 mm, 8-lead (TSSOP)	a) 93AA56C-I/P: 2-Kbit, 256x8 or 128x16, 1.8V Serial EEPROM, Industrial Temperature, PDIP package b) 93AA56B-I/MS: 2-Kbit, 128x16, 1.8V Serial EEPROM, Industrial Temperature, MSOP package c) 93AA56AT-I/OT: 2-Kbit, 256x8, 1.8V Serial EEPROM, Industrial Temperature, Tape and Reel, SOT-23 package d) 93AA56CT-I/SN: 2-Kbit, 256x8 or 128x16, 1.8V Serial EEPROM, Industrial Temperature, Tape and Reel, SOIC package a) 93LC56A-I/MS: 2-Kbit, 256x8, 2.5V Serial EEPROM, Industrial Temperature, MSOP package b) 93LC56BT-I/OT: 2-Kbit, 128x16, 2.5V Serial EEPROM, Industrial Temperature, Tape and Reel, SOT-23 Package c) 93LC56B-I/ST: 2-Kbit, 128x16, 2.5V Serial EEPROM, Industrial Temperature, TSSOP package d) 93LC56CT-E/MNY: 2-Kbit, 256x8 or 128x16, 2.5V Serial EEPROM, Extended Temperature, Tape and Reel, TDFN package a) 93C56B-I/MS: 2-Kbit, 128x16, 5.0V Serial EEPROM, Industrial Temperature, MSOP package b) 93C56C-E/SN: 2-Kbit, 256x8 or 128x16, 5.0V Serial EEPROM, Extended Temperature, SOIC package c) 93C56AT-I/OT: 2-Kbit, 256x8, 5.0V Serial EEPROM, Industrial Temperature, Tape and Reel, SOT-23 Package d) 93C56BX-I/SN: 2-Kbit, 128x16, 5.0V Serial EEPROM, Industrial Temperature, X-rotated, SOIC package
Note 1: Tape and Reel identifier only appears in the catalog part number description. This identifier is used for ordering purposes and is not printed on the device package. Check with your Microchip Sales Office for package availability with the Tape and Reel option.					
Note 2: "Y" indicates a Nickel Palladium Gold (NiPdAu) finish.					

93AA56A/B/C, 93LC56A/B/C, 93C56A/B/C

PRODUCT IDENTIFICATION SYSTEM (AUTOMOTIVE)

To order or obtain information, e.g., on pricing or delivery, refer to the factory or the listed sales office.

<u>PART NO.</u>	<u>X</u>	<u>X⁽¹⁾</u>	<u>-X</u>	<u>XX</u>	<u>XXX^(2,3)</u>	Examples:
Device	Pinout	Tape and Reel	Temperature Range	Package	Variant	
<p>Device:</p> <p>93AA56A = 2-Kbit 1.8V Microwire Serial EEPROM 93AA56B = 2-Kbit 1.8V Microwire Serial EEPROM 93AA56C = 2-Kbit 1.8V Microwire Serial EEPROM w/ORG</p> <p>93LC56A = 2-Kbit 2.5V Microwire Serial EEPROM 93LC56B = 2-Kbit 2.5V Microwire Serial EEPROM 93LC56C = 2-Kbit 2.5V Microwire Serial EEPROM w/ORG</p> <p>93C56A = 2-Kbit 5.0V Microwire Serial EEPROM 93C56B = 2-Kbit 5.0V Microwire Serial EEPROM 93C56C = 2-Kbit 5.0V Microwire Serial EEPROM w/ORG</p>						<p>a) 93LC56B-I/SN15KVAO: 2-Kbit, 128x16, 2.5V Serial EEPROM, Automotive Grade 3, SOIC package</p> <p>b) 93LC56CT-I/SN15KVAO: 2-Kbit, 256x8 or 128x16, 2.5V Serial EEPROM, Automotive Grade 3, Tape and Reel, SOIC package</p> <p>c) 93LC56AT-I/SN15KVAO: 2-Kbit, 256x8, 2.5V Serial EEPROM, Automotive Grade 3, Tape and Reel, SOIC package</p> <p>d) 93LC56BT-I/SN15KVAO: 2-Kbit, 128x16, 2.5V Serial EEPROM, Automotive Grade 3, Tape and Reel, SOIC package</p> <p>e) 93LC56CT-E/SN15KVAO: 2-Kbit, 256x8 or 128x16, 2.5V Serial EEPROM, Automotive Grade 1, Tape and Reel, SOIC package</p>
<p>Pinout:</p> <p>Blank = Standard pinout</p>						<p>a) 93C56AT-E/SN15KVAO: 2-Kbit, 256x8, 5.0V Serial EEPROM, Automotive Grade 1, Tape and Reel, SOIC package</p>
<p>Tape and Reel⁽¹⁾:</p> <p>Blank = Standard packaging T = Tape and Reel ⁽¹⁾</p>						
<p>Temperature Range:</p> <p>I = -40°C to +85°C (AEC-Q100 Grade 3) E = -40°C to +125°C (AEC-Q100 Grade 1)</p>						
<p>Package:</p> <p>MS = Plastic Micro Small Outline - 8-lead (MSOP) SN = Plastic Small Outline - Narrow, 3.90 mm, 8-lead (SOIC) OT = Plastic Small Outline Transistor - 6-lead (SOT-23) (Tape and Reel only) ST = Plastic Thin Shrink Small Outline - 4.4 mm, 8-lead (TSSOP)</p>						<p>Note 1: Tape and Reel identifier only appears in the catalog part number description. This identifier is used for ordering purposes and is not printed on the device package. Check with your Microchip Sales Office for package availability with the Tape and Reel option.</p> <p>2: The VAO/XX automotive variants have been designed, manufactured, tested and qualified in accordance with AEC-Q100 requirements for automotive applications.</p> <p>3: For customers requesting a PPAP, a customer-specific part number will be generated and provided. A PPAP is not provided for VAO part numbers.</p>
<p>Variant^(2,3):</p> <p>15KVAO = Standard Automotive, 15K Process 15KVXX = Customer-Specific Automotive, 15K Process</p>						

Note the following details of the code protection feature on Microchip products:

- Microchip products meet the specifications contained in their particular Microchip Data Sheet.
- Microchip believes that its family of products is secure when used in the intended manner, within operating specifications, and under normal conditions.
- Microchip values and aggressively protects its intellectual property rights. Attempts to breach the code protection features of Microchip product is strictly prohibited and may violate the Digital Millennium Copyright Act.
- Neither Microchip nor any other semiconductor manufacturer can guarantee the security of its code. Code protection does not mean that we are guaranteeing the product is "unbreakable" Code protection is constantly evolving. Microchip is committed to continuously improving the code protection features of our products.

This publication and the information herein may be used only with Microchip products, including to design, test, and integrate Microchip products with your application. Use of this information in any other manner violates these terms. Information regarding device applications is provided only for your convenience and may be superseded by updates. It is your responsibility to ensure that your application meets with your specifications. Contact your local Microchip sales office for additional support or, obtain additional support at <https://www.microchip.com/en-us/support/design-help/client-support-services>.

THIS INFORMATION IS PROVIDED BY MICROCHIP "AS IS". MICROCHIP MAKES NO REPRESENTATIONS OR WARRANTIES OF ANY KIND WHETHER EXPRESS OR IMPLIED, WRITTEN OR ORAL, STATUTORY OR OTHERWISE, RELATED TO THE INFORMATION INCLUDING BUT NOT LIMITED TO ANY IMPLIED WARRANTIES OF NON-INFRINGEMENT, MERCHANTABILITY, AND FITNESS FOR A PARTICULAR PURPOSE, OR WARRANTIES RELATED TO ITS CONDITION, QUALITY, OR PERFORMANCE.

IN NO EVENT WILL MICROCHIP BE LIABLE FOR ANY INDIRECT, SPECIAL, PUNITIVE, INCIDENTAL, OR CONSEQUENTIAL LOSS, DAMAGE, COST, OR EXPENSE OF ANY KIND WHATSOEVER RELATED TO THE INFORMATION OR ITS USE, HOWEVER CAUSED, EVEN IF MICROCHIP HAS BEEN ADVISED OF THE POSSIBILITY OR THE DAMAGES ARE FORESEEABLE. TO THE FULLEST EXTENT ALLOWED BY LAW, MICROCHIP'S TOTAL LIABILITY ON ALL CLAIMS IN ANY WAY RELATED TO THE INFORMATION OR ITS USE WILL NOT EXCEED THE AMOUNT OF FEES, IF ANY, THAT YOU HAVE PAID DIRECTLY TO MICROCHIP FOR THE INFORMATION.

Use of Microchip devices in life support and/or safety applications is entirely at the buyer's risk, and the buyer agrees to defend, indemnify and hold harmless Microchip from any and all damages, claims, suits, or expenses resulting from such use. No licenses are conveyed, implicitly or otherwise, under any Microchip intellectual property rights unless otherwise stated.

For information regarding Microchip's Quality Management Systems, please visit www.microchip.com/quality.

Trademarks

The Microchip name and logo, the Microchip logo, Adaptec, AVR, AVR logo, AVR Freaks, BesTime, BitCloud, CryptoMemory, CryptoRF, dsPIC, flexPWR, HELDO, IGLoo, JukeBlox, KeeLoq, Klear, LANCheck, LinkMD, maXStylus, maXTouch, MediaLB, megaAVR, Microsemi, Microsemi logo, MOST, MOST logo, MPLAB, OptoLyzer, PIC, picoPower, PICSTART, PIC32 logo, PolarFire, Prochip Designer, QTouch, SAM-BA, SenGenuity, SpyNIC, SST, SST Logo, SuperFlash, Symmetricom, SyncServer, Tachyon, TimeSource, tinyAVR, UNI/O, Vectron, and XMEGA are registered trademarks of Microchip Technology Incorporated in the U.S.A. and other countries.

AgileSwitch, APT, ClockWorks, The Embedded Control Solutions Company, EtherSynch, Flashtec, Hyper Speed Control, HyperLight Load, Libero, motorBench, mTouch, Powermite 3, Precision Edge, ProASIC, ProASIC Plus, ProASIC Plus logo, Quiet-Wire, SmartFusion, SyncWorld, Temux, TimeCesium, TimeHub, TimePictra, TimeProvider, TrueTime, and ZL are registered trademarks of Microchip Technology Incorporated in the U.S.A.

Adjacent Key Suppression, AKS, Analog-for-the-Digital Age, Any Capacitor, AnyIn, AnyOut, Augmented Switching, BlueSky, BodyCom, Clockstudio, CodeGuard, CryptoAuthentication, CryptoAutomotive, CryptoCompanion, CryptoController, dsPICDEM, dsPICDEM.net, Dynamic Average Matching, DAM, ECAN, Espresso T1S, EtherGREEN, GridTime, IdealBridge, In-Circuit Serial Programming, ICSP, INICnet, Intelligent Paralleling, IntelliMOS, Inter-Chip Connectivity, JitterBlocker, Knob-on-Display, KoD, maxCrypto, maxView, memBrain, Mindi, MiWi, MPASM, MPF, MPLAB Certified logo, MPLIB, MPLINK, MultiTRAK, NetDetach, Omniscient Code Generation, PICDEM, PICDEM.net, PICkit, PICtail, PowerSmart, PureSilicon, QMatrix, REAL ICE, Ripple Blocker, RTAX, RTG4, SAM-ICE, Serial Quad I/O, simpleMAP, SimpliPHY, SmartBuffer, SmartHLS, SMART-I.S., storClad, SQI, SuperSwitcher, SuperSwitcher II, Switchtec, SynchroPHY, Total Endurance, Trusted Time, TSHARC, USBCheck, VariSense, VectorBlox, VeriPHY, ViewSpan, WiperLock, XpressConnect, and ZENA are trademarks of Microchip Technology Incorporated in the U.S.A. and other countries.

SQTP is a service mark of Microchip Technology Incorporated in the U.S.A.

The Adaptec logo, Frequency on Demand, Silicon Storage Technology, and Symmcom are registered trademarks of Microchip Technology Inc. in other countries.

GestIC is a registered trademark of Microchip Technology Germany II GmbH & Co. KG, a subsidiary of Microchip Technology Inc., in other countries.

All other trademarks mentioned herein are property of their respective companies.

© 2003-2023, Microchip Technology Incorporated and its subsidiaries.

All Rights Reserved.

ISBN: 978-1-6683-2353-3



MICROCHIP

Worldwide Sales and Service

AMERICAS

Corporate Office
2355 West Chandler Blvd.
Chandler, AZ 85224-6199
Tel: 480-792-7200
Fax: 480-792-7277
Technical Support:
<http://www.microchip.com/support>
Web Address:
www.microchip.com

Atlanta

Duluth, GA
Tel: 678-957-9614
Fax: 678-957-1455

Austin, TX

Tel: 512-257-3370

Boston

Westborough, MA
Tel: 774-760-0087
Fax: 774-760-0088

Chicago

Itasca, IL
Tel: 630-285-0071
Fax: 630-285-0075

Dallas

Addison, TX
Tel: 972-818-7423
Fax: 972-818-2924

Detroit

Novi, MI
Tel: 248-848-4000

Houston, TX

Tel: 281-894-5983

Indianapolis

Noblesville, IN
Tel: 317-773-8323
Fax: 317-773-5453
Tel: 317-536-2380

Los Angeles

Mission Viejo, CA
Tel: 949-462-9523
Fax: 949-462-9608
Tel: 951-273-7800

Raleigh, NC

Tel: 919-844-7510

New York, NY

Tel: 631-435-6000

San Jose, CA

Tel: 408-735-9110
Tel: 408-436-4270

Canada - Toronto

Tel: 905-695-1980
Fax: 905-695-2078

ASIA/PACIFIC

Australia - Sydney
Tel: 61-2-9868-6733

China - Beijing
Tel: 86-10-8569-7000

China - Chengdu
Tel: 86-28-8665-5511

China - Chongqing
Tel: 86-23-8980-9588

China - Dongguan
Tel: 86-769-8702-9880

China - Guangzhou
Tel: 86-20-8755-8029

China - Hangzhou
Tel: 86-571-8792-8115

China - Hong Kong SAR
Tel: 852-2943-5100

China - Nanjing
Tel: 86-25-8473-2460

China - Qingdao
Tel: 86-532-8502-7355

China - Shanghai
Tel: 86-21-3326-8000

China - Shenyang
Tel: 86-24-2334-2829

China - Shenzhen
Tel: 86-755-8864-2200

China - Suzhou
Tel: 86-186-6233-1526

China - Wuhan
Tel: 86-27-5980-5300

China - Xian
Tel: 86-29-8833-7252

China - Xiamen
Tel: 86-592-2388138

China - Zhuhai
Tel: 86-756-3210040

ASIA/PACIFIC

India - Bangalore
Tel: 91-80-3090-4444

India - New Delhi
Tel: 91-11-4160-8631

India - Pune
Tel: 91-20-4121-0141

Japan - Osaka
Tel: 81-6-6152-7160

Japan - Tokyo
Tel: 81-3-6880-3770

Korea - Daegu
Tel: 82-53-744-4301

Korea - Seoul
Tel: 82-2-554-7200

Malaysia - Kuala Lumpur
Tel: 60-3-7651-7906

Malaysia - Penang
Tel: 60-4-227-8870

Philippines - Manila
Tel: 63-2-634-9065

Singapore
Tel: 65-6334-8870

Taiwan - Hsin Chu
Tel: 886-3-577-8366

Taiwan - Kaohsiung
Tel: 886-7-213-7830

Taiwan - Taipei
Tel: 886-2-2508-8600

Thailand - Bangkok
Tel: 66-2-694-1351

Vietnam - Ho Chi Minh
Tel: 84-28-5448-2100

EUROPE

Austria - Wels
Tel: 43-7242-2244-39
Fax: 43-7242-2244-393

Denmark - Copenhagen
Tel: 45-4485-5910
Fax: 45-4485-2829

Finland - Espoo
Tel: 358-9-4520-820

France - Paris
Tel: 33-1-69-53-63-20
Fax: 33-1-69-30-90-79

Germany - Garching
Tel: 49-8931-9700

Germany - Haan
Tel: 49-2129-3766400

Germany - Heilbronn
Tel: 49-7131-72400

Germany - Karlsruhe
Tel: 49-721-625370

Germany - Munich
Tel: 49-89-627-144-0
Fax: 49-89-627-144-44

Germany - Rosenheim
Tel: 49-8031-354-560

Israel - Ra'anana
Tel: 972-9-744-7705

Italy - Milan
Tel: 39-0331-742611
Fax: 39-0331-466781

Italy - Padova
Tel: 39-049-7625286

Netherlands - Drunen
Tel: 31-416-690399
Fax: 31-416-690340

Norway - Trondheim
Tel: 47-7288-4388

Poland - Warsaw
Tel: 48-22-3325737

Romania - Bucharest
Tel: 40-21-407-87-50

Spain - Madrid
Tel: 34-91-708-08-90
Fax: 34-91-708-08-91

Sweden - Gothenberg
Tel: 46-31-704-60-40

Sweden - Stockholm
Tel: 46-8-5090-4654

UK - Wokingham
Tel: 44-118-921-5800
Fax: 44-118-921-5820

Affected Catalog Part Numbers (CPN)

93LC56B/SNRVA
93LC56BX/SNRVA
93LC56B/STRVA
93LC56B-I/SNRVA
93LC56BX-I/SNRVA
93LC56B-I/SNVAO
93LC56B-I/STRVA
93LC56BXT/SNRVA
93LC56BT/STRVA
93LC56BT-I/SNRVA
93LC56BXT-I/SNRVA
93LC56BT-I/SNV26
93LC56BT-I/SNVAO
93LC56BT-I/STRVA
93LC56A/SNRVA
93LC56AX/SNRVA
93LC56A/STRVA
93LC56A-I/SNRVA
93LC56AX-I/SNRVA
93LC56A-I/STRVA
93LC56AT/SNRVA
93LC56AXT/SNRVA
93LC56AT/STRVA
93LC56AT-I/SNRVA
93LC56AXT-I/SNRVA
93LC56AT-I/SNV01
93LC56AT-I/SNGVAO
93LC56AT-I/SNVAO
93LC56AT-I/STRVA
93LC56BT-I/SNC22VAO
93LC56A/SN
93LC56B/SN
93LC56BX/SN
93LC56A/P
93LC56B/P
93LC56A/ST
93LC56B/ST
93LC56C-E/MS
93LC56A-E/MS
93LC56B-E/MS
93LC56C-E/SN
93LC56CX-E/SN
93LC56A-E/SN
93LC56AX-E/SN
93LC56B-E/SN
93LC56BX-E/SN

93LC56C-E/P
93LC56A-E/P
93LC56B-E/P
93LC56C-E/ST
93LC56A-E/ST
93LC56B-E/ST
93LC56C-I/MS
93AA56C-I/MS
93LC56A-I/MS
93AA56A-I/MS
93LC56B-I/MS
93AA56B-I/MS
93LC56C-I/SN
93LC56CX-I/SN
93AA56C-I/SN
93AA56CX-I/SN
93LC56A-I/SN
93LC56AX-I/SN
93AA56A-I/SN
93AA56AX-I/SN
93LC56B-I/SN
93LC56BX-I/SN
93AA56B-I/SN
93AA56BX-I/SN
93LC56B-I/SN15KVAO
93LC56C-I/P
93AA56C-I/P
93LC56A-I/P
93AA56A-I/P
93LC56B-I/P
93AA56B-I/P
93LC56C-I/ST
93AA56C-I/ST
93LC56A-I/ST
93AA56A-I/ST
93LC56B-I/ST
93AA56B-I/ST
93LC56AT/SN
93LC56BT/SN
93LC56BXT/SN
93LC56BT/ST
93LC56CT-I/MNY
93AA56CT-I/MNY
93LC56AT-I/MNY
93AA56AT-I/MNY
93LC56BT-I/MNY
93AA56BT-I/MNY
93LC56CT-I/MS
93AA56CT-I/MS

93LC56AT-I/MS
93AA56AT-I/MS
93LC56BT-I/MS
93AA56BT-I/MS
93LC56CT-I/MC
93AA56CT-I/MC
93LC56AT-I/MC
93AA56AT-I/MC
93LC56BT-I/MC
93AA56BT-I/MC
93LC56CT-I/MC15KVAO
93LC56CT-I/SN
93LC56CXT-I/SN
93AA56CT-I/SN
93AA56CXT-I/SN
93LC56AT-I/SN
93LC56AXT-I/SN
93AA56AT-I/SN
93AA56AXT-I/SN
93LC56BT-I/SN
93LC56BXT-I/SN
93AA56BT-I/SN
93AA56BXT-I/SN
93LC56BT-I/SN15KV03
93LC56AT-I/SN15KV06
93LC56CT-I/SN15KVAO
93LC56AT-I/SNG15KVAO
93LC56BT-I/SN15KVAO
93LC56CT-I/ST
93AA56CT-I/ST
93LC56AT-I/ST
93AA56AT-I/ST
93LC56BT-I/ST
93AA56BT-I/ST
93LC56AT-I/OT
93AA56AT-I/OT
93LC56BT-I/OT
93AA56BT-I/OT
93LC56CT-E/MNY
93LC56AT-E/MNY
93LC56BT-E/MNY
93LC56CT-E/MS
93LC56AT-E/MS
93LC56BT-E/MS
93LC56CT-E/MC
93LC56CT-E/MC15KV11
93LC56CT-E/MC15KVAO
93LC56CT-E/MC15KVAO-GM
93LC56CT-E/SN

93LC56CXT-E/SN
93LC56AT-E/SN
93LC56AXT-E/SN
93LC56BT-E/SN
93LC56BXT-E/SN
93LC56CT-E/SN15KV05
93LC56BT-E/SN15KV08
93LC56CT-E/SN15KV10
93LC56CT-E/SN15KVAO
93LC56CT-E/ST
93LC56AT-E/ST
93LC56BT-E/ST
93LC56BT-E/ST15KV09
93LC56BT-E/ST15KV12
93LC56AT-E/OT
93LC56BT-E/OT
93LC56BT-E/OTV07
93C56C-E/MS
93C56A-E/MS
93C56B-E/MS
93C56C-E/SN
93C56A-E/SN
93C56B-E/SN
93C56C-E/P
93C56A-E/P
93C56B-E/P
93C56C-E/ST
93C56A-E/ST
93C56B-E/ST
93C56C-I/MS
93C56A-I/MS
93C56B-I/MS
93C56C-I/SN
93C56A-I/SN
93C56B-I/SN
93C56C-I/P
93C56A-I/P
93C56B-I/P
93C56C-I/ST
93C56A-I/ST
93C56B-I/ST
93C56CT-I/MNY
93C56AT-I/MNY
93C56BT-I/MNY
93C56CT-I/MS
93C56AT-I/MS
93C56BT-I/MS
93C56CT-I/MC
93C56AT-I/MC

93C56BT-I/MC
93C56CT-I/SN
93C56AT-I/SN
93C56BT-I/SN
93C56CT-I/ST
93C56AT-I/ST
93C56BT-I/ST
93C56AT-I/OT
93C56BT-I/OT
93C56CT-E/MNY
93C56AT-E/MNY
93C56BT-E/MNY
93C56CT-E/MS
93C56AT-E/MS
93C56BT-E/MS
93C56CT-E/SN
93C56AT-E/SN
93C56BT-E/SN
93C56AT-E/SNG15KVAO
93C56CT-E/ST
93C56AT-E/ST
93C56BT-E/ST
93C56AT-E/OT
93C56BT-E/OT