



# Product Change Notification

Current Date: 20-Sep-2022

## TE Connectivity

**Product Change Notification:** PCN-22-152506

**PCN Date:** 14-SEP-22

**Customer:** Future Electronics(0000080100)

**Location:** WORLDWIDE

**Agreement:** Agreement Unknown

TE would like to inform you of the following change(s) to the listed TE Connectivity Product. In case of any further questions about this change(s), please contact your TE Connectivity Sales Engineer. Affected part, drawing and/or specification numbers are listed on the attached sheet(s).

**General Product Description:**

PRODUCT GROUP DRAWING FOR Tabellenzeichnung fuer AMP MCP 2.8

**Description of Changes**

No Form Fit Function Change. Further PCN P-20-018820 was written on 23MAR2020 with the following explanation: Standardization of the silver material for the AMP MCP 2.8. The Plating has changed in the connection area from Ag to Sn (state of the art for connection areas). The base material and the plating in the contact area remain the same. AMP MCP 2.8 Revision E revised to Rev F for all silver variants, except PN 1-2141857-3 and PN 1-2141859-3, revised from Rev A to Rev B. Please also take a look at former PCN P-20-018820 from 23MAR2020. Now we adapted the part change to the drawing.

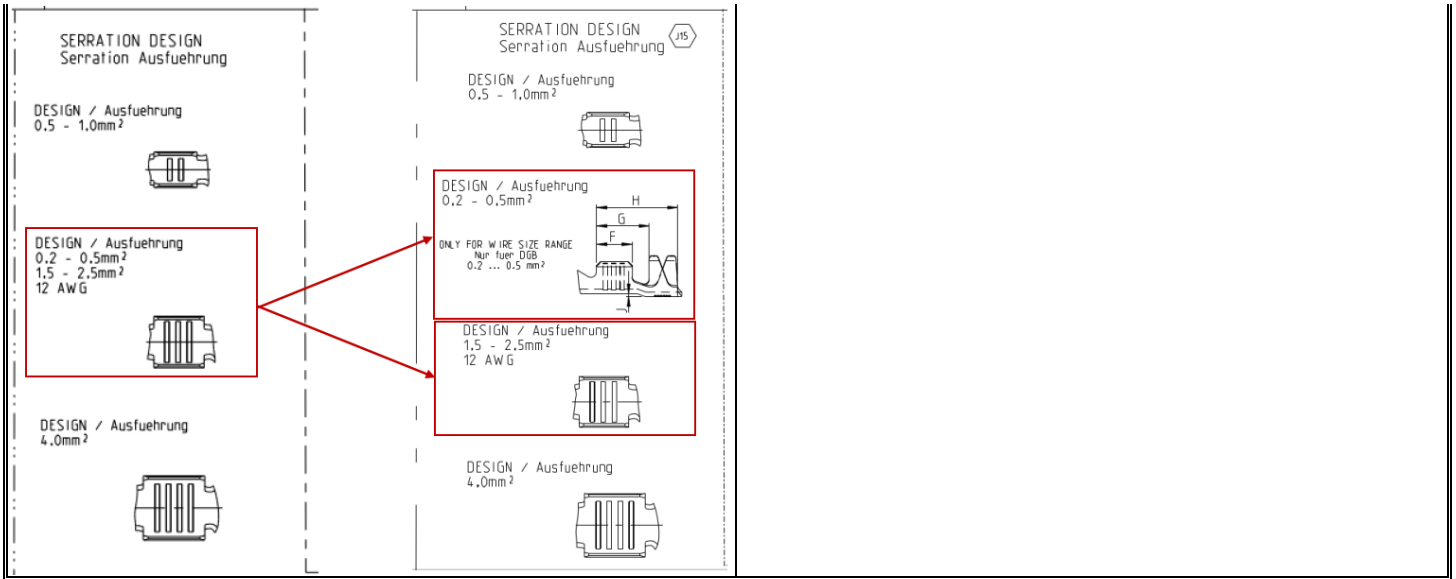
PCN-22-152506

CD 1355036 Rev. J14

CD 1355036 Rev. J15

VERSION Ausführung	ORDER-NO. STRIP-FORM Bestell-Nr. Bandware	REV	MATERIAL BODY	
SINGLE WIRE SEAL / Einzelzichtung	1-1719506-3	A		
	1-1719506-1	A		
	<del>1-968859-3</del>	D		
	1-968859-3	E	F J15	
	1-968859-1	E		
	<del>1-968857-3</del>	B		
	1-968857-3	E	F J15	
	1-968857-2	D		
	1-968857-1	E		
	1-968855-3	E	F J15	
	1-968855-2	E		
	1-968855-1	E		
	1-2141859-3	A	B J15	
	1-2141859-2	A		
	1-2141859-1	A		
	<del>1-968852-3</del>	E		
	<del>1-968852-2</del>	E		
	<del>1-968852-1</del>	E		
	STANDARD CRIMP	2-968853-3	D	
		1-968853-3	E	F J15
1-968853-1		E		
<del>2-968851-3</del>		D		
1-968851-3		E	F J15	
1-968851-2		E		
1-968851-1		E		
1-968849-3		E	F J15	
1-968849-2		E		
1-968849-1		E		
1-2141857-3		A	B J15	
1-2141857-1	A			
<del>1-968800-3</del>	E			
<del>1-968800-1</del>	E			

PCN-22-152506



**Reason for Changes:**  
Update made to improve document clarity

<b>PCN Attributes:</b>	
<b>Product Category:</b> Terminals	<b>Kind of Change:</b> Drawing
<b>Change Feature:</b> Drawing adapted to part change	<b>Potential Customer Impact:</b> Revision adapted
<b>Remarks:</b>	

<b>Estimated Dates:</b>	
<b>Last Order Date (Obsolete Parts Only):</b>	<b>First Ship Date of Changed Items (Changed Parts Only):</b> 14-SEP-2022
<b>Last Ship Date of Changed Items (Obsolete Parts Only):</b>	<b>Last Date for Mixed Shipments (Changed Parts Only):</b> No Mixed Shipments
<b>Effectivity Date:</b>	<b>Date of First Samples:</b>

The documents listed below are being modified. Related parts that are not explicitly listed on this PCN are not being modified or discontinued as per the PCN. The Last Order Date, Last Ship Date, First Date to Ship Changed Parts and last date for Mixed Shipments apply only to parts explicitly listed on this PCN.

**Note: This PCN contains only document changes, these changes do not affect the form, fit or function of the parts referenced.**

**Customer Drawing(s) Being Modified:**

Drawing Number	Related Part Number	Customer Part Number	Current Revision	New Revision
<a href="#">1355036</a>	1-968857-1, 1-968849-1, 1-968855-1		J14	

**Customer:** Future Electronics Inc ( 1290208 )

**Location:** Southaven

**Agreement Number:** FUTAGR001

The documents listed below are being modified. Related parts that are not explicitly listed on this PCN are not being modified or discontinued as per the PCN. The Last Order Date, Last Ship Date, First Date to Ship Changed Parts and last date for Mixed Shipments apply only to parts explicitly listed on this PCN.

**Customer Drawing(s) Being Modified:**

Drawing Number	Related Part Number	Customer Part Number	Current Revision	New Revision
<a href="#">1355036</a>	1-968849-1		J14	

**Customer:** Future Electronics Inc. ( 1319888 )

**Location:** Singapore

**Agreement Number:** Agreement Unknown

The documents listed below are being modified. Related parts that are not explicitly listed on this PCN are not being modified or discontinued as per the PCN. The Last Order Date, Last Ship Date, First Date to Ship Changed Parts and last date for Mixed Shipments apply only to parts explicitly listed on this PCN.

**Customer Drawing(s) Being Modified:**

Drawing Number	Related Part Number	Customer Part Number	Current Revision	New Revision
<a href="#">1355036</a>	1-968855-1		J14	

**Customer:** Future Electronics Inc ( 1433287 )

**Location:** Bolton

**Agreement Number:** Agreement Unknown

The documents listed below are being modified. Related parts that are not explicitly listed on this PCN are not being modified or discontinued as per the PCN. The Last Order Date, Last Ship Date, First Date to Ship Changed Parts and last date for Mixed Shipments apply only to parts explicitly listed on this PCN.

**Customer Drawing(s) Being Modified:**

Drawing Number	Related Part Number	Customer Part Number	Current Revision	New Revision
<a href="#">1355036</a>	1-968849-1		J14	

**Customer:** Future Electronics Inc ( 3087509 )

**Location:** Gyeonggi-do

**Agreement Number:** Agreement Unknown

The documents listed below are being modified. Related parts that are not explicitly listed on this PCN are not being modified or discontinued as per the PCN. The Last Order Date, Last Ship Date, First Date to Ship Changed Parts and last date for Mixed Shipments apply only to parts explicitly listed on this PCN.

**Customer Drawing(s) Being Modified:**

Drawing Number	Related Part Number	Customer Part Number	Current Revision	New Revision
<a href="#">1355036</a>	1-968857-1		J14	