



Product Change Notification

Current Date: 15-Sep-2022

TE Connectivity

Product Change Notification: P-22-023305

PCN Date: 01-SEP-22

Customer: Future Electronics(0000080100)

Location: WORLDWIDE

Agreement: Agreement Unknown

TE would like to inform you of the following change(s) to the listed TE Connectivity Product. In case of any further questions about this change(s), please contact your TE Connectivity Sales Engineer. Affected part, drawing and/or specification numbers are listed on the attached sheet(s).

General Product Description:

HVP 800 HEADER

Description of Changes

HVP800 Header shielding dimple change

Other attachments:

[HVP800 Header shielding dimple change](#)

Reason for Changes:

Product improvement.Optimized dimple shape for easy product installation

Estimated Dates:

Last Order Date (Obsolete Parts Only):

First Date To Ship (Changed Parts Only):

05-SEP-2022

Last Ship Date (Obsolete Parts Only):

Last Date for Mixed Shipments: (Changed Parts Only):

01-DEC-2022

The documents listed below are being modified. Related parts that are not explicitly listed on this PCN are not being modified or discontinued as per the PCN. The Last Order Date, Last Ship Date, First Date to Ship Changed Parts and last date for Mixed Shipments apply only to parts explicitly listed on this PCN.

Note: This PCN contains only document changes, these changes do not affect the form, fit or function of the parts referenced.

Customer Drawing(s) Being Modified:

Drawing Number	Related Part Number	Customer Part Number	Current Revision	New Revision
2322122	1-2322122-1		C1	

Customer: Future Electronics Inc (3232408)

Location: Southaven

Agreement Number: Agreement Unknown

The documents listed below are being modified. Related parts that are not explicitly listed on this PCN are not being modified or discontinued as per the PCN. The Last Order Date, Last Ship Date, First Date to Ship Changed Parts and last date for Mixed Shipments apply only to parts explicitly listed on this PCN.

Customer Drawing(s) Being Modified:

Drawing Number	Related Part Number	Customer Part Number	Current Revision	New Revision
2322122	1-2322122-1		C1	

HVP 800 屏蔽凸包形状变更

EVERY CONNECTION COUNTS

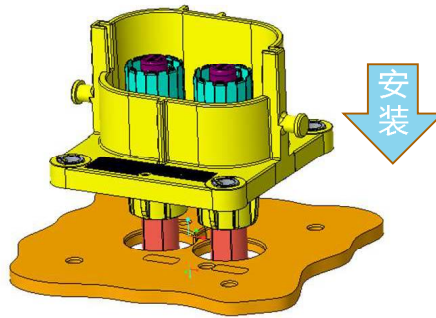
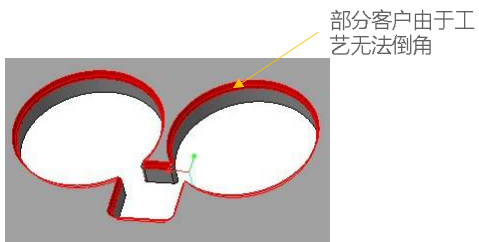


背景:

部分客户在设计和制作面板时，受限于制造工艺，无法对interface进行倒角，但经过验证，如果没有倒角安装过程中，插入不流畅，若强行按入产品，容易导致屏蔽歪斜。

对策:

优化HVP800插座屏蔽凸包

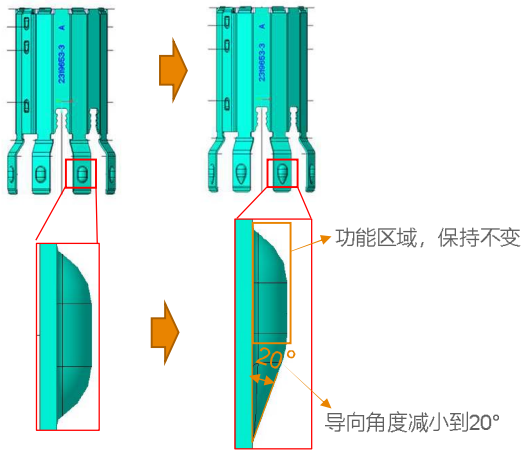
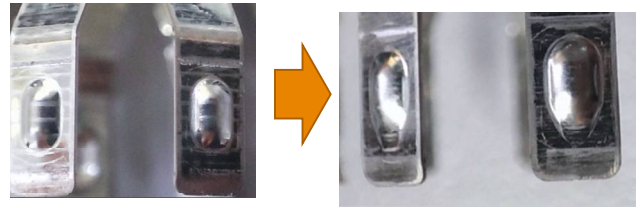
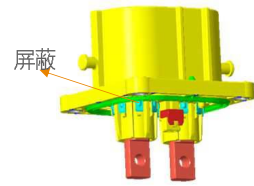


变更说明:



料号	描述	类型	变更前	变更后
-2355198-	HVP800 HEADER SHIELDING	屏蔽	见下图	见下图
-2322122-				
其余零件无变更				

将HVP800插座的屏蔽上的凸包的形状进行优化，将导向角度减小到20°，凸包的功能区域尺寸形状不变，不会影响产品性能。



- 凸包形状变更: 如图;
- 料号/尺寸保持不变;

结论: 不影响功能&组装, 可以自然切换。

变更说明：测试报告



测试内容	测试结果
PG0 Inspection of as-received condition	ok

DC contact resistance of the contacts	Cable shield – connector shield	R ₁	< 3 mΩ
	Connector shield – header shield	R ₂	< 4 mΩ
	Header shield – unit	R ₃	< 3 mΩ

屏蔽阻抗SPEC

Sample	R1+R2		R _{total}	
	PIN 1	PIN 2	PIN 1	PIN 2
PG0-1	2.17	2.06	2.35	2.58
PG0-2	2.02	2.09	2.21	2.58
PG0-3	2.20	2.02	2.59	2.20
PG0-4	2.16	1.94	2.02	2.23
PG0-5	2.09	2.06	2.31	2.30
MAX	2.20		2.59	
AVG	2.08		2.34	
MIN	1.94		2.02	
STDEV	0.08		0.19	

屏蔽阻抗测试数据

**CONNECT
LIKE THE WORLD
DEPENDS ON IT.
BECAUSE IT DOES.**

EVERY CONNECTION COUNTS

