



Product Change Notification

Current Date: 12-Aug-2022

TE Connectivity

Product Change Notification: P-22-023166

PCN Date: 09-AUG-22

Customer: Future Electronics(0000080100)

Location: WORLDWIDE

Agreement: Agreement Unknown

TE would like to inform you of the following change(s) to the listed TE Connectivity Product. In case of any further questions about this change(s), please contact your TE Connectivity Sales Engineer. Affected part, drawing and/or specification numbers are listed on the attached sheet(s).

General Product Description:

MULTIGIG Half size Daughtercard connectors

Description of Changes

Increase width of the wafer slots on the housing by 0.09mm in order to reduce the risk of FOD (Foreign Object debris) that can be generated by insertion of the wafers during part assembly.

Other attachments:

[MULTIGIG Half size housing 's slot width changed.](#)

Reason for Changes:

Product improvement.Manufacturing requested

Estimated Dates:

Last Order Date (Obsolete Parts Only):

First Date To Ship (Changed Parts Only):

10-NOV-2022

Last Ship Date (Obsolete Parts Only):

Last Date for Mixed Shipments: (Changed Parts Only):

07-NOV-2022

Part Number(s) being Modified:

Part Number	Part Discontinued per PCN	Customer Drawing	Customer Part Number	Alias Part Number(s)	Substitute Part Number	Substitute Alias Part Number(s)	Description Of Difference
1410189-3	NO						
1410972-4	NO						
2102772-1	NO						
2102772-2	NO						
2302786-1	NO						

Customer: Future Electronics Ltd (1273129)

Location: Egham

Agreement Number: Agreement Unknown

Part Number(s) being Modified:

Part Number	Part Discontinued per PCN	Customer Drawing	Customer Part Number	Alias Part Number(s)	Substitute Part Number	Substitute Alias Part Number(s)	Description Of Difference
2302786-1	NO						

Customer: Future Electronics Inc (184927)

Location: Pointe Claire

Agreement Number: Agreement Unknown

Part Number(s) being Modified:

Part Number	Part Discontinued per PCN	Customer Drawing	Customer Part Number	Alias Part Number(s)	Substitute Part Number	Substitute Alias Part Number(s)	Description Of Difference
1410189-3	NO						
1410972-4	NO						
2102772-1	NO						
2102772-2	NO						

Customer: Future Electronics Asia Pacific (2923061)

Location: Singapore

Agreement Number: Agreement Unknown

Part Number(s) being Modified:

Part Number	Part Discontinued per PCN	Customer Drawing	Customer Part Number	Alias Part Number(s)	Substitute Part Number	Substitute Alias Part Number(s)	Description Of Difference
2102772-1	NO						

Customer: Future Electronics Inc (1290208)

Location: Southaven

Agreement Number: Agreement Unknown

Part Number(s) being Modified:

Part Number	Part Discontinued per PCN	Customer Drawing	Customer Part Number	Alias Part Number(s)	Substitute Part Number	Substitute Alias Part Number(s)	Description Of Difference
1410189-3	NO						
1410972-4	NO						
2102772-1	NO						

Customer: Future Electronics Ltd (2895038)

Location: Leipzig

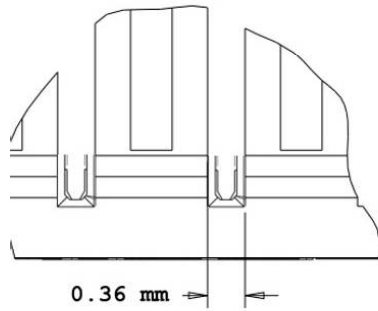
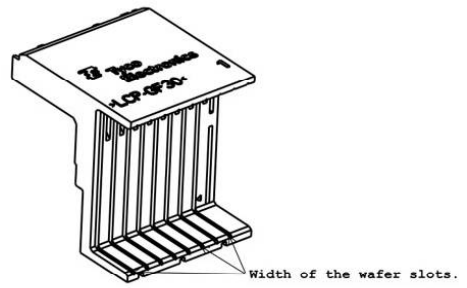
Agreement Number: Agreement Unknown

Part Number(s) being Modified:

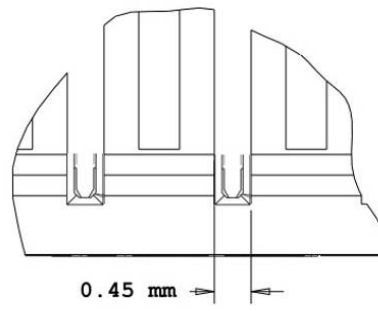
Part Number	Part Discontinued per PCN	Customer Drawing	Customer Part Number	Alias Part Number(s)	Substitute Part Number	Substitute Alias Part Number(s)	Description Of Difference
2302786-1	NO						

TE MULTIGIG shroud, Half size.

Increase the width of the wafer slots on housing(Shroud) by 0.9mm. See the Images below.



Before



After