



Product /Process Change Notification

PCN Number:PCN-20220117

Create Date: 04/29/2022

Issue By: Harriet Wang

Customer name: ALL Customer

1. Change Type:Add additional manufacturing site (Lite-On Thailand factory) of HP4 package

Complete name: LITE-ON ELECTRONICS (THAILAND) CO LTD

Address: 38/4 MOO 1 RANGSIT-ONGKARAK RD BUNGYEETOH TANYABURI PHATHUMTHANI, 12130 Thailand

2.Parts Affected or Product Description: HP4 package – LTV-24X series

3. Description and Extent of Change: Lite-On uses identical materials all 3 factories Thailand, Tianjin and Changzhou site

Factory identification mark shall be marked (No marking: China - Tianjin / Changzhou, Y: Thailand)

4.Reasona of Change: 1) Lite-On Technology Corporation will add an additional site (Lite-On Thailand factory) of HP4 package as Business Continuity Plan.

2) Starting from 1st Aug 2022, Lite-On Thailand factory will be supporting Lite-On Photocoupler capacity for HP4 package.

3) With (Lite-On Thailand factory, Lite-On Changzhou factory, Lite-On Tianjin factory) Lite-On Technology Corporation will continue to support and ensure better quality product, lead-time and delivery schedule for our customers.

5.Effective Date of Change: EXPECTED FIRST DEVICE SHIPMENT (From Thailand factory): 1st Aug. 2022

6. Availability of Sample and Datasheet: After 1st Jun. 2022

Customer Approval Portion :

* Approved (____) ,

LITE-ON DCC

RELEASE

QLS-OD-FC006/A4

Product /Process Change Notification

PCN Type: (Major)

Add additional manufacturing site (Lite-On Thailand factory) of HP4 package

Complete name: LITE-ON ELECTRONICS (THAILAND) CO LTD

Address: 38/4 MOO 1 RANGSIT-ONGKARAK RD BUNGYEETOH TANYABURI
PHATHUMTHANI, 12130 Thailand

***NOTICE**

- 1) Lite-On Technology Corporation will add an additional site (Lite-On Thailand factory) of HP4 package as Business Continuity Plan.
- 2) Starting from 1st Aug. 2022, Lite-On Thailand factory will be supporting Lite-On Photocoupler capacity for HP4 package.
- 3) With (Lite-On Thailand factory, Lite-On Changzhou factory, Lite-On Tianjin factory) Lite-On Technology Corporation will continue to support and ensure better quality product, lead-time and delivery schedule for our customers.

EFFECTIVITY:

EXPECTED FIRST DEVICE SHIPMENT (From Thailand factory): 1st Aug 2022

PRODUCT DESCRIPTION:

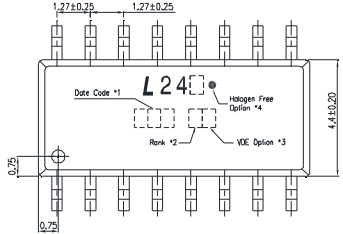
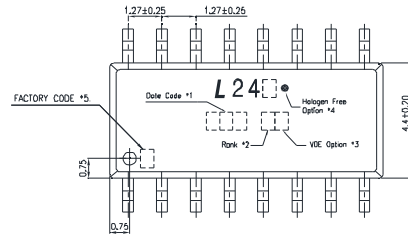
HP4 package – LTV-24X series

Product /Process Change Notification

DESCRIPTION OF CHANGE:

Lite-On uses identical materials all 3 factories Thailand, Tianjin and Changzhou site

Factory identification mark shall be marked (No marking: China - Tianjin / Changzhou, Y: Thailand)

	Currently	Add
Factory site	Tianjin/ Changzhou	Thailand
LTV-24X Image		

QUALIFICATION APPROVED REPORT:

Will be available: After 1st Jun. 2022

SAMPLE TIME:

Sample availability from Thailand factory:

Date: After 1st Jun. 2022

Sample Quantity: please advice

MPN's:

LTV-244

LTV-244-G

LTV247-V-G

LTV-247

LTV-247-G

LTV247-V-G