

## PRODUCT CHANGE NOTIFICATION

PCN Number: 432

Date of Issue: 08/08/2017

PCN Effective Date: 08/08/2017

Last Time Buy Date: N/A

Last Time Ship Date: N/A

Type of Change: DESIGN

Title of Change: Datasheet Update for LFB and LFC Series

Reason of Change: The tolerances of the dimensions of the Series are updated. The updated datasheet is available on the website. Page 3 and 4 of this Product Change Notification show the changes.

Notice: There have been no changes to the product itself, this is only a product datasheet update, available on the website.

Sannah Vinding

Director of Product Development & Marketing: \_\_\_\_\_



VCC Contact Name: [customerservice@vcclite.com](mailto:customerservice@vcclite.com) Phone Number: (800)5225546

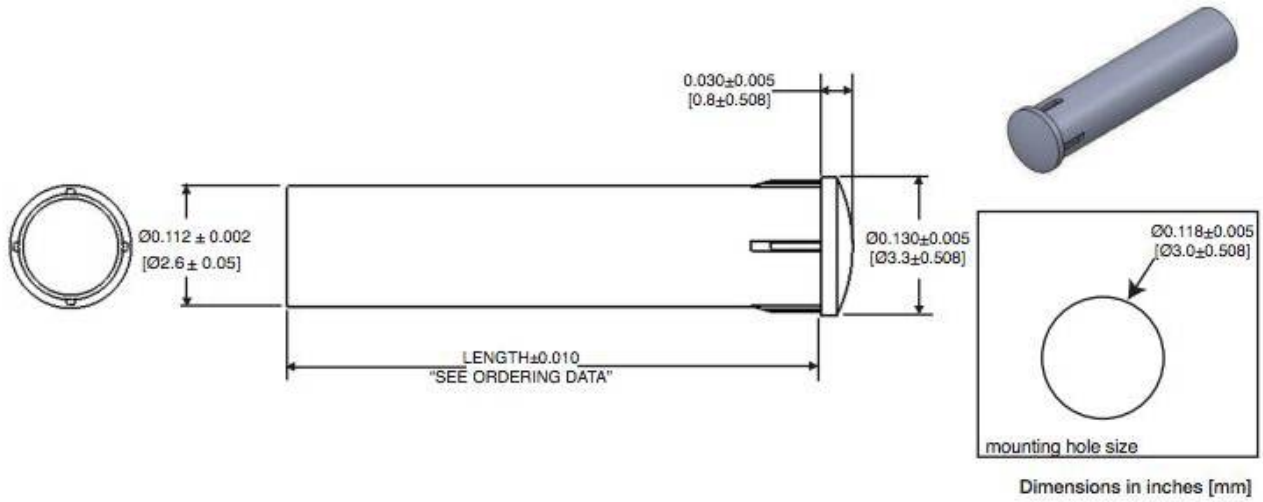
Form 7.2.3-1 Product Change Notification Rev 02/11/2016

AFFECTED PART NUMBER		
Part Number	Description	Suggested Alternative Part Number(s)
LFB012CTP	LTP Rigid Panel Round .118"D .125"L 3mm	-
LFB025CTP	LTP Rigid Panel Round .118"D .250"L 3mm	-
LFB035CTP	LTP Rigid Panel Round .118"D .350"L 3mm	-
LFB037CTP	LTP Rigid Panel Round .118"D .370"L 3mm	-
LFB050CTP	LTP Rigid Panel Round .118"D .500"L 3mm	-
LFB063CTP	LTP Rigid Panel Round .118"D .625"L 3mm	-
LFB075CTP	LTP Rigid Panel Round .118"D .750"L 3mm	-
LFB100CTP	LTP Rigid Panel Round .118"D 1.000"L 3mm	-
LFC012CTP	LTP Rigid Panel Round .153"D .125"L 5mm	-
LFC025CTP	LTP Rigid Panel Round .153"D .250"L 5mm	-
LFC035CTP	LTP Rigid Panel Round .153"D .350"L 5mm	-
LFC037CTP	LTP Rigid Panel Round .153"D .370"L 5mm	-
LFC050CTP	LTP Rigid Panel Round .153"D .500"L 5mm	-
LFC063CTP	LTP Rigid Panel Round .153"D .625"L 5mm	-
LFC075CTP	LTP Rigid Panel Round .153"D .750"L 5mm	-
LFC100CTP	LTP Rigid Panel Round .153"D 1.000"L 5mm	-

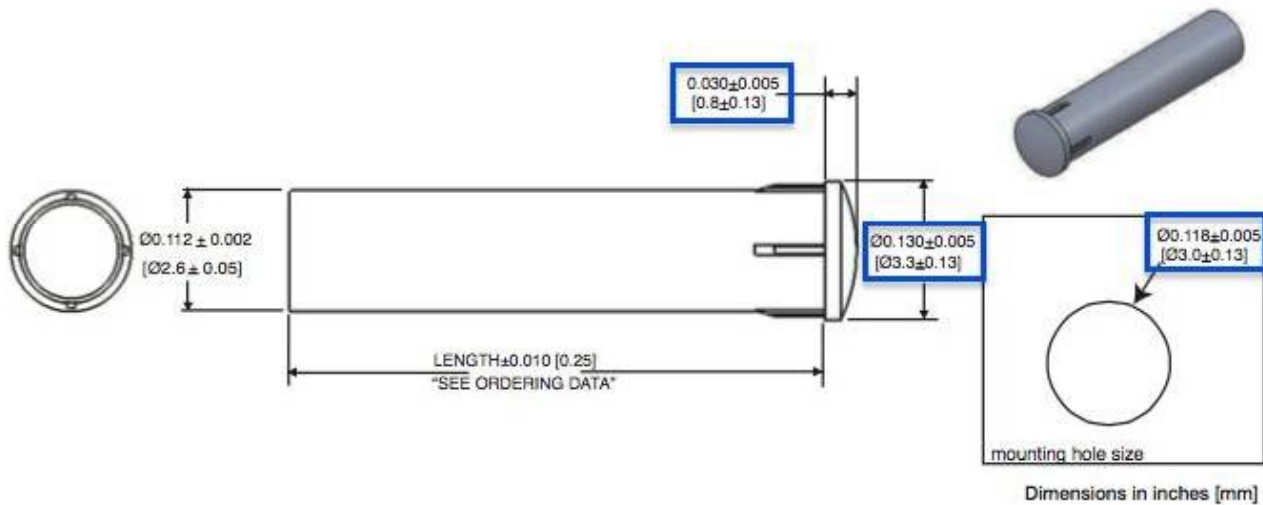
VCC Contact Name: [customerservice@vcclite.com](mailto:customerservice@vcclite.com) Phone Number: (800)5225546

Form 7.2.3-1 Product Change Notification Rev 02/11/2016

LFB Series Old Product Dimensions:



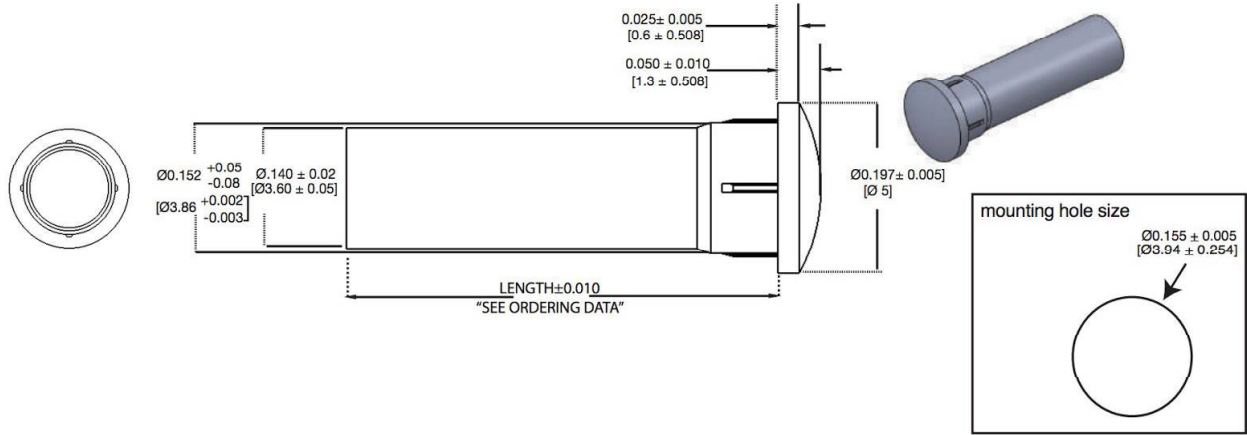
LFB Series New Product Dimensions



VCC Contact Name: [customerservice@vcclite.com](mailto:customerservice@vcclite.com) Phone Number: (800)5225546

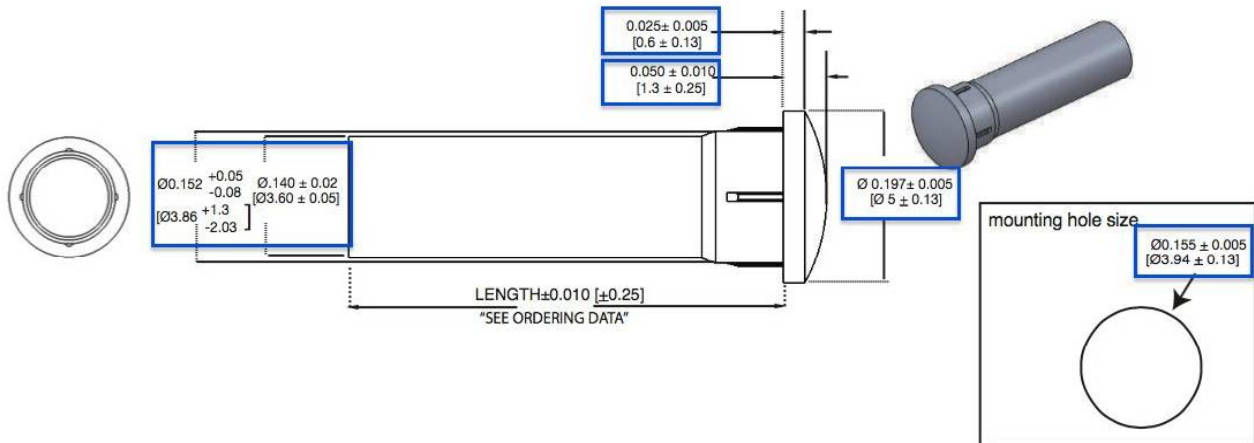
Form 7.2.3-1 Product Change Notification Rev 02/11/2016

LFC Series Old Product Dimensions:



Dimensions in inches [mm]

LFC Series New Product Dimensions:



Dimensions in inches [mm]

VCC Contact Name: [customerservice@vcclite.com](mailto:customerservice@vcclite.com) Phone Number: (800)5225546

Form 7.2.3-1 Product Change Notification Rev 02/11/2016