



## Product Change Notification

Current Date: 19-Mar-2021

## TE Connectivity

Product Change Notification: E-20-002171

PCN Date: 18-MAR-21

Customer: Future Electronics(0000080100)

Location: WORLDWIDE

Agreement: Agreement Unknown

TE would like to inform you of the following change(s) to the listed TE Connectivity Product. In case of any further questions about this change(s), please contact your TE Connectivity Sales Engineer. Affected part, drawing and/or specification numbers are listed on the attached sheet(s).

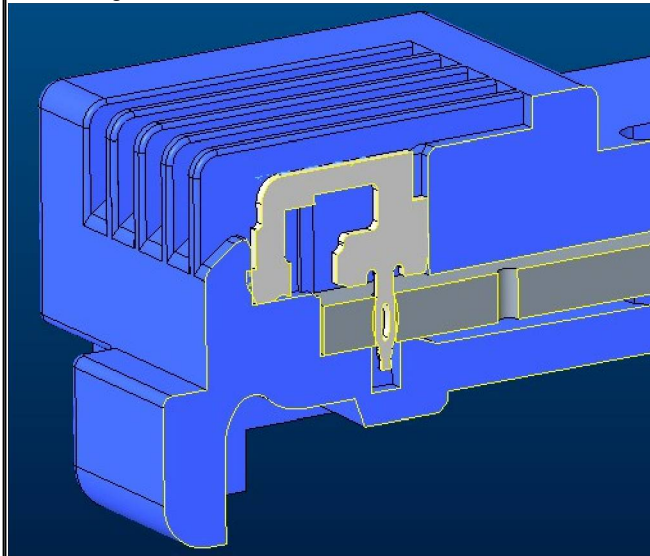
## General Product Description:

VARIANT 14; METAL PLUG, VARIANT 14 COUPLER, VARIANT 14; JACK METAL,RJ45

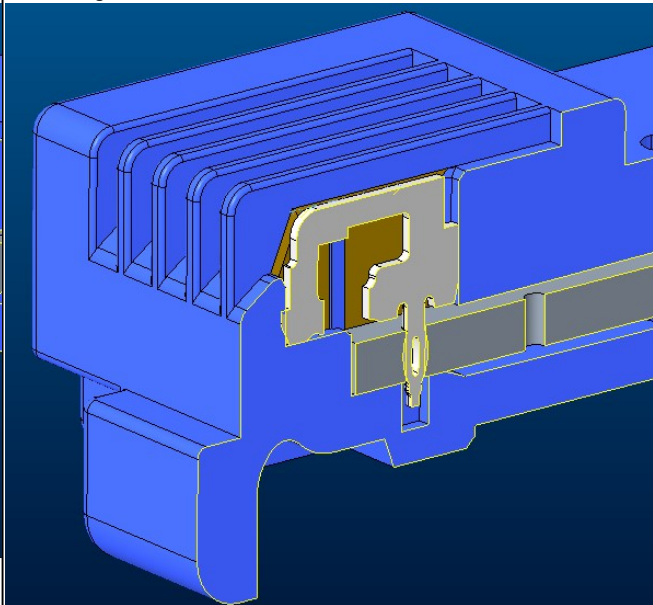
## Description of Changes

The following part numbers are being obsoleted (obsolete status). If there are suggested TE Connectivity substitute part numbers or alternate part numbers, they are shown below with any significant difference described. Please verify that all substitute or alternate part numbers provided below are suitable for your specific application- Drawings are available via TE.com.

## Before Change



## After Change



## Other attachments:

[Replacement Part information](#)

## Reason for Changes:

Discontinuance. Dear Customer, You are receiving this notice because TE Connectivity has record of you purchasing a part or multiple parts on the list below. Within our continued efforts to manage/ optimize our product portfolio throughout the lifecycle, we've made the decision to obsolete the parts stated thereafter.

## Estimated Dates:

Last Order Date (Obsolete Parts Only):

15-JUN-2021

First Date To Ship (Changed Parts Only):

Last Ship Date (Obsolete Parts Only):

15-JUL-2021

Last Date for Mixed Shipments: (Changed Parts Only):

No Mixed Shipments

## Part Number(s) being Modified:

Part Number	Part Discontinued per PCN	Customer Drawing	Customer Part Number	Alias Part Number(s)	Substitute Part Number	Substitute Alias Part Number(s)	Description Of Difference
<a href="#">2-2120864-1</a>	YES				1-2120864-1		non Fiber-optic version
<a href="#">2-2120864-1</a>	YES				1-2120864-1		non Fiber-optic version
<a href="#">2-2120871-1</a>	YES				1-2120871-1		non Fiber-optic version
<a href="#">2-2120871-1</a>	YES				1-2120871-1		non Fiber-optic version
<a href="#">7-2120875-1</a>	YES				1-2120871-1		jack only, 4P
<a href="#">7-2120875-1</a>	YES				1-2120871-1		jack only, 4P

The documents listed below are being modified. Related parts that are not explicitly listed on this PCN are not being modified or discontinued as per the PCN. The Last Order Date, Last Ship Date, First Date to Ship Changed Parts and last date for Mixed Shipments apply only to parts explicitly listed on this PCN.

## Customer Drawing(s) Being Modified:

Drawing Number	Related Part Number	Customer Part Number	Current Revision	New Revision
<a href="#">2120871</a>	2-2120871-1		B2	

Customer: Future Electronics Inc. ( 1319888 )

Location: Singapore

Agreement Number: Agreement Unknown

## Part Number(s) being Modified:

Part Number	Part Discontinued per PCN	Customer Drawing	Customer Part Number	Alias Part Number(s)	Substitute Part Number	Substitute Alias Part Number(s)	Description Of Difference
<a href="#">2-2120864-1</a>	YES				1-2120864-1		non Fiber-optic version
<a href="#">2-2120871-1</a>	YES				1-2120871-1		non Fiber-optic version
<a href="#">7-2120875-1</a>	YES				1-2120871-1		jack only, 4P

The documents listed below are being modified. Related parts that are not explicitly listed on this PCN are not being modified or discontinued as per the PCN. The Last Order Date, Last Ship Date, First Date to Ship Changed Parts and last date for Mixed Shipments apply only to parts explicitly listed on this PCN.

## Customer Drawing(s) Being Modified:

Drawing Number	Related Part Number	Customer Part Number	Current Revision	New Revision
<a href="#">2120871</a>	2-2120871-1		B2	

Customer: Future Electronics Inc. ( 2883079 )

Location: Singapore

Agreement Number: Agreement Unknown

## Part Number(s) being Modified:

Part Number	Part Discontinued per PCN	Customer Drawing	Customer Part Number	Alias Part Number(s)	Substitute Part Number	Substitute Alias Part Number(s)	Description Of Difference
<a href="#">2-2120864-1</a>	YES				1-2120864-1		non Fiber-optic version
<a href="#">2-2120871-1</a>	YES				1-2120871-1		non Fiber-optic version
<a href="#">7-2120875-1</a>	YES				1-2120871-1		jack only, 4P

TYCO ELECTRONICS CORP_PART_NBR	PART_DESC	replacement	Description of Difference
1711343-1	AMP-TWIST JACK,6S,SIDE,NO DC	1711716-1	Outlet direction
1987671-1	IP20 FRAME CAT6	1-2120871-1	part of kit
1987672-1	IP20 FRAME CAT5	2120871-2	part of kit
1987673-1	IP65/67 PUSH-PULL FRAME CAT6	1-2120871-1	part of kit
1987674-1	IP65/67 PUSH-PULL FRAME CAT5	2120871-2	part of kit
2153448-4	AMP-TWIST SLX,6S,VIO	1711716-1	AWG26 not supported
2-2120864-1	VARIANT 14; METAL PLUG,FO,LC,SINGLE MODE	1-2120864-1	non Fiber-optic version
3-2120864-1	VARIANT 14; METAL PLUG,FO,LC,MULTI MODE	1-2120864-1	non Fiber-optic version
4-2120864-1	VARIANT 14; METAL PLUG, RJ45,CAT5E,4POS.	2120864-1	8P
2120875-1	VARIANT 14 COUPLER; RJ45,CAT5E,8 POS.	2120871-2	jack only
1-2120875-1	VARIANT 14 COUPLER;RJ45,CAT6A,8P,180DEG	1-2120871-1	jack only
2-2120875-1	VARIANT 14 COUPLER; PLUG & JACK, FO, SM	1-2120871-1	jack only, non Fiber-optic version
3-2120875-1	VARIANT 14 COUPLER; PLUG & JACK, FO, MM	1-2120871-1	jack only, non Fiber-optic version
4-2120875-1	VARIANT 14 COUPLER;RJ45,CAT5E,4POS.	1-2120871-1	jack only, RJ45 to wire
5-2120875-1	VARIANT 14 COUPLER;RJ45,CAT5E,8P,90DEG	1-2120871-1	jack only, 4P, Outlet direction
6-2120875-1	VARIANT 14 COUPLER;RJ45,CAT5E,4P,90DEG	1-2120871-1	jack only, Outlet direction
7-2120875-1	VARIANT 14 COUPLER;RJ45,CAT5E,8P,180DEG	1-2120871-1	jack only, 4P
8-2120875-1	VARIANT 14 COUPLER;RJ45,CAT5E,4P,180DEG	1-2120871-1	jack only, AWG26 not supported
2120871-1	VARIANT 14; JACK METAL,RJ45,PASS THROUGH	2120871-2	no gasket / instruction sheet
2-2120871-1	VARIANT 14; METAL JACK,FO,LC,SINGLE MODE	1-2120871-1	non Fiber-optic version
3-2120871-1	VARIANT 14; METAL JACK,FO,LC,MULTI MODE	1-2120871-1	non Fiber-optic version
4-2120871-1	VARIANT 14;METAL JACK,RJ45,CAT5E,90 DEG.	1-2120871-1	Outlet direction
5-2120871-1	VARIANT 14;METAL JACK,RJ45,CAT5E,180 DEG	1-2120871-1	AWG26 not supported