



Product Change Notification / KSRA-15BCAH919

Date:

09-Dec-2020

Product Category:

Memory

PCN Type:

Manufacturing Change

Notification Subject:

CCB 4437 Final Notice: Implement MMT shipping tube for selected AT27xxxx, AT28xxxx and SST39xxxx products available in 32L PLCC package.

Affected CPNs:

[KSRA-15BCAH919_Affected_CPN_12092020.pdf](#)
[KSRA-15BCAH919_Affected_CPN_12092020.csv](#)

Notification Text:**PCN Status:**

Final notification.

PCN Type: Manufacturing Change

Microchip Parts Affected: Please open one of the icons found in the Affected CPNs section above.

NOTE: For your convenience Microchip includes identical files in two formats (.pdf and .xls).

Description of Change: Implement MMT shipping tube for selected AT27xxxx, AT28xxxx and SST39xxxx products available in 32L PLCC package.

Pre Change:

LPI shipping tube

Post Change:

MMT shipping tube

Pre and Post Change Summary:

| | Pre Change | Post Change |
|---------------|--|-------------------|
| Shipping Tube | LPI shipping tube | MMT shipping tube |
| | See attached photos for the pre and post changes | |

Impacts to Data Sheet: None

Change Impact:None

Reason for Change:To improve on-time delivery performance by implementing MMT shipping tube

Change Implementation Status:In Progress

Estimated First Ship Date:

December 26, 2020 (date code: 2052)

NOTE: Please be advised that after the estimated first ship date customers may receive pre and post change parts.

Time Table Summary:

| | November 2020 | | | | December 2020 | | | |
|-------------------------------|---------------|----|----|----|---------------|----|----|----|
| Workweek | 45 | 46 | 47 | 48 | 49 | 50 | 51 | 52 |
| Final PCN Issue Date | | | | X | | | | |
| Estimated Implementation Date | | | | | | | | X |

Method to Identify Change: Traceability code, shipping tube

Qualification Report:Not applicable

Revision History:**November 26, 2020:** Issued final notification. **December 09, 2020:** Re-issued final notification to update affected CPN List.

The change described in this PCN does not alter Microchip's current regulatory compliance regarding the material content of the applicable products.

Attachments:

[PCN_KSRA-15BCAH919_Pre and Post Change Summary.pdf](#)

Please contact your local [Microchip sales office](#) with questions or concerns regarding this notification.

Terms and Conditions:

If you wish to receive Microchip PCNs via email please register for our PCN email service at our [PCN home page](#) select register then fill in the required fields. You will find instructions about registering for Microchips PCN email service in the [PCN FAQ](#) section.

If you wish to change your PCN profile, including opt out, please go to the [PCN home page](#) select login and sign into your myMicrochip account. Select a profile option from the left navigation bar and make the applicable selections.

**Implement MMT shipping tube
for selected AT27xxxx, AT28xxxx
and SST39xxxx products available
in 32L PLCC package.**



A Leading Provider of Smart, Connected and Secure Embedded Control Solutions

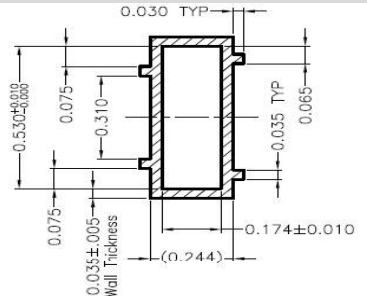
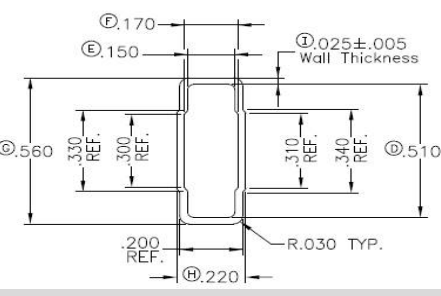


SMART | CONNECTED | SECURE

**KSRA-15BCAH919
CCB 4437**

Shipping Tube Pre and Post Change

☐ Tube Comparison (AT27xxxx and AT28xxxx Products):

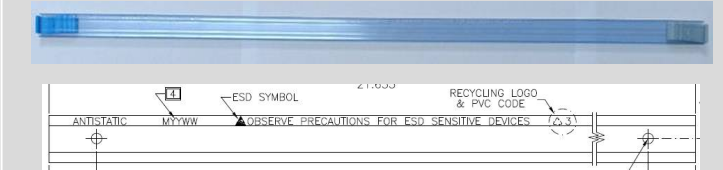
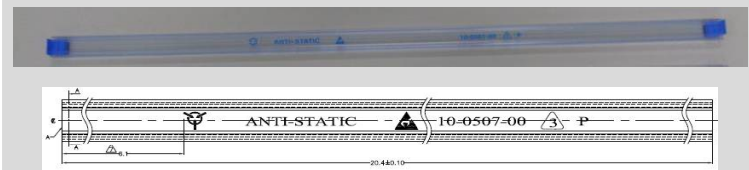
| Pre change | Post change |
|---|--|
| Tube Dimension | |
| <p>Length: 20.40+/-0.10 inch Width: 0.600+0.015/-0.005 inch Tube Opening Length (A): 0.174 + 0.010 inch Tube Opening Width (B): 0.530+0.010/-0.000 inch Wall thickness (T): 0.035 + 0.005 Tube Opening:</p>  | <p>Length: 21.70 ± 0.045 inch Width: 0.560 ± 0.015 inch Tube Opening Length (A): 0.170 ± 0.010 inch Tube Opening Width (B): 0.510 ± 0.010 inch Wall thickness (T): 0.025 ± 0.005 inch Tube Opening:</p>  |

Shipping Tube Pre and Post Change

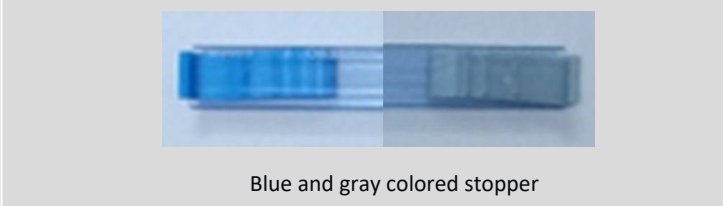
| Pre change | Post change |
|------------|-------------|
|------------|-------------|

Tube Photo and Illustration

For AT27xxxx and AT28xxxx Products

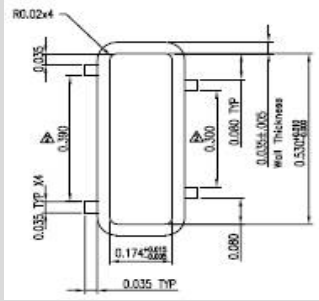
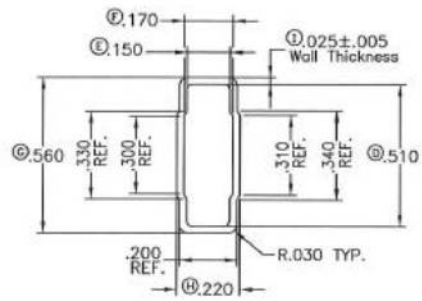


Tube Stopper


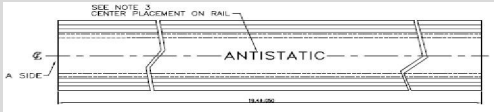

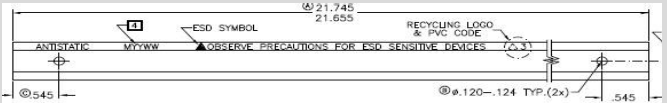
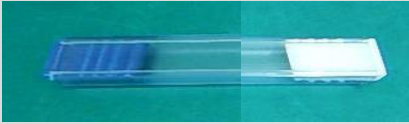
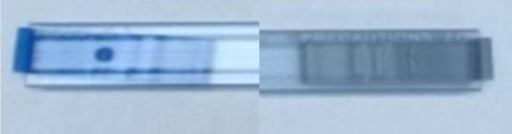


Shipping Tube Pre and Post Change

☐ Tube Comparison (SST39xxxx products):

| Pre change | Post change |
|--|---|
| Tube Dimension | |
| <p>Length: 19.40+/-0.05 inch Width: 0.600+0.015/-0.005 inch Tube Opening Length (A): 0.174+0.010/-0.005 inch Tube Opening Width (B): 0.530+0.010/-0.000 inch Wall thickness (T): 0.035 ± 0.005</p> <p>Tube Opening:</p>  | <p>Length: 20.02 ± 0.05 inch Width: 0.560 ± 0.015 inch Tube Opening Length (A): 0.170 ± 0.010 inch Tube Opening Width (B): 0.510 ± 0.010 inch Wall thickness (T): 0.025 ± 0.005 inch</p> <p>Tube Opening:</p>  |

Shipping Tube Pre and Post Change

| Pre change | Post change |
|---|---|
| Tube Photo and Illustration | |
| <p>For SST39xxxx products</p>   |   |
| Tube Stopper | |
|  <p data-bbox="347 1367 651 1398">Blue and white colored stopper</p> |  <p data-bbox="1078 1367 1365 1398">Blue and gray colored stopper</p> |

Shipping Tube Pre and Post Change



KSRA-15BCAH919 - CCB 4437 AT28xxxx and SST39xxxx products available in 32L PLCC package.

Affected Catalog Part Numbers(CPN)

AT28C64B-15JU
AT28HC64B-70JU
AT28HC64B-90JU
AT28HC64B-12JU
AT28HC64BF-12JU
AT28BV64B-20JU
AT27BV256-70JU
AT27LV256A-90JU
AT27LV512A-90JU
AT27BV010-90JU
AT27LV010A-70JU
AT27LV020A-12JU
AT27C256R-45JU
AT27C256R-70JU
AT27C256R-70JU-306
AT27C512R-45JU
AT27C512R-70JU
AT27C020-55JU
AT27C020-90JU
AT27C010-45JU
AT27C010-70JU
SST39LF040-55-4C-NHE
SST39LF020-55-4C-NHE
SST39LF010-55-4C-NHE
SST39LF020-55-4C-NHE-RVL
SST39LF040-55-4C-NHE-RVL
SST39VF040-70-4C-NHE
SST39VF020-70-4C-NHE
SST39VF010-70-4C-NHE
SST39VF040-70-4C-NHE-DP003
SST39VF040-70-4C-NHE-PP013
SST39VF040-70-4C-NHE-RVL
SST39LF040-55-4C-NHE-A3
SST39VF020-70-4C-NHE-RVL
SST39LF010-55-4C-NHE-RVL
SST39VF040-70-4I-NHE
SST39VF020-70-4I-NHE
SST39VF010-70-4I-NHE
SST39LF020-55-4C-NHE
SST39VF020-70-4C-NHE
SST39LF010-55-4C-NHE
SST39VF010-70-4C-NHE

SST39LF040-55-4C-NHE
SST39VF040-70-4C-NHE
SST39LF040-55-4C-NHE-A3
SST39VF020-70-4I-NHE
SST39VF010-70-4I-NHE
SST39VF040-70-4I-NHE
SST39SF040-55-4C-NHE
SST39SF020A-55-4C-NHE
SST39SF010A-55-4C-NHE
SST39SF040-70-4C-NHE
SST39SF020A-70-4C-NHE
SST39SF010A-70-4C-NHE
SST39SF040-70-4C-NHE-PP009
SST39SF040-55-4I-NHE
SST39SF020A-55-4I-NHE
SST39SF010A-55-4I-NHE
SST39SF040-70-4I-NHE
SST39SF020A-70-4I-NHE
SST39SF010A-70-4I-NHE
SST39SF010A-55-4C-NHE
SST39SF010A-70-4C-NHE
SST39SF010A-45-4I-NHE
SST39SF010A-55-4I-NHE
SST39SF010A-70-4I-NHE
SST39SF040-55-4C-NHE
SST39SF040-70-4C-NHE
SST39SF040-70-4C-NHE-PP009
SST39SF040-70-4I-NHE