



## Product Change Notification / SYST-02FSIE249

---

**Date:**

04-Dec-2020

**Product Category:**

Power Management - System Supervisors/Voltage Detectors

**PCN Type:**

Document Change

**Notification Subject:**

Data Sheet - MIC803 Data Sheet

**Affected CPNs:**

[SYST-02FSIE249\\_Affected\\_CPN\\_12042020.pdf](#)

[SYST-02FSIE249\\_Affected\\_CPN\\_12042020.csv](#)

**Notification Text:**

SYST-02FSIE249

Microchip has released a new Product Documents for the MIC803 Data Sheet of devices. If you are using one of these devices please read the document located at [MIC803 Data Sheet](#).

**Notification Status:** Final

**Description of Change:**

- 1) Converted Micrel document MIC803 to Microchip data sheet template DS20006456A.
- 2) Minor grammatical text changes throughout.

**Impacts to Data Sheet:** None

**Reason for Change:** To Improve Manufacturability

**Change Implementation Status:** Complete

**Date Document Changes Effective:** 04 Dec 2020

**NOTE:** Please be advised that this is a change to the document only the product has not been changed.

**Markings to Distinguish Revised from Unrevised Devices:** N/A

## **Attachments:**

[MIC803 Data Sheet](#)

Please contact your local [Microchip sales office](#) with questions or concerns regarding this notification.

## **Terms and Conditions:**

If you wish to receive Microchip PCNs via email please register for our PCN email service at our [PCN home page](#) select register then fill in the required fields. You will find instructions about registering for Microchips PCN email service in the [PCN FAQ](#) section.

If you wish to change your PCN profile, including opt out, please go to the [PCN home page](#) select login and sign into your myMicrochip account. Select a profile option from the left navigation bar and make the applicable selections.

Affected Catalog Part Numbers (CPN)

- MIC803-26D2VC3-TR
- MIC803-26D3VC3-TR
- MIC803-29D2VC3-TR
- MIC803-29D3VC3-TR
- MIC803-30D2VC3-TR
- MIC803-30D4VC3-TR
- MIC803-31D2VC3-TR
- MIC803-31D4VC3-TR
- MIC803-40D2VC3-TR
- MIC803-40D3VC3-TR
- MIC803-40D4VC3-TR
- MIC803-41D3VC3-TR
- MIC803-41D4VC3-TR
- MIC803-44D2VC3-TR
- MIC803-44D3VC3-TR
- MIC803-44D4VC3-TR
- MIC803-46D2VC3-TR
- MIC803-46D3VC3-TR
- MIC803-46D4VC3-TR
- MIC803-26D2VM3-TR
- MIC803-26D3VM3-TR
- MIC803-26D4VM3-TR
- MIC803-29D2VM3-TR
- MIC803-29D3VM3-TR
- MIC803-29D4VM3-TR
- MIC803-30D2VM3-TR
- MIC803-30D3VM3-TR
- MIC803-31D2VM3-TR
- MIC803-31D3VM3-TR
- MIC803-31D4VM3-TR
- MIC803-40D2VM3-TR
- MIC803-40D3VM3-TR
- MIC803-40D4VM3-TR
- MIC803-41D2VM3-TR
- MIC803-41D3VM3-TR
- MIC803-41D4VM3-TR
- MIC803-44D2VM3-TR
- MIC803-44D3VM3-TR
- MIC803-46D2VM3-TR
- MIC803-46D3VM3-TR
- MIC803-46D4VM3-TR
- MIC803-26D2VC3-TR
- MIC803-31D4VC3-TR
- MIC803-40D2VC3-TR
- MIC803-40D3VC3-TR
- MIC803-41D3VC3-TR

MIC803-41D4VC3-TR  
MIC803-44D3VC3-TR  
MIC803-46D2VC3-TR  
MIC803-46D3VC3-TR  
MIC803-46D4VC3-TR  
MIC803-26D4VC3-TR  
MIC803-29D2VC3-TR  
MIC803-29D4VC3-TR  
MIC803-30D2VC3-TR  
MIC803-30D3VC3-TR  
MIC803-30D4VC3-TR  
MIC803-31D2VC3-TR  
MIC803-31D3VC3-TR  
MIC803-31D4VC3-TR  
MIC803-40D2VC3-TR  
MIC803-40D3VC3-TR  
MIC803-40D4VC3-TR  
MIC803-41D2VC3-TR  
MIC803-41D3VC3-TR  
MIC803-41D4VC3-TR  
MIC803-44D2VC3-TR  
MIC803-44D3VC3-TR  
MIC803-44D4VC3-TR  
MIC803-46D2VC3-TR  
MIC803-46D3VC3-TR  
MIC803-46D4VC3-TR  
MIC803-26D2VC3-TR  
MIC803-26D3VC3-TR  
MIC803-29D3VC3-TR  
MIC803-26D4VM3-TR  
MIC803-29D2VM3-TR  
MIC803-29D4VM3-TR  
MIC803-30D2VM3-TR  
MIC803-30D3VM3-TR  
MIC803-30D4VM3-TR  
MIC803-31D2VM3-TR  
MIC803-31D3VM3-TR  
MIC803-31D4VM3-TR  
MIC803-40D2VM3-TR  
MIC803-40D3VM3-TR  
MIC803-40D4VM3-TR  
MIC803-41D2VM3-TR  
MIC803-41D3VM3-TR  
MIC803-41D4VM3-TR  
MIC803-44D2VM3-TR  
MIC803-44D3VM3-TR  
MIC803-44D4VM3-TR  
MIC803-46D2VM3-TR  
MIC803-46D3VM3-TR

MIC803-46D4VM3-TR  
MIC803-26D2VM3-TR  
MIC803-26D3VM3-TR  
MIC803-29D3VM3-TR  
MIC803-26D4VC3-TR  
MIC803-29D2VC3-TR  
MIC803-29D4VC3-TR  
MIC803-30D2VC3-TR  
MIC803-30D3VC3-TR  
MIC803-30D4VC3-TR  
MIC803-31D2VC3-TR  
MIC803-31D3VC3-TR  
MIC803-31D4VC3-TR  
MIC803-40D2VC3-TR  
MIC803-40D3VC3-TR  
MIC803-40D4VC3-TR  
MIC803-41D2VC3-TR  
MIC803-41D3VC3-TR  
MIC803-41D4VC3-TR  
MIC803-44D2VC3-TR  
MIC803-44D3VC3-TR  
MIC803-44D4VC3-TR  
MIC803-46D2VC3-TR  
MIC803-46D3VC3-TR  
MIC803-46D4VC3-TR  
MIC803-26D2VC3-TR  
MIC803-26D3VC3-TR  
MIC803-29D3VC3-TR

## 3-Pin Microprocessor Supervisor Circuit with Open-Drain Reset Output

### Features

- 4.5  $\mu$ A Supply Current (Typical) at 3.6V
- Open-Drain /RESET Output
- /RESET Remains Valid with  $V_{CC}$  as Low as 1V
- 20 ms, 140 ms, or 1120 ms Minimum Reset Timeout Options
- 2.63V to 4.63V Preset Voltage Threshold Options
- 2.5% Voltage Threshold Accuracy over Temperature
- 3-Pin SC-70 Package (2.0 mm x 2.1 mm)
- 3-Pin SOT-23 Package (2.3 mm x 2.9 mm)
- $-40^{\circ}\text{C}$  to  $+125^{\circ}\text{C}$  Junction Temperature Range

### Applications

- Critical Microcomputer Power Monitoring
- Portable Equipment
- Solid State Drives
- Printers/Computers
- Embedded Controllers

### General Description

The MIC803 is a single-voltage supervisor with open-drain reset output that provides accurate power supply monitoring and reset generation in microprocessor-based systems. The function of the device is to assert a reset signal if the power supply voltage drops below the reset threshold voltage, and retain this reset for the reset timeout period once the power supply increases above the reset threshold voltage.

The MIC803 consumes only 4.5  $\mu$ A of supply current and offers three reset delay periods of 20 ms, 140 ms, and 1120 ms (minimum).

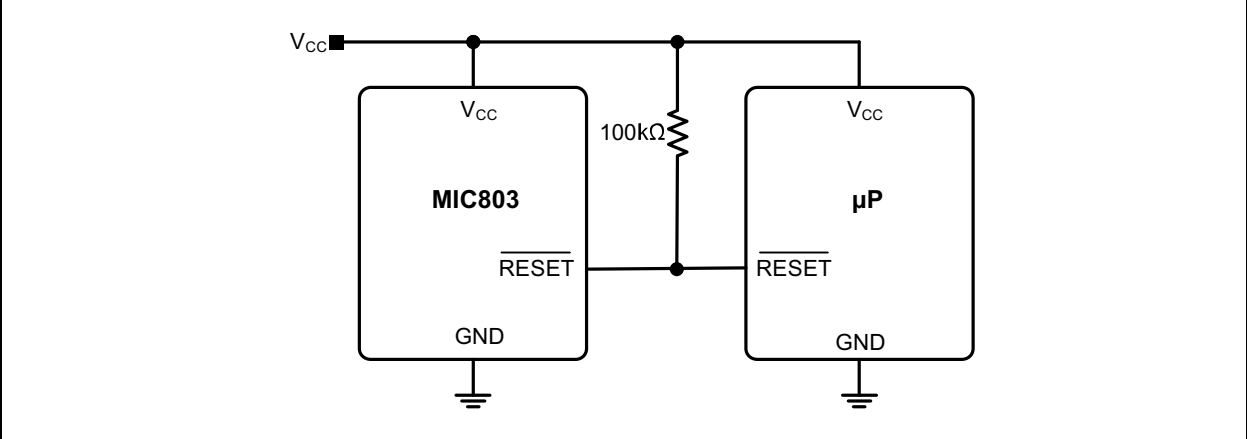
It features factory-programmed reset threshold levels from 2.63V to 4.63V to accommodate 3.0V, 3.3V, and 5.0V power supplies. It is available in the compact 3-pin SC-70 and SOT-23 packages.

### Package Types

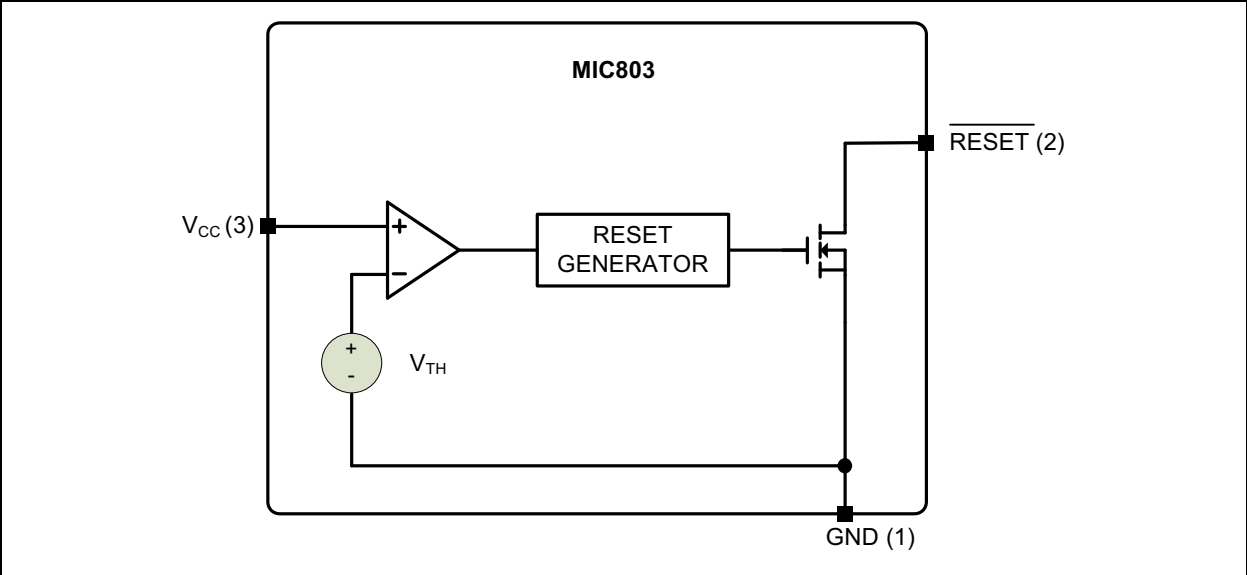


# MIC803

## Typical Application Circuit



## Functional Block Diagram



## 1.0 ELECTRICAL CHARACTERISTICS

### Absolute Maximum Ratings †

Supply Voltage ( $V_{CC}$ )	-0.3V to +6.0V
Reset Output (/RESET)	-0.3V to +6.0V
Input Current ( $V_{CC}$ )	20 mA
Output Current (/RESET)	20 mA
Rate of Rise ( $V_{CC}$ )	100V/ $\mu$ s
ESD Rating (Note 1)	3 kV

### Operating Ratings ‡

Supply Voltage ( $V_{CC}$ )	+1.0V to +5.5V
Reset Output Voltage (/RESET)	0V to +5.5V

† **Notice:** Stresses above those listed under “Absolute Maximum Ratings” may cause permanent damage to the device. This is a stress rating only and functional operation of the device at those or any other conditions above those indicated in the operational sections of this specification is not intended. Exposure to maximum rating conditions for extended periods may affect device reliability.

‡ **Notice:** The device is not guaranteed to function outside its operating rating.

**Note 1:** Devices are ESD sensitive. Handling precautions are recommended. Human body model, 1.5 k $\Omega$  in series with 100 pF.

## ELECTRICAL CHARACTERISTICS

**Electrical Characteristics:** For typical values,  $V_{CC} = 5.0V$  for MIC803-46/44/41/40,  $V_{CC} = 3.3V$  for MIC803-31/30/29,  $V_{CC} = 3.0V$  for MIC803-26;  $T_J = +25^\circ C$ , **Bold** values valid for  $-40^\circ C \leq T_J \leq +125^\circ C$ ; unless noted. (Note 1)

Parameter	Symbol	Min.	Typ.	Max.	Units	Conditions
<b>Power Supply Input</b>						
Operating Voltage Range	$V_{CC}$	1.0	—	5.5	V	$T_J = -40^\circ C$ to $+85^\circ C$
		1.2	—	5.5		$T_J = -40^\circ C$ to $+125^\circ C$
Supply Current	$I_{CC}$	—	5.5	15	$\mu A$	$T_J = -40^\circ C$ to $+85^\circ C$ , $V_{CC} = 5.5V$ , No Load
		—	4.5	10		$T_J = -40^\circ C$ to $+85^\circ C$ , $V_{CC} = 3.6V$ , No Load
		—	—	18		$T_J = +85^\circ C$ to $+125^\circ C$ , $V_{CC} = 5.5V$ , No Load
		—	—	13		$T_J = +85^\circ C$ to $+125^\circ C$ , $V_{CC} = 3.6V$ , No Load
<b>Voltage Threshold</b>						
Reset Threshold	$V_{TH}$	4.50	4.63	4.75	V	MIC803-46, $T_J = -40^\circ C$ to $+85^\circ C$
		4.44	—	4.82		MIC803-46, $T_J = -40^\circ C$ to $+125^\circ C$
		4.25	4.38	4.50		MIC803-44, $T_J = -40^\circ C$ to $+85^\circ C$
		4.20	—	4.56		MIC803-44, $T_J = -40^\circ C$ to $+125^\circ C$
		4.00	4.10	4.20		MIC803-41, $T_J = -40^\circ C$ to $+85^\circ C$
		3.97	—	4.24		MIC803-41, $T_J = -40^\circ C$ to $+125^\circ C$

**Note 1:** Specification for packaged product only.



# MIC803

## ELECTRICAL CHARACTERISTICS (CONTINUED)

**Electrical Characteristics:** For typical values,  $V_{CC} = 5.0V$  for MIC803-46/44/41/40,  $V_{CC} = 3.3V$  for MIC803-31/30/29,  $V_{CC} = 3.0V$  for MIC803-26;  $T_J = +25^\circ C$ , **Bold** values valid for  $-40^\circ C \leq T_J \leq +125^\circ C$ ; unless noted. (Note 1)

Parameter	Symbol	Min.	Typ.	Max.	Units	Conditions
Reset Threshold	$V_{TH}$	3.89	4.00	4.10	V	MIC803-40, $T_J = -40^\circ C$ to $+85^\circ C$
		3.80	—	4.20		MIC803-40, $T_J = -40^\circ C$ to $+125^\circ C$
		3.00	3.08	3.15		MIC803-31, $T_J = -40^\circ C$ to $+85^\circ C$
		2.95	—	3.21		MIC803-31, $T_J = -40^\circ C$ to $+125^\circ C$
		2.93	3.00	3.08		MIC803-30, $T_J = -40^\circ C$ to $+85^\circ C$
		2.90	—	3.11		MIC803-30, $T_J = -40^\circ C$ to $+125^\circ C$
		2.82	2.93	3.00		MIC803-29, $T_J = -40^\circ C$ to $+85^\circ C$
		2.81	—	3.05		MIC803-29, $T_J = -40^\circ C$ to $+125^\circ C$
		2.55	2.63	2.70		MIC803-26, $T_J = -40^\circ C$ to $+85^\circ C$
		2.50	—	2.76		MIC803-26, $T_J = -40^\circ C$ to $+125^\circ C$
<b>Reset Time</b>						
$V_{CC}$ to /RESET Delay	$t_D$	—	15	—	$\mu s$	$V_{CC} = V_{TH}$ to $(V_{TH} - 100\text{ mV})$
Reset Timeout Period	$t_{RESET}$	20	35	44	ms	D2, $T_J = -40^\circ C$ to $+85^\circ C$
		16	—	48		D2, $T_J = -40^\circ C$ to $+125^\circ C$
		140	230	360		D3, $T_J = -40^\circ C$ to $+85^\circ C$
		112	—	420		D3, $T_J = -40^\circ C$ to $+125^\circ C$
		1120	1800	2400		D4, $T_J = -40^\circ C$ to $+85^\circ C$
		900	—	3200		D4, $T_J = -40^\circ C$ to $+125^\circ C$
<b>Reset Output</b>						
/RESET Output Voltage	$V_{OL}$	—	—	<b>0.4</b>	V	$V_{CC} \geq 4.0V$ , $I_{SINK} = 3.2\text{ mA}$
		—	—	<b>0.3</b>		$V_{CC} \geq 2.5V$ , $I_{SINK} = 1.2\text{ mA}$
		—	—	<b>0.3</b>		$V_{CC} \geq 1.0V$ , $I_{SINK} = 50\text{ }\mu A$
/RESET Output Leakage	—	—	—	<b>1</b>	$\mu A$	$V_{CC} > V_{TH}$ , /RESET deasserted

**Note 1:** Specification for packaged product only.

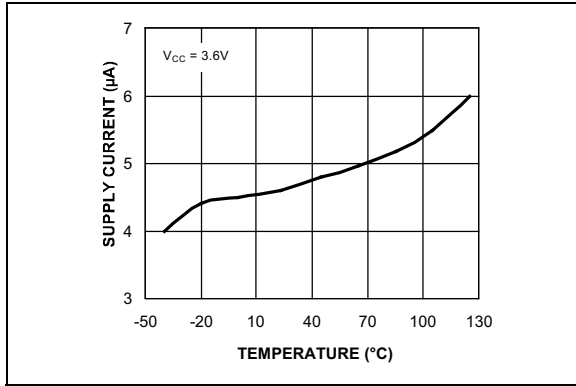
## TEMPERATURE SPECIFICATIONS

Parameters	Sym.	Min.	Typ.	Max.	Units	Conditions
<b>Temperature Ranges</b>						
Maximum Junction Temperature	$T_{J(MAX)}$	—	—	+150	°C	—
Storage Temperature Range	$T_S$	-65	—	+150	°C	—
Lead Temperature	—	—	—	+260	°C	Soldering, 10 sec.
Junction Temperature Range	$T_J$	-40	—	+125	°C	<a href="#">Note 1</a>
<b>Package Thermal Resistance</b>						
Thermal Resistance, SC-70, 3-Ld	$\theta_{JA}$	—	260	—	°C/W	—
Thermal Resistance, SOT-23, 3-Ld	$\theta_{JA}$	—	203	—	°C/W	—

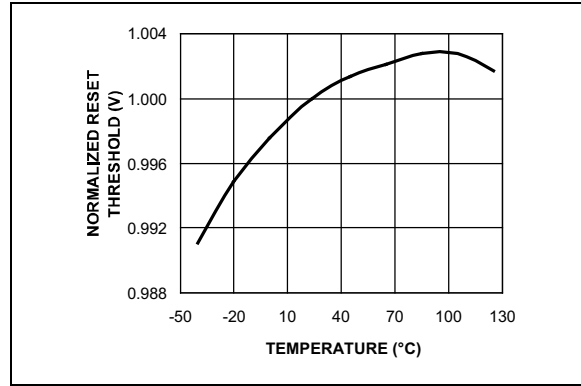
**Note 1:** The maximum allowable power dissipation is a function of ambient temperature, the maximum allowable junction temperature and the thermal resistance from junction to air (i.e.,  $T_A$ ,  $T_J$ ,  $\theta_{JA}$ ). Exceeding the maximum allowable power dissipation will cause the device operating junction temperature to exceed the maximum +125°C rating. Sustained junction temperatures above +125°C can impact the device reliability.

## 2.0 TYPICAL PERFORMANCE CURVES

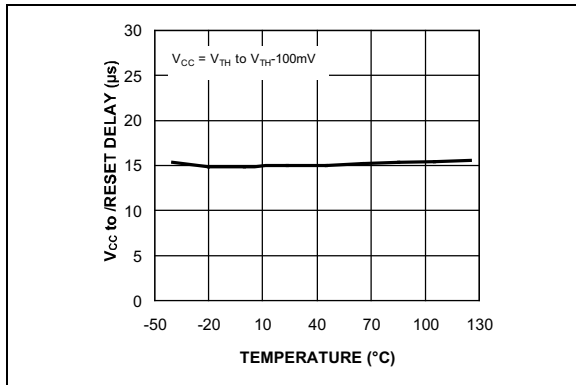
**Note:** The graphs and tables provided following this note are a statistical summary based on a limited number of samples and are provided for informational purposes only. The performance characteristics listed herein are not tested or guaranteed. In some graphs or tables, the data presented may be outside the specified operating range (e.g., outside specified power supply range) and therefore outside the warranted range.



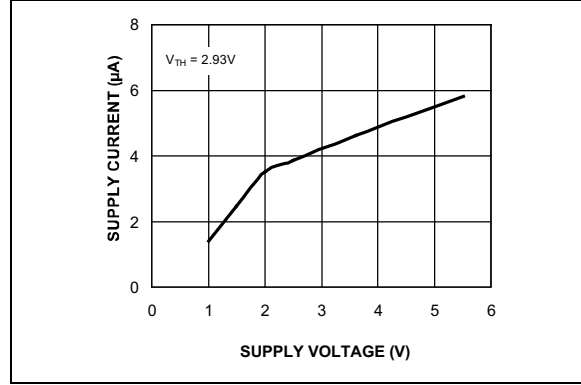
**FIGURE 2-1:**  $V_{CC}$  Operating Supply Current vs. Temperature.



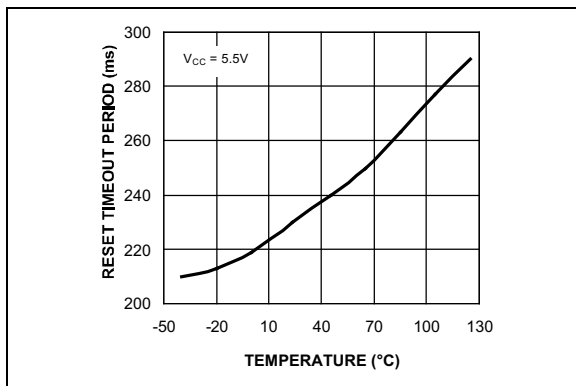
**FIGURE 2-4:** Normalized Reset Threshold vs. Temperature.



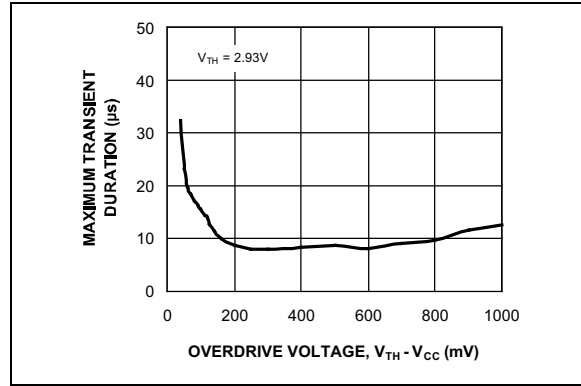
**FIGURE 2-2:**  $V_{CC}$  to /RESET Delay vs. Temperature.



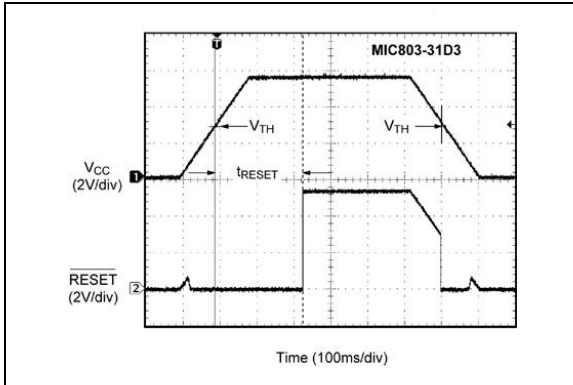
**FIGURE 2-5:**  $V_{CC}$  Operating Supply Current vs. Supply Voltage.



**FIGURE 2-3:** Reset Timeout Period (D3) vs. Temperature.

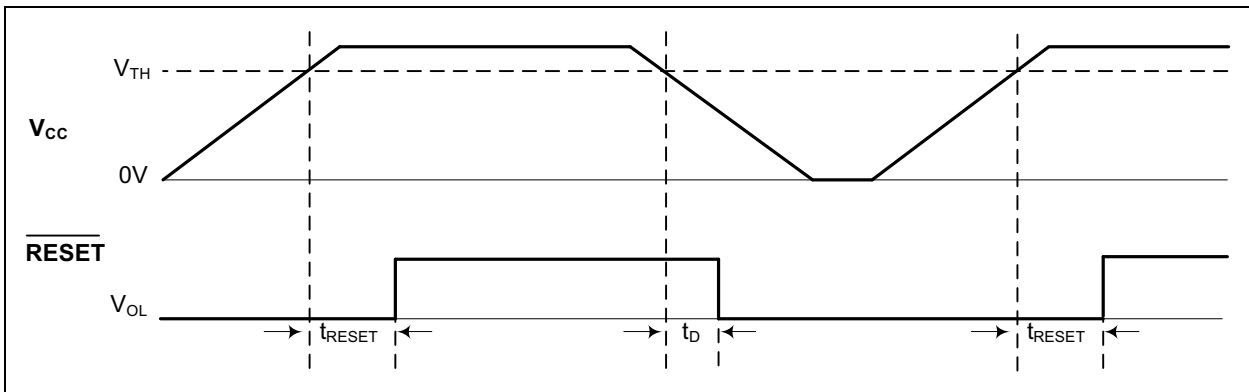


**FIGURE 2-6:** Maximum Transient Duration vs. Overdrive.



**FIGURE 2-7:** Supervisor Operation.

## Timing Diagram



# MIC803

---

## 3.0 PIN DESCRIPTIONS

The descriptions of the pins are listed in [Table 3-1](#).

**TABLE 3-1: PIN FUNCTION TABLE**

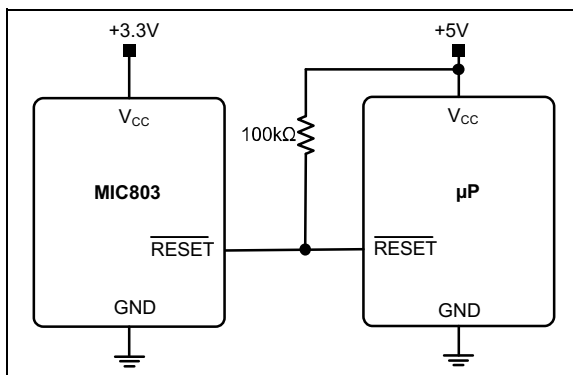
Pin Number	Pin Name	Description
1	GND	Ground.
2	/RESET	/RESET goes low if $V_{CC}$ falls below the reset threshold ( $V_{TH}$ ) and remains asserted for one timeout period after $V_{CC}$ exceeds $V_{TH}$ .
3	$V_{CC}$	Power supply input and monitored voltage.

## 4.0 APPLICATION INFORMATION

### 4.1 Microprocessor Reset

The  $\overline{\text{RESET}}$  pin is asserted whenever  $V_{\text{CC}}$  falls below the reset threshold voltage,  $V_{\text{TH}}$ . The  $\overline{\text{RESET}}$  pin remains asserted for the duration of the reset timeout period ( $t_{\text{RESET}}$ ) after  $V_{\text{CC}}$  has risen above the reset threshold voltage. The reset function ensures the microprocessor is properly reset and powers up in a known condition after a power failure.  $\overline{\text{RESET}}$  will remain valid with  $V_{\text{CC}}$  as low as 1.0V.

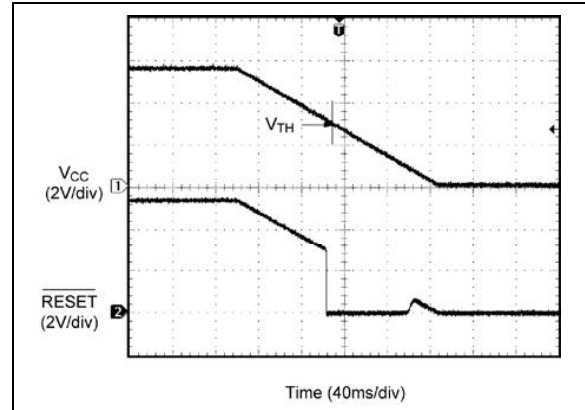
The  $\overline{\text{RESET}}$  output is a simple open-drain N-channel MOSFET structure. A pull-up resistor must be used to pull this output up to some voltage. For most applications, this voltage will be the same power supply that supplies  $V_{\text{CC}}$  to the MIC803. As shown in Figure 4-1, it is possible, however, to tie this resistor to some other voltage. This will allow the MIC803 to monitor one voltage while level-shifting the  $\overline{\text{RESET}}$  output to some other voltage. The pull-up voltage must be limited to 5.5V. The resistor must be small enough to supply current to the inputs and leakage paths that are driven by the  $\overline{\text{RESET}}$  output.



**FIGURE 4-1:** MIC803 Used in a Multiple Supply System.

### 4.2 $\overline{\text{RESET}}$ Valid at Low Voltage

As  $V_{\text{CC}}$  drops to 0V, the MIC803 will no longer be able to pull the  $\overline{\text{RESET}}$  output low, and the pull-up resistor will pull the output high. The value of the pull-up resistor and the voltage it is connected to will affect the point at which this happens.



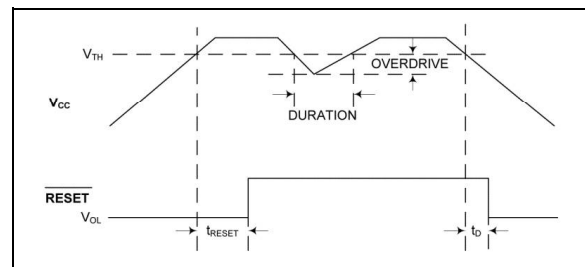
**FIGURE 4-2:**  $\overline{\text{RESET}}$  at Falling  $V_{\text{CC}}$ .

### 4.3 Wire ORing the $\overline{\text{RESET}}$ Output

Because the  $\overline{\text{RESET}}$  output is open-drain, several reset sources can be wire-ORed, in parallel, to allow resets from multiple sources.

### 4.4 $V_{\text{CC}}$ Transients

The MIC803 is relatively immune to negative-going  $V_{\text{CC}}$  glitches below the reset threshold (see Figure 2-6). As shown in Figure 4-3, the overdrive voltage is the difference between the threshold voltage and the minimum point of the  $V_{\text{CC}}$  glitch. Typically, an overdrive of 100 mV with duration of 15  $\mu\text{s}$  or less will not cause a reset. If additional transient immunity is needed, a 0.1  $\mu\text{F}$  bypass capacitor can be placed as close as possible to the MIC803 on the  $V_{\text{CC}}$  pin.



**FIGURE 4-3:**  $V_{\text{CC}}$  Threshold.

## 5.0 PACKAGING INFORMATION

### 5.1 Package Marking Information

#### 3-Lead SC-70\*

<u>XX</u> NNN
------------------

#### Example

<u>AJ</u> 124
------------------

#### 3-Lead SOT-23\*

<u>XX</u> NNN
------------------

#### Example

<u>A5</u> 930
------------------

<b>Legend:</b>	XX...X	Product code or customer-specific information
	Y	Year code (last digit of calendar year)
	YY	Year code (last 2 digits of calendar year)
	WW	Week code (week of January 1 is week '01')
	NNN	Alphanumeric traceability code
	(e3)	Pb-free JEDEC® designator for Matte Tin (Sn)
	*	This package is Pb-free. The Pb-free JEDEC designator (e3) can be found on the outer packaging for this package.
	•, ▲, ▼	Pin one index is identified by a dot, delta up, or delta down (triangle mark).
<b>Note:</b>	In the event the full Microchip part number cannot be marked on one line, it will be carried over to the next line, thus limiting the number of available characters for customer-specific information. Package may or may not include the corporate logo.	
	Underbar (¯) and/or Overbar (¯) symbol may not be to scale.	

For a full list of MIC803 Marking Codes, please see the next page. For a full breakdown of part numbers and their options, see the [Product Identification System](#).

**TABLE 5-1: MARKING CODES**

SC-70 Part Number	Marking Code	Nominal $V_{TH}$	Min. $t_{RESET}$	SOT-23 Part Number	Marking Code	Nominal $V_{TH}$	Min. $t_{RESET}$
MIC803-46D2VC3	<u>AS</u>	4.63V	20 ms	MIC803-46D2VM3	<u>AS</u>	4.63V	20 ms
MIC803-44D2VC3	<u>AP</u>	4.38V	20 ms	MIC803-44D2VM3	<u>AP</u>	4.38V	20 ms
MIC803-41D2VC3	<u>AK</u>	4.10V	20 ms	MIC803-41D2VM3	<u>AK</u>	4.10V	20 ms
MIC803-40D2VC3	<u>A2</u>	4.00V	20 ms	MIC803-40D2VM3	<u>A2</u>	4.00V	20 ms
MIC803-31D2VC3	<u>AG</u>	3.08V	20 ms	MIC803-31D2VM3	<u>AG</u>	3.08V	20 ms
MIC803-30D2VC3	<u>AV</u>	3.00V	20 ms	MIC803-30D2VM3	<u>AV</u>	3.00V	20 ms
MIC803-29D2VC3	<u>AD</u>	2.93V	20 ms	MIC803-29D2VM3	<u>AD</u>	2.93V	20 ms
MIC803-26D2VC3	<u>AA</u>	2.63V	20 ms	MIC803-26D2VM3	<u>AA</u>	2.63V	20 ms
MIC803-46D3VC3	<u>AT</u>	4.63V	140 ms	MIC803-46D3VM3	<u>AT</u>	4.63V	140 ms
MIC803-44D3VC3	<u>AQ</u>	4.38V	140 ms	MIC803-44D3VM3	<u>AQ</u>	4.38V	140 ms
MIC803-41D3VC3	<u>AM</u>	4.10V	140 ms	MIC803-41D3VM3	<u>AM</u>	4.10V	140 ms
MIC803-40D3VC3	<u>A5</u>	4.00V	140 ms	MIC803-40D3VM3	<u>A5</u>	4.00V	140 ms
MIC803-31D3VC3	<u>A4</u>	3.08V	140 ms	MIC803-31D3VM3	<u>A4</u>	3.08V	140 ms
MIC803-30D3VC3	<u>AX</u>	3.00V	140 ms	MIC803-30D3VM3	<u>AX</u>	3.00V	140 ms
MIC803-29D3VC3	<u>AE</u>	2.93V	140 ms	MIC803-29D3VM3	<u>AE</u>	2.93V	140 ms
MIC803-26D3VC3	<u>AB</u>	2.63V	140 ms	MIC803-26D3VM3	<u>AB</u>	2.63V	140 ms
MIC803-46D4VC3	<u>AU</u>	4.63V	1120 ms	MIC803-46D4VM3	<u>AU</u>	4.63V	1120 ms
MIC803-44D4VC3	<u>AR</u>	4.38V	1120 ms	MIC803-44D4VM3	<u>AR</u>	4.38V	1120 ms
MIC803-41D4VC3	<u>AN</u>	4.10V	1120 ms	MIC803-41D4VM3	<u>AN</u>	4.10V	1120 ms
MIC803-40D4VC3	<u>A6</u>	4.00V	1120 ms	MIC803-40D4VM3	<u>A6</u>	4.00V	1120 ms
MIC803-31D4VC3	<u>AJ</u>	3.08V	1120 ms	MIC803-31D4VM3	<u>AJ</u>	3.08V	1120 ms
MIC803-30D4VC3	<u>AZ</u>	3.00V	1120 ms	MIC803-30D4VM3	<u>AZ</u>	3.00V	1120 ms
MIC803-29D4VC3	<u>A3</u>	2.93V	1120 ms	MIC803-29D4VM3	<u>A3</u>	2.93V	1120 ms
MIC803-26D4VC3	<u>AC</u>	2.63V	1120 ms	MIC803-26D4VM3	<u>AC</u>	2.63V	1120 ms



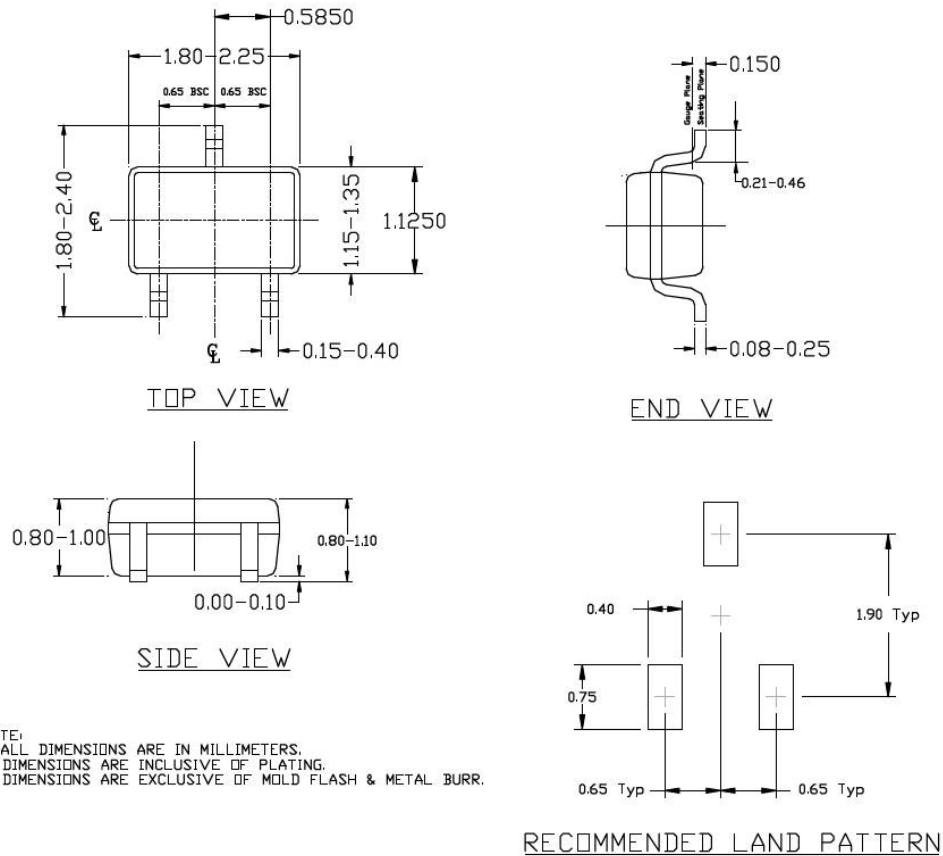
# MIC803

## 3-Lead SC-70 Package Outline and Recommended Land Pattern

**TITLE**

3 LEAD SC70 PACKAGE OUTLINE & RECOMMENDED LAND PATTERN

<b>DRAWING #</b>	SC70-3LD-PL-1	<b>UNIT</b>	MM
<b>Lead Frame</b>	Copper	<b>Lead Finish</b>	Matte Tin



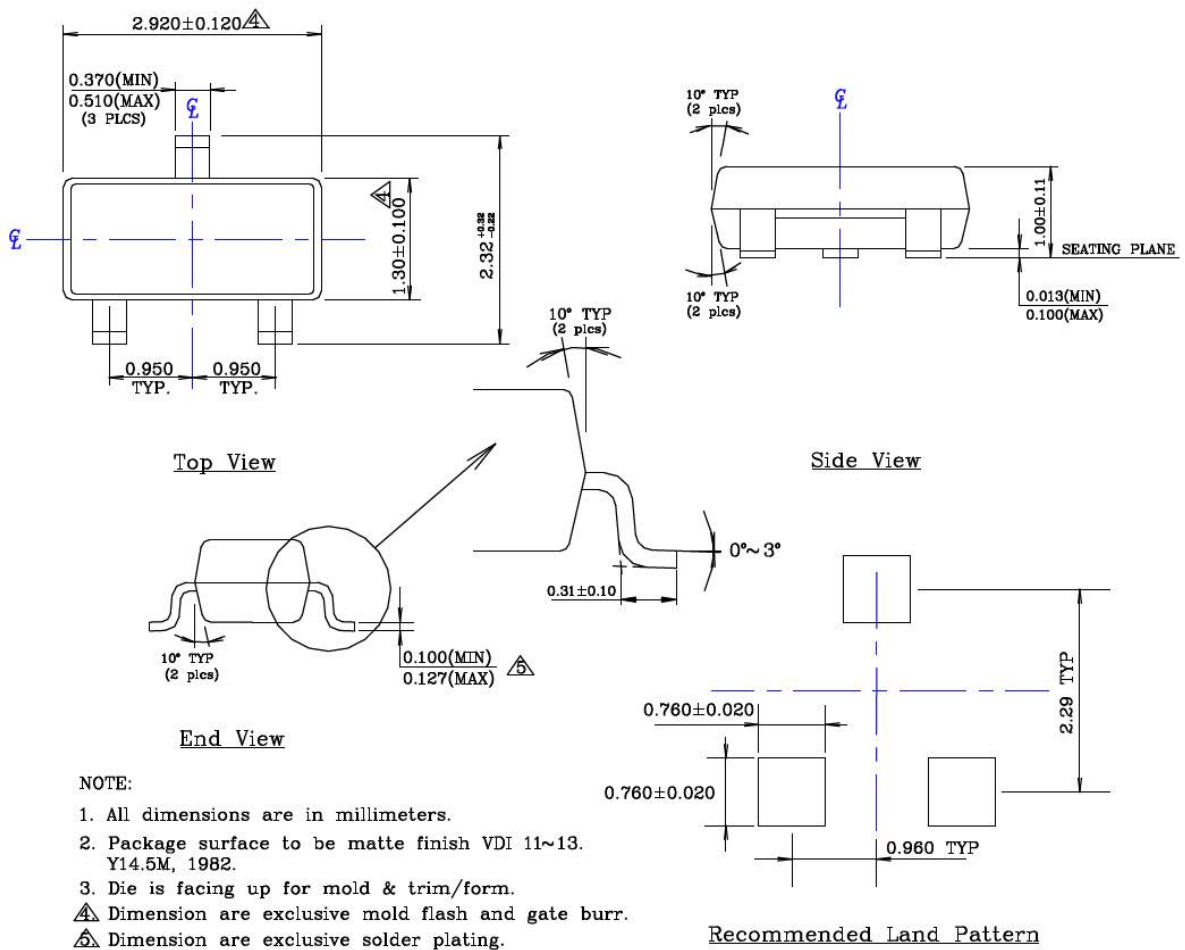
Note: For the most current package drawings, please see the Microchip Packaging Specification located at <http://www.microchip.com/packaging>.

## 3-Lead SOT-23 Package Outline and Recommended Land Pattern

**TITLE**

3 LEAD SOT23 PACKAGE OUTLINE & RECOMMENDED LAND PATTERN

DRAWING #	SOT23-3LD-PL-1	UNIT	MM
-----------	----------------	------	----



Note: For the most current package drawings, please see the Microchip Packaging Specification located at <http://www.microchip.com/packaging>.

# MIC803

---

NOTES:

## APPENDIX A: REVISION HISTORY

### Revision A (December 2020)

- Converted Micrel document MIC803 to Microchip data sheet template DS20006456A.
- Minor grammatical text changes throughout.

# MIC803

---

NOTES:

## PRODUCT IDENTIFICATION SYSTEM

To order or obtain information, e.g., on pricing or delivery, contact your local Microchip representative or sales office.

<u>Device</u>	<u>-XX</u>	<u>XX</u>	<u>X</u>	<u>XX</u>	<u>-XX</u>
Part No.	Nominal $V_{TH}$	Min. Reset Time	Temp. Range	Package	Media Type
<b>Device:</b>	MIC803:	3-Pin Microprocessor Supervisor Circuit with Open-Drain Reset Output			
<b>Nominal <math>V_{TH}</math>:</b>	26	=	2.63V		
	29	=	2.93V		
	30	=	3.00V		
	31	=	3.08V		
	40	=	4.00V		
	41	=	4.10V		
<b>Minimum Reset Time:</b>	D2	=	20 ms		
	D3	=	140 ms		
	D4	=	1120 ms		
<b>Temperature Range:</b>	V	=	-40°C to +125°C		
<b>Package:</b>	C3	=	3-Lead SC-70		
	M3	=	3-Lead SOT-23		
<b>Media Type:</b>	TR	=	3,000/Reel		
<b>Examples:</b>					
a) MIC803-26D2VC3-TR: MIC803, 2.63V Nominal $V_{TH}$ , 20 ms Min. Reset Time, -40°C to +125°C Temp. Range, 3-Lead SC-70, 3,000/Reel					
b) MIC803-31D3VM3-TR: MIC803, 3.08V Nominal $V_{TH}$ , 140 ms Min. Reset Time, -40°C to +125°C Temp. Range, 3-Lead SOT-23, 3,000/Reel					
c) MIC803-44D4VC3-TR: MIC803, 4.38V Nominal $V_{TH}$ , 1120 ms Min. Reset Time, -40°C to +125°C Temp. Range, 3-Lead SC-70, 3,000/Reel					
d) MIC803-46D2VM3-TR: MIC803, 4.63V Nominal $V_{TH}$ , 20 ms Min. Reset Time, -40°C to +125°C Temp. Range, 3-Lead SOT-23, 3,000/Reel					
e) MIC803-29D3VC3-TR: MIC803, 2.93V Nominal $V_{TH}$ , 140 ms Min. Reset Time, -40°C to +125°C Temp. Range, 3-Lead SC-70, 3,000/Reel					
<b>Note 1:</b> Tape and Reel identifier only appears in the catalog part number description. This identifier is used for ordering purposes and is not printed on the device package. Check with your Microchip Sales Office for package availability with the Tape and Reel option.					

# MIC803

---

NOTES:

---

---

**Note the following details of the code protection feature on Microchip devices:**

- Microchip products meet the specifications contained in their particular Microchip Data Sheet.
- Microchip believes that its family of products is secure when used in the intended manner and under normal conditions.
- There are dishonest and possibly illegal methods being used in attempts to breach the code protection features of the Microchip devices. We believe that these methods require using the Microchip products in a manner outside the operating specifications contained in Microchip's Data Sheets. Attempts to breach these code protection features, most likely, cannot be accomplished without violating Microchip's intellectual property rights.
- Microchip is willing to work with any customer who is concerned about the integrity of its code.
- Neither Microchip nor any other semiconductor manufacturer can guarantee the security of its code. Code protection does not mean that we are guaranteeing the product is "unbreakable." Code protection is constantly evolving. We at Microchip are committed to continuously improving the code protection features of our products. Attempts to break Microchip's code protection feature may be a violation of the Digital Millennium Copyright Act. If such acts allow unauthorized access to your software or other copyrighted work, you may have a right to sue for relief under that Act.

---

Information contained in this publication is provided for the sole purpose of designing with and using Microchip products. Information regarding device applications and the like is provided only for your convenience and may be superseded by updates. It is your responsibility to ensure that your application meets with your specifications.

THIS INFORMATION IS PROVIDED BY MICROCHIP "AS IS". MICROCHIP MAKES NO REPRESENTATIONS OR WARRANTIES OF ANY KIND WHETHER EXPRESS OR IMPLIED, WRITTEN OR ORAL, STATUTORY OR OTHERWISE, RELATED TO THE INFORMATION INCLUDING BUT NOT LIMITED TO ANY IMPLIED WARRANTIES OF NON-INFRINGEMENT, MERCHANTABILITY, AND FITNESS FOR A PARTICULAR PURPOSE OR WARRANTIES RELATED TO ITS CONDITION, QUALITY, OR PERFORMANCE.

IN NO EVENT WILL MICROCHIP BE LIABLE FOR ANY INDIRECT, SPECIAL, PUNITIVE, INCIDENTAL OR CONSEQUENTIAL LOSS, DAMAGE, COST OR EXPENSE OF ANY KIND WHATSOEVER RELATED TO THE INFORMATION OR ITS USE, HOWEVER CAUSED, EVEN IF MICROCHIP HAS BEEN ADVISED OF THE POSSIBILITY OR THE DAMAGES ARE FORESEEABLE. TO THE FULLEST EXTENT ALLOWED BY LAW, MICROCHIP'S TOTAL LIABILITY ON ALL CLAIMS IN ANY WAY RELATED TO THE INFORMATION OR ITS USE WILL NOT EXCEED THE AMOUNT OF FEES, IF ANY, THAT YOU HAVE PAID DIRECTLY TO MICROCHIP FOR THE INFORMATION. Use of Microchip devices in life support and/or safety applications is entirely at the buyer's risk, and the buyer agrees to defend, indemnify and hold harmless Microchip from any and all damages, claims, suits, or expenses resulting from such use. No licenses are conveyed, implicitly or otherwise, under any Microchip intellectual property rights unless otherwise stated.

### Trademarks

The Microchip name and logo, the Microchip logo, Adaptec, AnyRate, AVR, AVR logo, AVR Freaks, BesTime, BitCloud, chipKIT, chipKIT logo, CryptoMemory, CryptoRF, dsPIC, FlashFlex, flexPWR, HELDO, IGL00, JukeBlox, KeeLoq, Klear, LANCheck, LinkMD, maxStylus, maXTouch, MediaLB, megaAVR, Microsemi, Microsemi logo, MOST, MOST logo, MPLAB, OptoLyzer, PackeTime, PIC, picoPower, PICSTART, PIC32 logo, PolarFire, Prochip Designer, QTouch, SAM-BA, SenGenuity, SpyNIC, SST, SST Logo, SuperFlash, Symmetricom, SyncServer, Tachyon, TimeSource, tinyAVR, UNI/O, Vectron, and XMEGA are registered trademarks of Microchip Technology Incorporated in the U.S.A. and other countries.

AgileSwitch, APT, ClockWorks, The Embedded Control Solutions Company, EtherSynch, FlashTec, Hyper Speed Control, HyperLight Load, IntelliMOS, Libero, motorBench, mTouch, Powermite 3, Precision Edge, ProASIC, ProASIC Plus, ProASIC Plus logo, Quiet-Wire, SmartFusion, SyncWorld, Temux, TimeCesium, TimeHub, TimePictra, TimeProvider, WinPath, and ZL are registered trademarks of Microchip Technology Incorporated in the U.S.A.

Adjacent Key Suppression, AKS, Analog-for-the-Digital Age, Any Capacitor, AnyIn, AnyOut, Augmented Switching, BlueSky, BodyCom, CodeGuard, CryptoAuthentication, CryptoAutomotive, CryptoCompanion, CryptoController, dsPICDEM, dsPICDEM.net, Dynamic Average Matching, DAM, ECAN, Espresso T1S, EtherGREEN, IdealBridge, In-Circuit Serial Programming, ICSP, INICnet, Intelligent Paralleling, Inter-Chip Connectivity, JitterBlocker, maxCrypto, maxView, memBrain, Mindi, MiWi, MPASM, MPF, MPLAB Certified logo, MPLIB, MPLINK, MultiTRAK, NetDetach, Omniscient Code Generation, PICDEM, PICDEM.net, PICkit, PICtail, PowerSmart, PureSilicon, QMatrix, REAL ICE, Ripple Blocker, RTAX, RTG4, SAM-ICE, Serial Quad I/O, simpleMAP, SimpliPHY, SmartBuffer, SMART-I.S., storClad, SQI, SuperSwitcher, SuperSwitcher II, Switchtec, SynchroPHY, Total Endurance, TSHARC, USBCheck, VariSense, VectorBlox, VeriPHY, ViewSpan, WiperLock, XpressConnect, and ZENA are trademarks of Microchip Technology Incorporated in the U.S.A. and other countries.

SQTP is a service mark of Microchip Technology Incorporated in the U.S.A.

The Adaptec logo, Frequency on Demand, Silicon Storage Technology, and Symmcom are registered trademarks of Microchip Technology Inc. in other countries.

GestIC is a registered trademark of Microchip Technology Germany II GmbH & Co. KG, a subsidiary of Microchip Technology Inc., in other countries.

All other trademarks mentioned herein are property of their respective companies.

© 2020, Microchip Technology Incorporated, All Rights Reserved.

ISBN: 978-1-5224-7267-4

For information regarding Microchip's Quality Management Systems, please visit [www.microchip.com/quality](http://www.microchip.com/quality).





# MICROCHIP

## Worldwide Sales and Service

### AMERICAS

**Corporate Office**  
2355 West Chandler Blvd.  
Chandler, AZ 85224-6199  
Tel: 480-792-7200  
Fax: 480-792-7277  
Technical Support:  
<http://www.microchip.com/support>  
Web Address:  
[www.microchip.com](http://www.microchip.com)

**Atlanta**  
Duluth, GA  
Tel: 678-957-9614  
Fax: 678-957-1455

**Austin, TX**  
Tel: 512-257-3370

**Boston**  
Westborough, MA  
Tel: 774-760-0087  
Fax: 774-760-0088

**Chicago**  
Itasca, IL  
Tel: 630-285-0071  
Fax: 630-285-0075

**Dallas**  
Addison, TX  
Tel: 972-818-7423  
Fax: 972-818-2924

**Detroit**  
Novi, MI  
Tel: 248-848-4000

**Houston, TX**  
Tel: 281-894-5983

**Indianapolis**  
Noblesville, IN  
Tel: 317-773-8323  
Fax: 317-773-5453  
Tel: 317-536-2380

**Los Angeles**  
Mission Viejo, CA  
Tel: 949-462-9523  
Fax: 949-462-9608  
Tel: 951-273-7800

**Raleigh, NC**  
Tel: 919-844-7510

**New York, NY**  
Tel: 631-435-6000

**San Jose, CA**  
Tel: 408-735-9110  
Tel: 408-436-4270

**Canada - Toronto**  
Tel: 905-695-1980  
Fax: 905-695-2078

### ASIA/PACIFIC

**Australia - Sydney**  
Tel: 61-2-9868-6733

**China - Beijing**  
Tel: 86-10-8569-7000

**China - Chengdu**  
Tel: 86-28-8665-5511

**China - Chongqing**  
Tel: 86-23-8980-9588

**China - Dongguan**  
Tel: 86-769-8702-9880

**China - Guangzhou**  
Tel: 86-20-8755-8029

**China - Hangzhou**  
Tel: 86-571-8792-8115

**China - Hong Kong SAR**  
Tel: 852-2943-5100

**China - Nanjing**  
Tel: 86-25-8473-2460

**China - Qingdao**  
Tel: 86-532-8502-7355

**China - Shanghai**  
Tel: 86-21-3326-8000

**China - Shenyang**  
Tel: 86-24-2334-2829

**China - Shenzhen**  
Tel: 86-755-8864-2200

**China - Suzhou**  
Tel: 86-186-6233-1526

**China - Wuhan**  
Tel: 86-27-5980-5300

**China - Xian**  
Tel: 86-29-8833-7252

**China - Xiamen**  
Tel: 86-592-2388138

**China - Zhuhai**  
Tel: 86-756-3210040

### ASIA/PACIFIC

**India - Bangalore**  
Tel: 91-80-3090-4444

**India - New Delhi**  
Tel: 91-11-4160-8631

**India - Pune**  
Tel: 91-20-4121-0141

**Japan - Osaka**  
Tel: 81-6-6152-7160

**Japan - Tokyo**  
Tel: 81-3-6880-3770

**Korea - Daegu**  
Tel: 82-53-744-4301

**Korea - Seoul**  
Tel: 82-2-554-7200

**Malaysia - Kuala Lumpur**  
Tel: 60-3-7651-7906

**Malaysia - Penang**  
Tel: 60-4-227-8870

**Philippines - Manila**  
Tel: 63-2-634-9065

**Singapore**  
Tel: 65-6334-8870

**Taiwan - Hsin Chu**  
Tel: 886-3-577-8366

**Taiwan - Kaohsiung**  
Tel: 886-7-213-7830

**Taiwan - Taipei**  
Tel: 886-2-2508-8600

**Thailand - Bangkok**  
Tel: 66-2-694-1351

**Vietnam - Ho Chi Minh**  
Tel: 84-28-5448-2100

### EUROPE

**Austria - Wels**  
Tel: 43-7242-2244-39  
Fax: 43-7242-2244-393

**Denmark - Copenhagen**  
Tel: 45-4485-5910  
Fax: 45-4485-2829

**Finland - Espoo**  
Tel: 358-9-4520-820

**France - Paris**  
Tel: 33-1-69-53-63-20  
Fax: 33-1-69-30-90-79

**Germany - Garching**  
Tel: 49-8931-9700

**Germany - Haan**  
Tel: 49-2129-3766400

**Germany - Heilbronn**  
Tel: 49-7131-72400

**Germany - Karlsruhe**  
Tel: 49-721-625370

**Germany - Munich**  
Tel: 49-89-627-144-0  
Fax: 49-89-627-144-44

**Germany - Rosenheim**  
Tel: 49-8031-354-560

**Israel - Ra'anana**  
Tel: 972-9-744-7705

**Italy - Milan**  
Tel: 39-0331-742611  
Fax: 39-0331-466781

**Italy - Padova**  
Tel: 39-049-7625286

**Netherlands - Drunen**  
Tel: 31-416-690399  
Fax: 31-416-690340

**Norway - Trondheim**  
Tel: 47-7288-4388

**Poland - Warsaw**  
Tel: 48-22-3325737

**Romania - Bucharest**  
Tel: 40-21-407-87-50

**Spain - Madrid**  
Tel: 34-91-708-08-90  
Fax: 34-91-708-08-91

**Sweden - Gothenberg**  
Tel: 46-31-704-60-40

**Sweden - Stockholm**  
Tel: 46-8-5090-4654

**UK - Wokingham**  
Tel: 44-118-921-5800  
Fax: 44-118-921-5820