

2019/Spring

PaPIRs Low Height Lens

Lower height for better design



Feature

- ◆ Lower Height Lens Design
14.4mm ⇒ 10.9mm
- ◆ Comparable performance
to PaPIRs standard Lens
- ◆ Fit with superior product design



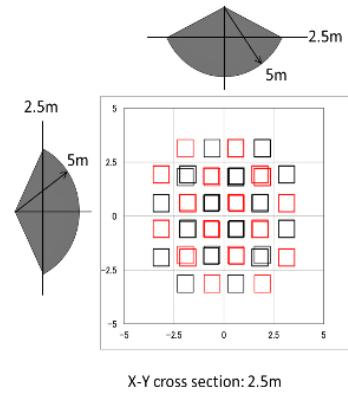
New



Current

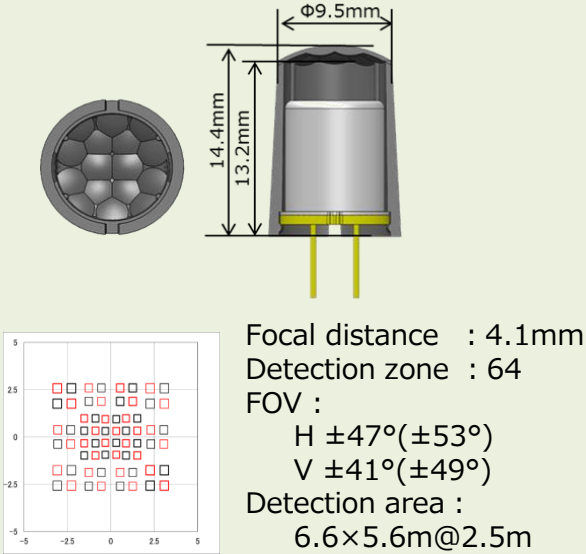
Specification

- ◆ **Detection distance** : 5m
- ◆ **Field of view** : 90° x 90°
- ◆ **Detection zones** : 40

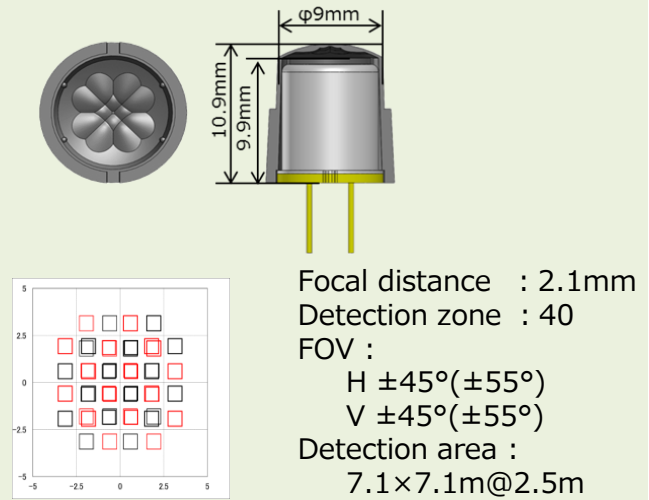


Before/After

[PaPIRs standard Lens]



[Low Height Lens]



Major lineup

Series	Current consumption	Model No.
VZ	170μA	EKMC* 60711□
WL	1μA	EKMB110711□
	2μA	EKMB120711□
	6μA	EKMB130711□K

Application

Lightning Control, Security, Appliance, IoT etc.

