

## Applications:



High-End Consumer Electronics



Industrial Machinery



Medical Equipment



Power Supply



Positive-Lock



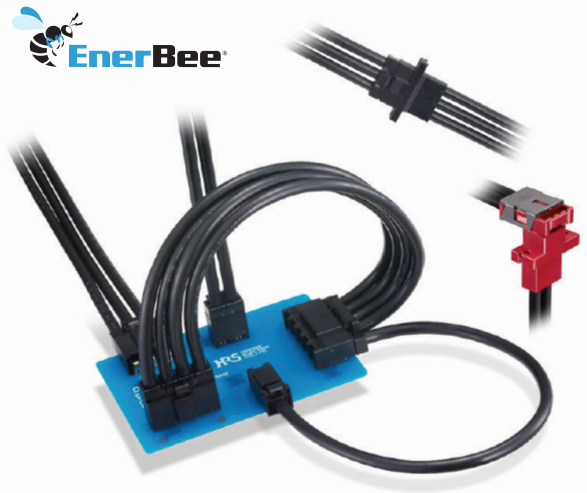
Compact

## Discover Hirose's newest addition – the DF60FS Series.

Elevate your power solutions with the DF60FS Series from Hirose Electric. Engineered for seamless integration, this right-angle crimp socket features a space-efficient design with a high current rating of 45A. It's the ideal connector for systems requiring robust power in a compact footprint.

### HIGHLIGHTS:

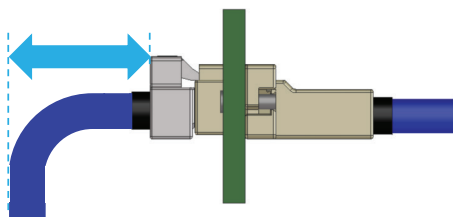
- **High Current Capacity:** Capable of handling up to 65A, the DF60FS Series is built to support your most demanding power requirements.
- **Secure Locking Mechanism:** A distinct locking design provides a clear tactile click, confirming a complete and secure mating every time.
- **5-Point Contact Design:** Offers high contact reliability, ensuring a stable connection even in the harshest environments.
- **Molded Lance Design:** Prevents tangled wires during assembly and enhances the overall durability of the connection.
- **Finger-Protect Feature:** Prioritizes safety by preventing electric shock, making it suitable for a wide range of applications.
- **Ideal Applications:** Industrial machinery, medical equipment, and high-end consumer electronics.



## DF60FS – Right Angle Crimp Socket Type

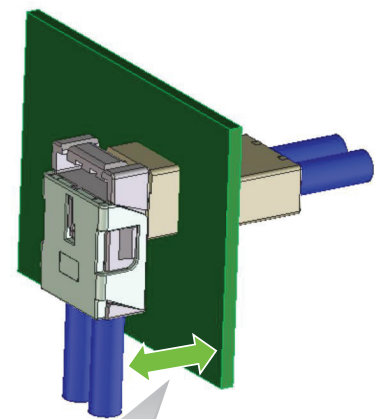
A variation of horizontal and parallel connections.

(Existing) DF60



For horizontal connections, cable routing space is required.

DF60FS



Width: Narrow

Horizontal & Parallel Connections

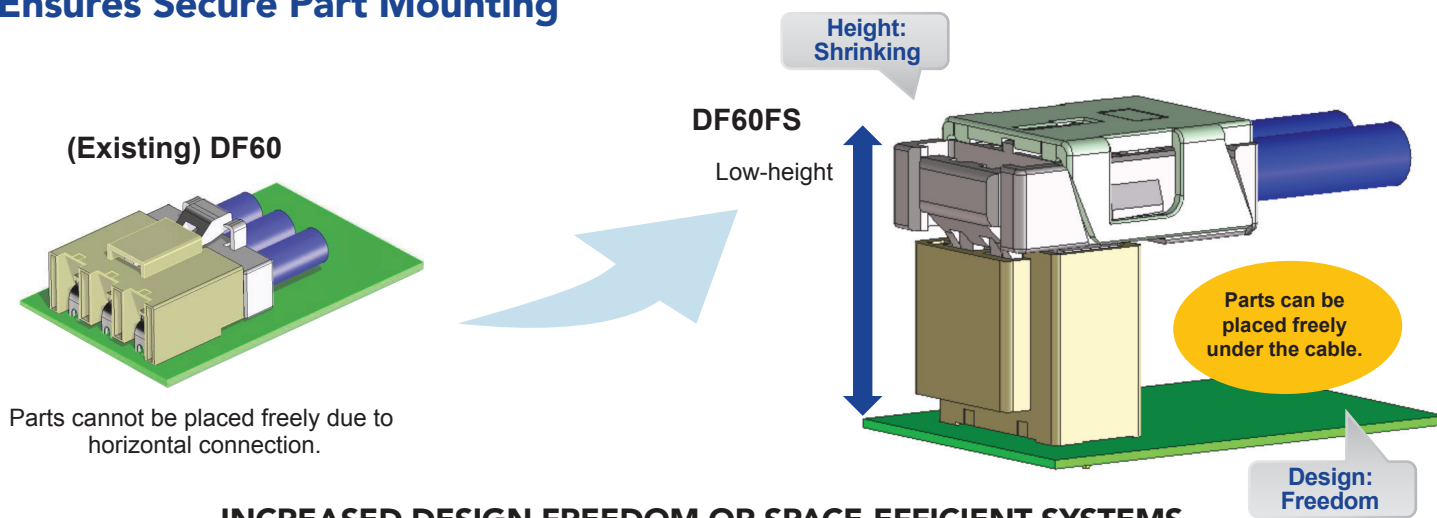
[CLICK HERE FOR MORE INFORMATION](#)

[CLICK HERE TO ORDER SAMPLE NUMBER: US-DF60FSSAMPLE-24](#)

**INCREASED DESIGN FREEDOM OR SPACE-EFFICIENT SYSTEMS**

## DF60FS – Right Angle Crimp Socket Type

No Extra Space Needed for Cable Routing,  
Ensures Secure Part Mounting



**INCREASED DESIGN FREEDOM OR SPACE-EFFICIENT SYSTEMS**

### Specifications

Material and Finish

COMPONENT		MATERIAL	FINISH, REMARKS
Header	Insulator	PBT (Glass-reinforced)	UL94V-0/Black
	Contact	High Conductivity Copper Alloy	Gold Plating
	Retention Tab	Brass	Tin Plating
Crimp Socket		PBT (Glass-reinforced)	UL94V-0/Black
Cover Case		PBT (Glass-reinforced)	UL94V-0/Black
In-Line Plug		PBT (Glass-reinforced)	UL94V-0/Gray
Crimping Contact		High Conductivity Copper Alloy	Gold Plating

### Performance Characteristics

	No. of pos.	8 AWG		10 AWG		12 AWG	
		C-UL/ TÜV standard	UL standard	C-UL/ TÜV standard	UL standard	C-UL/ TÜV standard	UL standard
Rated Current [C-UL/ TÜV standard] Temperature rise below 30°C [UL standard] Ambient temperature of 25°C	1	50A	65A	40A	55A	31A	45A
	2	45A	65A	35A	55A	28A	40A
	3	42A	55A	34A	50A	28A	40A
	4	42A	55A	33A	45A	27A	35A
	5	42A	55A	33A	45A	27A	35A
	6	42A	55A	33A	45A	27A	35A
Rated Voltage	1,000V AC/DC (600V for UL approval)						
Operating Temperature	-55 to +105°C						
Contact Resistance	2mΩ Max. (6V DC), 1A						
Withstanding Voltage	3,000V AC for 1 min.						
Insulation Resistance	1,000MΩ Min. (1,000V DC)						
Mating Durability	30 times						
Applicable Cable	Wire conductor size: 8-12 AWG (equivalent 8-3.3sq.), Jacket dia.: 4-7.8mm						



For additional information please go to  
<https://www.hirose.com/en/product/series/DF60>  
 Specifications herein are subject to change without notice.  
 Contact Hirose for latest specifications, drawings, or availabilities.

