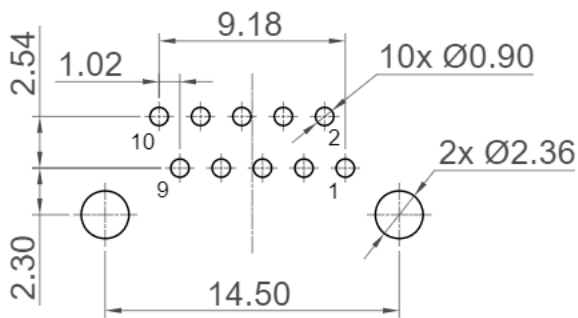
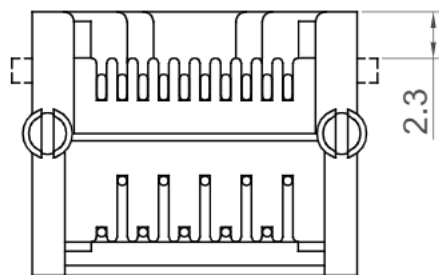
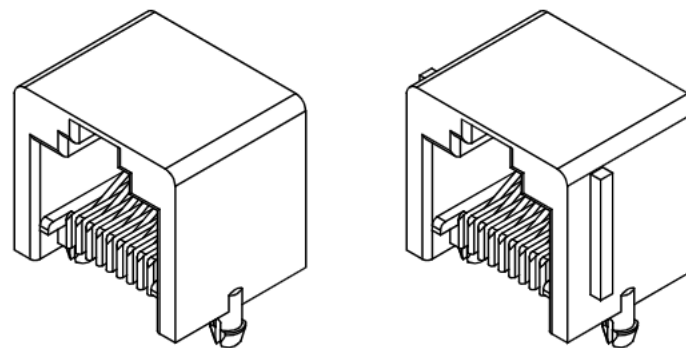


Section A-A



Recommended PCB Layout

Tolerance :  $\pm 0.05\text{mm}$   
Thickness: 1.60mm



Specifications

Material

Insulator: PBT, UL 94V-0, Black  
Contact: Phosphor Bronze,  $\text{Ø}=0.46\text{mm}$

Plating

Contact: 6u" Gold All Over  
Underplating: 60u" min. Nickel All Over

Electrical

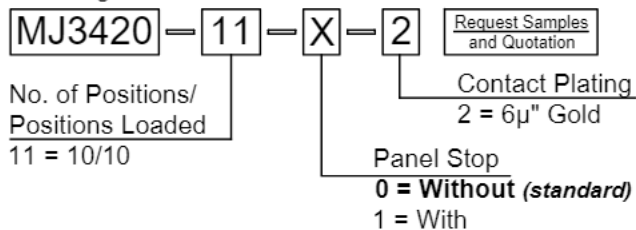
Current Rating : 1.5 Amp  
Current Voltage : 125V AC RMS  
Contact Resistance : 35 m $\Omega$  max.  
Insulation Resistance: 1000 M $\Omega$  min. @500V DC  
Dielectric Withstand Voltage :  
1000V AC RMS, 60HZ 1 minute

Mechanical & Environmental

Storage Temperature :  $-10^{\circ}\text{C}$  to  $+40^{\circ}\text{C}$ ,  
Relative Humidity <80%  
Operation Temperature :  $-40^{\circ}\text{C}$  to  $+85^{\circ}\text{C}$   
Operating Life : 750 Cycles Min.  
Mating/Unmating Force: 30N Max.  
Retention Strength: 50N Min.

Wave Soldering Temperature:  $245^{\circ}\text{C} \pm 5^{\circ}\text{C}$ , 5s

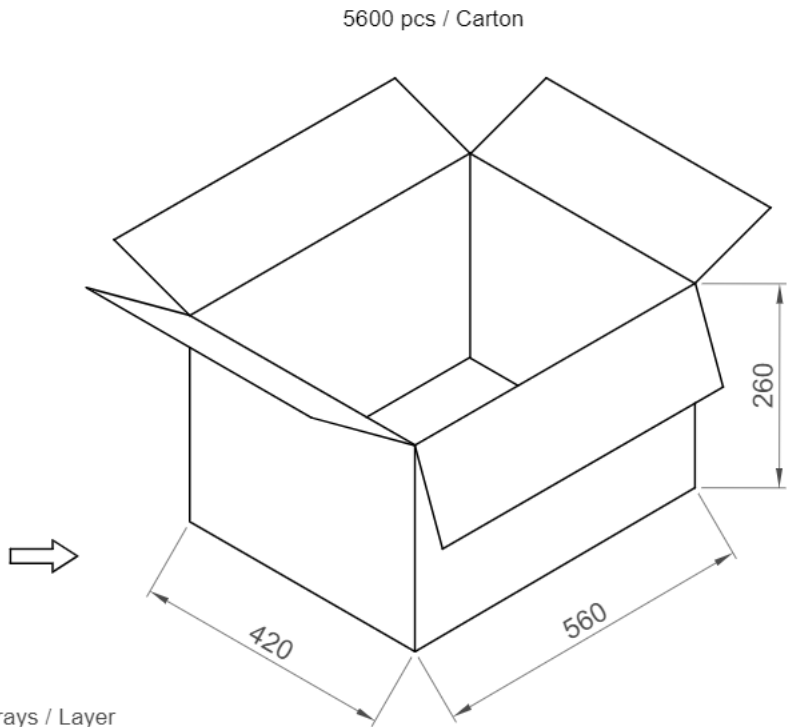
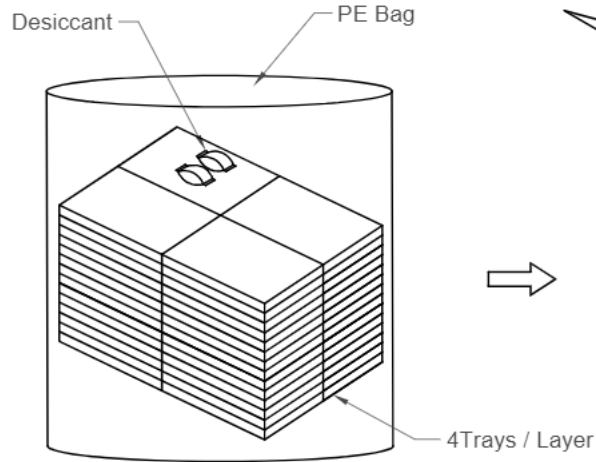
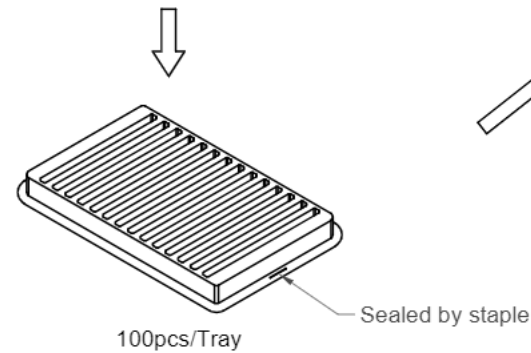
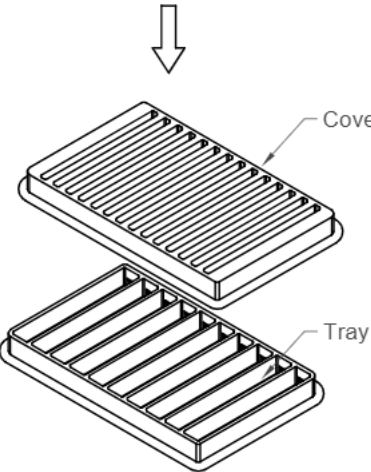
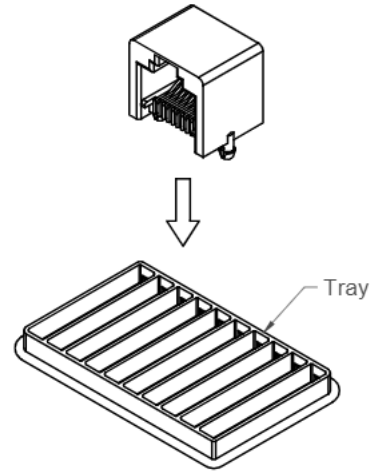
Ordering Grid






Part Number		Product Description	
MJ3420-11		Modular Jack, 10P10C, Horizontal, Through Hole	
Drawing Date		26th October 2023	
By	CC	Tolerances (Except as Noted)	Units:
Detail	Drawing Release	Length	Metric (mm)
Revision	A	Angle	RoHS COMPLIANT 2011/REU
Date	26/10/23	$\pm 0.25$ $\pm 0.20$ $\pm 0.10$	3rd Angle Projection



Not to Scale  
Drawn By  
CC  
Sheet No.  
1/2



Pcs/Tray	Trays/Carton	Total Quantity
100	56	5600 pcs

Part Number		Product Description		 <a href="http://www.gct.co">www.gct.co</a>
MJ3420-11		Modular Jack, 10P10C, Horizontal, Through Hole		
Drawing Date		26th October 2023		
By	CC	Tolerances (Except as Noted)	Units:	  This drawing is confidential and copyright of Global Connector Technology, Ltd (GCT). This drawing must not be copied or disclosed without written consent. E & OE
Detail	Drawing Release	Length	Metric (mm)	
Revision	A	Angle	3rd Angle Projection	
Date	26/10/23	$X.X \pm 0.25$ $X.XX \pm 0.20$ $X.XXX \pm 0.10$	$\pm 0.5^\circ$	
		Not to Scale	Drawn By	Sheet No.
			CC	2/2