



8755 W. Higgins Road  
Suite 500  
Chicago, Illinois USA 60631

Jun 2<sup>nd</sup>, 2023


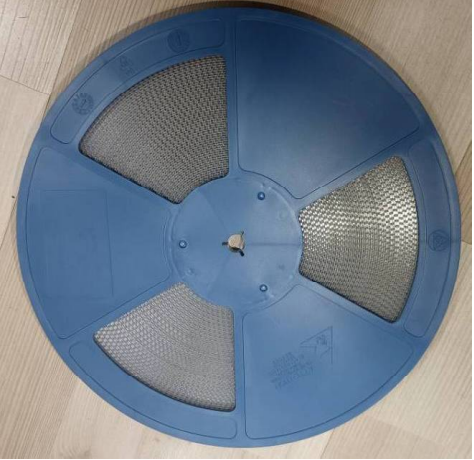
**[Updated] PCN # ESW490-49 – Schottky Barrier Rectifier DSTxxx TO-277B Packing Product Reel Change**

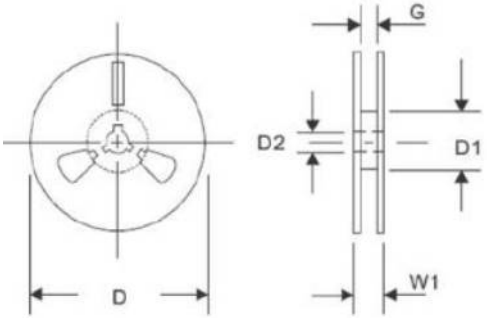
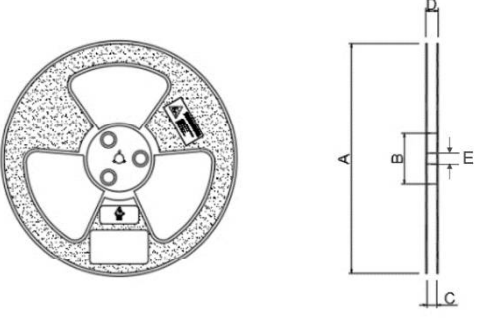
To our valued customers,

Littelfuse would like to notify you that we will replace Carboard reel with ESD plastic reel for Schottky Barrier Rectifier DSTxxx TO-277B packing Products.

**Form, fit, function changes:** Yes  
**Part number changes:** N/A  
**Effective date:** May 8<sup>th</sup>, 2023  
**Replacement products:** N/A  
**Last time buy:** N/A

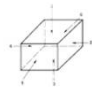






**1.0 Physical Difference:**

| Type       | Current   | New  |
|------------|---|--|
| Appearance |  |  |
| Material   | Carboard  | PS   |
| Color      | White Reel  | Bule Reel  |

| Type      | Current  | New   |       |          |   |    |      |     |      |     |     |       |     |       |       |       |   |   |   |   |   |   |       |      |      |      |          |
|-----------|--|-------|-------|----------|---|----|------|-----|------|-----|-----|-------|-----|-------|-------|-------|---|---|---|---|---|---|-------|------|------|------|----------|
| Size (mm) |  <table border="1" data-bbox="337 592 849 695"> <tr> <td>D</td> <td>D1</td> <td>D2</td> <td>G</td> <td>W1</td> </tr> <tr> <td>±0.3</td> <td>min</td> <td>±0.2</td> <td>min</td> <td>min</td> </tr> <tr> <td>330.0</td> <td>100</td> <td>13.00</td> <td>16.00</td> <td>20.00</td> </tr> </table> | D     | D1    | D2       | G | W1 | ±0.3 | min | ±0.2 | min | min | 330.0 | 100 | 13.00 | 16.00 | 20.00 |  <table border="1" data-bbox="893 592 1388 695"> <tr> <td>A</td> <td>B</td> <td>C</td> <td>D</td> <td>E</td> </tr> <tr> <td>330±5</td> <td>55±5</td> <td>14±1</td> <td>18±1</td> <td>13.5±0.5</td> </tr> </table> | A | B | C | D | E | 330±5 | 55±5 | 14±1 | 18±1 | 13.5±0.5 |
| D         | D1   | D2    | G     | W1       |   |    |      |     |      |     |     |       |     |       |       |       |   |   |   |   |   |   |       |      |      |      |          |
| ±0.3      | min  | ±0.2  | min   | min      |   |    |      |     |      |     |     |       |     |       |       |       |   |   |   |   |   |   |       |      |      |      |          |
| 330.0     | 100  | 13.00 | 16.00 | 20.00    |   |    |      |     |      |     |     |       |     |       |       |       |   |   |   |   |   |   |       |      |      |      |          |
| A         | B  | C     | D     | E        |   |    |      |     |      |     |     |       |     |       |       |       |   |   |   |   |   |   |       |      |      |      |          |
| 330±5     | 55±5   | 14±1  | 18±1  | 13.5±0.5 |   |    |      |     |      |     |     |       |     |       |       |       |   |   |   |   |   |   |       |      |      |      |          |

## 2.0 Reliability Test Results Summary:

### 2.1 Drop Test

| Test Category    | Step  | Impact Surface                     | Sample Qty   | Reference   | Contents /Conditions         | Result Summary | Diagram   |
|------------------|---|------------------------------------|--|-------------|------------------------------|----------------|---|
| Drop test        | 1   | Corner (3-5-4, 3-4-6, 3-6-2,3-2-5) | 10000  | GB/T 2423.7 | Weight<20 KG, Drop height:1m | No failure     |  |
|                  | 2   | Edge (3-5)                         |  |             |                              |                |   |
|                  | 3   | Edge (3-4)                         |  |             |                              |                |   |
|                  | 4   | Edge (3-6)                         |  |             |                              |                |   |
|                  | 5   | Edge (3-2)                         |  |             |                              |                |   |
|                  | 6   | Flat (Left)                        |  |             |                              |                |   |
|                  | 7   | Flat (Right)                       |  |             |                              |                |   |
|                  | 8   | Flat (Rear)                        |  |             |                              |                |   |
|                  | 9   | Flat (Front)                       |  |             |                              |                |   |
| Before Drop test |  |                                    |  |             |                              |                |   |
|                  |  |                                    |  |             |                              |                |   |
| After Drop test  |  |                                    |  |             |                              |                |   |

## 2.2 Anti-Static Test

| Test        | Standard                 | 1      | 2      | 3      | 4      | 5      | 6      | 7      | 8      |
|-------------|--------------------------|--------|--------|--------|--------|--------|--------|--------|--------|
| Anti-Static | $10^5\sim 10^{11}\Omega$ | $10^8$ | $10^8$ | $10^8$ | $10^8$ | $10^8$ | $10^8$ | $10^8$ | $10^8$ |
| Results     |                          | Pass   | Pass   | Pass   | Pass   | Pass   | Pass   | Pass   | Pass   |

## 3.0 Changed Part Identification:

NA

## 4.0 Recommendations & Conclusions:

Based on the test results, it is determined that the new packing Reel is qualified and certified for Littelfuse DSTxxx TO-227B packaging Product Series.

This notification is for your information and acknowledgement. If you have any other questions or concerns, please contact your local sales team or Sophia Lv, Thyristor Product Manager.

We value your business and look forward to assisting you whenever possible. Thank you!

Best Regards,

Sophia Lv  
Product Manager of Power Bipolar Discrete (Thyristor+Diode)  
Semiconductor Business Unit, Wuxi, China  
+86 510 85277701 - 7967  
[slv@littelfuse.com](mailto:slv@littelfuse.com)

**Appendix --- Reel change table for Affected Products**

|             |             |            |            |
|-------------|-------------|------------|------------|
| DST10100S   | DST1045S-T  | DST1550S-T | DST560S-A  |
| DST10100S-A | DST1050S    | DST2050S   | DST580S    |
| DST10100S-T | DST1050S-A  | DST2050S-T | DST580S-A  |
| DST1040S    | DST12100S   | DST2080S   | DST8100S   |
| DST1040S-A  | DST12100S-T | DST2080S-T | DST8100S-A |
| DST1040S-T  | DST1545S    | DST5100S   | DST860S    |
| DST1045S    | DST1545S-T  | DST5100S-A | DST860S-A  |
| DST1045S-A  | DST1550S    | DST560S    |            |