



Product Change Notification

Current Date: 23-May-2023

TE Connectivity

Product Change Notification: PCN-23-171053

PCN Date: 18-MAY-23

Customer: Future Electronics(0000080100)

Location: WORLDWIDE

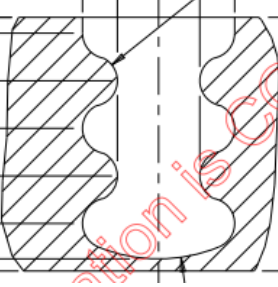
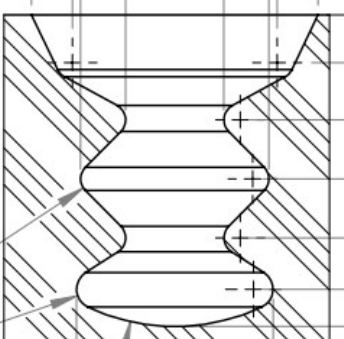
Agreement: Agreement Unknown

TE would like to inform you of the following change(s) to the listed TE Connectivity Product. In case of any further questions about this change(s), please contact your TE Connectivity Sales Engineer. Affected part, drawing and/or specification numbers are listed on the attached sheet(s).

General Product Description:
35 position AMPSEAL Wire Seal

Description of Changes

Please be aware of an upcoming feature and material change to the following part numbers 776164-1 776164-2 776164-4 776164-5 776164-6 The material change is to one of the components that makes up to the final material The feature change is to the ribs in the circuit holes and the sealing ribs on perimeter of the seal

Current circuit sealing ribs geometry is an older design 	New circuit sealing ribs geometry is a newer and updated design 
--	--

Reason for Changes:

The material is being changed because one of the components used in the final material was no longer available. The seal vendor performed validation testing before seals were molded and sent for testing The geometry change was to update the circuit geometry to the latest design used by the vendor and to change the design of the ribs on the perimeter of the seal to compression ribs

PCN Attributes:	
Product Category: Seals And Cavity Plugs	Kind of Change: Geometry
Change Feature: Sealing	Potential Customer Impact: No Customer Impact
Remarks: This will be a geometry and material change	

Estimated Dates:	
Last Order Date (Obsolete Parts Only):	First Ship Date of Changed Items (Changed Parts Only): 02-OCT-2023
Last Ship Date of Changed Items (Obsolete Parts Only):	Last Date for Mixed Shipments: (Changed Parts Only): No Mixed Shipments
Effectivity Date:	Date of First Samples:

Part Number(s) being Modified:

Part Number	Part Discontinued per PCN	Customer Drawing	Customer Part Number	Alias Part Number(s)	Substitute Part Number	Substitute Alias Part Number(s)	Description Of Difference
776164-1	NO						
776164-4	NO						

Customer: Future Electronics Ltd (1273129)

Location: Egham

Agreement Number: Agreement Unknown

Part Number(s) being Modified:

Part Number	Part Discontinued per PCN	Customer Drawing	Customer Part Number	Alias Part Number(s)	Substitute Part Number	Substitute Alias Part Number(s)	Description Of Difference
776164-1	NO		776164-1				
776164-4	NO						

Customer: Future Electronics Inc (184927)

Location: Pointe Claire

Agreement Number: Agreement Unknown

Part Number(s) being Modified:

Part Number	Part Discontinued per PCN	Customer Drawing	Customer Part Number	Alias Part Number(s)	Substitute Part Number	Substitute Alias Part Number(s)	Description Of Difference
776164-1	NO						
776164-4	NO						

Customer: Future Electronics (Shanghai) (3087514)

Location: Shanghai

Agreement Number: Agreement Unknown

Part Number(s) being Modified:

Part Number	Part Discontinued per PCN	Customer Drawing	Customer Part Number	Alias Part Number(s)	Substitute Part Number	Substitute Alias Part Number(s)	Description Of Difference
776164-1	NO						

Customer: Future Electronics Inc. (1319888)

Location: Singapore

Agreement Number: Agreement Unknown

Part Number(s) being Modified:

Part Number	Part Discontinued per PCN	Customer Drawing	Customer Part Number	Alias Part Number(s)	Substitute Part Number	Substitute Alias Part Number(s)	Description Of Difference
776164-1	NO						
776164-4	NO						

Customer: Future Electronics EDC Services (2944409)

Location: Leipzig

Agreement Number: Agreement Unknown

Part Number(s) being Modified:

Part Number	Part Discontinued per PCN	Customer Drawing	Customer Part Number	Alias Part Number(s)	Substitute Part Number	Substitute Alias Part Number(s)	Description Of Difference
776164-1	NO						
776164-4	NO						

Customer: Future Electronics Inc (1290208)

Location: Southaven

Agreement Number: FUTAGR001

Part Number(s) being Modified:

Part Number	Part Discontinued per PCN	Customer Drawing	Customer Part Number	Alias Part Number(s)	Substitute Part Number	Substitute Alias Part Number(s)	Description Of Difference
776164-1	NO						
776164-4	NO						

Customer: Future Electronics Inc (1433287)

Location: Bolton

Agreement Number: Agreement Unknown

Part Number(s) being Modified:

Part Number	Part Discontinued per PCN	Customer Drawing	Customer Part Number	Alias Part Number(s)	Substitute Part Number	Substitute Alias Part Number(s)	Description Of Difference
776164-1	NO						
776164-4	NO						

Customer: Future Electronics Inc. (2883079)

Location: Singapore

Agreement Number: Agreement Unknown

Part Number(s) being Modified:

Part Number	Part Discontinued per PCN	Customer Drawing	Customer Part Number	Alias Part Number(s)	Substitute Part Number	Substitute Alias Part Number(s)	Description Of Difference
776164-1	NO						

Customer: Future Electronics Ltd (2895038)

Location: Leipzig

Agreement Number: Agreement Unknown

Part Number(s) being Modified:

Part Number	Part Discontinued per PCN	Customer Drawing	Customer Part Number	Alias Part Number(s)	Substitute Part Number	Substitute Alias Part Number(s)	Description Of Difference
776164-1	NO		776164-1				
776164-4	NO						

Customer: Future Electronics Inc. (1319888)

Location: Singapore

Agreement Number: Agreement Unknown

Part Number(s) being Modified:

Part Number	Part Discontinued per PCN	Customer Drawing	Customer Part Number	Alias Part Number(s)	Substitute Part Number	Substitute Alias Part Number(s)	Description Of Difference
776164-1	NO						
776164-4	NO						