



PRODUCT CHANGE NOTIFICATION
PCN-000907
Date: May 16, 2023


P1/2

Semtech Corporation, 200 Flynn Road, Camarillo CA 93012			
Change Details			
Part Number(s) Affected: SX1211I084TRT MRF89XAIWLTRT		Customer Part Number(s) Affected: <input checked="" type="checkbox"/> N/A	
Description, Purpose and Effect of Change: For business continuity purposes, Semtech has qualified an additional test facility for SX1211I084 and MRF89XAIWLTRT.			
	Additional Sites	POR	
Test	GREATEK, Taiwan	CARSEM, Malaysia	
Change Classification	<input checked="" type="checkbox"/> Major <input type="checkbox"/> Minor	Impact to Form, Fit, Function	<input type="checkbox"/> Yes <input checked="" type="checkbox"/> No
Impact to Data Sheet	<input type="checkbox"/> Yes <input checked="" type="checkbox"/> No	New Revision or Date	<input checked="" type="checkbox"/> N/A
Impact to Performance, Characteristics or Reliability:			
<ul style="list-style-type: none"> • No impact to performance, characteristics; or reliability • No Impact to data sheet content or package dimensions 			
Implementation Date	August 16, 2023 or earlier upon approval	Work Week	TBA
Last Time Ship (LTS) Of unchanged product	N/A	Affecting Lot No. / Serial No. (SN)	N/A
Sample Availability	Immediate	Qualification Report Availability	Attached
Supporting Documents for Change Validation/Attachments:			
<ul style="list-style-type: none"> • SX1211I084TRT_MRF89XAIWLTRT_From To Analysis_FinalTest Facility_Greatek. 			



PRODUCT CHANGE NOTIFICATION
PCN-000907
Date: May 16, 2023

P2/2

Issuing Authority	
Semtech Business Unit:	Wireless and Sensing Business Unit.
Semtech Contact Info:	<p>Olivier Muriset, Senior Quality Engineer APS Business Unit</p> <p>Semtech Neuchâtel SA Gouttes d'Or 40 CH-2000 Neuchâtel</p> <p>omuriset@semtech.com</p> <p>Office: + 41 32 729 40 28 Fax: + 41 32 729 40 01</p> <p>Digital signature </p>
FOR FURTHER INFORMATION & WORLDWIDE SALES COVERAGE: http://www.semtech.com/contact/index.html#support	



www.semtech.com



PCN No. 000907

Qualification of Greatek Taiwan as Alternate Final test source
Facility for SX1211I084TRT , MRF89XAIWLTRT

Semtech Confidential



FROM-TO Summary of Electrical Final Test Facilities

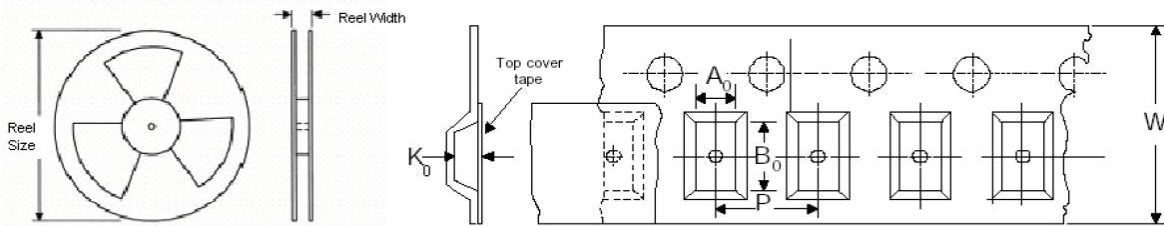
(Covered Part Numbers: SX1211I084TRT , MRF89XAIWLTRT)

	Current Supplier: Carsem (Malaysia)	Alternate Supplier: Greatek (Taiwan)
Test Platform	Teradyne FLEX	Teradyne FLEX
Manufacturing Qualification (Final Test)	In production	Qualified and Concluded as PASSING: - FT yield : 96% (< 2k units Lot size)
Cross Test Validation (Valid electrically Pass and Fail Parts)	10 pcs Golden Passing samples 10 pcs Valid Failing samples (with traceable serial marking)	10 pcs Golden Passed samples – Test results reproduced 10 pcs Valid Failing samples – Test results reproduced
Post-Final Test Packing material (Supplier)	Tape & Réel (C-Pack)	Tape & Réel (Advantek) - No change in specs and dimensions
Tested Customer samples	Available	Available
Status	Production	Qualified

Carrier tape 5x5 comparison (Carsem Vs Greatek)



Carrier tape Carsem - CPAK (Old)				Carrier tape Greatek - Advantek (New)			
Ao	Bo	Ko	W	Ao	Bo	Ko	W
5.25 +/- 0.1	5.25 +/- 0.1	1.1 +/- 0.1	12	5.25 +/- 0.1	5.25 +/- 0.1	1.1 +/- 0.1	12



→ User Direction of Feed

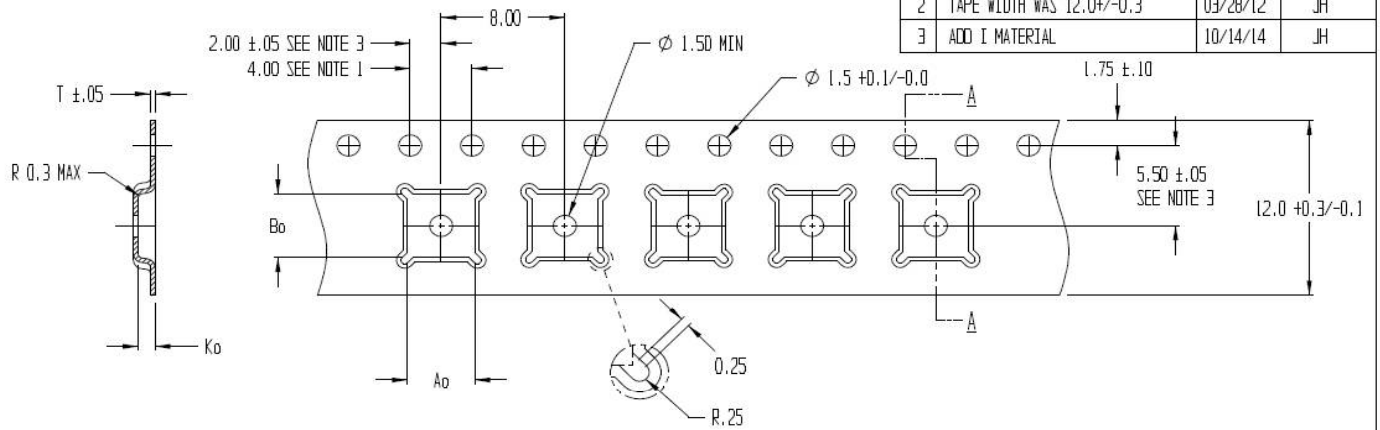
Pkg size	Carrier tape (mm)					Reel		Minimum Trailer Length (mm)	Minimum Leader Length (mm)	QTY per Reel
	Tape Width (W)	Pocket Pitch (P)	Ao	Bo	Ko	Reel Size (in)	Reel Width (mm)			
5x5	12	8	5.25	5.25	1.10	7/13	12.4	200/400	400	500/3000

Although carrier tape supplier were different but critical dimension were no difference.

Carrier tape for Greatek 5x5 (New)



REVISIONS			
REV	DESCRIPTION	DATE	APPROVED
1	DRAWING FORMAT CHANGE	7/24/01	BTH
2	TAPE WIDTH WAS 12.0+/-0.3	03/28/12	JH
3	ADD I MATERIAL	10/14/14	JH



SECTION A - A

A₀ = 5.25
 B₀ = 5.25
 K₀ = 1.10

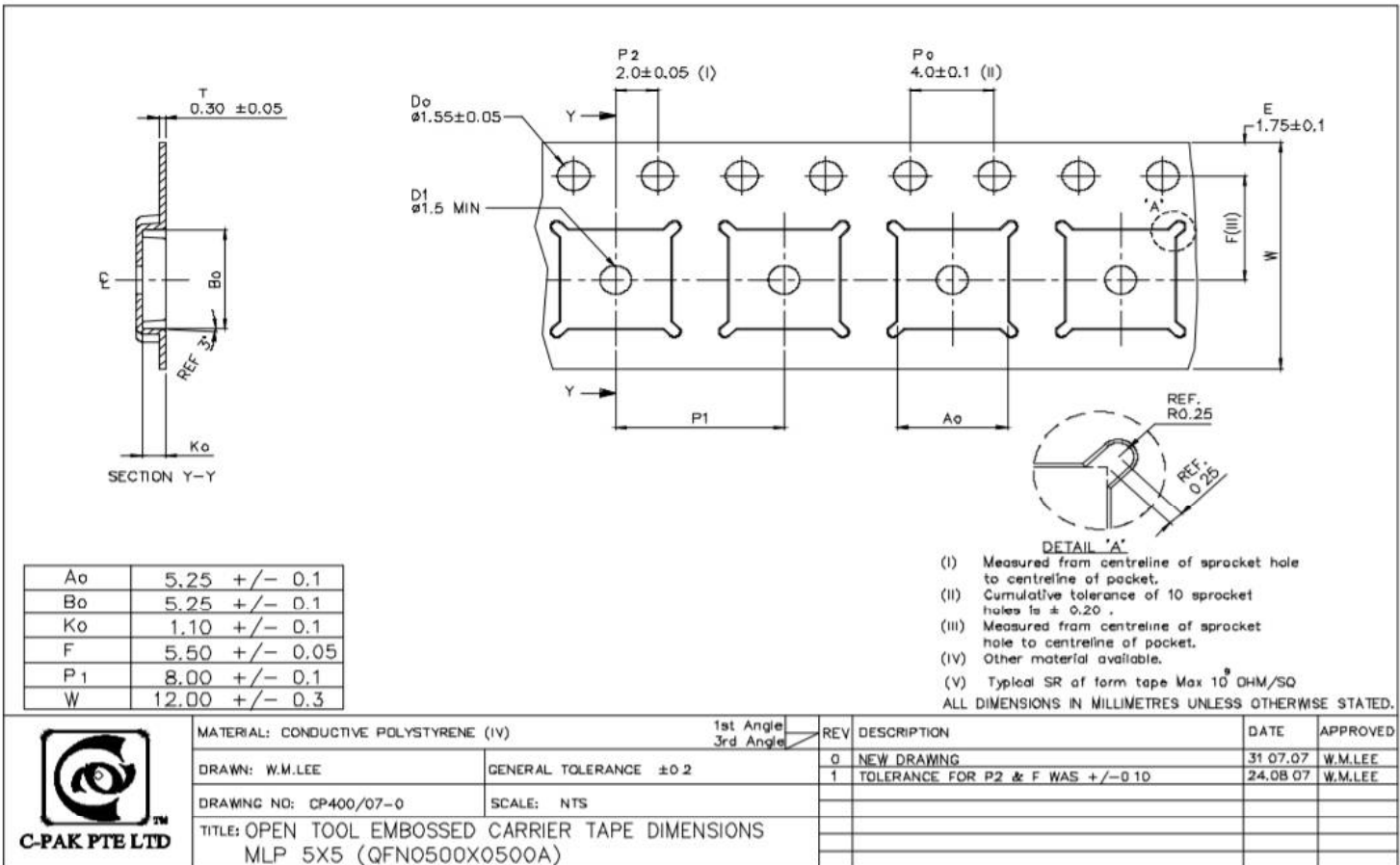
PART#	T	MATERIAL	DRAWING NO.
ML0505-AC	0.30	PS+C	T102531AT
ML0505-AD	0.30	PS+C	T108759BT
ML0505-AI	0.25	PS+C	T111798BT

- NOTES:
1. 10 SPROCKET HOLE PITCH CUMULATIVE TOLERANCE ±0.2
 2. CAMBER IN COMPLIANCE WITH EIA 481
 3. POCKET POSITION RELATIVE TO SPROCKET HOLE MEASURED AS TRUE POSITION OF POCKET, NOT POCKET HOLE



TITLE ADVANTEK PART DRAWING NUMBER ML0505-A CARRIER TAPE			
TOLERANCES - UNLESS NOTED 1PL ±.2 2PL ±.10		MATERIAL SEE TABLE	
ALL DIMENSIONS IN MILLIMETERS DWG SIZE B			
DRAWN BY TMD/BTH	DATE 10/07/99	SCALE 4:1	SHEET 1 OF 1
REFERENCE NO. T-9204	DWG NO. SEE TABLE	REV 3	

Carrier tape for Carsem 5x5 (Old)



THIS DRAWING CONTAINS INFORMATION THAT IS PROPRIETARY TO C-PAK PTE LTD