



Product Change Notification

Panasonic Batteries

Panasonic Industrial Devices Sales
Company of America
A Division of Panasonic
Corporation of North America
1701 Golf Road Suite 3-1100
Rolling Meadows, IL 60008

Toll Free: 877-726-2228

e-mail: oembatteries@us.panasonic.com

Internet: <https://na.industrial.panasonic.com/products/batteries>

Nature of Change:
Packaging

Affected Model:
BR-3032/BN and CR-3032/BN

Date of Notice:
January 4th, 2023

Attention: Valued customers:

Panasonic would like to announce the packaging change to the BR-3032/BN and CR-3032/BN. The carton quantity will be increased from 200 pieces to 400 pieces.

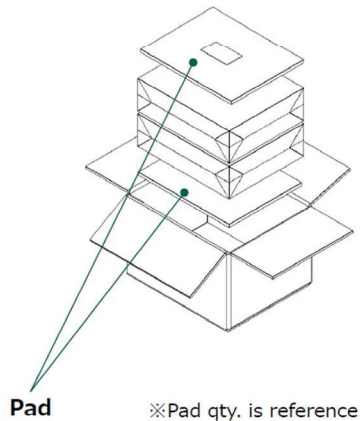
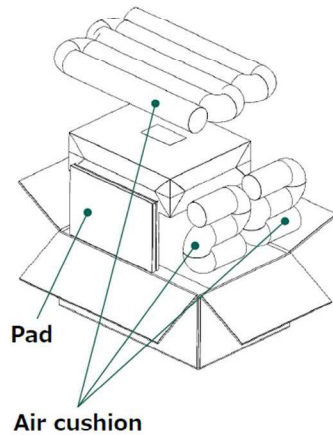
Details of Change

The tray and inner packaging will not be changing.

Carton Spec	
BR-3032/BN	
Carton Dimensions	W: 188 L: 220 H: 149 mm
Carton Weight	3.25kg
Tray Quantity	20
Inner Packaging	200
Carton Quantity	400

Carton Spec	
CR-3032/BN	
Carton Dimensions	W: 188 L: 220 H: 149 mm
Carton Weight	3.25kg
Tray Quantity	20
Inner Packaging	200
Carton Quantity	400

Current	Step-2
---------	--------



Reason for Change

To reduce packaging waste.

Timing

All New Orders

Thank you for your understanding regarding this product notice. If you have any questions, please contact your account manager or send an inquiry to oembatteries@us.panasonic.com.

Sincerely,

Christopher Holt
Product Manager
OEM Battery Group