



Product Change Notification

Current Date: 03-Jan-2023

TE Connectivity

Product Change Notification: PCN-22-161841

PCN Date: 22-DEC-22

Customer: Future Electronics(0000080100)

Location: WORLDWIDE

Agreement: Agreement Unknown

TE would like to inform you of the following change(s) to the listed TE Connectivity Product. In case of any further questions about this change(s), please contact your TE Connectivity Sales Engineer. Affected part, drawing and/or specification numbers are listed on the attached sheet(s).

General Product Description:

AMP MCP 1.5K PRODUCT GROUP DRAWING

Description of Changes

Updated dimension from 1.2+0.2 to MIN 1.2 .

Other attachments:

[FOR_EMEA_023_2_2019_08_22.rev.2](#)

Reason for Changes:

The tolerance extension of the transient area (neck) between body s head and wire crimp. The current DIM 1.2+0.2 in sector C7 in CD will be changed to MIN. 1.2 . This is not FFF change, functionality of the secondary lock will not be affected. This is correction of the current state acc. the production from the initial release.

PCN Attributes:

Product Category:	Kind of Change:
Terminals	Drawing
Change Feature:	Potential Customer Impact:
Drawing Change	No Customer Impact

Remarks:

Estimated Dates:

Last Order Date (Obsolete Parts Only):	First Ship Date of Changed Items (Changed Parts Only):
21-DEC-2022	21-DEC-2022
Last Ship Date of Changed Items (Obsolete Parts Only):	Last Date for Mixed Shipments: (Changed Parts Only):
21-DEC-2022	21-DEC-2022
Effectivity Date:	Date of First Samples:
21-DEC-2022	21-DEC-2022

The documents listed below are being modified. Related parts that are not explicitly listed on this PCN are not being modified or discontinued as per the PCN. The Last Order Date, Last Ship Date, First Date to Ship Changed Parts and last date for Mixed Shipments apply only to parts explicitly listed on this PCN.

Note: This PCN contains only document changes, these changes do not affect the form, fit or function of the parts referenced.

Customer Drawing(s) Being Modified:

Drawing Number	Related Part Number	Customer Part Number	Current Revision	New Revision
1241436	1241380-1, 1241380-3, 1241380-2		B23	

Customer: Future Electronics Ltd (1273129)

Location: Egham

Agreement Number: Agreement Unknown

The documents listed below are being modified. Related parts that are not explicitly listed on this PCN are not being modified or discontinued as per the PCN. The Last Order Date, Last Ship Date, First Date to Ship Changed Parts and last date for Mixed Shipments apply only to parts explicitly listed on this PCN.

Customer Drawing(s) Being Modified:

Drawing Number	Related Part Number	Customer Part Number	Current Revision	New Revision
1241436	1241380-1		B23	

Customer: Future Electronics Inc (184927)**Location:** Pointe Claire**Agreement Number:** Agreement Unknown

The documents listed below are being modified. Related parts that are not explicitly listed on this PCN are not being modified or discontinued as per the PCN. The Last Order Date, Last Ship Date, First Date to Ship Changed Parts and last date for Mixed Shipments apply only to parts explicitly listed on this PCN.

Customer Drawing(s) Being Modified:

Drawing Number	Related Part Number	Customer Part Number	Current Revision	New Revision
1241436	1241380-1		B23	

Customer: Future Electronics Inc (1290208)**Location:** Southaven**Agreement Number:** FUTAGR001

The documents listed below are being modified. Related parts that are not explicitly listed on this PCN are not being modified or discontinued as per the PCN. The Last Order Date, Last Ship Date, First Date to Ship Changed Parts and last date for Mixed Shipments apply only to parts explicitly listed on this PCN.

Customer Drawing(s) Being Modified:

Drawing Number	Related Part Number	Customer Part Number	Current Revision	New Revision
1241436	1241380-1		B23	

Customer: Future Electronics Inc. (1319888)**Location:** Singapore**Agreement Number:** Agreement Unknown

The documents listed below are being modified. Related parts that are not explicitly listed on this PCN are not being modified or discontinued as per the PCN. The Last Order Date, Last Ship Date, First Date to Ship Changed Parts and last date for Mixed Shipments apply only to parts explicitly listed on this PCN.

Customer Drawing(s) Being Modified:

Drawing Number	Related Part Number	Customer Part Number	Current Revision	New Revision
1241436	1241380-3, 1241380-2		B23	

Customer: Future Electronics Inc (1433287)**Location:** Bolton**Agreement Number:** Agreement Unknown

The documents listed below are being modified. Related parts that are not explicitly listed on this PCN are not being modified or discontinued as per the PCN. The Last Order Date, Last Ship Date, First Date to Ship Changed Parts and last date for Mixed Shipments apply only to parts explicitly listed on this PCN.

Customer Drawing(s) Being Modified:

Drawing Number	Related Part Number	Customer Part Number	Current Revision	New Revision
1241436	1241380-1		B23	

Customer: Future Electronics Inc. (1319888)**Location:** Singapore**Agreement Number:** Agreement Unknown

The documents listed below are being modified. Related parts that are not explicitly listed on this PCN are not being modified or discontinued as per the PCN. The Last Order Date, Last Ship Date, First Date to Ship Changed Parts and last date for Mixed Shipments apply only to parts explicitly listed on this PCN.

Customer Drawing(s) Being Modified:

Drawing Number	Related Part Number	Customer Part Number	Current Revision	New Revision
1241436	1241380-3, 1241380-2		B23	



PCN Description of Eng. Changes

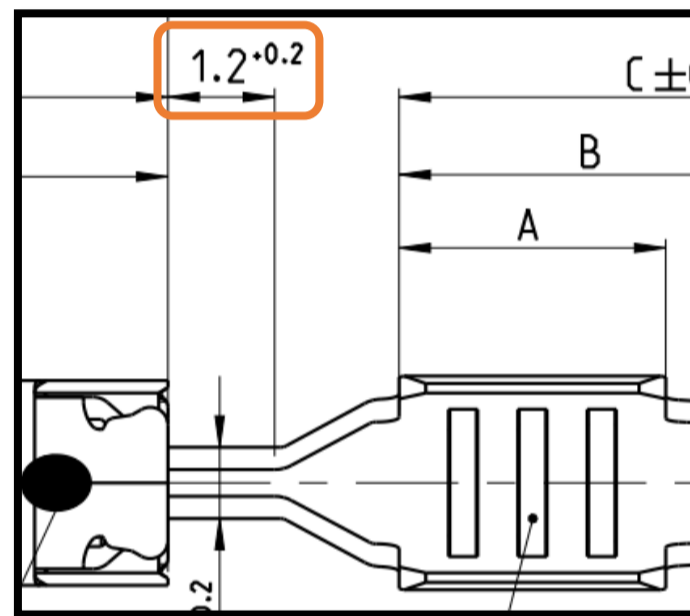
PCN No.
OEM / CAM informed
Estimated First Date for samples

PCN-22-161841					
Yes					
Not Applicable					

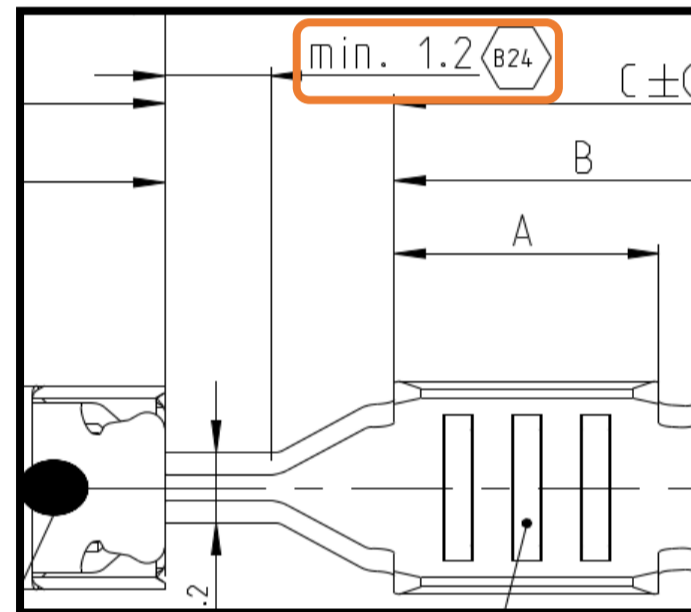
Picture:

The tolerance extension of the transient area (neck) between body's head and wire crimp.
The current DIM "1.2+0.2" in sector C7 in CD will be changed to "MIN. 1.2".
This is not FFF change, functionality of the secondary lock will not be affected.
This is correction of the current state acc. the production from the initial release.

Before Dimension (Dwg Rev B23)



Current Dimension (Dwg Rev B24)



x	Potential Impact for Customer	x	Product Type	x	Change Type	x	Kind of Change	x	Change Feature	Remark / Free text
		x	TERMINALS	x	No Form, Fit, Function	x	Drawing	x	Drawing Change	

