



# Product Change Notification

Current Date: 25-Nov-2022

## TE Connectivity

**Product Change Notification:** PCN-22-159284

**PCN Date:** 23-NOV-22

**Customer:** Future Electronics(0000080100)

**Location:** WORLDWIDE

**Agreement:** Agreement Unknown

TE would like to inform you of the following change(s) to the listed TE Connectivity Product. In case of any further questions about this change(s), please contact your TE Connectivity Sales Engineer. Affected part, drawing and/or specification numbers are listed on the attached sheet(s).

**General Product Description:**

CONTACT, RECEPTACLE, CRIMP SNAP-IN, MICRO MATE-N-LOK

**Description of Changes**

There are some dimensions in the loose piece customer drawings divergent from strip customer and production drawings. We are correcting those dimensions since loose-piece terminals are made from strip terminals!

**Other attachments:**
[Marked Copy](#)
[Marked Copy](#)
[Marked Copy](#)
**Reason for Changes:**

There are some dimensions tolerance in customer drawing in disagreement with what is specified in our production drawing. Then, we are correcting to avoid issues in future! This does not affect product functional because our products follow production drawings and it has been provided for a long time in this way!

**PCN Attributes:**

<b>Product Category:</b>	<b>Kind of Change:</b>
Terminals	Drawing
<b>Change Feature:</b>	<b>Potential Customer Impact:</b>
Revision Adjustment	No Customer Impact
<b>Remarks:</b>	
This is a correction to keep customer drawing aligned with production.	

**Estimated Dates:**

<b>Last Order Date (Obsolete Parts Only):</b>	<b>First Ship Date of Changed Items (Changed Parts Only):</b>
	29-NOV-2022
<b>Last Ship Date of Changed Items (Obsolete Parts Only):</b>	<b>Last Date for Mixed Shipments: (Changed Parts Only):</b>
	No Mixed Shipments
<b>Effectivity Date:</b>	<b>Date of First Samples:</b>

The documents listed below are being modified. Related parts that are not explicitly listed on this PCN are not being modified or discontinued as per the PCN. The Last Order Date, Last Ship Date, First Date to Ship Changed Parts and last date for Mixed Shipments apply only to parts explicitly listed on this PCN.

**Note: This PCN contains only document changes, these changes do not affect the form, fit or function of the parts referenced.**

**Customer Drawing(s) Being Modified:**

Drawing Number	Related Part Number	Customer Part Number	Current Revision	New Revision
<a href="#">794607</a>	1-794607-2		F3	
<a href="#">794610</a>	1-794610-1, 794610-1		D3	
<a href="#">794611</a>	1-794611-2, 794611-1		D3	

**Customer:** Future Electronics Ltd ( 1273129 )

**Location:** Egham

**Agreement Number:** Agreement Unknown

The documents listed below are being modified. Related parts that are not explicitly listed on this PCN are not being modified or discontinued as per the PCN. The Last Order Date, Last Ship Date, First Date to Ship Changed Parts and last date for Mixed Shipments apply only to parts explicitly listed on this PCN.

**Customer Drawing(s) Being Modified:**

Drawing Number	Related Part Number	Customer Part Number	Current Revision	New Revision
<a href="#">794607</a>	1-794607-2		F3	
<a href="#">794611</a>	794611-1		D3	

Customer: Future Electronics Inc ( 184927 )

Location: Pointe Claire

Agreement Number: FUTAGR002

The documents listed below are being modified. Related parts that are not explicitly listed on this PCN are not being modified or discontinued as per the PCN. The Last Order Date, Last Ship Date, First Date to Ship Changed Parts and last date for Mixed Shipments apply only to parts explicitly listed on this PCN.

## Customer Drawing(s) Being Modified:

Drawing Number	Related Part Number	Customer Part Number	Current Revision	New Revision
<a href="#">794607</a>	1-794607-2		F3	
<a href="#">794610</a>	794610-1		D3	

Customer: Future Electronics Asia Pacific ( 2923061 )

Location: Singapore

Agreement Number: Agreement Unknown

The documents listed below are being modified. Related parts that are not explicitly listed on this PCN are not being modified or discontinued as per the PCN. The Last Order Date, Last Ship Date, First Date to Ship Changed Parts and last date for Mixed Shipments apply only to parts explicitly listed on this PCN.

## Customer Drawing(s) Being Modified:

Drawing Number	Related Part Number	Customer Part Number	Current Revision	New Revision
<a href="#">794610</a>	1-794610-1		D3	
<a href="#">794611</a>	1-794611-2		D3	

Customer: Future Electronics Inc ( 1290208 )

Location: Southaven

Agreement Number: Agreement Unknown

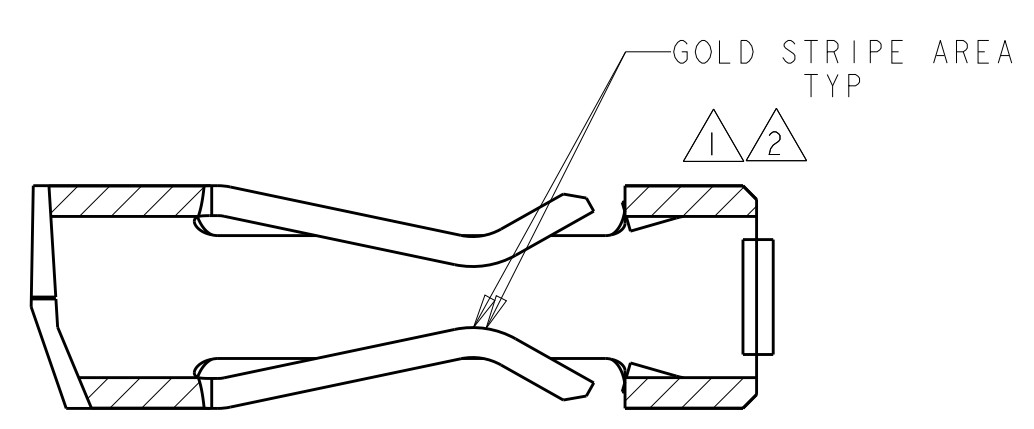
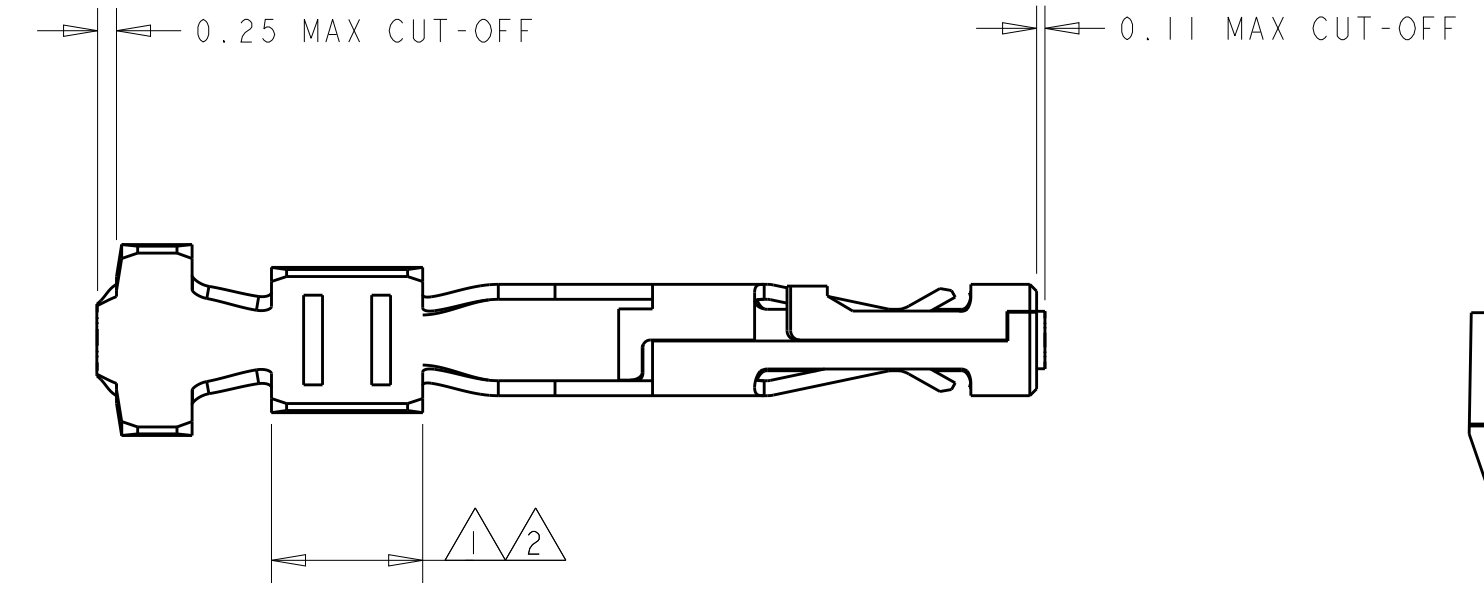
The documents listed below are being modified. Related parts that are not explicitly listed on this PCN are not being modified or discontinued as per the PCN. The Last Order Date, Last Ship Date, First Date to Ship Changed Parts and last date for Mixed Shipments apply only to parts explicitly listed on this PCN.

## Customer Drawing(s) Being Modified:

Drawing Number	Related Part Number	Customer Part Number	Current Revision	New Revision
<a href="#">794611</a>	1-794611-2		D3	

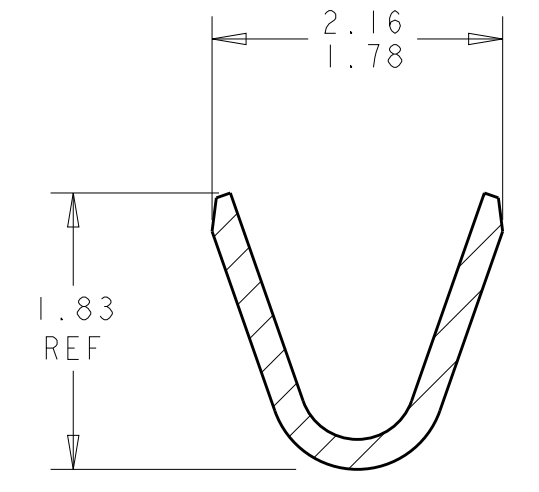
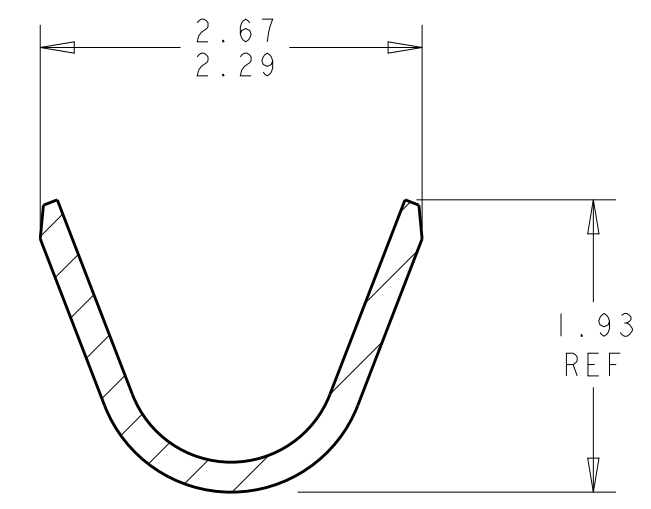
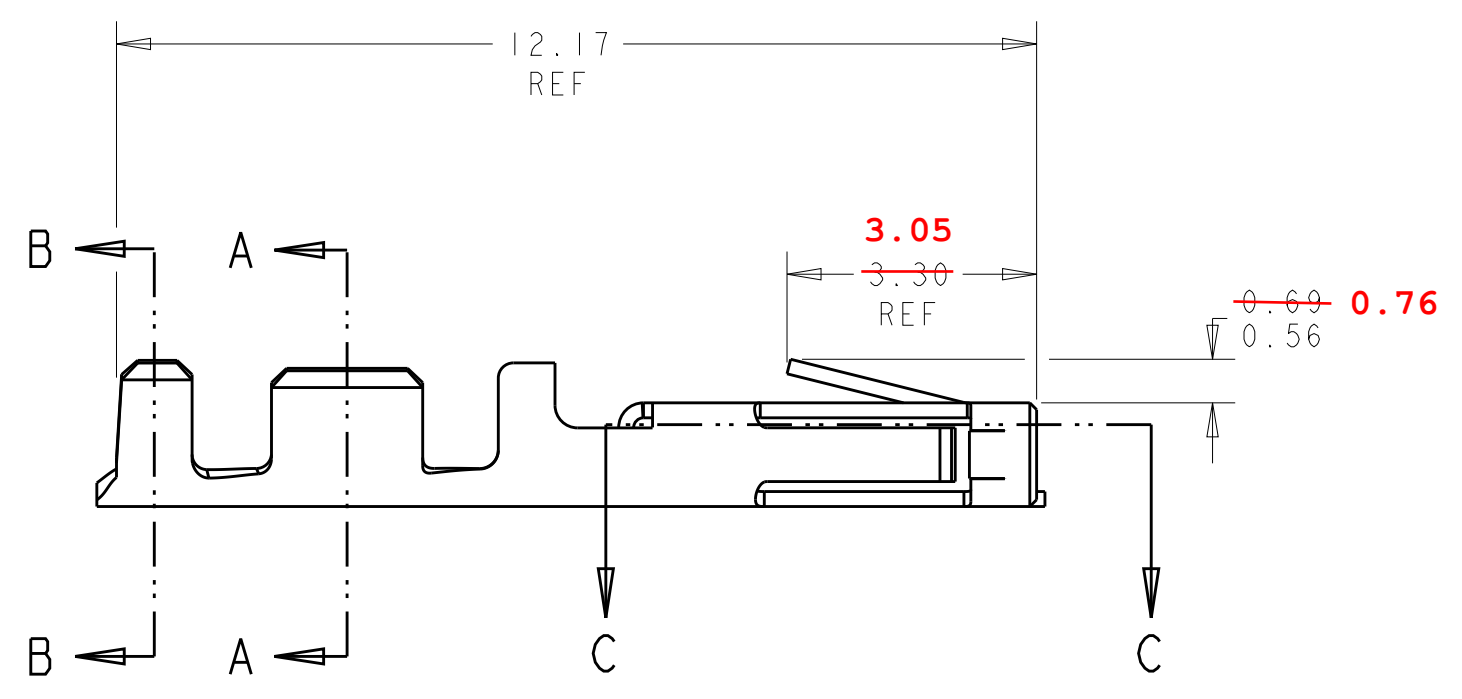
THIS DRAWING IS UNPUBLISHED. RELEASED FOR PUBLICATION  
 © COPYRIGHT 20 BY - ALL RIGHTS RESERVED.

LOC	DIST	REVISIONS					
CM	00	P	LTR	DESCRIPTION	DATE	DWN	APVD
		D1		REVISED PER ECO-11-005027	14MAR2011	RK	HMR
		D2		REVISED PER ECR-18-006831	12JUN2018	JB	DZ
		D3		ECO-19-006909	03MAY2019	AP	WS



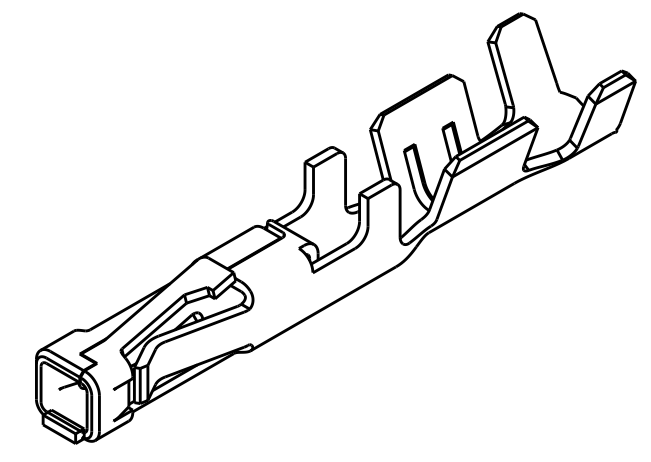
- 1 0.000762 THK GOLD STRIPE IN THE GOLD PLATE AREA, BRIGHT TIN IN THE CRIMP AREA, OVER NICKEL PLATE.
- 2 0.000381 THK GOLD STRIPE IN THE GOLD PLATE AREA, BRIGHT TIN IN THE CRIMP AREA, OVER NICKEL PLATE.
- 3 0.0015 - 0.0040 THK BRIGHT TIN.
- 4 WIRE RANGE: 20 - 24 AWG.
- 5 INSULATION RANGE 0.89 - 1.524.
- 7 0.000762 THK GOLD STRIPE IN THE GOLD PLATE AREA, BRIGHT TIN-LEAD IN THE CRIMP AREA, OVER NICKEL PLATE.
- 8 0.000381 THK GOLD STRIPE IN THE GOLD PLATE AREA, BRIGHT TIN-LEAD IN THE CRIMP AREA, OVER NICKEL PLATE.

**MARKED COPY**  
**NOV 22ND, 2022**  
**BY Washington Stefani**



SECTION B-B  
SCALE 20:1

SECTION A-A  
SCALE 20:1



3 DIMENSIONAL VIEW  
SCALE 8:1

	1	1-794610-2
	2	1-794610-1
SUPERSEDED BY	<del>1</del>	<del>794610-3</del>
SUPERSEDED BY	<del>8</del>	<del>794610-2</del>
	3	794610-1
REMARKS	FINISH	PART NUMBER

THIS DRAWING IS A CONTROLLED DOCUMENT.		DWN K. WHITAKER 19-OCT-1999	TE Connectivity	
DIMENSIONS: mm		CHK K. COBLE 19-OCT-1999		
TOLERANCES UNLESS OTHERWISE SPECIFIED:		APVD K. COBLE 19-OCT-1999	NAME	
0 PLC ±	1 PLC ±	PRODUCT SPEC	CONTACT, RECEPTACLE, CRIMP, SNAP-IN, LOOSE PIECE, MICRO MATE-N-LOK(TM)	
2 PLC ±0.13	3 PLC ±	108-1836	SIZE	CAGE CODE
4 PLC ±	ANGLES ±0.30°	114-13000	A2	00779
FINISH		WEIGHT	DRAWING NO	
0.2 PH BRZ SEE TABLE		-	C-794610	
		CUSTOMER DRAWING	SCALE	SHEET
			10:1	1 OF 1
				REV <b>D3</b>