



Product Change Notification / SYST-17MXYV945

Date:

18-Nov-2022

Product Category:

Memory

PCN Type:

Document Change

Notification Subject:

Data Sheet - SST25WF080B 8-Mbit 1.8V SPI Serial Flash Data Sheet

Affected CPNs:

[SYST-17MXYV945_Affected_CPN_11182022.pdf](#)

[SYST-17MXYV945_Affected_CPN_11182022.csv](#)

Notification Text:

SYST-17MXYV945

Microchip has released a new Datasheet for the SST25WF080B 8-Mbit 1.8V SPI Serial Flash Data Sheet of devices. If you are using one of these devices please read the document located at [SST25WF080B 8-Mbit 1.8V SPI Serial Flash Data Sheet](#).

Notification Status: Final

Description of Change: Updated Non-Automotive Product Identification System.

Impacts to Data Sheet: See above details.

Change Implementation Status: Complete

Date Document Changes Effective: 18 Nov 2022

NOTE: Please be advised that this is a change to the document only the product has not been changed.

Markings to Distinguish Revised from Unrevised Devices::N/A

Attachments:

[SST25WF080B 8-Mbit 1.8V SPI Serial Flash Data Sheet](#)

Please contact your local [Microchip sales office](#) with questions or concerns regarding this notification.

Terms and Conditions:

If you wish to receive Microchip PCNs via email please register for our PCN email service at our [PCN home page](#) select register then fill in the required fields. You will find instructions about registering for Microchips PCN email service in the [PCN FAQ](#) section.

If you wish to change your PCN profile, including opt out, please go to the [PCN home page](#) select login and sign into your myMicrochip account. Select a profile option from the left navigation bar and make the applicable selections.

8-Mbit, 1.8V, SPI Serial Flash

Features

- Single Voltage Read and Write Operations
 - 1.65V-1.95V
- Serial Interface Architecture
 - SPI Compatible: Mode 0 and Mode 3
- High-Speed Clock Frequency
 - 40 MHz
- Dual Input/Output Support
 - Fast-Read Dual-Output Instruction (3BH)
 - Fast-Read Dual I/O Instruction (BBH)
- Superior Reliability
 - Endurance: 100,000 Cycles
 - Greater than 20 years Data Retention
- Ultra-Low Power Consumption:
 - Active Read current: 4 mA (typical)
 - Standby current: 7 μ A (typical)
 - Deep Power-down current: 2 μ A (typical)
- Flexible Erase Capability
 - Uniform 4-Kbyte sectors
 - Uniform 64-Kbyte overlay blocks
- Page Program Mode
 - 256 bytes/Page
- Fast Erase and Page-Program:
 - Chip Erase time: 500 ms (typical)
 - Sector Erase time: 40 ms (typical)
 - Block Erase time: 80 ms (typical)
 - Page Program time: 0.8 ms/ 256 bytes (typical)
- End-of-Write Detection
 - Software polling the BUSY bit in STATUS Register
- Hold Pin (HOLD#)
 - Suspend a serial sequence without deselecting the device
- Write Protection (WP#)
 - Enables/Disables the Lock-Down function of the STATUS register
- Software Write Protection
 - Write protection through Block-Protection bits in STATUS register
- Temperature Range
 - Industrial: -40°C to +85°C
 - Extended: -40°C to +125°C
 - AECQ-100 Qualified
- All devices are RoHS compliant

Packages

- 8-lead SOIC (150 mils)
- 8-contact USON (2 mm x 3 mm)

Product Description

SST25WF080B is a member of the Serial Flash 25 Series family and feature a four-wire, SPI-compatible interface that allows for a low pin-count package which occupies less board space and ultimately lowers total system costs. SPI serial flash memory is manufactured with proprietary, high-performance CMOS SuperFlash[®] technology. The split-gate cell design and thick-oxide tunneling injector attain better reliability and manufacturability compared with alternate approaches.

This Serial Flash significantly improve performance and reliability, while lowering power consumption. The device writes (Program or Erase) with a single power supply of 1.65V-1.95V. The total energy consumed is a function of the applied voltage, current, and time of application. Since for any given voltage range, the SuperFlash technology uses less current to program and has a shorter erase time, the total energy consumed during any Erase or Program operation is less than alternative flash memory technologies.

See [Figure 2-1](#) for the pin assignments.

TO OUR VALUED CUSTOMERS

It is our intention to provide our valued customers with the best documentation possible to ensure successful use of your Microchip products. To this end, we will continue to improve our publications to better suit your needs. Our publications will be refined and enhanced as new volumes and updates are introduced.

If you have any questions or comments regarding this publication, please contact the Marketing Communications Department via E-mail at docerrors@microchip.com. We welcome your feedback.

Most Current Data Sheet

To obtain the most up-to-date version of this data sheet, please register at our Worldwide Web site at:

<http://www.microchip.com>

You can determine the version of a data sheet by examining its literature number found on the bottom outside corner of any page. The last character of the literature number is the version number, (e.g., DS30000000A is version A of document DS30000000).

Errata

An errata sheet, describing minor operational differences from the data sheet and recommended workarounds, may exist for current devices. As device/documentation issues become known to us, we will publish an errata sheet. The errata will specify the revision of silicon and revision of document to which it applies.

To determine if an errata sheet exists for a particular device, please check with one of the following:

- Microchip's Worldwide Web site; <http://www.microchip.com>
- Your local Microchip sales office (see last page)

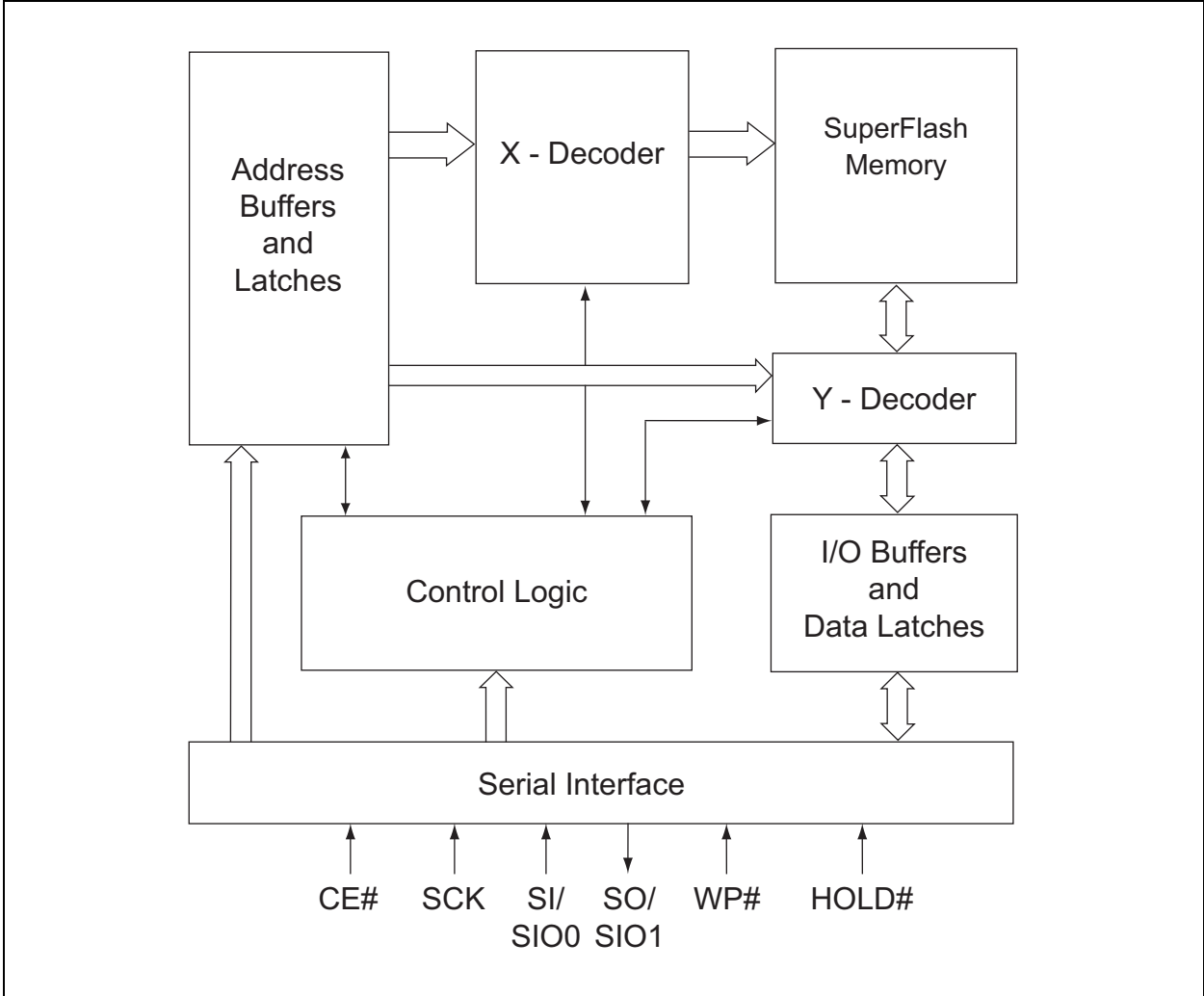
When contacting a sales office, please specify which device, revision of silicon and data sheet (include literature number) you are using.

Customer Notification System

Register on our web site at www.microchip.com to receive the most current information on all of our products.

1.0 FUNCTIONAL BLOCK DIAGRAM

FIGURE 1-1: FUNCTIONAL BLOCK DIAGRAM



SST25WF080B

2.0 PIN DESCRIPTION

FIGURE 2-1: PIN ASSIGNMENTS

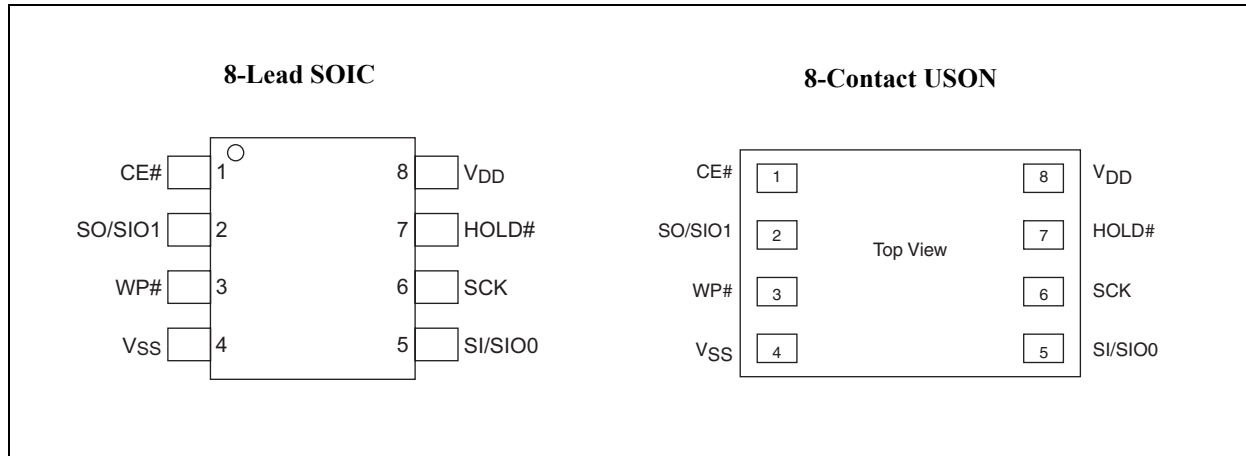


TABLE 2-1: PIN DESCRIPTION

| Symbol | Pin Name | Functions |
|----------|---|--|
| SCK | Serial Clock | To provide the input/output timing of the serial interface. Commands, addresses, or input data are latched on the rising edge of the clock input, while output data is shifted out on the falling edge of the clock input. |
| SI | Serial Data Input | To transfer commands, addresses, or data serially into the device. Inputs are latched on the rising edge of the serial clock. |
| SO | Serial Data Output | To transfer data serially out of the device. Data is shifted out on the falling edge of the serial clock. |
| SIO[0:1] | Serial Data Input/ Output for Dual I/O Mode | To transfer commands, addresses, or data serially into the device, or data out of the device. Inputs are latched on the rising edge of the serial clock. Data is shifted out on the falling edge of the serial clock. These pins are used in Dual I/O mode |
| CE# | Chip Enable | The device is enabled by a high to low transition on CE#. CE# must remain low for the duration of any command sequence. The device is deselected and placed in Standby mode when CE# is high. |
| WP# | Write Protect | The Write Protect (WP#) pin is used to enable/disable BPL bit in the status register. |
| HOLD# | Hold | To temporarily stop serial communication with SPI Flash memory while device is selected. |
| VDD | Power Supply | To provide power supply voltage: 1.65V-1.95V for SST25WF080B |
| VSS | Ground | |

3.0 MEMORY ORGANIZATION

The SST25WF080B SuperFlash memory arrays are organized in 256 uniform 4-Kbyte sectors, with 16 64-Kbyte overlay erasable blocks.

FIGURE 3-1: MEMORY MAP

| Number of 64 Kbyte Blocks | Number of Sectors | Top of Memory Block |
|---------------------------|-------------------|---------------------|
| 15 | 255 | 0FFFFFFH 0FF000H |
| | ⋮ | ⋮ |
| ⋮ | 240 | 0F0FFFFH 0F0000H |
| | ⋮ | ⋮ |
| 1 | 31 | 01FFFFH 01F000H |
| | ⋮ | ⋮ |
| ⋮ | 16 | 01FFFFH 010000H |
| | ⋮ | ⋮ |
| 0 | 15 | 00FFFFH 00F000H |
| | ⋮ | ⋮ |
| 0 | 1 | 001FFFFH 001000H |
| | 0 | 000FFFFH 000000H |

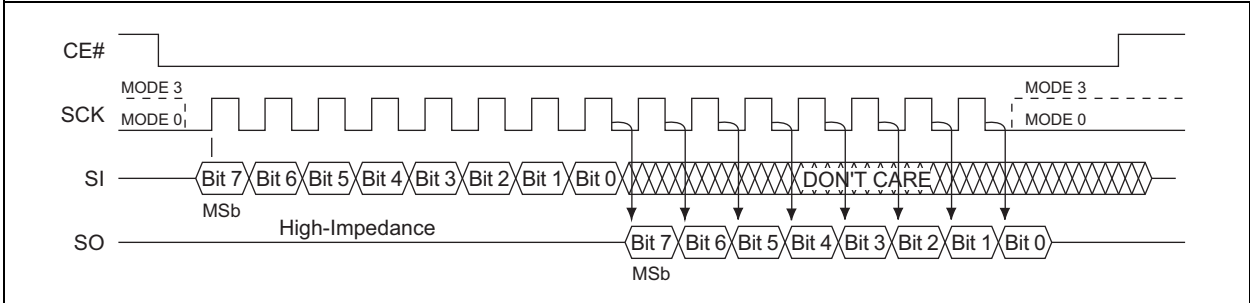
Bottom of Memory Block

4.0 DEVICE OPERATION

SST25WF080B is accessed through the SPI (Serial Peripheral Interface) bus compatible protocol. The SPI bus consist of four control lines; Chip Enable (CE#) is used to select the device, and data is accessed through the Serial Data Input (SI), Serial Data Output (SO), and Serial Clock (SCK).

The SST25WF080B supports both Mode 0 (0,0) and Mode 3 (1,1) of SPI bus operations. The difference between the two modes, as shown in Figure 4-1, is the state of the SCK signal when the bus client is in Standby mode and no data is being transferred. The SCK signal is low for Mode 0 and SCK signal is high for Mode 3. For both modes, the Serial Data In (SI) is sampled at the rising edge of the SCK clock signal and the Serial Data Output (SO) is driven after the falling edge of the SCK clock signal.

FIGURE 4-1: SPI PROTOCOL



SST25WF080B

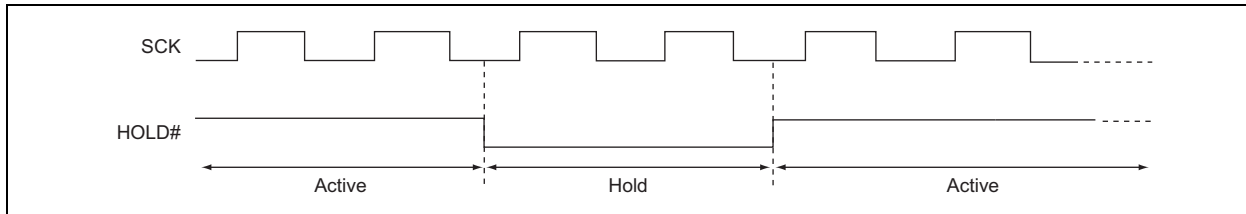
4.0.1 HOLD

In the hold mode, serial sequences underway with the SPI Flash memory are paused without resetting the clocking sequence. To activate the HOLD# mode, CE# must be in active-low state. The HOLD# mode begins when the SCK active-low state coincides with the falling edge of the HOLD# signal. The Hold mode ends when the rising edge of the HOLD# signal coincides with the SCK active-low state. HOLD# must not rise or fall when SCK logic level is high. See Figure 4-2 for Hold Condition waveform.

Once the device enters Hold mode, SO will be in high-impedance state while SI and SCK can be VIL or VIH.

If CE# is driven active-high during a Hold condition, the device returns to standby mode. The device can then be re-initiated with the command sequences listed in Table 5-1. As long as HOLD# signal is low, the memory remains in the Hold condition. To resume communication with the device, HOLD# must be driven active-high, and CE# must be driven active-low. See Figure 4-2 for Hold timing.

FIGURE 4-2: HOLD CONDITION WAVEFORM



4.1 Write Protection

SST25WF080B provides software Write protection. The Write-Protect pin (WP#) enables or disables the lock-down function of the STATUS register. The Block Protection bits (BP0, BP1, BP2, TB, and BPL) in the STA-

TUS register provide write protection to the memory array and the STATUS register. See Table 4-3 for the Block Protection description.

4.1.1 WRITE-PROTECT PIN (WP#)

The Write-Protect (WP#) pin enables the lock-down function of the BPL bit (bit 7) in the STATUS register. When WP# is driven low, the execution of the Write

STATUS Register (WRSR) instruction is determined by the value of the BPL bit (see Table 4-1). When WP# is high, the lock-down function of the BPL bit is disabled.

TABLE 4-1: CONDITIONS TO EXECUTE WRITE-STATUS-REGISTER (WRSR) INSTRUCTION

| WP# | BPL | Execute WRSR Instruction |
|-----|-----|--------------------------|
| L | 1 | Not Allowed |
| L | 0 | Allowed |
| H | X | Allowed |

4.2 STATUS Register

The software STATUS register provides status on whether the flash memory array is available for any read or write operation, whether the device is write enabled, and the state of the Memory Write protection.

During an internal erase or program operation, the STATUS register may be read only to determine the completion of an operation in progress. [Table 4-2](#) describes the function of each bit in the software STATUS register.

TABLE 4-2: SOFTWARE STATUS REGISTER

| Bit | Name | Function | Default at Power-up | Read/Write |
|-----|--------------------|--|---------------------|------------|
| 0 | BUSY | 1 = Internal write operation is in progress 0 = No internal write operation is in progress | 0 | R |
| 1 | WEL | 1 = Device is memory write-enabled 0 = Device is not memory write-enabled | 0 | R |
| 2 | BP0 ⁽¹⁾ | Indicate current level of block write protection (See Table 4-3) | 0 or 1 | R/W |
| 3 | BP1 ⁽¹⁾ | Indicate current level of block write protection (See Table 4-3) | 0 or 1 | R/W |
| 4 | BP2 ⁽¹⁾ | Indicate current level of block write protection (See Table 4-3) | 0 or 1 | R/W |
| 5 | TB ⁽¹⁾ | 1 = 1/16, 1/8, 1/4, or 1/2 Bottom Memory Blocks are protected (See Table 4-3) 0 = 1/16, 1/8, 1/4, or 1/2 Top Memory Blocks are protected | 0 or 1 | R/W |
| 6 | RES | Reserved for future use | 0 | N/A |
| 7 | BPL ⁽¹⁾ | 1 = BP0, BP1, BP2, TB, and BPL are read-only bits 0 = BP0, BP1, BP2, TB, and BPL are read/writable | 0 or 1 | R/W |

Note 1: BP0, BP1, BP2, TB, and BPL bits are non-volatile memory bits.

4.2.1 BUSY (BIT 0)

The BUSY bit determines whether there is an internal Erase or Program operation in progress. A '1' for the BUSY bit indicates the device is busy with an operation in progress. A '0' indicates the device is ready for the next valid operation.

4.2.2 WRITE ENABLE LATCH (WEL–BIT 1)

The Write-Enable Latch bit indicates the status of the internal Write-Enable Latch memory. If the WEL bit is set to '1', it indicates the device is Write enabled. If the bit is set to '0' (reset), it indicates the device is not Write enabled and does not accept any Write (Program/Erase) commands. The Write-Enable Latch bit is automatically reset under the following conditions:

- Power-Up
- Write Disable (WRDI) instruction completion
- Page Program instruction completion
- Sector Erase instruction completion
- 64-Kbyte Block Erase instruction completion
- Chip Erase instruction completion
- Write STATUS Register instruction completion

4.2.3 BLOCK PROTECTION (BP0, BP1, BP2, AND TB—BITS 2, 3, 4, AND 5)

The Block Protection (BP0, BP1, BP2, and TB) bits define the size of the memory area to be software protected against any memory Write (Program or Erase) operation, see [Table 4-3](#). The Write-Status-Register (WRSR) instruction is used to program the BP0, BP1, BP2, and TB bits as long as WP# is high or the Block Protect Lock (BPL) bit is '0'. Chip Erase can only be executed if Block Protection bits are all '0'. BP0, BP1, and BP2 select the protected area and TB allocates the protected area to the higher-order address area (Top Blocks) or lower-order address area (Bottom Blocks).

SST25WF080B

4.2.4 BLOCK PROTECTION LOCK-DOWN (BPL–BIT 7)

When the WP# pin is driven low (V_{IL}), it enables the Block Protection Lock Down (BPL) bit. When BPL is set to '1', it prevents any further alteration of the BP0, BP1, BP2, TB, and BPL bits. When the WP# pin is driven high (V_{IH}), the BPL bit has no effect and its value is 'Don't Care'.

TABLE 4-3: SOFTWARE STATUS REGISTER BLOCK PROTECTION

| Protection Level | STATUS Register Bit | | | | Protected Memory Address |
|---|---------------------|-----|-----|-----|--------------------------|
| | TB | BP2 | BP1 | BP0 | |
| 0 (Full Memory Array unprotected) | X | 0 | 0 | 0 | None |
| T1 (1/16 Top Memory Block protected) | 0 | 0 | 0 | 1 | 0F0000H-0FFFFFFH |
| T2 (1/8 Top Memory Block protected) | 0 | 0 | 1 | 0 | 0E0000H-0FFFFFFH |
| T3 (1/4 Top Memory Block protected) | 0 | 0 | 1 | 1 | 0C0000H-0FFFFFFH |
| T4 (1/2 Top Memory Block protected) | 0 | 1 | 0 | 0 | 080000H-0FFFFFFH |
| B1 (1/16 Bottom Memory Block protected) | 1 | 0 | 0 | 1 | 000000H-00FFFFFFH |
| B2 (1/8 Bottom Memory Block protected) | 1 | 0 | 1 | 0 | 000000H-01FFFFFFH |
| B3 (1/4 Bottom Memory Block protected) | 1 | 0 | 1 | 1 | 000000H-03FFFFFFH |
| B4 (1/2 Bottom Memory Block protected) | 1 | 1 | 0 | 0 | 000000H-07FFFFFFH |
| 5 (Full Memory Block protected) | X | 1 | 0 | 1 | 000000H-0FFFFFFH |
| 5 (Full Memory Block protected) | X | 1 | 1 | X | 000000H-0FFFFFFH |

5.0 INSTRUCTIONS

Instructions are used to read, write (Erase and Program), and configure the SST25WF080B devices. The instruction bus cycles are 8 bits each for commands (Op Code), data, and addresses. The Write Enable (\overline{WREN}) instruction must be executed prior to Sector Erase, Block Erase, Page Program, Write STATUS Register or Chip Erase instructions. The complete instructions are provided in Table 5-1. All instructions are synchronized off a high-to-low transition of CE#. Inputs will be accepted on the rising edge of SCK start-

ing with the most significant bit. CE# must be driven low before an instruction is entered and must be driven high after the last bit of the instruction has been shifted in (except for Read, Read-ID, and Read STATUS Register instructions). Any low-to-high transition on CE#, before receiving the last bit of an instruction bus cycle, will terminate the instruction in progress and return the device to standby mode. Instruction commands (Op Code), addresses, and data are all input from the most significant bit (MSb) first.

TABLE 5-1: DEVICE OPERATION INSTRUCTIONS

| Instruction | Description | Op Code Cycle ⁽¹⁾ | Address Cycle(s) ⁽²⁾ | Dummy Cycle(s) | Data Cycle(s) | Maximum Frequency |
|-------------|-------------|------------------------------|---------------------------------|----------------|---------------|-------------------|
| Read | Read Memory | 0000 0011b (03H) | 3 | 0 | 1 to ∞ | 30 MHz |

Note 1: One bus cycle is eight clock periods.

- 2:** Address bits above the most significant bit of each density can be VIL or VIH.
- 3:** One bus cycle is four clock periods in Dual Operation
- 4:** 4-Kbyte Sector Erase addresses: use AMS-A12, remaining addresses are "don't care" but must be set either at VIL or VIH.
- 5:** 64-Kbyte Block Erase addresses: use AMS-A16, remaining addresses are "don't care" but must be set either at VIL or VIH.
- 6:** The Read STATUS Register is continuous with ongoing clock cycles until terminated by a low-to-high transition on CE#.
- 7:** Device ID is read after three dummy address bytes. The Device ID output stream is continuous until terminated by a low-to-high transition on CE#.
- 8:** The instructions Release from Deep Power down and Read-ID are similar instructions (ABH). Executing Read-ID requires the ABH instruction, followed by 24 dummy address bits to retrieve the Device ID. Release from Deep Power-Down only requires the instruction ABH.

SST25WF080B

TABLE 5-1: DEVICE OPERATION INSTRUCTIONS

| Instruction | Description | Op Code Cycle ⁽¹⁾ | Address Cycle(s) ⁽²⁾ | Dummy Cycle(s) | Data Cycle(s) | Maximum Frequency |
|-------------------------------------|---|--|---------------------------------|------------------|-----------------------|-------------------|
| High-Speed Read | Read Memory at Higher Speed | 0000 1011b (0BH) | 3 | 1 | 1 to ∞ | 40 MHz |
| Fast-Read Dual-Output | Read Memory with Dual Output | 0011 1011b (3BH) | 3 | 1 ⁽³⁾ | 1 to ∞ ⁽³⁾ | |
| Fast-Read Dual I/O | Read Memory with Dual Address Input and Data Output | 1011 1011b (BBH) | 3 ⁽³⁾ | 1 ⁽³⁾ | 1 to ∞ ⁽³⁾ | |
| 4-Kbyte Sector Erase ⁽⁴⁾ | Erase 4 Kbyte of memory array | 0010 0000b (20H) 1101 0111b (D7H) | 3 | 0 | 0 | |
| 64-Kbyte Block Erase ⁽⁵⁾ | Erase 64-Kbyte block of memory array | 1101 1000b (D8H) | 3 | 0 | 0 | |
| Chip Erase | Erase Full Memory Array | 0110 0000b (60H) or 1100 0111b (C7H) | 0 | 0 | 0 | |
| Page Program | To program up to 256 bytes | 0000 0010b (02H) | 3 | 0 | 1 to 256 | |
| RDSR ⁽⁶⁾ | Read STATUS Register | 0000 0101b (05H) | 0 | 0 | 1 to ∞ | |
| WRSR | Write STATUS Register | 0000 0001b (01H) | 0 | 0 | 1 | |
| WREN | Write Enable | 0000 0110b (06H) | 0 | 0 | 0 | |
| WRDI | Write Disable | 0000 0100b (04H) | 0 | 0 | 0 | |
| RDID ^(7, 8) | Read-ID | 1010 1011b (ABH) | 3 | 0 | 1 to ∞ | |
| JEDEC-ID | JEDEC ID Read | 1001 1111b (9FH) | 0 | 0 | 4 to ∞ | |
| DPD | Deep Power-Down Mode | 1011 1001b (B9H) | 0 | 0 | 0 | |
| RDPD ⁽⁸⁾ | Release from Deep Power-Down or Read ID | 1010 1011b (ABH) | 0 | 0 | 0 | |

Note 1: One bus cycle is eight clock periods.

2: Address bits above the most significant bit of each density can be V_{IL} or V_{IH}.

3: One bus cycle is four clock periods in Dual Operation

4: 4-Kbyte Sector Erase addresses: use AMS-A12, remaining addresses are “don’t care” but must be set either at V_{IL} or V_{IH}.

5: 64-Kbyte Block Erase addresses: use AMS-A16, remaining addresses are “don’t care” but must be set either at V_{IL} or V_{IH}.

6: The Read STATUS Register is continuous with ongoing clock cycles until terminated by a low-to-high transition on CE#.

7: Device ID is read after three dummy address bytes. The Device ID output stream is continuous until terminated by a low-to-high transition on CE#.

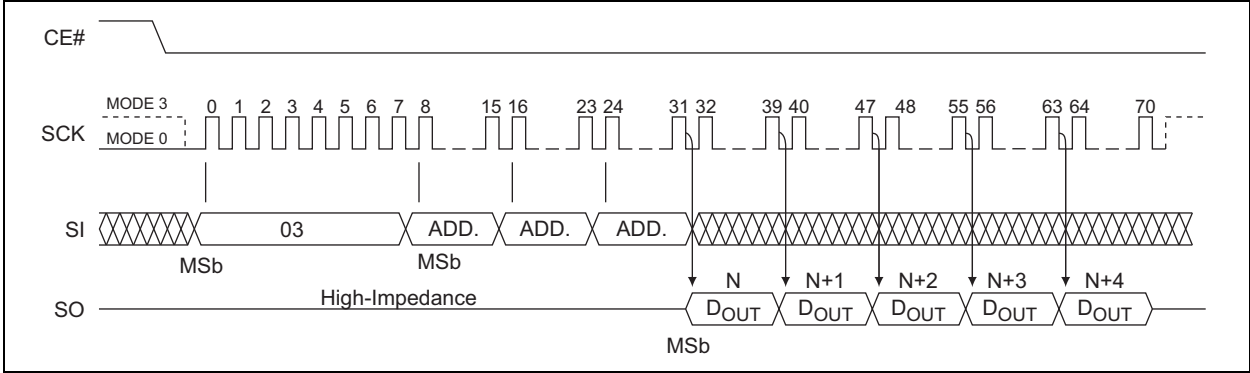
8: The instructions Release from Deep Power down and Read-ID are similar instructions (ABH). Executing Read-ID requires the ABH instruction, followed by 24 dummy address bits to retrieve the Device ID. Release from Deep Power-Down only requires the instruction ABH.

5.1 Read (30 MHz)

The Read instruction, 03H, supports up to 30 MHz Read. The device outputs a data stream starting from the specified address location. The data stream is continuous through all addresses until terminated by a low-to-high transition on CE#. The internal address pointer automatically increments until the highest memory address is reached. Once the highest memory address is reached, the address pointer automatically incre-

ments to the beginning (wrap-around) of the address space. For example, for 8 Mbit density, once the data from the address location FFFFFH is read, the next output is from address location 000000H. The READ instruction is initiated by executing an 8-bit command, 03H, followed by address bits A23-A0. CE# must remain active-low for the duration of the Read cycle. See Figure 5-2 for the Read sequence.

FIGURE 5-1: READ SEQUENCE



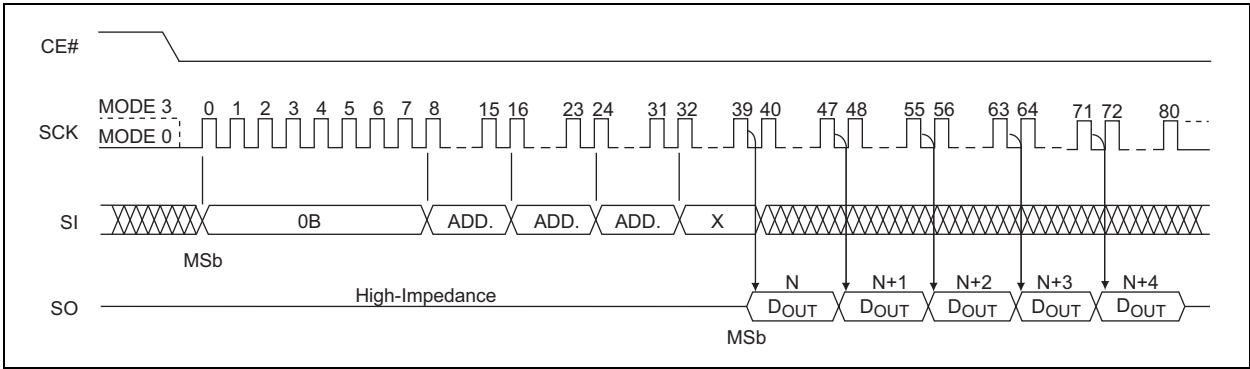
5.2 High-Speed Read (40 MHz)

The High-Speed Read instruction supporting up to 40 MHz Read is initiated by executing an 8-bit command, 0BH, followed by address bits [A23-A0] and a dummy byte. CE# must remain active-low for the duration of the High-Speed Read cycle. See Figure 5-3 for the High-Speed Read sequence.

Following a dummy cycle, the High-Speed Read instruction outputs the data starting from the specified address location. The data output stream is continuous

through all addresses until terminated by a low-to-high transition on CE#. The internal address pointer will automatically increment until the highest memory address is reached. Once the highest memory address is reached, the address pointer will automatically increment to the beginning (wrap-around) of the address space. For example, for 8-Mbit density, once the data from address location FFFFFH is read, the next output will be from address location 000000H.

FIGURE 5-2: HIGH-SPEED READ SEQUENCE



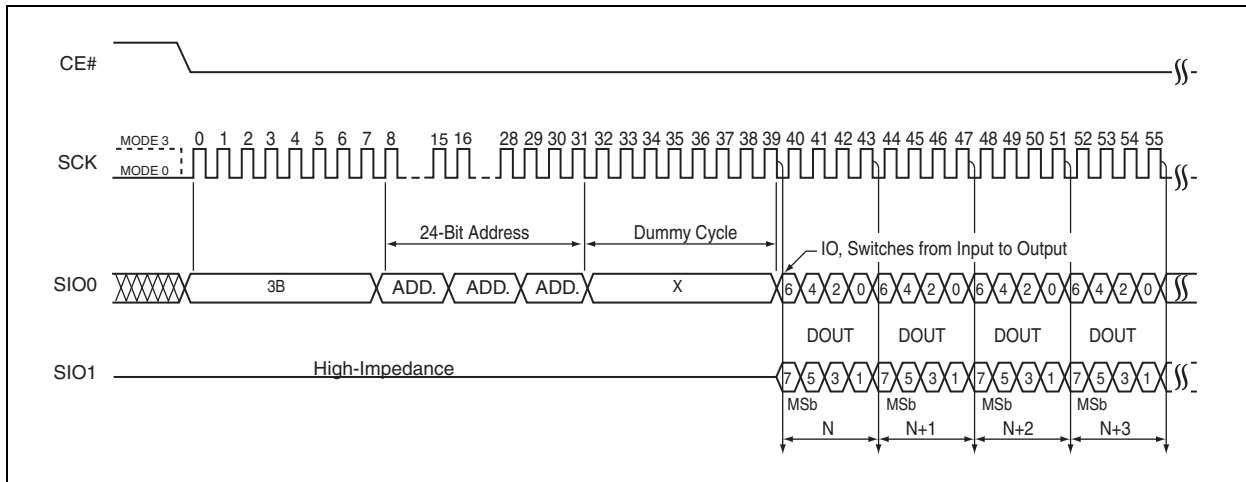
SST25WF080B

5.3 Fast-Read Dual Output (40 MHz)

The Fast-Read Dual-Output (3BH) instruction outputs data up to 40 MHz from the SIO0 and SIO1 pins. To initiate the instruction, execute an 8-bit command (3BH) followed by address bits A23-A0 and a dummy byte on SI/SIO0. Following a dummy cycle, the Fast-Read Dual-Output instruction outputs the data starting from the specified address location on the SIO1 and SIO0 lines. SIO1 outputs, per clock sequence, odd data bits D7, D5, D3, and D1; and SIO0 outputs even data bits D6, D4, D2, and D0. CE# must remain active-low for the duration of the Fast-Read Dual-Output instruction cycle. See [Figure 5-3](#) for the Fast-Read Dual-Output sequence.

The data output stream is continuous through all addresses until terminated by a low-to-high transition on CE#. The internal address pointer will automatically increment until the highest memory address is reached. Once the highest memory address is reached, the address pointer automatically increments to the beginning (wraparound) of the address space. For 8-Mbit density, once the data from address location FFFFFH has been read the next output will be from address location 000000H.

FIGURE 5-3: FAST-READ DUAL OUTPUT SEQUENCE



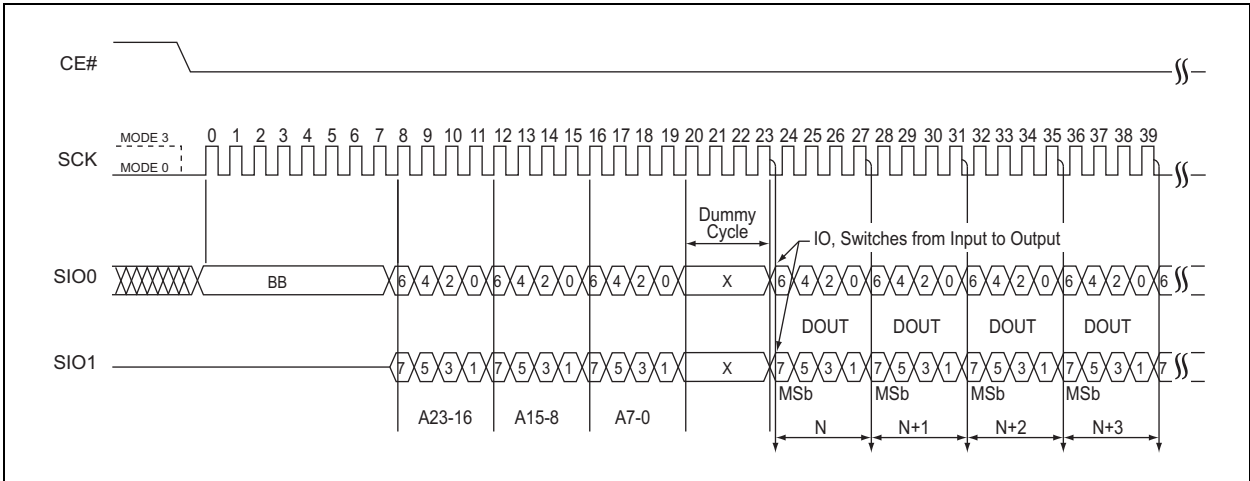
5.4 Fast-Read Dual I/O (40 MHz)

The Fast-Read Dual I/O (BBH) instruction reduces the total number of input clock cycles, which results in faster data access. The device is first selected by driving Chip Enable CE# low. Fast-Read Dual I/O is initiated by executing an 8-bit command (BBH) on S1/SIO0, thereafter, the device accepts address bits A23-A0 and a dummy byte on S1/SIO0 and SO/SIO1. It offers the capability to input address bits A23-A0 at a rate of two bits per clock. Odd address bits A23 through A1 are input on SIO1 and even address bits A22 through A0 are input on SIO0, alternately. For example, the most significant bit is input first followed by A23/22, A21/A20, and so on. Each bit is latched at the same rising edge of the Serial Clock (SCK). The input data during the dummy clocks is “don't care”. However, the SIO0 and SIO1 pin must be in high-impedance prior to the falling edge of the first data output clock.

Following a dummy cycle, the Fast-Read Dual I/O instruction outputs the data starting from the specified address location on the SIO1 and SIO0 lines. SIO1 outputs, per clock sequence, odd data bits D7, D5, D3, and D1; and SIO0 outputs even data bits D6, D4, D2, and D0 per clock edge. CE# must remain active-low for the duration of the Fast-Read Dual I/O instruction cycle. The data output stream is continuous through all addresses until terminated by a low-to-high transition on CE#.

The internal address pointer will automatically increment until the highest memory address is reached. Once the highest memory address is reached, the address pointer automatically increments to the beginning (wraparound) of the address space. For example, once the data from address location FFFFFH is read, the next output is from address location 000000H. See [Figure 5-4](#) for the Fast-Read Dual I/O sequence.

FIGURE 5-4: FAST-READ DUAL I/O SEQUENCE



SST25WF080B

5.5 Page Program

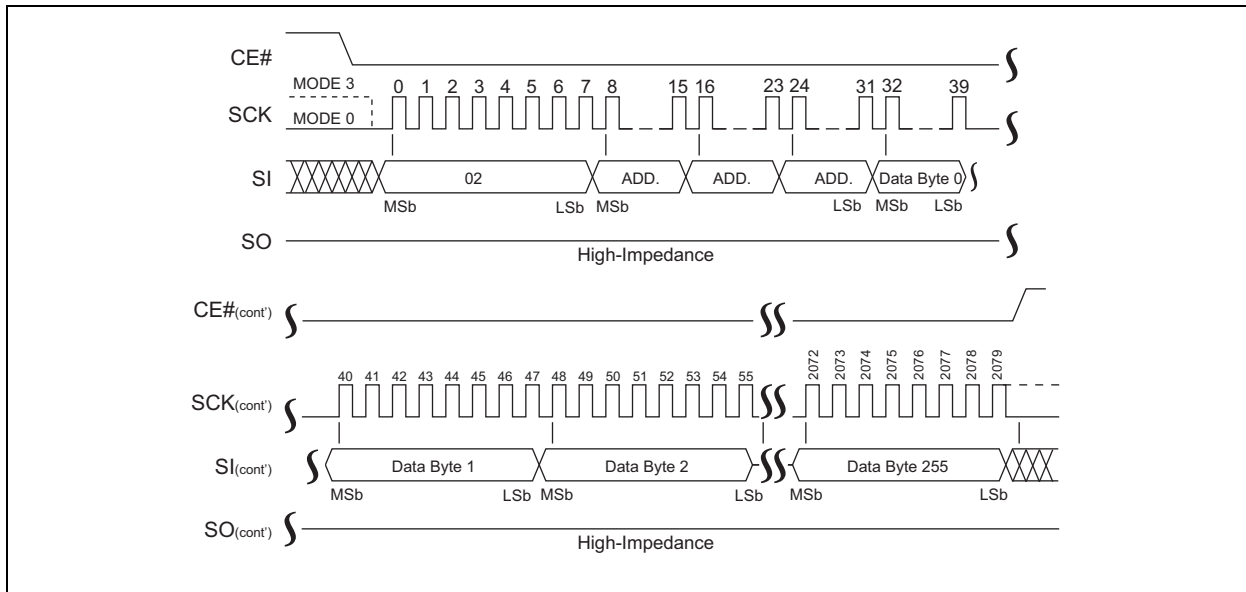
The Page Program instruction programs up to 256 bytes of data in the memory. The data for the selected page address must be in the erased state (FFH) before initiating the Page Program operation. A Page Program applied to a protected memory area will be ignored. Prior to the program operation, execute the WREN instruction.

To execute a Page Program operation, the host drives CE# low, then sends the Page Program command cycle (02H), three address cycles, followed by the data to be programmed, and then drives CE# high. The programmed data must be between 1 to 256 bytes and in whole byte increments; sending less than a full byte will cause the partial byte to be ignored. Poll the BUSY bit in the STATUS register, or wait TPP, for the completion

of the internal, self-timed, Page Program operation. See Figure 5-5 for the Page Program sequence and Figure 6-8 for the Page Program flow chart.

When executing Page Program, the memory range for the SST25WF080B is divided into 256-byte page boundaries. The device handles the shifting of more than 256 bytes of data by maintaining the last 256 bytes as the correct data to be programmed. If the target address for the Page Program instruction is not the beginning of the page boundary (A[7:0] are not all zero), and the number of bytes of data input exceeds or overlaps the end of the address of the page boundary, the excess data inputs wrap around and will be programmed at the start of that target page.

FIGURE 5-5: PAGE PROGRAM SEQUENCE

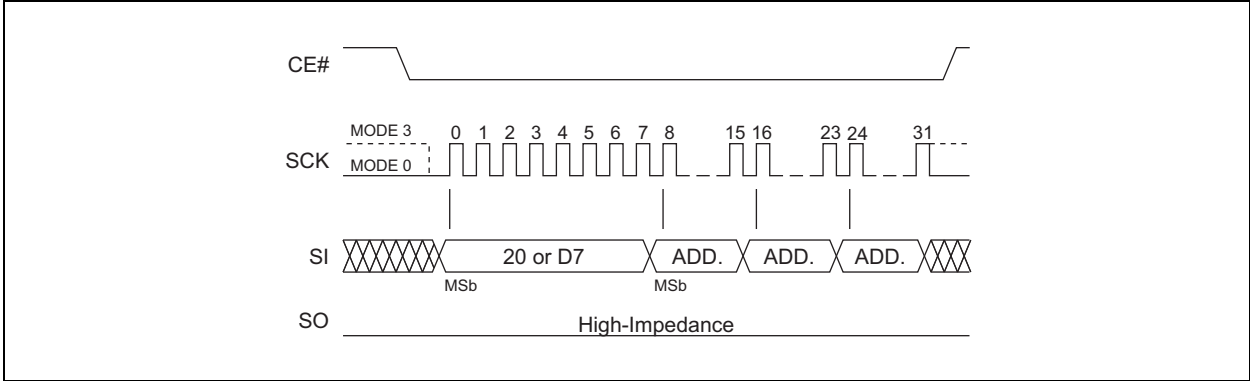


5.6 Sector Erase

The Sector Erase instruction clears all bits in the selected 4-Kbyte sector to FFH. A Sector Erase instruction applied to a protected memory area will be ignored. Prior to any write operation, the Write Enable (\overline{WREN}) instruction must be executed. $CE\#$ must remain active-low for the duration of any command sequence. The Sector Erase instruction is initiated by executing an 8-bit command, 20H or D7H, followed by address

bits [A23-A0]. Address bits [AMS-A12] (AMS = Most Significant address) are used to determine the sector address (SAX), remaining address bits can be V_{IL} or V_{IH} . $CE\#$ must be driven high before the instruction is executed. Poll the BUSY bit in the Software STATUS register, or wait T_{SE} , for the completion of the internal self-timed Sector Erase cycle. See Figure 5-6 for the Sector Erase sequence and Figure 6-9 for the flow chart.

FIGURE 5-6: SECTOR ERASE SEQUENCE



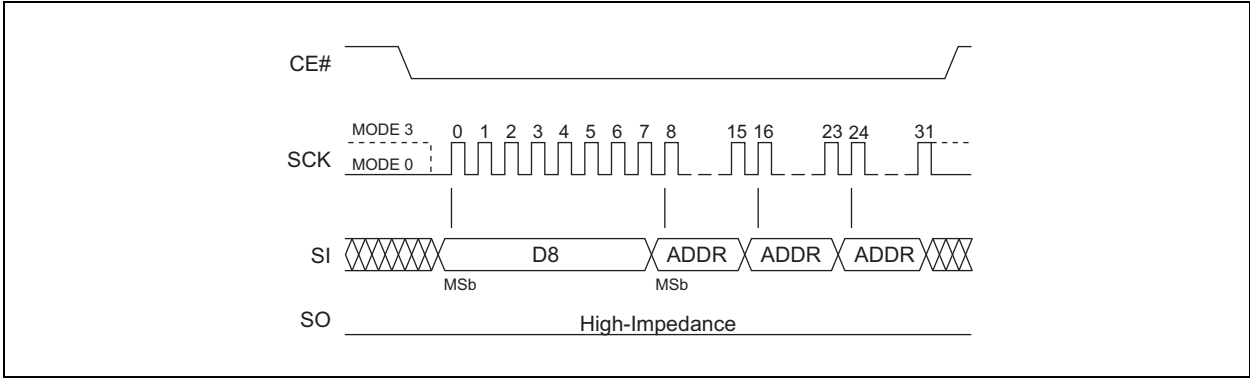
5.7 64-Kbyte Block Erase

The 64-Kbyte Block Erase instruction clears all bits in the selected 64-Kbyte block to FFH. Applying this instruction to a protected memory area results in the instruction being ignored. Prior to any Write operation, the Write Enable (\overline{WREN}) instruction must be executed. $CE\#$ must remain active-low for the duration of any command sequence.

[A23-A0]. Address bits [AMS-A16] (AMS = Most Significant Address) determine the block address (BAX), remaining address bits can be V_{IL} or V_{IH} . $CE\#$ must be driven high before executing the instruction. Poll the BUSY bit in the software status register or wait T_{BE} for the completion of the internal self-timed Block Erase cycle. See Figure 5-7 for the 64-Kbyte Block Erase sequences and Figure 6-9 for the flow chart.

Initiate the 64-byte Block Erase instruction by executing an 8-bit command, D8H, followed by address bits

FIGURE 5-7: 64-KBYTE BLOCK ERASE SEQUENCE



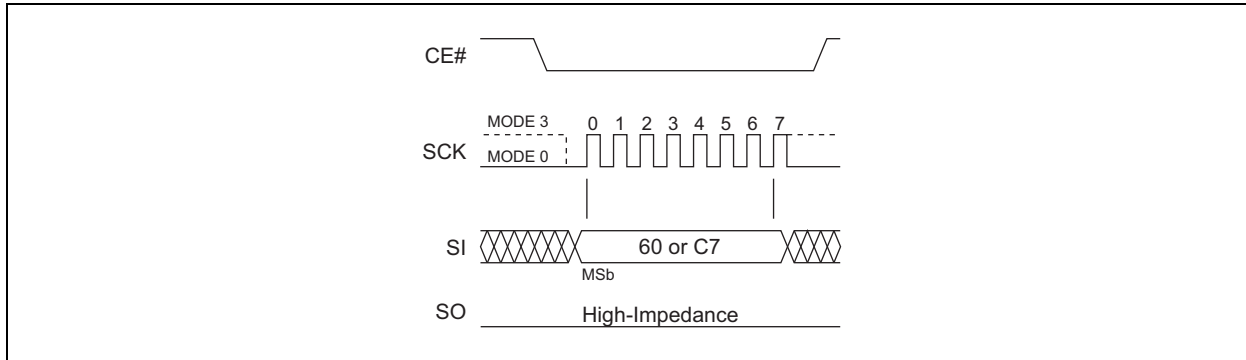
SST25WF080B

5.8 Chip Erase

The Chip Erase instruction clears all bits in the device to FFH. A Chip Erase instruction is ignored if any of the memory area is protected. Prior to any write operation, the Write Enable (*WREN*) instruction must be executed. *CE#* must remain active-low for the duration of the Chip Erase instruction sequence. Initiate the Chip Erase

instruction by executing an 8-bit command, 60H or C7H. *CE#* must be driven high before the instruction is executed. Poll the *BUSY* bit in the Software *STATUS* register, or wait *TSCE*, for the completion of the internal self-timed Chip Erase cycle. See [Figure 5-8](#) for the Chip Erase sequence and [Figure 6-10](#) for the flow chart.

FIGURE 5-8: CHIP ERASE SEQUENCE

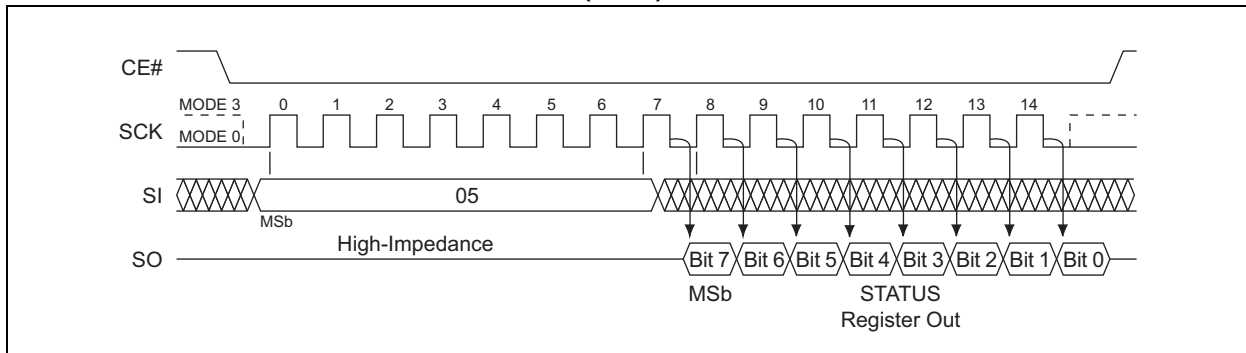


5.9 Read STATUS Register (RDSR)

The Read STATUS Register (*RDSR*) instruction, 05H, allows reading of the STATUS register. The STATUS register may be read at any time even during a write (program/erase) operation. When a write operation is in progress, the *BUSY* bit may be checked before sending any new commands to assure that the new commands are properly received by the device. *CE#* must

be driven low before the *RDSR* instruction is entered and remain low until the status data is read. Read STATUS Register is continuous with ongoing clock cycles until it is terminated by a low-to-high transition of the *CE#*. See [Figure 5-9](#) for the *RDSR* instruction sequence.

FIGURE 5-9: READ STATUS REGISTER (RDSR) SEQUENCE

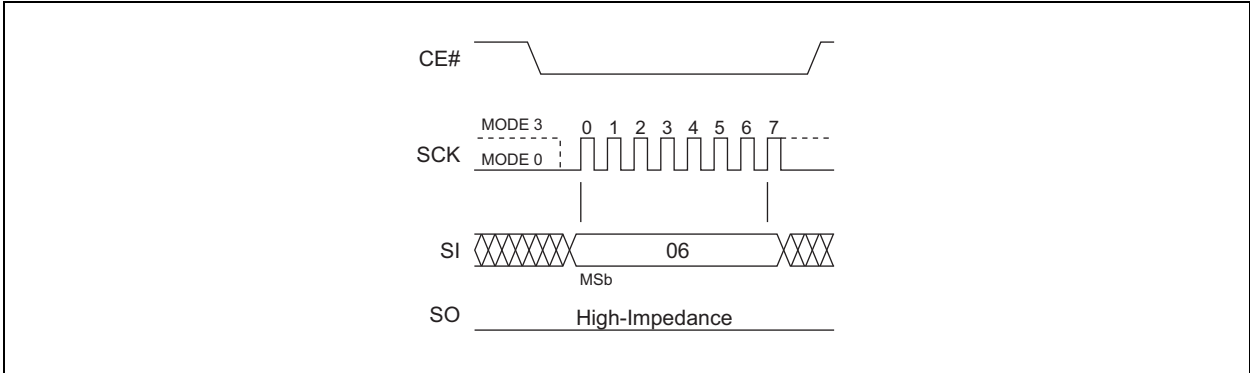


5.10 Write Enable (WREN)

The Write Enable (WREN) instruction, 06H, sets the Write Enable Latch bit in the STATUS Register to '1' allowing write operations to occur. The WREN instruction must be executed prior to any Write (Program/Erase) operation. The WREN instruction may also be used to allow execution of the Write STATUS Register (WRSR)

instruction; however, the Write Enable Latch bit in the STATUS register will be cleared upon the rising edge CE# of the WRSR instruction. CE# must be driven low before entering the WREN instruction, and CE# must be driven high before executing the WREN instruction. See Figure 5-10 for the WREN instruction sequence.

FIGURE 5-10: WRITE ENABLE (WREN) SEQUENCE

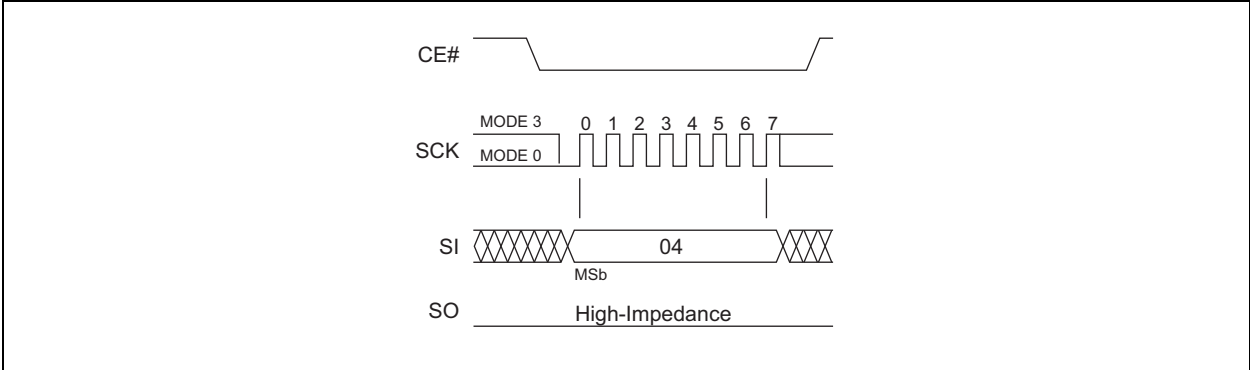


5.11 Write Disable (WRDI)

The Write Disable (WRDI) instruction, 04H, resets the Write Enable Latch bit to '0', thus preventing any new write operations. CE# must be driven low before entering

the WRDI instruction, and CE# must be driven high before executing the WRDI instruction. See Figure 5-11 for the WRDI instruction sequence.

FIGURE 5-11: WRITE DISABLE (WRDI) SEQUENCE



SST25WF080B

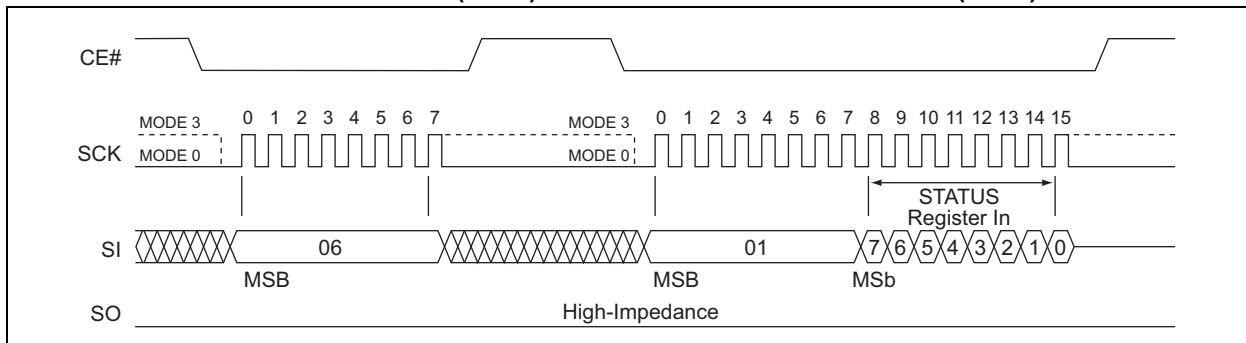
5.12 Write STATUS Register (WRSR)

The Write STATUS Register instruction writes new values to the BP0, BP1, BP2, TB, and BPL bits of the STATUS register. CE# must be driven low before the command sequence of the WRSR instruction is entered and driven high before the WRSR instruction is executed. Poll the BUSY bit in the Software STATUS register, or wait TWRSR, for the completion of the internal self-timed Write STATUS Register cycle. See Figure 5-12 for WREN and WRSR instruction sequences and Figure 6-11 for the WRSR flow chart.

Executing the Write STATUS Register instruction will be ignored when WP# is low and BPL bit is set to '1'. When the WP# is low, the BPL bit can only be set from

'0' to '1' to lock-down the STATUS register, but cannot be reset from '1' to '0'. When WP# is high, the lock-down function of the BPL bit is disabled and the BPL, BP0, BP1, BP2, and TB bits in the STATUS register can all be changed. As long as BPL bit is set to '0' or WP# pin is driven high (VIH) prior to the low-to-high transition of the CE# pin at the end of the WRSR instruction, the bits in the STATUS register can all be altered by the WRSR instruction. In this case, a single WRSR instruction can set the BPL bit to '1' to lock down the STATUS register as well as altering the BP0, BP1, BP2, and TB bits at the same time. See Table 4-1 for a summary description of WP# and BPL functions.

FIGURE 5-12: WRITE ENABLE (WREN) AND WRITE STATUS REGISTER (WRSR) SEQUENCE



5.13 Power-Down

The Deep Power-Down (DPD) instruction puts the device in the lowest power consumption mode – the Deep Power-Down mode. This instruction is ignored if the device is busy with an internal write operation. While the device is in DPD mode, all instructions are ignored except for the Release Deep Power-Down instruction or Read ID.

To initiate deep power-down, input the Deep Power-Down instruction (B9H) while driving CE# low. CE# must be driven high before executing the DPD instruction. After driving CE# high, it requires a delay of TDPD

before the standby current I_{SB} is reduced to the deep power-down current I_{DPD}. See Figure 5-11 for the DPD instruction sequence.

Exit the power-down state using the Release from Deep Power-Down or Read ID instruction. CE# must be driven low before sending the Release from Deep Power-Down command cycle (ABH), and then driving CE# high. The device will return to Standby mode and be ready for the next instruction after T_{SBR}. See Figure 5-14. for the Release from Deep Power-Down sequence.

FIGURE 5-13: DEEP POWER-DOWN SEQUENCE

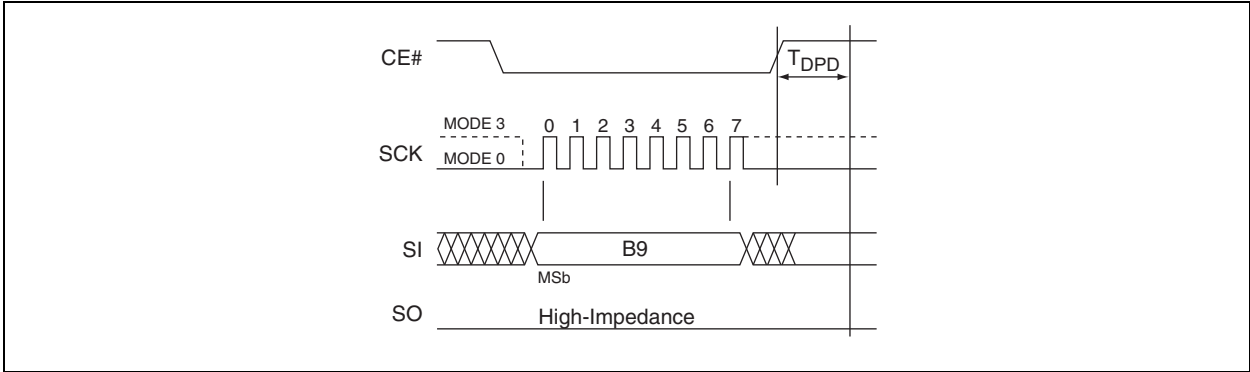
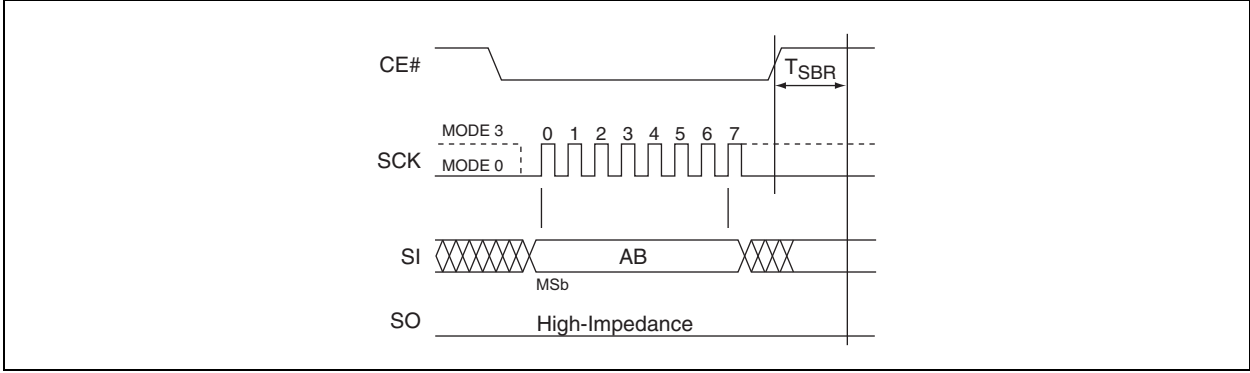


FIGURE 5-14: RELEASE FROM DEEP POWER-DOWN SEQUENCE



SST25WF080B

5.14 Read-ID

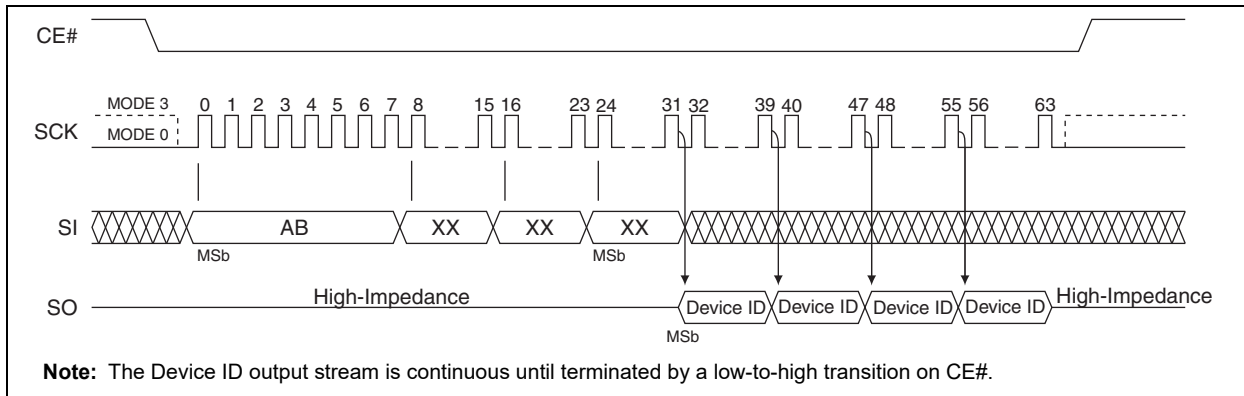
The Read-ID instruction identifies the device as SST25WF080B. Use the Read-ID instruction to identify SST25WF080B when using multiple manufacturers in the same socket. See [Table 5-2](#).

The device ID information is read by executing an 8-bit command, ABH, followed by 24 dummy address bits. Following the Read-ID instruction, and 24 address dummy bits, the device ID continues to output with continuous clock input until terminated by a low-to-high transition on CE#.

TABLE 5-2: PRODUCT IDENTIFICATION

| Device ID | Address | Data |
|----------------|---------|------|
| SST25WF080B ID | XXXXXXH | 86H |

FIGURE 5-15: READ-ID SEQUENCE



5.15 JEDEC Read-ID

The JEDEC Read-ID instruction identifies the device ID information of SST25WF080B. The device information can be read by executing the 8-bit command, 9FH. Following the JEDEC Read-ID instruction, a 32-bit device ID information is output from the device. The Device ID information is assigned by the manufacturer and contains the Device ID 1 in the first byte, the type of mem-

ory in the second byte, the memory capacity of the device in the third byte, and a reserved code in the fourth byte. The 4-byte code outputs repeatedly with continuous clock input until a low-to-high transition on CE#. See [Figure 5-16](#) for the instruction sequence. The JEDEC Read ID instruction is terminated by a low-to-high transition on CE# at any time during data output.

FIGURE 5-16: JEDEC READ-ID SEQUENCE

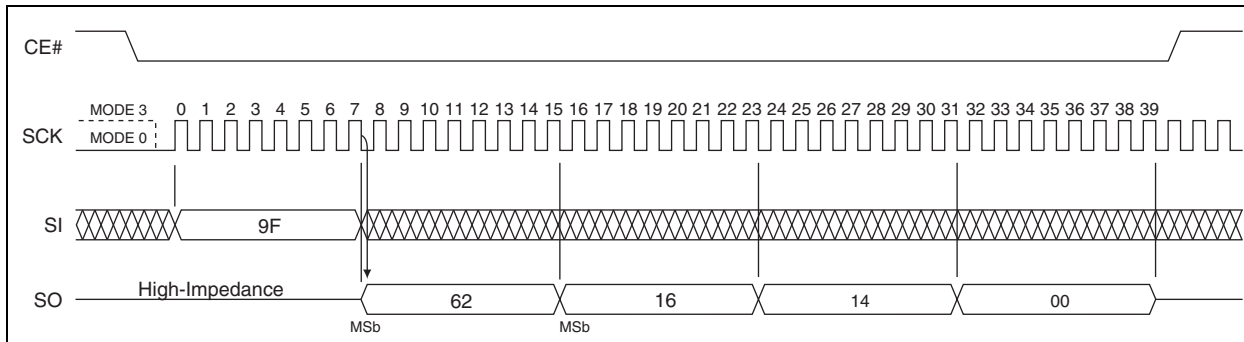


TABLE 5-3: JEDEC READ-ID DATA-OUT

| Product | Device ID | | | |
|-------------|----------------------|----------------------|--------------------------|------------------------|
| | Device ID 1 (Byte 1) | Memory Type (Byte 2) | Memory Capacity (Byte 3) | Reserved Code (Byte 4) |
| SST25WF080B | 62H | 16H | 14H | 00H |

6.0 ELECTRICAL SPECIFICATIONS

Absolute Maximum Ratings (†)

| | |
|---|----------------------|
| Temperature under bias | -55°C to +125°C |
| Storage temperature | -55°C to +150°C |
| DC voltage on any pin to ground potential | -0.5V to VDD+0.5V |
| Transient voltage (<20 ns) on any pin to ground potential | -2.0V to VDD+2.0V |
| Package power dissipation capability (TA = 25°C)..... | 1.0W |
| Surface mount solder reflow temperature | 260°C for 10 seconds |
| Output short circuit current ⁽¹⁾ | 50 mA |

† **NOTICE:** Stresses above those listed under “Absolute Maximum Ratings” may cause permanent damage to the device. This is a stress rating only and functional operation of the device at those or any other conditions above those indicated in the operational listings of this specification is not implied. Exposure to maximum rating conditions for extended periods may affect device reliability.

Note 1: Output shorted for no more than one second. No more than one output shorted at a time.

TABLE 6-1: OPERATING RANGE

| Range | Ambient Temp | V _{DD} |
|------------|-----------------|-----------------|
| Industrial | -40°C to +85°C | 1.65V - 1.95V |
| Extended | -40°C to +125°C | 1.65V - 1.95V |

6.1 Power-Up Specifications

All functionalities and DC specifications are specified for a VDD ramp rate of greater than 1V per 100 ms (0V to 1.8V in less than 180 ms). See [Table 6-3](#) and [Figure 6-1](#) for more information.

TABLE 6-2: AC CONDITIONS OF TEST

| Input Rise/Fall Time | Output Load |
|----------------------|-------------|
| 5 ns | CL = 30 pF |

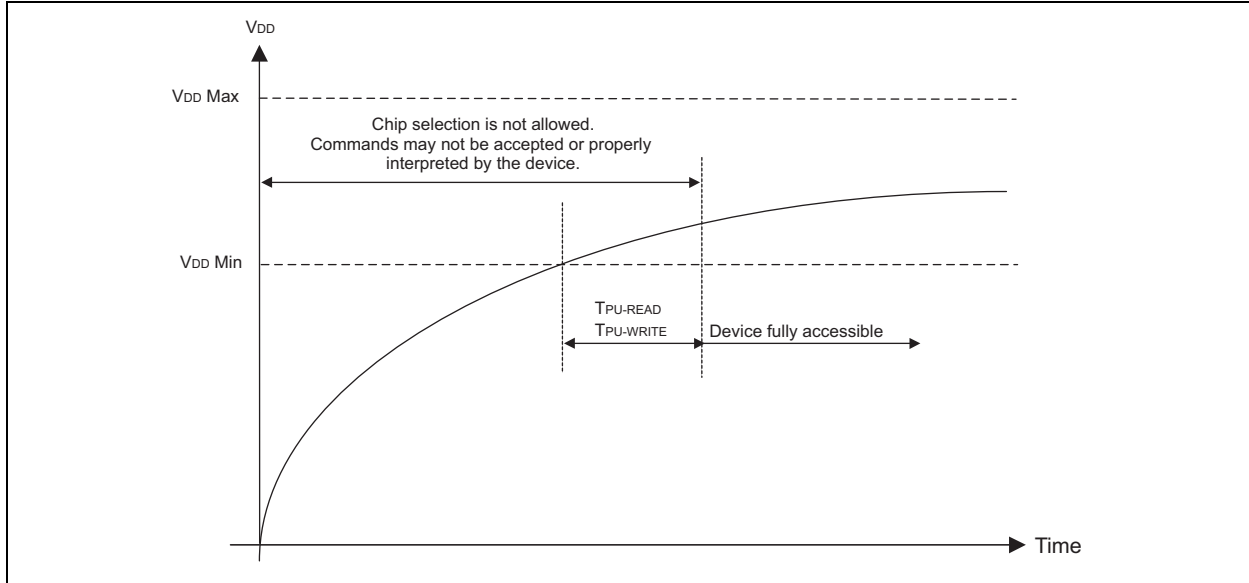
TABLE 6-3: RECOMMENDED SYSTEM POWER-UP TIMINGS

| Symbol | Parameter | Minimum | Units |
|--------------------------|----------------------------|---------|-------|
| TPU-READ | VDD Min to Read Operation | 500 | µs |
| TPU-WRITE ⁽¹⁾ | VDD Min to Write Operation | 500 | µs |

Note 1: This parameter is measured only for initial qualification and after a design or process change that could affect this parameter.

SST25WF080B

FIGURE 6-1: POWER-UP TIMING DIAGRAM



6.2 Hardware Data Protection

SST25WF080B provides a power-up reset function. To ensure that the power reset circuit will operate correctly, the device must meet the conditions shown in [Figure 6-1](#) and [Table 6-4](#). Microchip does not guarantee the data in the event of an instantaneous power failure that occurs during a Write operation.

FIGURE 6-2: POWER-DOWN TIMING DIAGRAM

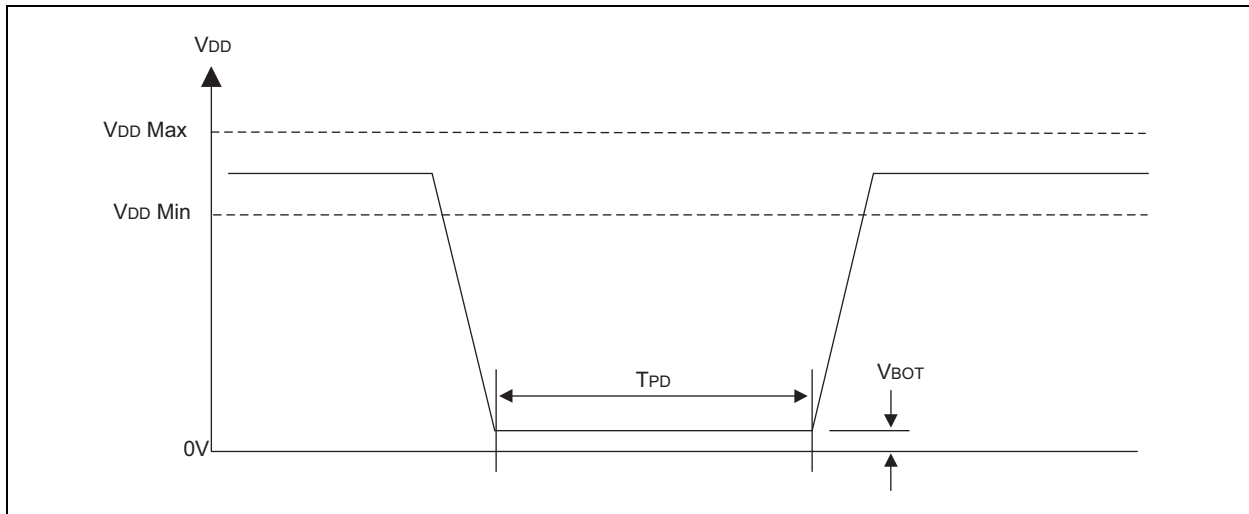


TABLE 6-4: RECOMMENDED SYSTEM POWER-DOWN TIMINGS

| Symbol | Parameter | Min | Max | Units |
|--------|--------------------|-----|-----|-------|
| TPD | Power-down time | 10 | — | ms |
| VBOT | Power-down voltage | — | 0.2 | V |

6.3 Software Data Protection

SST25WF080B prevents unintentional operations by not recognizing commands under the following conditions:

- After inputting a write command, if the rising CE# edge timing is not in a bus cycle (8 CLK units of SCK)
- When the Page Program data is not in 1-byte increments
- If the Write STATUS Register instruction is input for two bus cycles or more.

6.4 Decoupling Capacitor

A 0.1 μF ceramic capacitor must be provided to each device and connected between VDD and VSS to ensure that the device will operate correctly.

SST25WF080B

6.5 DC Characteristics

TABLE 6-5: DC OPERATING CHARACTERISTICS

| Symbol | Parameter | Limits | | | | Test Conditions |
|--------|---------------------------|----------------------|---------------------|----------------------|-------|---|
| | | Min. | Typ. ⁽¹⁾ | Max. | Units | |
| IDDR | Read Current | | | 6 | mA | CE# = 0.1 V _{DD} /0.9 V _{DD} @30 MHz, SO = open; Single I/O |
| IDDR2 | Read Current | | | 8 | mA | CE# = 0.1 V _{DD} /0.9V _{DD} @40 MHz, SO = open |
| IDDR3 | Read Current | | | 10 | mA | CE# = 0.1 V _{DD} /0.9V _{DD} @40 MHz, SO = open; Dual I/O; |
| IDDW | Program and Erase Current | | | 15 | mA | CE# = V _{DD} |
| ISB | Standby Current | Industrial | 7 | 50 | μA | CE# = V _{DD} , V _{IN} = V _{DD} or V _{SS} |
| | | Extended | 7 | 70 | μA | CE# = V _{DD} , V _{IN} = V _{DD} or V _{SS} |
| IDPD | Deep Power-Down | Industrial | 2 | 10 | μA | CE# = V _{DD} , V _{IN} = V _{DD} or V _{SS} |
| | | Extended | 2 | 50 | μA | CE# = V _{DD} , V _{IN} = V _{DD} or V _{SS} |
| ILI | Input Leakage Current | | | 2 | μA | V _{IN} = GND to V _{DD} , V _{DD} = V _{DD} Max |
| ILO | Output Leakage Current | | | 2 | μA | V _{OUT} = GND to V _{DD} , V _{DD} = V _{DD} Max |
| VIL | Input Low Voltage | -0.3 | | 0.3 | V | V _{DD} = V _{DD} Min |
| VIH | Input High Voltage | 0.7 V _{DD} | | V _{DD} +0.3 | V | V _{DD} = V _{DD} Max |
| VOL | Output Low Voltage | | | 0.2 | V | I _{OL} = 100 μA, V _{DD} = V _{DD} Min |
| VOH | Output High Voltage | V _{DD} -0.2 | | | V | I _{OH} = -100 μA, V _{DD} = V _{DD} Min |

Note 1: Value characterized, not fully tested in production.

TABLE 6-6: CAPACITANCE (T_A = 25°C, F = 1 MHz, OTHER PINS OPEN)

| Parameter | Description | Test Condition | Maximum |
|---------------------------------|------------------------|-----------------------|---------|
| C _{OUT} ⁽¹⁾ | Output Pin Capacitance | V _{OUT} = 0V | 12 pF |
| C _{IN} ⁽¹⁾ | Input Capacitance | V _{IN} = 0V | 6 pF |

Note 1: This parameter is measured only for initial qualification and after a design or process change that could affect this parameter.

TABLE 6-7: RELIABILITY CHARACTERISTICS

| Symbol | Parameter | Minimum Specification | Units | Test Method |
|---------------------|-----------------------------|-----------------------|--------|---------------------|
| NEND ⁽¹⁾ | Endurance | 100,000 | Cycles | JEDEC Standard A117 |
| | Status Register Write Cycle | 100,000 | Cycles | JEDEC Standard A117 |
| TDR ⁽¹⁾ | Data Retention | 20 | Years | JEDEC Standard A103 |
| ILTH ⁽¹⁾ | Latch Up | 100 + I _{DD} | mA | JEDEC Standard 78 |

Note 1: This parameter is measured only for initial qualification and after a design or process change that could affect this parameter.

6.6 AC Characteristics

TABLE 6-8: AC OPERATING CHARACTERISTICS

| Symbol | Parameter | Limits - 30 MHz | | | Limits - 40 MHz | | | Units | |
|---------------------------------|--|-----------------|------|-------------------|------------------|------|-------------------|------------------|----|
| | | Min. | Typ. | Max. | Min. | Typ. | Max. | | |
| FCLK ⁽¹⁾ | Serial Clock Frequency | — | — | 30 | — | — | 40 | MHz | |
| T _{SCKH} | Serial Clock High Time | 14 | — | — | 11.5 | — | — | ns | |
| T _{SCKL} | Serial Clock Low Time | 14 | — | — | 11.5 | — | — | ns | |
| T _{SCKR} | Serial Clock Rise Time | — | — | 5 | — | — | 5 | ns | |
| T _{SCKF} | Serial Clock Fall Time | — | — | 5 | — | — | 5 | ns | |
| T _{CEs} ⁽²⁾ | CE# Active Setup Time | 10 | — | — | 10 | — | — | ns | |
| T _{CEH} ⁽²⁾ | CE# Active Hold Time | 10 | — | — | 10 | — | — | ns | |
| T _{CHS} ⁽²⁾ | CE# Not Active Setup Time | 10 | — | — | 10 | — | — | ns | |
| T _{CHH} ⁽²⁾ | CE# Not Active Hold Time | 10 | — | — | 10 | — | — | ns | |
| T _{CPH} | CE# High Time | 25 | — | — | 25 | — | — | ns | |
| T _{CHZ} | CE# High to High-Z Output | — | — | 15 | — | — | 15 | ns | |
| T _{CLZ} | SCK Low to Low-Z Output | 0 | — | — | 0 | — | — | ns | |
| T _{DS} | Data In Setup Time | 5 | — | — | 5 | — | — | ns | |
| T _{DH} | Data In Hold Time | 5 | — | — | 5 | — | — | ns | |
| T _{HLS} | HOLD# Low Setup Time | 5 | — | — | 5 | — | — | ns | |
| T _{HHS} | HOLD# High Setup Time | 5 | — | — | 5 | — | — | ns | |
| T _{HLH} | HOLD# Low Hold Time | 5 | — | — | 5 | — | — | ns | |
| T _{HHH} | HOLD# High Hold Time | 5 | — | — | 5 | — | — | ns | |
| T _{HZ} | HOLD# Low to High-Z Output | — | — | 9 | — | — | 9 | ns | |
| T _{LZ} | HOLD# High to Low-Z Output | — | — | 12 | — | — | 12 | ns | |
| T _{OH} | Output Hold from SCK Change | 1 | — | — | 1 | — | — | ns | |
| T _V | Output Valid from SCK | — | — | 11 | — | — | 11 | ns | |
| T _{WPS} | WP# Setup Time | 20 | — | — | 20 | — | — | ns | |
| T _{WPH} | WP# Hold Time | 20 | — | — | 20 | — | — | ns | |
| T _{WRSR} | STATUS Register Write Time | — | — | 10 | — | — | 10 | ms | |
| T _{DPD} | CE# High to Deep Power-Down | — | — | 5 | — | — | 5 | μs | |
| T _{SBR} | Deep Power-Down (CE# High) to Standby Mode | — | — | 500 | — | — | 500 | μs | |
| T _{SE} | Sector Erase | — | 40 | 150 | — | 40 | 150 | ms | |
| T _{BE} | Block Erase | — | 80 | 250 | — | 80 | 250 | ms | |
| T _{SCE} | Chip Erase | — | 0.5 | 6 | — | 0.5 | 6 | s | |
| TPP | Page Program (256 Bytes) | Industrial | — | 0.8 | 1 | — | 0.8 | 1 | ms |
| | | Extended | — | 0.8 | 1.3 | — | 0.8 | 1.3 | ms |
| | n Byte | Industrial | — | 0.15 + n*0.65/256 | 0.20 + n*0.8/256 | — | 0.15 + n*0.65/256 | 0.20 + n*0.8/256 | ms |
| | | Extended | — | 0.15 + n*0.65/256 | 0.50 + n*0.8/256 | — | 0.15 + n*0.65/256 | 0.50 + n*0.8/256 | ms |

Note 1: Maximum clock frequency for Read instruction, 03H, is 30 MHz.

2: Relative to SCK.

SST25WF080B

FIGURE 6-3: SERIAL INPUT TIMING DIAGRAM

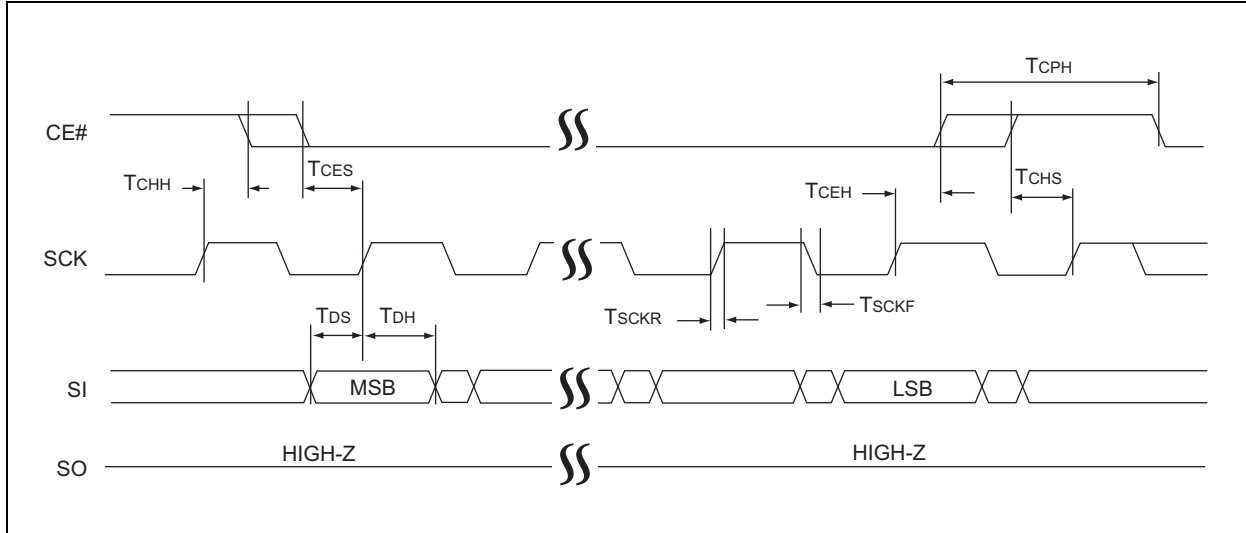


FIGURE 6-4: SERIAL OUTPUT TIMING DIAGRAM

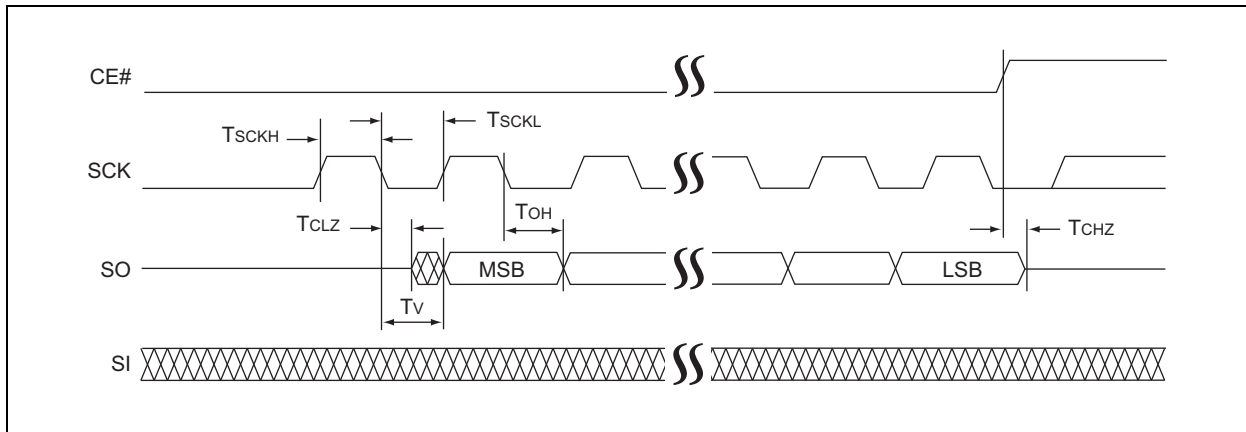


FIGURE 6-5: HOLD TIMING DIAGRAM

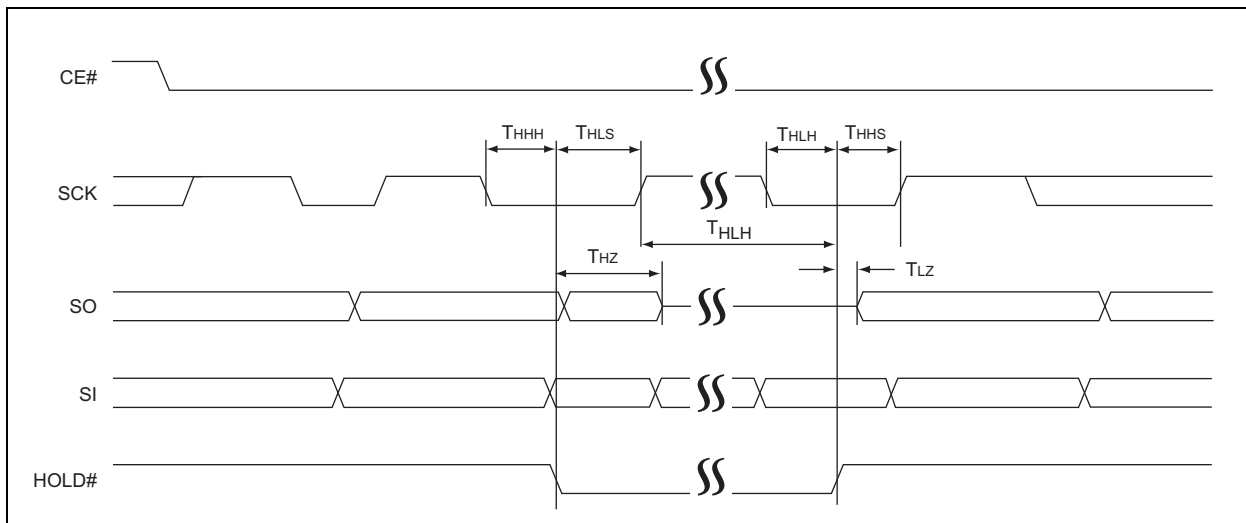


FIGURE 6-6: STATUS REGISTER WRITE TIMING

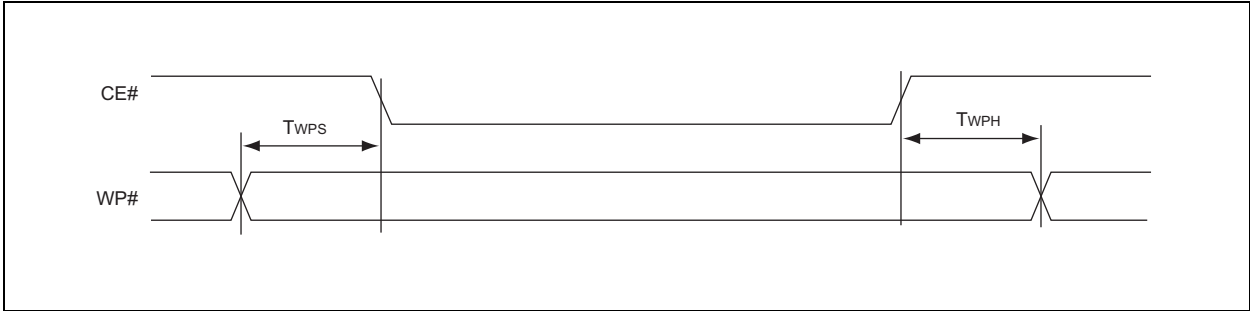
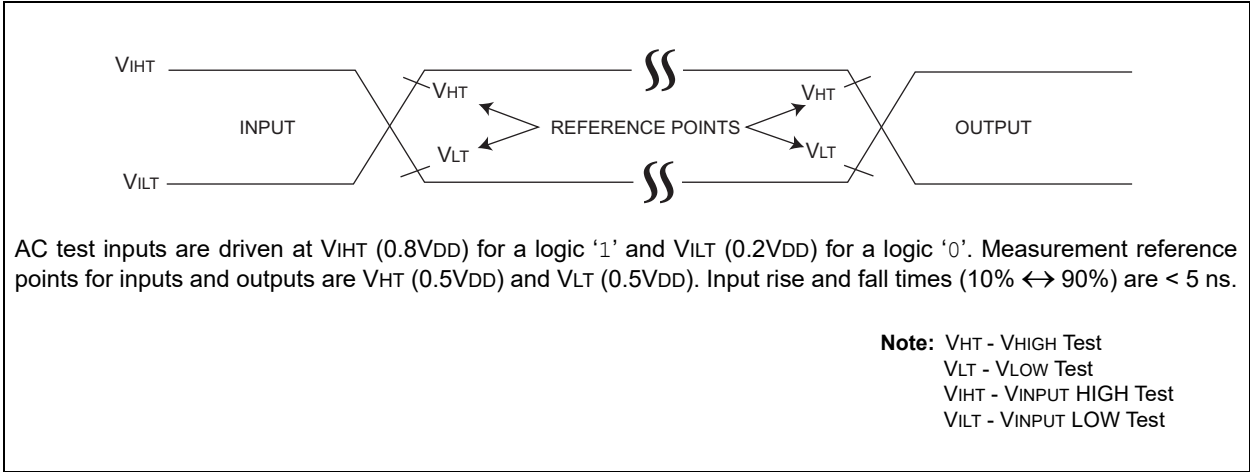


FIGURE 6-7: AC INPUT/OUTPUT REFERENCE WAVEFORMS



SST25WF080B

FIGURE 6-8: PAGE PROGRAM FLOW CHART

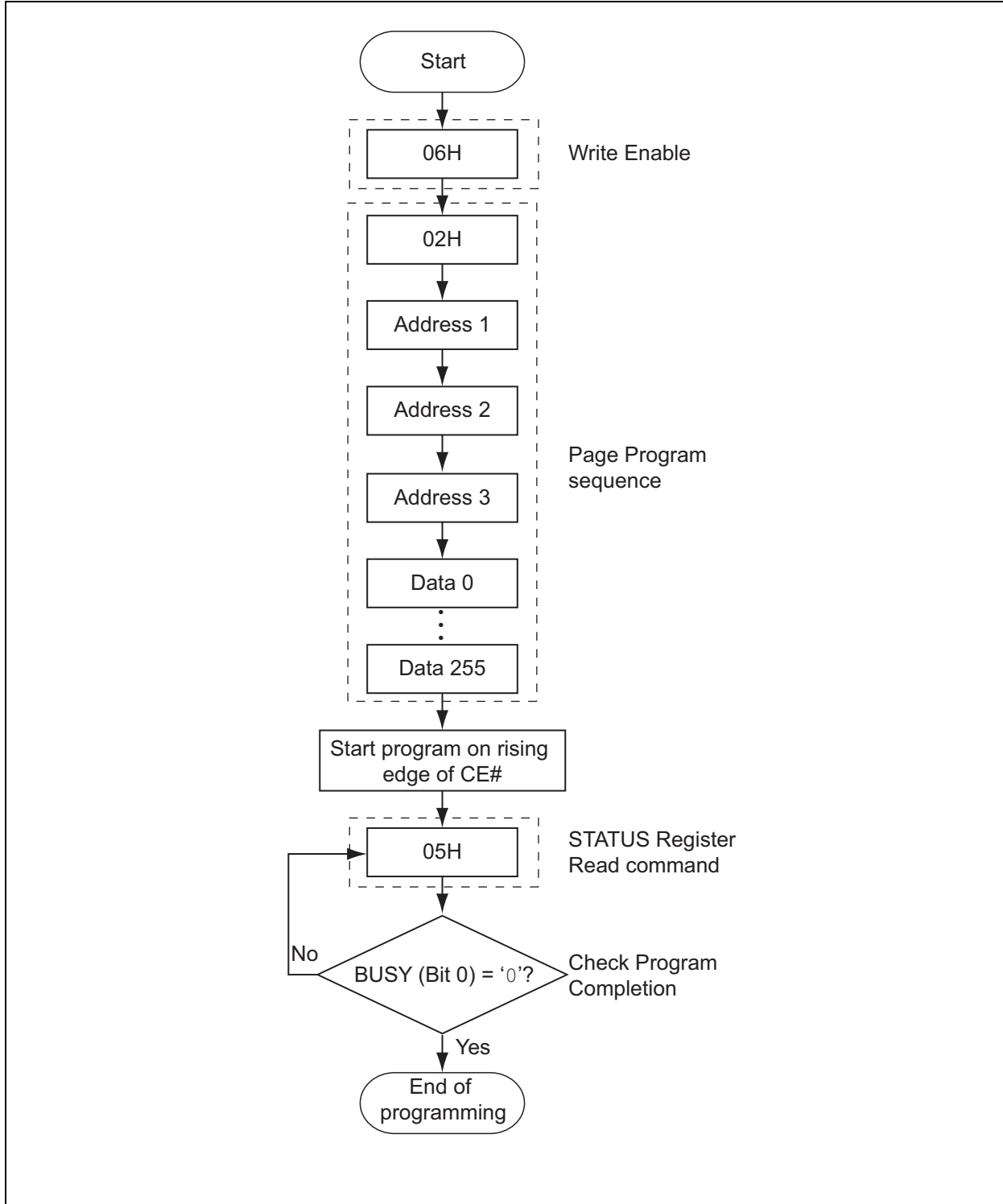
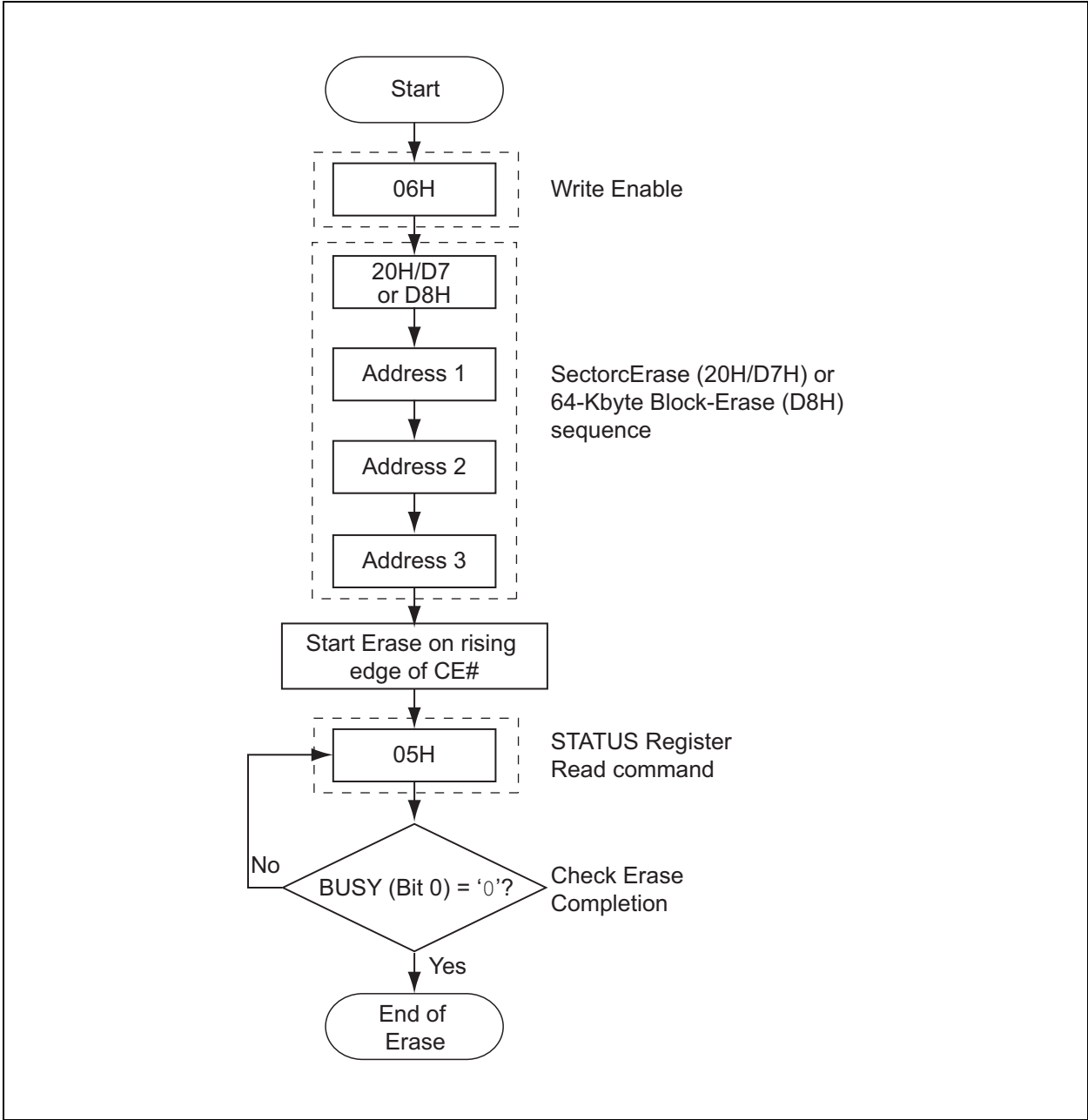


FIGURE 6-9: SECTOR-ERASE OR 64-KBYTE BLOCK-ERASE FLOW CHART



SST25WF080B

FIGURE 6-10: CHIP ERASE FLOW CHART

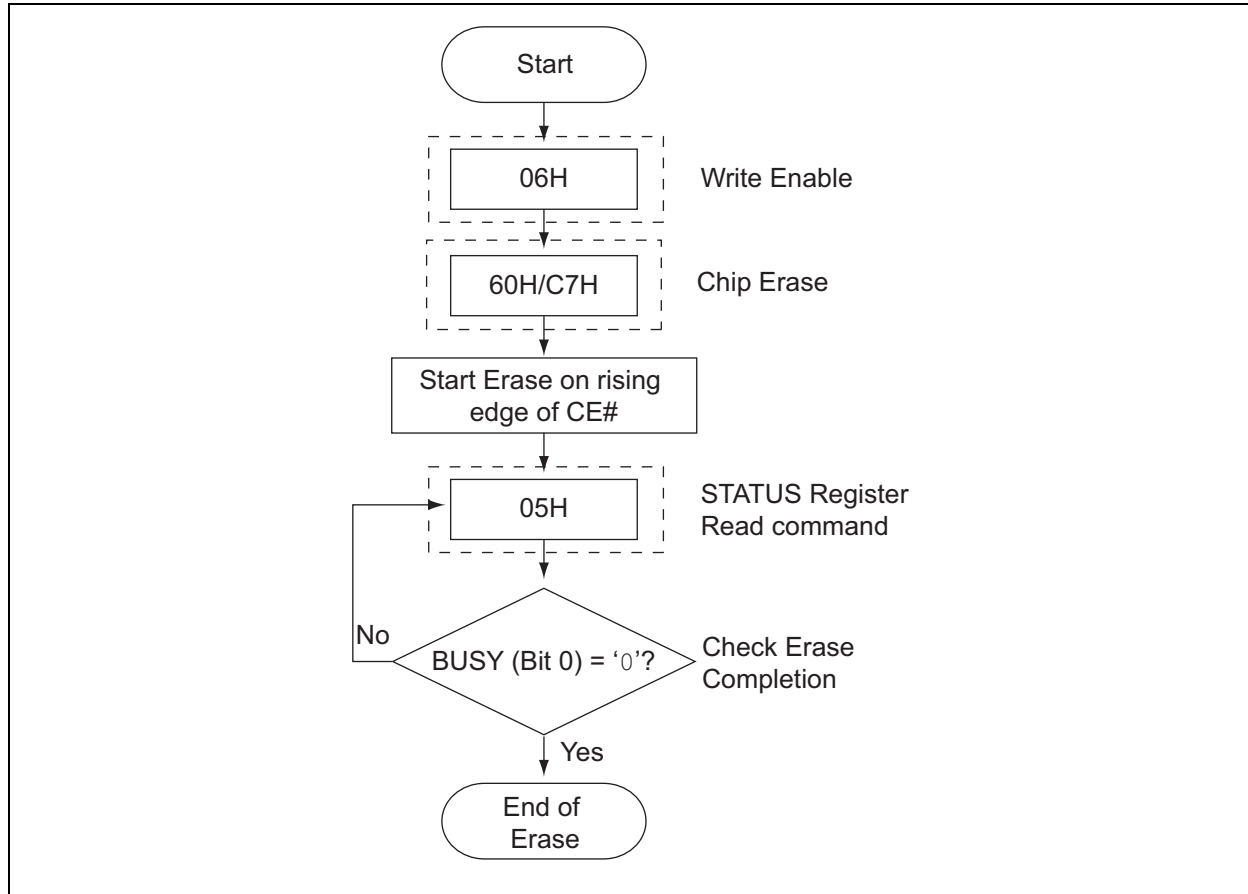
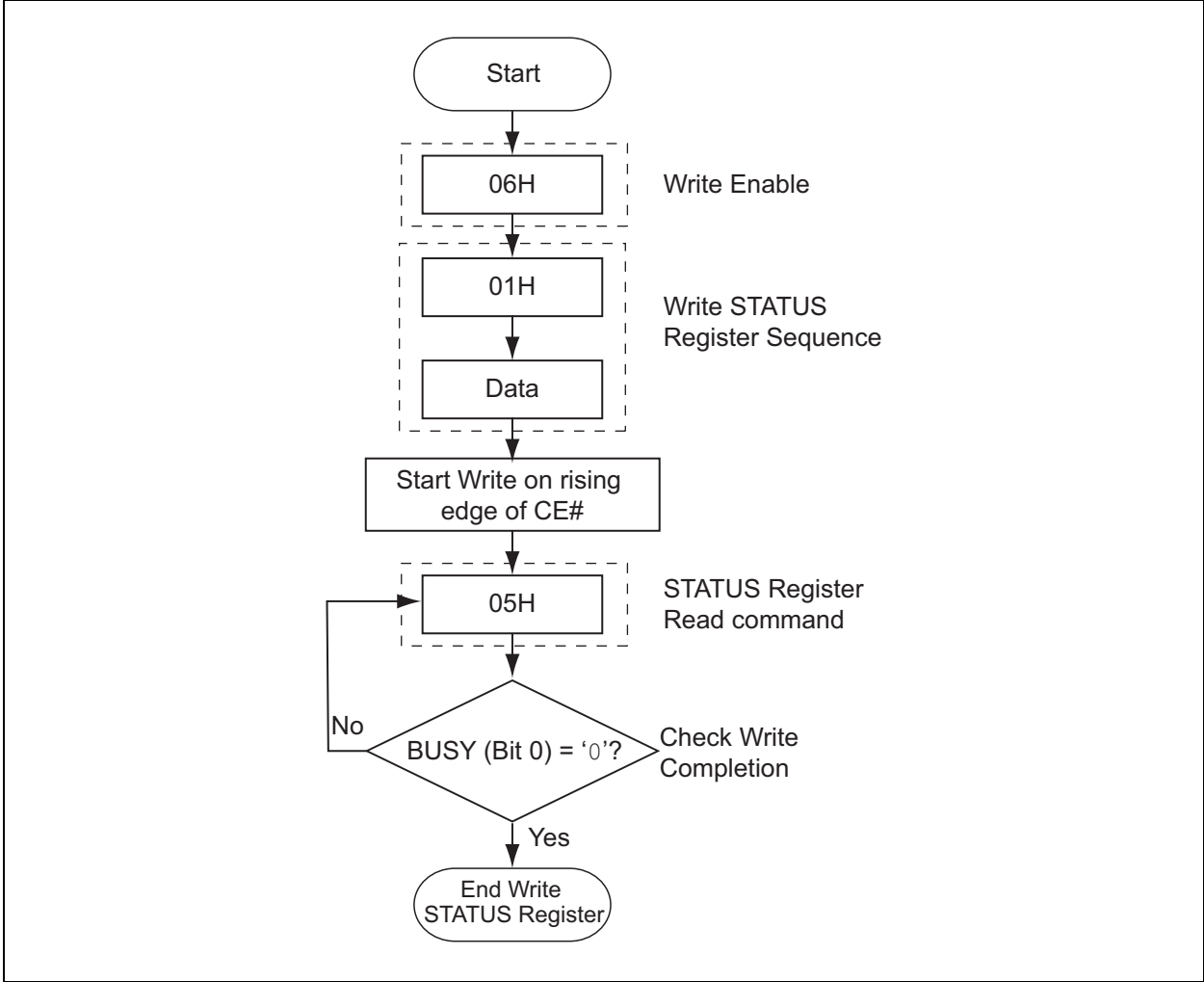


FIGURE 6-11: WRITE STATUS REGISTER (WRSR) FLOW CHART

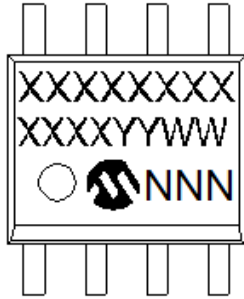


SST25WF080B

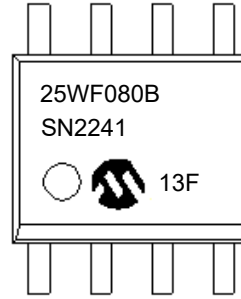
7.0 PACKAGING INFORMATION

7.1 Package Marking Information

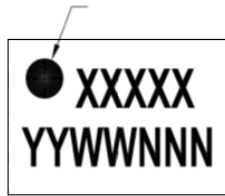
8-Lead SOIC (150 mils)



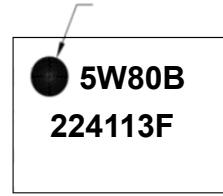
Example



8-Lead USON (2x3 mm)



Example



| Part Number | 1 st Line Marking Codes | |
|-------------|------------------------------------|-------|
| | SOIC | USON |
| SST25WF080B | 25WF080B | 5W80B |

| | | |
|----------------|--------|---|
| Legend: | XX...X | Part number or part number code |
| | Y | Year code (last digit of calendar year) |
| | YY | Year code (last 2 digits of calendar year) |
| | WW | Week code (week of January 1 is week '01') |
| | NNN | Alphanumeric traceability code |
| | (e3) | RoHS-compliant JEDEC [®] designator for Matte Tin (Sn) |

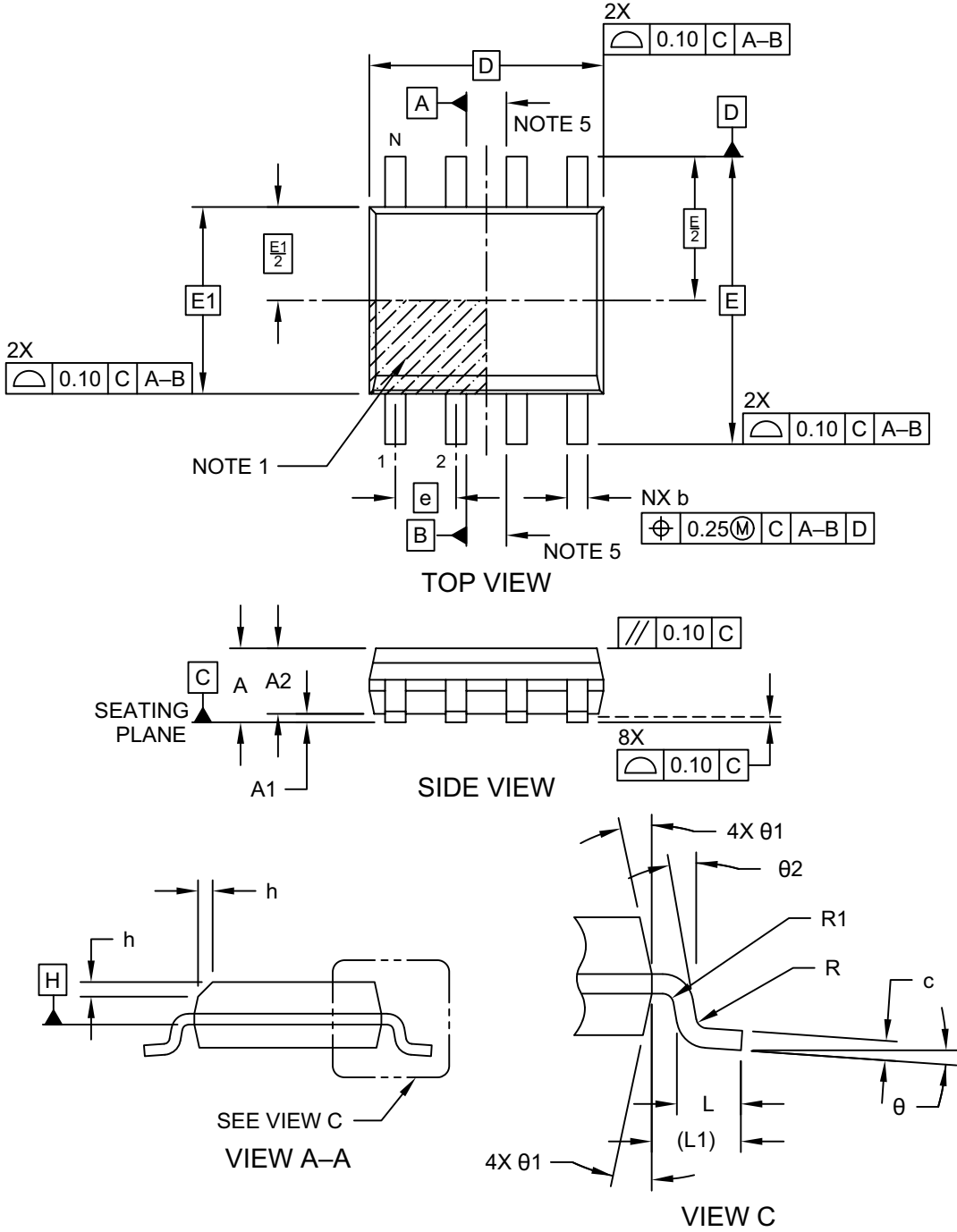
Note: For very small packages with no room for the RoHS-compliant JEDEC[®] designator (e3), the marking will only appear on the outer carton or reel label.

Note: In the event the full Microchip part number cannot be marked on one line, it will be carried over to the next line, thus limiting the number of available characters for customer-specific information.

SST25WF080B

8-Lead Plastic Small Outline (SN) - Narrow, 3.90 mm (.150 In.) Body [SOIC]

Note: For the most current package drawings, please see the Microchip Packaging Specification located at <http://www.microchip.com/packaging>

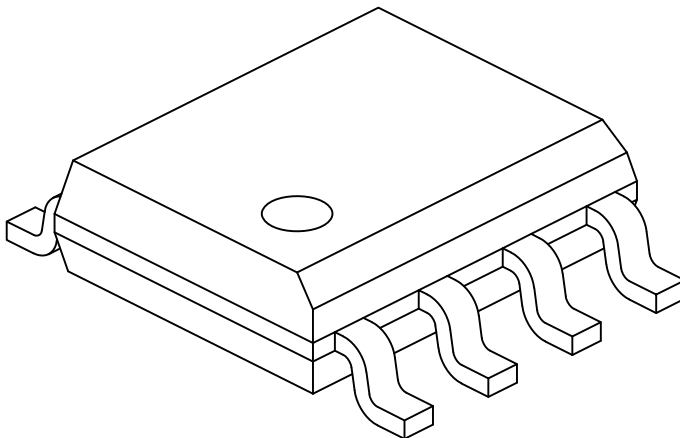


Microchip Technology Drawing No. C04-057-SN Rev K Sheet 1 of 2

SST25WF080B

8-Lead Plastic Small Outline (SN) - Narrow, 3.90 mm (.150 In.) Body [SOIC]

Note: For the most current package drawings, please see the Microchip Packaging Specification located at <http://www.microchip.com/packaging>



| Dimension Limits | Units | MILLIMETERS | | |
|--------------------------|-------|-------------|-----|------|
| | | MIN | NOM | MAX |
| Number of Pins | N | 8 | | |
| Pitch | e | 1.27 BSC | | |
| Overall Height | A | - | - | 1.75 |
| Molded Package Thickness | A2 | 1.25 | - | - |
| Standoff § | A1 | 0.10 | - | 0.25 |
| Overall Width | E | 6.00 BSC | | |
| Molded Package Width | E1 | 3.90 BSC | | |
| Overall Length | D | 4.90 BSC | | |
| Chamfer (Optional) | h | 0.25 | - | 0.50 |
| Foot Length | L | 0.40 | - | 1.27 |
| Footprint | L1 | 1.04 REF | | |
| Lead Thickness | c | 0.17 | - | 0.25 |
| Lead Width | b | 0.31 | - | 0.51 |
| Lead Bend Radius | R | 0.07 | - | - |
| Lead Bend Radius | R1 | 0.07 | - | - |
| Foot Angle | θ | 0° | - | 8° |
| Mold Draft Angle | θ1 | 5° | - | 15° |
| Lead Angle | θ2 | 0° | - | - |

Notes:

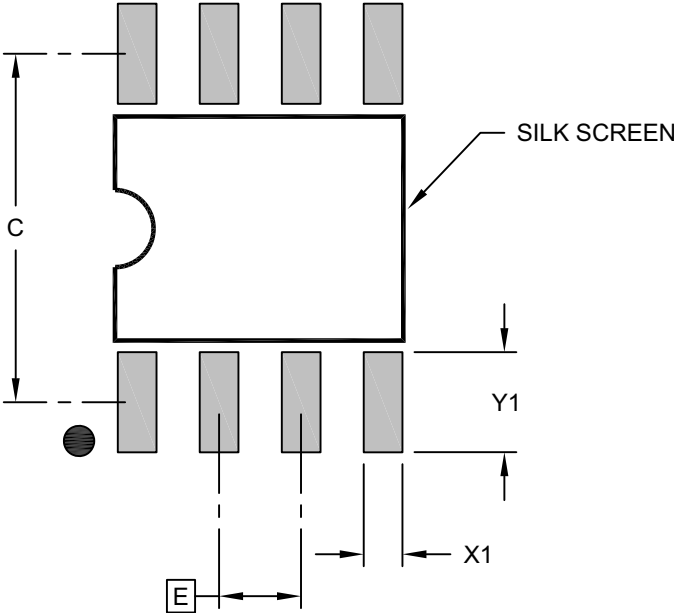
- Pin 1 visual index feature may vary, but must be located within the hatched area.
- § Significant Characteristic
- Dimensions D and E1 do not include mold flash or protrusions. Mold flash or protrusions shall not exceed 0.15mm per side.
- Dimensioning and tolerancing per ASME Y14.5M
BSC: Basic Dimension. Theoretically exact value shown without tolerances.
REF: Reference Dimension, usually without tolerance, for information purposes only.
- Datums A & B to be determined at Datum H.

Microchip Technology Drawing No. C04-057-SN Rev K Sheet 2 of 2

SST25WF080B

8-Lead Plastic Small Outline (SN) - Narrow, 3.90 mm (.150 In.) Body [SOIC]

Note: For the most current package drawings, please see the Microchip Packaging Specification located at <http://www.microchip.com/packaging>



RECOMMENDED LAND PATTERN

| Dimension Limits | Units | MILLIMETERS | | |
|-------------------------|-------|-------------|------|------|
| | | MIN | NOM | MAX |
| Contact Pitch | E | 1.27 BSC | | |
| Contact Pad Spacing | C | | 5.40 | |
| Contact Pad Width (X8) | X1 | | | 0.60 |
| Contact Pad Length (X8) | Y1 | | | 1.55 |

Notes:

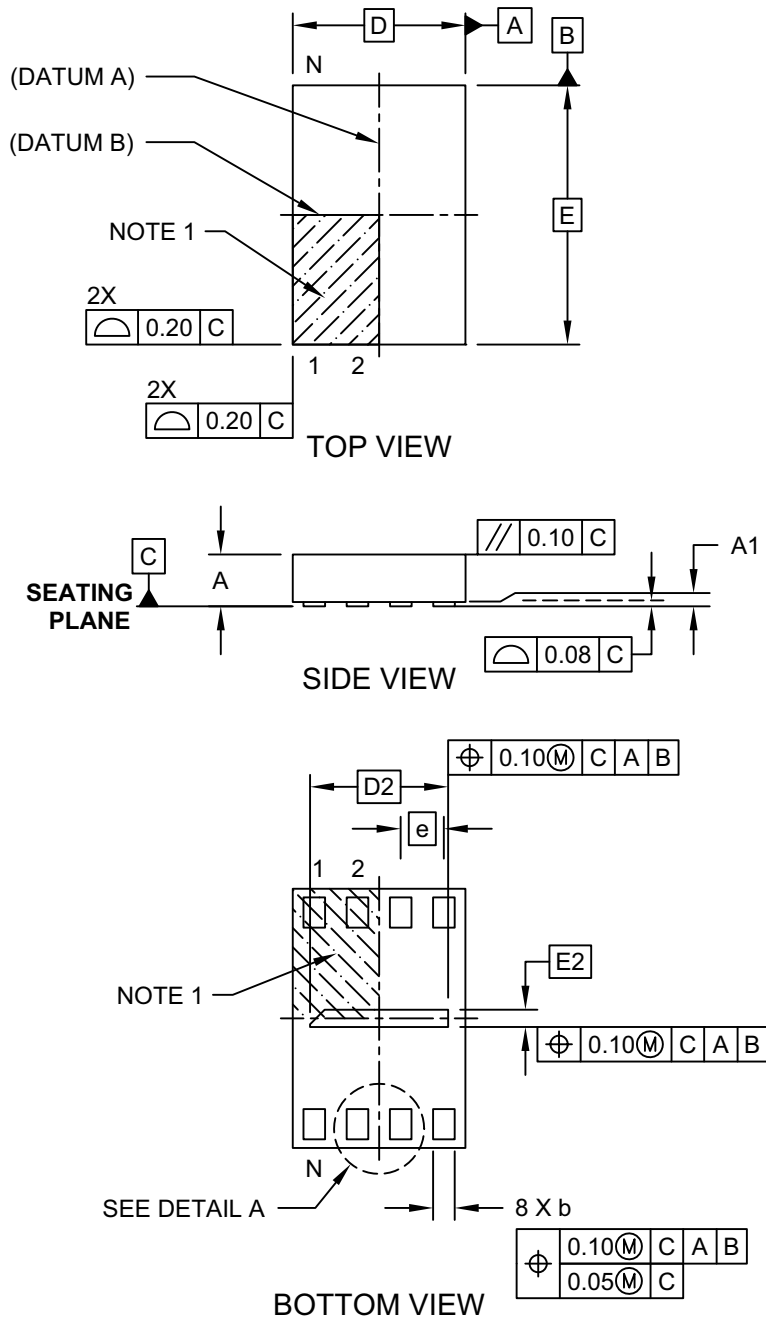
1. Dimensioning and tolerancing per ASME Y14.5M
BSC: Basic Dimension. Theoretically exact value shown without tolerances.

Microchip Technology Drawing C04-2057-SN Rev K

SST25WF080B

8-Lead Plastic Ultra Thin Small Outline No Lead Package (PRX) - 2x3 mm Body [USON] [Also called UDFN]

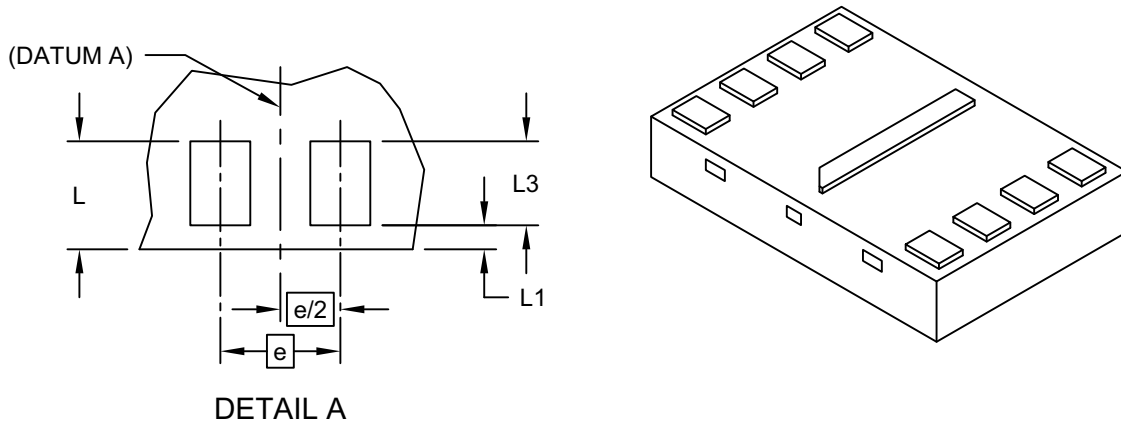
Note: For the most current package drawings, please see the Microchip Packaging Specification located at <http://www.microchip.com/packaging>



Microchip Technology Drawing C04-203C [PRX] Sheet 1 of 2

8-Lead Plastic Ultra Thin Small Outline No Lead Package (PRX) - 2x3 mm Body [USON] [Also called UDFN]

Note: For the most current package drawings, please see the Microchip Packaging Specification located at <http://www.microchip.com/packaging>



| Dimension Limits | Units | MILLIMETERS | | |
|-------------------------------|-------|-------------|------|------|
| | | MIN | NOM | MAX |
| Number of Terminals | N | 8 | | |
| Pitch | e | 0.50 BSC | | |
| Overall Height | A | 0.45 | 0.55 | 0.60 |
| Standoff | A1 | 0.00 | 0.02 | 0.05 |
| Overall Width | D | 2.00 BSC | | |
| Exposed Pad Width | D2 | 1.50 | 1.60 | 1.70 |
| Overall Length | E | 3.00 BSC | | |
| Exposed Pad Length | E2 | 0.10 | 0.20 | 0.30 |
| Terminal Width | b | 0.20 | 0.25 | 0.30 |
| Package Edge to Terminal Edge | L | 0.40 | 0.45 | 0.50 |
| Package Edge to Terminal Edge | L1 | — | 0.10 | — |
| Terminal Length | L3 | 0.30 | 0.35 | 0.40 |

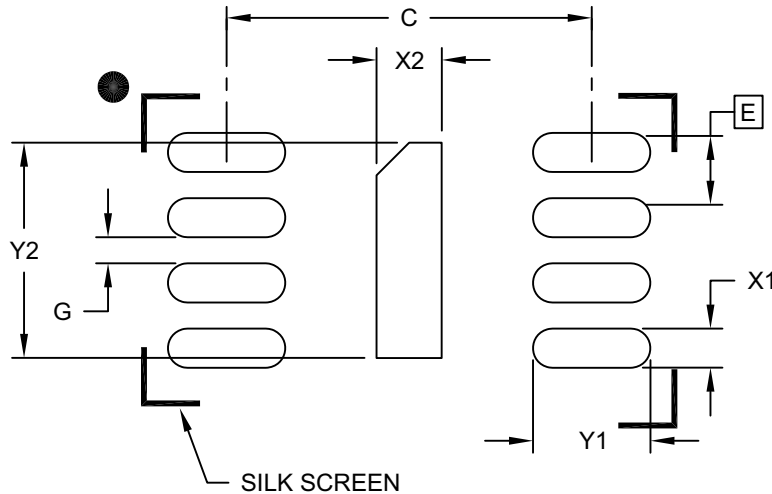
Notes:

- Pin 1 visual index feature may vary, but must be located within the hatched area.
- Package is saw singulated
- Dimensioning and tolerancing per ASME Y14.5M
 - BSC: Basic Dimension. Theoretically exact value shown without tolerances.
 - REF: Reference Dimension, usually without tolerance, for information purposes only.

SST25WF080B

8-Lead Plastic Ultra Thin Small Outline No Lead Package (PRX) - 2x3 mm Body [USON] [Also called UDFN]

Note: For the most current package drawings, please see the Microchip Packaging Specification located at <http://www.microchip.com/packaging>



RECOMMENDED LAND PATTERN

| Dimension Limits | Units | MILLIMETERS | | |
|-------------------------------|-------|-------------|------|------|
| | | MIN | NOM | MAX |
| Terminal Pitch | E | 0.50 BSC | | |
| Optional Center Pad Width | X2 | | | 0.30 |
| Optional Center Pad Length | Y2 | | | 1.70 |
| Terminal Pad Spacing | C | | 2.80 | |
| Terminal Pad Width (X8) | X1 | | | 0.30 |
| Terminal Pad Length (X8) | Y1 | | | 0.90 |
| Minimum Between Terminal Pads | G | 0.20 | | |

Notes:

1. Dimensioning and tolerancing per ASME Y14.5M

BSC: Basic Dimension. Theoretically exact value shown without tolerances.

Microchip Technology Drawing C04-2203B [PRX]

8.0 REVISION HISTORY

Revision H (November 2022)

Updated Non-Automotive Product Identification System.

Revision G (September 2022)

Updated Automotive Product Identification System; Updated SOIC package drawings.

Revision F (July 2022)

Replaced terminology “Master” and “Slave” with “Host” and “Client” respectively; Updated SOIC package drawings; Added Automotive Product Identification System.

Revision E (May 2018)

Added content relating to passing die qualification for Extended temperature. Added AECQ-100 Qualified in “Features” section on page 1.

Revision D (November 2017)

Updated package drawings.

Revision C (January 2014)

Removed “Preliminary” status from the footer.

Revision B (August 2013)

Updated “Product Identification System” on page 41. Changed all occurrences of TCE to TSCE. Updated Figure 6-6 on page 27 and Table 6-8 on page 25.

Revision A (April 2013)

Initial release of the document.

THE MICROCHIP WEBSITE

Microchip provides online support via our website at www.microchip.com. This website is used as a means to make files and information easily available to customers. Accessible by using your favorite Internet browser, the website contains the following information:

- **Product Support** – Data sheets and errata, application notes and sample programs, design resources, user's guides and hardware support documents, latest software releases and archived software
- **General Technical Support** – Frequently Asked Questions (FAQ), technical support requests, online discussion groups, Microchip consultant program member listing
- **Business of Microchip** – Product selector and ordering guides, latest Microchip press releases, listing of seminars and events, listings of Microchip sales offices, distributors and factory representatives

CUSTOMER CHANGE NOTIFICATION SERVICE

Microchip's customer notification service helps keep customers current on Microchip products. Subscribers will receive e-mail notification whenever there are changes, updates, revisions or errata related to a specified product family or development tool of interest.

To register, access the Microchip website at www.microchip.com. Under "Support", click on "Customer Change Notification" and follow the registration instructions.

CUSTOMER SUPPORT

Users of Microchip products can receive assistance through several channels:

- Distributor or Representative
- Local Sales Office
- Field Application Engineer (FAE)
- Technical Support

Customers should contact their distributor, representative or Field Application Engineer (FAE) for support. Local sales offices are also available to help customers. A listing of sales offices and locations is included in the back of this document.

Technical support is available through the website at: <http://microchip.com/support>

SST25WF080B

PRODUCT IDENTIFICATION SYSTEM (NON-AUTOMOTIVE)

To order or obtain information, e.g., on pricing or delivery, refer to the factory or the listed sales office.

| PART NO. | X ⁽¹⁾ | XXX | XX | XX | | | | | | | | | | | | | | | | | | | | | | | | | | | | | | | | | | | |
|---|--|------------------------------------|------------------------|---------|----------------|--|--|--|--|----------------------------|---|--------------------------------|--|--|-----------------------------|----|----------|--|--|---------------------|---|------------------|--|--|--|---|-------------------|--|--|-----------------|----|-------------------------------|--|--|--|----|------------------------------------|--|--|
| Device | Tape/Reel Indicator | Operating Frequency | Endurance/ Temperature | Package | | | | | | | | | | | | | | | | | | | | | | | | | | | | | | | | | | | |
| <table border="1" style="width: 100%; border-collapse: collapse;"> <tr> <td style="width: 15%;">Device:</td> <td colspan="4">SST25WF080B = 8-Mbit, 1.65V-1.95V, Serial Flash Memory</td> </tr> <tr> <td>Tape and Reel Flag:</td> <td>T</td> <td colspan="3">= Tape and Reel⁽¹⁾</td> </tr> <tr> <td>Operating Frequency:</td> <td>40</td> <td colspan="3">= 40 MHz</td> </tr> <tr> <td>Temperature:</td> <td>I</td> <td colspan="3">= -40°C to +85°C</td> </tr> <tr> <td></td> <td>E</td> <td colspan="3">= -40°C to +125°C</td> </tr> <tr> <td>Package:</td> <td>SN</td> <td colspan="3">= SOIC (150 mil Body), 8-lead</td> </tr> <tr> <td></td> <td>NP</td> <td colspan="3">= USON (2mm x 3mm Body), 8-contact</td> </tr> </table> | | | | | Device: | SST25WF080B = 8-Mbit, 1.65V-1.95V, Serial Flash Memory | | | | Tape and Reel Flag: | T | = Tape and Reel ⁽¹⁾ | | | Operating Frequency: | 40 | = 40 MHz | | | Temperature: | I | = -40°C to +85°C | | | | E | = -40°C to +125°C | | | Package: | SN | = SOIC (150 mil Body), 8-lead | | | | NP | = USON (2mm x 3mm Body), 8-contact | | |
| Device: | SST25WF080B = 8-Mbit, 1.65V-1.95V, Serial Flash Memory | | | | | | | | | | | | | | | | | | | | | | | | | | | | | | | | | | | | | | |
| Tape and Reel Flag: | T | = Tape and Reel ⁽¹⁾ | | | | | | | | | | | | | | | | | | | | | | | | | | | | | | | | | | | | | |
| Operating Frequency: | 40 | = 40 MHz | | | | | | | | | | | | | | | | | | | | | | | | | | | | | | | | | | | | | |
| Temperature: | I | = -40°C to +85°C | | | | | | | | | | | | | | | | | | | | | | | | | | | | | | | | | | | | | |
| | E | = -40°C to +125°C | | | | | | | | | | | | | | | | | | | | | | | | | | | | | | | | | | | | | |
| Package: | SN | = SOIC (150 mil Body), 8-lead | | | | | | | | | | | | | | | | | | | | | | | | | | | | | | | | | | | | | |
| | NP | = USON (2mm x 3mm Body), 8-contact | | | | | | | | | | | | | | | | | | | | | | | | | | | | | | | | | | | | | |
| <p>Valid Combinations:</p> <p>SST25WF080BT-40I/NP SST25WF080B-40I/SN SST25WF080BT-40I/SN SST25WF080B-40E/SN SST25WF080BT-40E/SN SST25WF080BT-40E/NP</p> | | | | | | | | | | | | | | | | | | | | | | | | | | | | | | | | | | | | | | | |
| <p>Note 1: Tape and Reel identifier only appears in the catalog part number description. This identifier is used for ordering purposes and is not printed on the device package. Check with your Microchip Sales Office for package availability with the Tape and Reel option.</p> | | | | | | | | | | | | | | | | | | | | | | | | | | | | | | | | | | | | | | | |

SST25WF080B

PRODUCT IDENTIFICATION SYSTEM (AUTOMOTIVE)

To order or obtain information, e.g., on pricing or delivery, refer to the factory or the listed sales office.

| PART NO. | X ⁽¹⁾ | XXX | XX | XX | XXX ^(2,3) | Valid Combinations: | | | | | | | | | | | | | | | | | | | | | | | | | | | | | | | | | | | | | | | | | | | | | | | | | | | | | | | |
|--|--|--------------------------------------|------------------------|---------|----------------------|---|----------------|--|--|--|--|--|----------------------------|---|--------------------------------|--|--|--|--|-----------------------------|----|----------|--|--|--|--|---------------------|---|--------------------------------------|--|--|--|--|-----------------|----|-------------------------------|--|--|--|--|--|----|------------------------------------|--|--|--|--|---------------------------------|--------|-----------------------|--|--|--|--|--|--------|--------------------------------|--|--|--|--|
| Device | Tape/Reel Indicator | Operating Frequency | Endurance/ Temperature | Package | Variant | | | | | | | | | | | | | | | | | | | | | | | | | | | | | | | | | | | | | | | | | | | | | | | | | | | | | | | | |
| <table border="1"> <tr> <td>Device:</td> <td colspan="5">SST25WF080B = 8-Mbit, 1.65V-1.95V, Serial Flash Memory</td> </tr> <tr> <td>Tape and Reel Flag:</td> <td>T</td> <td colspan="5">= Tape and Reel⁽¹⁾</td> </tr> <tr> <td>Operating Frequency:</td> <td>40</td> <td colspan="5">= 40 MHz</td> </tr> <tr> <td>Temperature:</td> <td>E</td> <td colspan="5">= -40°C to +125°C (AEC-Q100 Grade 1)</td> </tr> <tr> <td>Package:</td> <td>SN</td> <td colspan="5">= SOIC (150 mil Body), 8-lead</td> </tr> <tr> <td></td> <td>NP</td> <td colspan="5">= USON (2mm x 3mm Body), 8-contact</td> </tr> <tr> <td>Variant^(2,3):</td> <td>13GVAO</td> <td colspan="5">= Standard Automotive</td> </tr> <tr> <td></td> <td>13GVXX</td> <td colspan="5">= Customer Specific Automotive</td> </tr> </table> | | | | | | | Device: | SST25WF080B = 8-Mbit, 1.65V-1.95V, Serial Flash Memory | | | | | Tape and Reel Flag: | T | = Tape and Reel ⁽¹⁾ | | | | | Operating Frequency: | 40 | = 40 MHz | | | | | Temperature: | E | = -40°C to +125°C (AEC-Q100 Grade 1) | | | | | Package: | SN | = SOIC (150 mil Body), 8-lead | | | | | | NP | = USON (2mm x 3mm Body), 8-contact | | | | | Variant^(2,3): | 13GVAO | = Standard Automotive | | | | | | 13GVXX | = Customer Specific Automotive | | | | |
| Device: | SST25WF080B = 8-Mbit, 1.65V-1.95V, Serial Flash Memory | | | | | | | | | | | | | | | | | | | | | | | | | | | | | | | | | | | | | | | | | | | | | | | | | | | | | | | | | | | | |
| Tape and Reel Flag: | T | = Tape and Reel ⁽¹⁾ | | | | | | | | | | | | | | | | | | | | | | | | | | | | | | | | | | | | | | | | | | | | | | | | | | | | | | | | | | | |
| Operating Frequency: | 40 | = 40 MHz | | | | | | | | | | | | | | | | | | | | | | | | | | | | | | | | | | | | | | | | | | | | | | | | | | | | | | | | | | | |
| Temperature: | E | = -40°C to +125°C (AEC-Q100 Grade 1) | | | | | | | | | | | | | | | | | | | | | | | | | | | | | | | | | | | | | | | | | | | | | | | | | | | | | | | | | | | |
| Package: | SN | = SOIC (150 mil Body), 8-lead | | | | | | | | | | | | | | | | | | | | | | | | | | | | | | | | | | | | | | | | | | | | | | | | | | | | | | | | | | | |
| | NP | = USON (2mm x 3mm Body), 8-contact | | | | | | | | | | | | | | | | | | | | | | | | | | | | | | | | | | | | | | | | | | | | | | | | | | | | | | | | | | | |
| Variant^(2,3): | 13GVAO | = Standard Automotive | | | | | | | | | | | | | | | | | | | | | | | | | | | | | | | | | | | | | | | | | | | | | | | | | | | | | | | | | | | |
| | 13GVXX | = Customer Specific Automotive | | | | | | | | | | | | | | | | | | | | | | | | | | | | | | | | | | | | | | | | | | | | | | | | | | | | | | | | | | | |
| | | | | | | <p>SST25WF080B-40E/SN13GVAO SST25WF080BT-40E/SN13GVAO SST25WF080BT-40E/NP13GVAO</p> <p>Note 1: Tape and Reel identifier only appears in the catalog part number description. This identifier is used for ordering purposes and is not printed on the device package. Check with your Microchip Sales Office for package availability with the Tape and Reel option.</p> <p>2: The VAO/VXX automotive variants have been designed, manufactured, tested and qualified in accordance with AEC-Q100 requirements for automotive applications.</p> <p>3: For customers requesting a PPAP, a customer-specific part number will be generated and provided. A PPAP is not provided for VAO part numbers.</p> | | | | | | | | | | | | | | | | | | | | | | | | | | | | | | | | | | | | | | | | | | | | | | | | | | | | | | | |

Note the following details of the code protection feature on Microchip products:

- Microchip products meet the specifications contained in their particular Microchip Data Sheet.
- Microchip believes that its family of products is secure when used in the intended manner, within operating specifications, and under normal conditions.
- Microchip values and aggressively protects its intellectual property rights. Attempts to breach the code protection features of Microchip product is strictly prohibited and may violate the Digital Millennium Copyright Act.
- Neither Microchip nor any other semiconductor manufacturer can guarantee the security of its code. Code protection does not mean that we are guaranteeing the product is "unbreakable" Code protection is constantly evolving. Microchip is committed to continuously improving the code protection features of our products.

This publication and the information herein may be used only with Microchip products, including to design, test, and integrate Microchip products with your application. Use of this information in any other manner violates these terms. Information regarding device applications is provided only for your convenience and may be superseded by updates. It is your responsibility to ensure that your application meets with your specifications. Contact your local Microchip sales office for additional support or, obtain additional support at <https://www.microchip.com/en-us/support/design-help/client-support-services>.

THIS INFORMATION IS PROVIDED BY MICROCHIP "AS IS". MICROCHIP MAKES NO REPRESENTATIONS OR WARRANTIES OF ANY KIND WHETHER EXPRESS OR IMPLIED, WRITTEN OR ORAL, STATUTORY OR OTHERWISE, RELATED TO THE INFORMATION INCLUDING BUT NOT LIMITED TO ANY IMPLIED WARRANTIES OF NON-INFRINGEMENT, MERCHANTABILITY, AND FITNESS FOR A PARTICULAR PURPOSE, OR WARRANTIES RELATED TO ITS CONDITION, QUALITY, OR PERFORMANCE.

IN NO EVENT WILL MICROCHIP BE LIABLE FOR ANY INDIRECT, SPECIAL, PUNITIVE, INCIDENTAL, OR CONSEQUENTIAL LOSS, DAMAGE, COST, OR EXPENSE OF ANY KIND WHATSOEVER RELATED TO THE INFORMATION OR ITS USE, HOWEVER CAUSED, EVEN IF MICROCHIP HAS BEEN ADVISED OF THE POSSIBILITY OR THE DAMAGES ARE FORESEEABLE. TO THE FULLEST EXTENT ALLOWED BY LAW, MICROCHIP'S TOTAL LIABILITY ON ALL CLAIMS IN ANY WAY RELATED TO THE INFORMATION OR ITS USE WILL NOT EXCEED THE AMOUNT OF FEES, IF ANY, THAT YOU HAVE PAID DIRECTLY TO MICROCHIP FOR THE INFORMATION.

Use of Microchip devices in life support and/or safety applications is entirely at the buyer's risk, and the buyer agrees to defend, indemnify and hold harmless Microchip from any and all damages, claims, suits, or expenses resulting from such use. No licenses are conveyed, implicitly or otherwise, under any Microchip intellectual property rights unless otherwise stated.

For information regarding Microchip's Quality Management Systems, please visit www.microchip.com/quality.

Trademarks

The Microchip name and logo, the Microchip logo, Adaptec, AVR, AVR logo, AVR Freaks, BesTime, BitCloud, CryptoMemory, CryptoRF, dsPIC, flexPWR, HELDO, IGLOO, JukeBlox, KeeLoq, Klear, LANCheck, LinkMD, maXStylus, maXTouch, MediaLB, megaAVR, Microsemi, Microsemi logo, MOST, MOST logo, MPLAB, OptoLyzer, PIC, picoPower, PICSTART, PIC32 logo, PolarFire, Prochip Designer, QTouch, SAM-BA, SenGenuity, SpyNIC, SST, SST Logo, SuperFlash, Symmetricom, SyncServer, Tachyon, TimeSource, tinyAVR, UNI/O, Vectron, and XMEGA are registered trademarks of Microchip Technology Incorporated in the U.S.A. and other countries.

AgileSwitch, APT, ClockWorks, The Embedded Control Solutions Company, EtherSynch, Flashtec, Hyper Speed Control, HyperLight Load, Libero, motorBench, mTouch, Powermite 3, Precision Edge, ProASIC, ProASIC Plus, ProASIC Plus logo, Quiet-Wire, SmartFusion, SyncWorld, Temux, TimeCesium, TimeHub, TimePictra, TimeProvider, TrueTime, and ZL are registered trademarks of Microchip Technology Incorporated in the U.S.A.

Adjacent Key Suppression, AKS, Analog-for-the-Digital Age, Any Capacitor, AnyIn, AnyOut, Augmented Switching, BlueSky, BodyCom, Clockstudio, CodeGuard, CryptoAuthentication, CryptoAutomotive, CryptoCompanion, CryptoController, dsPICDEM, dsPICDEM.net, Dynamic Average Matching, DAM, ECAN, Espresso T1S, EtherGREEN, GridTime, IdealBridge, In-Circuit Serial Programming, ICSP, INICnet, Intelligent Paralleling, IntelliMOS, Inter-Chip Connectivity, JitterBlocker, Knob-on-Display, KoD, maxCrypto, maxView, memBrain, Mindi, MiWi, MPASM, MPF, MPLAB Certified logo, MPLIB, MPLINK, MultiTRAK, NetDetach, Omniscient Code Generation, PICDEM, PICDEM.net, PICkit, PICtail, PowerSmart, PureSilicon, QMatrix, REAL ICE, Ripple Blocker, RTAX, RTG4, SAM-ICE, Serial Quad I/O, simpleMAP, SimpliPHY, SmartBuffer, SmartHLS, SMART-I.S., storClad, SQI, SuperSwitcher, SuperSwitcher II, Switchtec, SynchroPHY, Total Endurance, Trusted Time, TSHARC, USBCheck, VariSense, VectorBlox, VeriPHY, ViewSpan, WiperLock, XpressConnect, and ZENA are trademarks of Microchip Technology Incorporated in the U.S.A. and other countries.

SQTP is a service mark of Microchip Technology Incorporated in the U.S.A.

The Adaptec logo, Frequency on Demand, Silicon Storage Technology, and Symmcom are registered trademarks of Microchip Technology Inc. in other countries.

GestIC is a registered trademark of Microchip Technology Germany II GmbH & Co. KG, a subsidiary of Microchip Technology Inc., in other countries.

All other trademarks mentioned herein are property of their respective companies.

© 2013-2022, Microchip Technology Incorporated and its subsidiaries.

All Rights Reserved.

ISBN: 978-1-6683-1420-3



MICROCHIP

Worldwide Sales and Service

AMERICAS

Corporate Office
2355 West Chandler Blvd.
Chandler, AZ 85224-6199
Tel: 480-792-7200
Fax: 480-792-7277
Technical Support:
<http://www.microchip.com/support>
Web Address:
www.microchip.com

Atlanta

Duluth, GA
Tel: 678-957-9614
Fax: 678-957-1455

Austin, TX

Tel: 512-257-3370

Boston

Westborough, MA
Tel: 774-760-0087
Fax: 774-760-0088

Chicago

Itasca, IL
Tel: 630-285-0071
Fax: 630-285-0075

Dallas

Addison, TX
Tel: 972-818-7423
Fax: 972-818-2924

Detroit

Novi, MI
Tel: 248-848-4000

Houston, TX

Tel: 281-894-5983

Indianapolis

Noblesville, IN
Tel: 317-773-8323
Fax: 317-773-5453
Tel: 317-536-2380

Los Angeles

Mission Viejo, CA
Tel: 949-462-9523
Fax: 949-462-9608
Tel: 951-273-7800

Raleigh, NC

Tel: 919-844-7510

New York, NY

Tel: 631-435-6000

San Jose, CA

Tel: 408-735-9110
Tel: 408-436-4270

Canada - Toronto

Tel: 905-695-1980
Fax: 905-695-2078

ASIA/PACIFIC

Australia - Sydney
Tel: 61-2-9868-6733

China - Beijing
Tel: 86-10-8569-7000

China - Chengdu
Tel: 86-28-8665-5511

China - Chongqing
Tel: 86-23-8980-9588

China - Dongguan
Tel: 86-769-8702-9880

China - Guangzhou
Tel: 86-20-8755-8029

China - Hangzhou
Tel: 86-571-8792-8115

China - Hong Kong SAR
Tel: 852-2943-5100

China - Nanjing
Tel: 86-25-8473-2460

China - Qingdao
Tel: 86-532-8502-7355

China - Shanghai
Tel: 86-21-3326-8000

China - Shenyang
Tel: 86-24-2334-2829

China - Shenzhen
Tel: 86-755-8864-2200

China - Suzhou
Tel: 86-186-6233-1526

China - Wuhan
Tel: 86-27-5980-5300

China - Xian
Tel: 86-29-8833-7252

China - Xiamen
Tel: 86-592-2388138

China - Zhuhai
Tel: 86-756-3210040

ASIA/PACIFIC

India - Bangalore
Tel: 91-80-3090-4444

India - New Delhi
Tel: 91-11-4160-8631

India - Pune
Tel: 91-20-4121-0141

Japan - Osaka
Tel: 81-6-6152-7160

Japan - Tokyo
Tel: 81-3-6880-3770

Korea - Daegu
Tel: 82-53-744-4301

Korea - Seoul
Tel: 82-2-554-7200

Malaysia - Kuala Lumpur
Tel: 60-3-7651-7906

Malaysia - Penang
Tel: 60-4-227-8870

Philippines - Manila
Tel: 63-2-634-9065

Singapore
Tel: 65-6334-8870

Taiwan - Hsin Chu
Tel: 886-3-577-8366

Taiwan - Kaohsiung
Tel: 886-7-213-7830

Taiwan - Taipei
Tel: 886-2-2508-8600

Thailand - Bangkok
Tel: 66-2-694-1351

Vietnam - Ho Chi Minh
Tel: 84-28-5448-2100

EUROPE

Austria - Wels
Tel: 43-7242-2244-39
Fax: 43-7242-2244-393

Denmark - Copenhagen
Tel: 45-4485-5910
Fax: 45-4485-2829

Finland - Espoo
Tel: 358-9-4520-820

France - Paris
Tel: 33-1-69-53-63-20
Fax: 33-1-69-30-90-79

Germany - Garching
Tel: 49-8931-9700

Germany - Haan
Tel: 49-2129-3766400

Germany - Heilbronn
Tel: 49-7131-72400

Germany - Karlsruhe
Tel: 49-721-625370

Germany - Munich
Tel: 49-89-627-144-0
Fax: 49-89-627-144-44

Germany - Rosenheim
Tel: 49-8031-354-560

Israel - Ra'anana
Tel: 972-9-744-7705

Italy - Milan
Tel: 39-0331-742611
Fax: 39-0331-466781

Italy - Padova
Tel: 39-049-7625286

Netherlands - Drunen
Tel: 31-416-690399
Fax: 31-416-690340

Norway - Trondheim
Tel: 47-7288-4388

Poland - Warsaw
Tel: 48-22-3325737

Romania - Bucharest
Tel: 40-21-407-87-50

Spain - Madrid
Tel: 34-91-708-08-90
Fax: 34-91-708-08-91

Sweden - Gothenberg
Tel: 46-31-704-60-40

Sweden - Stockholm
Tel: 46-8-5090-4654

UK - Wokingham
Tel: 44-118-921-5800
Fax: 44-118-921-5820

SYST-17MXYV945 - Data Sheet - SST25WF080B 8-Mbit 1.8V SPI Serial Flash Data Sheet

Affected Catalog Part Numbers(CPN)

SST25WF080B-40E/SN

SST25WF080B-40E/SN13GVAO

SST25WF080B-40I/SN

SST25WF080BT-40I/SN

SST25WF080BT-40I/NP

SST25WF080BT-40E/SN

SST25WF080BT-40E/SN13GVAO

SST25WF080BT-40E/NP

SST25WF080BT-40E/NP13GVAO