

October 28, 2022

PCN

Change of electrode design for A8, N8 and P8 series of surge arresters

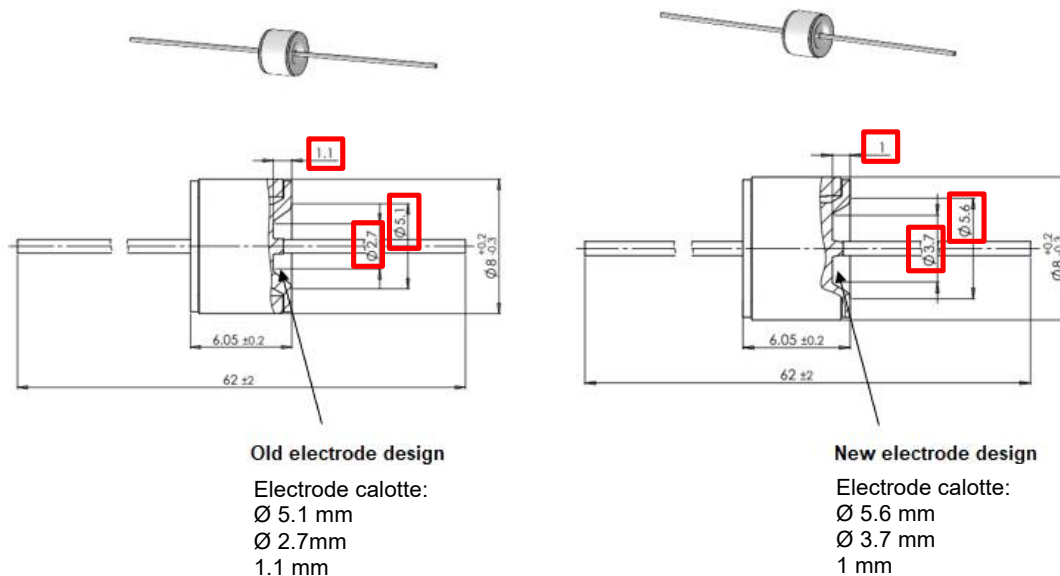
The electrode design of the EPCOS surge arrester series A8, N8 and P8 produced in our plant in Xiaogan/China will be slightly changed. The dimensions of the components remain unchanged, except for minor modifications to the calotte of the electrode.

The aim of the change is to unify the electrode designs of surge arresters produced in our plants in Johor Bahru/Malaysia and Xiaogan/China. The electrical and mechanical characteristics, type designations, ordering codes and delivery times of the affected products remain unchanged.

The qualification was successfully performed according to the internal green-light release guidelines.

Samples are available on request.

Comparison of old and new electrode



TDK Electronics AG

Rosenheimer Strasse 141 e, 81671 Munich · Post: P.O.Box 80 17 09, 81617 Munich, Germany
 Headquarters: Munich · Commercial register of the local court (Amtsgericht): Munich HRB 127250
 Chairman of the Supervisory Board: Dr. Werner Faber
 Management Board: Dr. Werner Lohwasser, Chairman · Juergen Holzinger · Joachim Thiele
www.tdk-electronics.tdk.com

PPD

Arresters
 Internal / External

221028PPD1e

October 28, 2022

Affected products

Ordering code	Type
B88069X1490S102	A81-A500X
B88069X1490T502	A81-A500X
B88069X1503B502	A81-A500XAE
B88069X1813B352	A81-A500XB4
B88069X2230C102	A80-A350X
B88069X2230C103	A80-A350X
B88069X2360C103	A80-C350X
B88069X2370T502	A81-A350XG
B88069X2380S102	A81-A350X
B88069X2380T502	A81-A350X
B88069X2691T602	N80-A350XSMD
B88069X2800T502	A81-C600XDG
B88069X2830S102	N81-A600X
B88069X2830T502	N81-A600X
B88069X2850C103	A81-C600X
B88069X2870S102	A81-C600X
B88069X2870T502	A81-C600XG
B88069X2880S102	A81-A600X
B88069X2880T502	A81-A600X
B88069X2900C103	A80-A600X
B88069X2980T502	A81-A600XG
B88069X2990T502	A81-A600XG
B88069X3411T602	N80-A350XSMD
B88069X3773B502	N82-A600XB5
B88069X3941C103	A80-A600XNC
B88069X4673C502	A81-A600XB
B88069X4780T502	N81-A350XG
B88069X4790C103	P80-A350X
B88069X4830S102	N81-A350X
B88069X4860T502	N81-A500XG
B88069X4910C103	N80-A350X
B88069X4910C403	N80-A350X
B88069X4920S102	N81-A350X
B88069X4920T502	N81-A350X
B88069X4990C103	N80-A600X
B88069X5041S102	N81-A800X
B88069X5041T502	N81-A800X
B88069X5223C103	N80-A400X
B88069X5390T502	N82-A600XG
B88069X5423S102	A81-A800XHC

October 28, 2022

B88069X5423T502	A81-A800XHC
B88069X6080S102	N82-A350X
B88069X6080T502	N82-A350X
B88069X6340C103	A80-C600X
B88069X6441S102	A81-A470X
B88069X6441T502	A81-A470X
B88069X6450S102	P81-A470X
B88069X6471B502	A80-A500XTP
B88069X7061S102	A81-A550X
B88069X7711T352	A81-A350XSMD
B88069X7941T352	A81-A350XSMD
B88069X7971T602	N80-A600XSMD
B88069X8041B502	N81-A350XC
B88069X8281C103	A81-C600X
B88069X9661B502	A80-A350XTP

Scheduled date of change: February 13, 2023
(or earlier, with written approval by the customer)
Estimated date of first deliveries: February 13, 2023

Enclosure PCN (ID No. PPD015/T127)

Contact Wong Huan Chee, PPD AB PM, Johor Bahru

Customers are asked to address inquiries directly to their sales contacts.

Product / Process Change Notification

1. ID No. PPD015/ T127		2. Date of announcement October 28, 2022	
3. Product / product group A8, N8 and P8 series of EPCOS surge arresters	Old ordering code See UPtoDATE	New ordering code no change	Customer part number N/A
4. Description of change The design of the electrode will be slightly changed. The dimensions of the components remain unchanged, except for minor modifications to the calotte of the electrode (see drawing for details).			
5. Effect on the product or for the customer (benefit, quality, specification, lead time) The electrical and mechanical characteristics remain unaffected by these changes. The delivery times remain unchanged.			
6. Quality assurance measures / risk assessment The qualification was successfully performed according to IATF 16949 requirements. The investigations for internal release showed no effects on the mechanical characteristics as a consequence of the change described in item 4. The established control plans will consequently not be changed. All quality assurance measures will be maintained. Samples are available on request.			
7. Scheduled date of change February 13, 2023 (or earlier, with written approval by the customer)			
8. Estimated date of first delivery of changed product February 13, 2023 (or earlier, with written approval by the customer) If TDK Electronics AG does not receive notification to the contrary within a period of 10 weeks, TDK Electronics AG assumes that the customer agrees to the change. <input checked="" type="checkbox"/> For an interim period we cannot rule out that old as well as new products will be shipped. <input type="checkbox"/> Future shipments can consist of old and new products as the new changed product is used as an alternative to the old product.			
Quality Management Name Johann Reiterer		Signature Signed Reiterer	
Product Marketing Name Wong Huan Chee Tel. +607 3566 666 E-mail huanchee.wong@tdk.com		Signature Signed Wong	
Customer feedback			
Customer acknowledgement		Signature	