



## Product Change Notification / SYST-11ZUV0881

---

### Date:

12-Aug-2022

### Product Category:

Interface- Serial Peripherals

### PCN Type:

Document Change

### Notification Subject:

Data Sheet - MCP23009/MCP23S09 - 8-Bit I/O Expander with Open-Drain Outputs Data Sheet

### Affected CPNs:

[SYST-11ZUV0881\\_Affected\\_CPN\\_08122022.pdf](#)

[SYST-11ZUV0881\\_Affected\\_CPN\\_08122022.csv](#)

### Notification Text:

SYST-11ZUV0881

Microchip has released a new Datasheet for the MCP23009/MCP23S09 - 8-Bit I/O Expander with Open-Drain Outputs Data Sheet of devices. If you are using one of these devices please read the document located at [MCP23009/MCP23S09 - 8-Bit I/O Expander with Open-Drain Outputs Data Sheet](#).

**Notification Status:** Final

#### Description of Change:

Added information about the Automotive Qualification status of the device in Section "Features".  
Clarified Section 3.1 "Package Marking Information" to more closely match manufacturing standards.  
Updated Section "Product Identification System", with Automotive Qualified devices.  
Minor text and format changes throughout.

**Impacts to Data Sheet:** None

**Change Implementation Status:** Complete

**Date Document Changes Effective:** 12 Aug 2022

**NOTE:** Please be advised that this is a change to the document only the product has not been changed.

Markings to Distinguish Revised from Unrevised Devices::N/A

## Attachments:

[MCP23009/MCP23S09 - 8-Bit I/O Expander with Open-Drain Outputs Data Sheet](#)

Please contact your local [Microchip sales office](#) with questions or concerns regarding this notification.

## Terms and Conditions:

If you wish to receive Microchip PCNs via email please register for our PCN email service at our [PCN home page](#) select register then fill in the required fields. You will find instructions about registering for Microchips PCN email service in the [PCN FAQ](#) section.

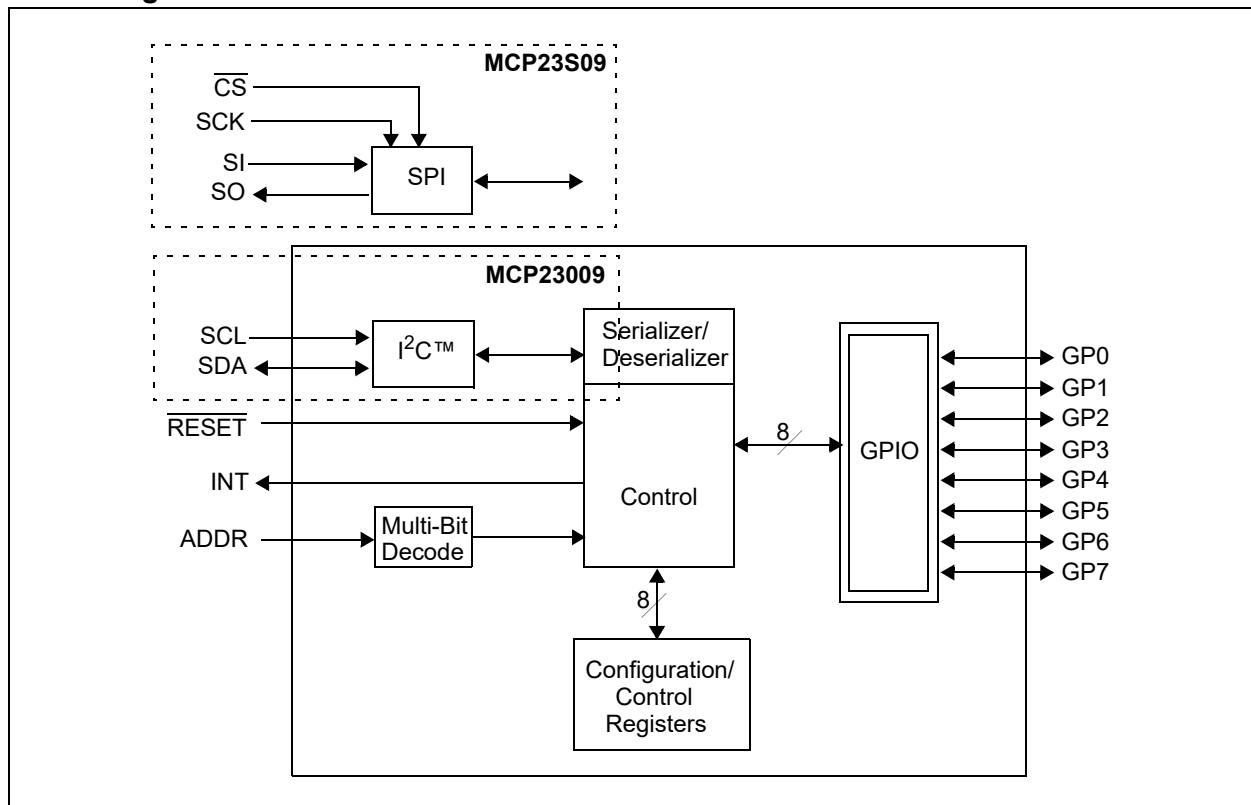
If you wish to change your PCN profile, including opt out, please go to the [PCN home page](#) select login and sign into your myMicrochip account. Select a profile option from the left navigation bar and make the applicable selections.

## 8-Bit I/O Expander with Open-Drain Outputs

### Features

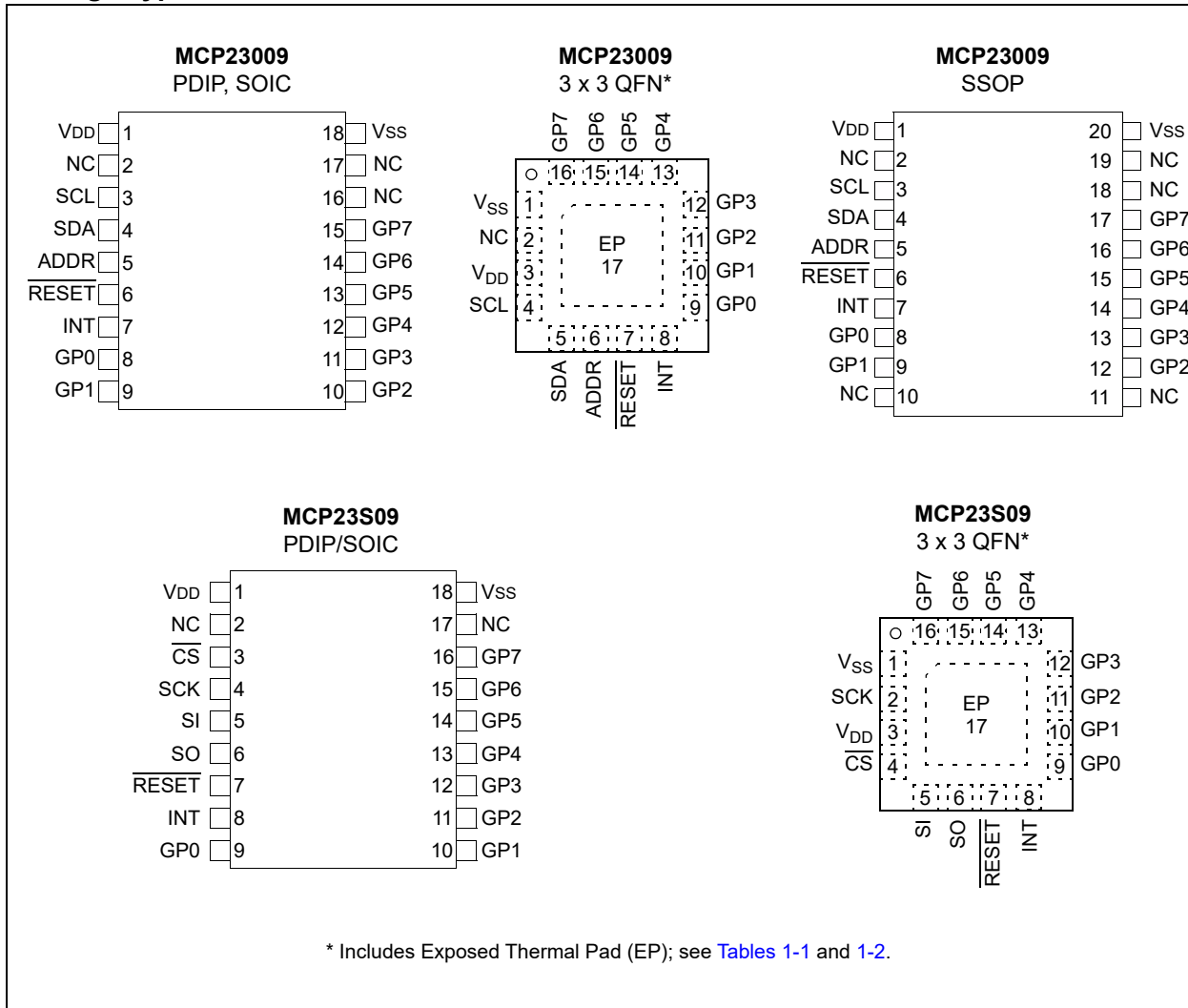
- AEC-Q100 Qualified
- 8-Bit Remote Bidirectional I/O Port:
  - I/O Pins Default to Input
- Open-Drain Outputs:
  - 5.5V Tolerant
  - 25 mA Sink Capable (per Pin)
  - 200 mA Total
- High-Speed I<sup>2</sup>C™ Interface (**MCP23009**):
  - 100 kHz
  - 400 kHz
  - 3.4 MHz
- High-Speed SPI Interface (**MCP23S09**):
  - 10 MHz
- Single Hardware Address Pin (**MCP23009**):
  - Voltage input to allow up to eight devices on the bus
- Configurable Interrupt Output Pins:
  - Configurable as active-high, active-low or open-drain
- Configurable Interrupt Source:
  - Interrupt-on-Change from configured defaults or pin change
- Polarity inversion register to configure the polarity of the input port data
- External Reset Input
- Low Standby Current:
  - 1 μA (-40°C ≤ TA ≤ +85°C)
  - 6 μA (+85°C ≤ TA ≤ +125°C)
- Operating Voltage:
  - 1.8V to 5.5V
- Available Packages:
  - 16-Lead QFN (3x3x0.9 mm)
  - 18-Lead PDIP (300 mil)
  - 18-Lead SOIC (7.50 mm)
  - 20-Lead SSOP (5.30 mm)

### Block Diagram



# MCP23009/MCP23S09

## Package Types



## 1.0 DEVICE OVERVIEW

MCP23X09 device provides 8-bit, general purpose parallel I/O expansion for I<sup>2</sup>C bus or SPI applications. The two devices differ only in the serial interface.

- MCP23009 – I<sup>2</sup>C interface
- MCP23S09 – SPI interface

MCP23X09 consists of multiple 8-bit configuration registers for input, output and polarity selection. The system host can enable the I/Os as either inputs or outputs by writing the I/O configuration bits. The data for each input or output is kept in the corresponding input or output register. The polarity of the input port register can be inverted with the polarity inversion register. All registers can be read by the system host.

The interrupt output can be configured to activate under two conditions (mutually exclusive):

1. When any input state differs from its corresponding input port register state. This is used to indicate to the system host that an input state has changed.
2. When an input state differs from a pre-configured register value (DEFVAL register).

The Interrupt Capture register captures port values at the time of the Interrupt, thereby saving the condition that caused the Interrupt.

The Power-On Reset (POR) sets the registers to their default values and initializes the device state machine.

The hardware address pin is used to determine the device address.

# MCP23009/MCP23S09

## 1.1 Pin Descriptions

**TABLE 1-1: I<sup>2</sup>C™ PINOUT DESCRIPTION (MCP23009)**

Pin Name	Pin Number			Pin Type	Standard Function
	16-lead QFN	18-lead PDIP/SOIC	20-lead SSOP		
VDD	3	1	1	P	Power
NC	2	2, 16-17	2, 10-11, 18-19	—	Not connected
SCL	4	3	3	I	Serial clock input
SDA	5	4	4	I/O	Serial data I/O
ADDR	6	5	5	I	Hardware address pin allows up to eight client devices on the bus
RESET	7	6	6	I	Hardware reset
INT	8	7	7	O	Interrupt output for port. Can be configured as active-high, active-low or open-drain.
GP0	9	8	8	I/O	Bidirectional I/O pin (5.5V tolerant inputs; open-drain outputs). Can be enabled for interrupt on change and/or internal pull-up resistor.
GP1	10	9	9	I/O	Bidirectional I/O pin (5.5V tolerant inputs; open-drain outputs). Can be enabled for interrupt on change and/or internal pull-up resistor.
GP2	11	10	12	I/O	Bidirectional I/O pin (5.5V tolerant inputs; open-drain outputs). Can be enabled for interrupt on change and/or internal pull-up resistor.
GP3	12	11	13	I/O	Bidirectional I/O pin (5.5V tolerant inputs; open-drain outputs). Can be enabled for interrupt on change and/or internal pull-up resistor.
GP4	13	12	14	I/O	Bidirectional I/O pin (5.5V tolerant inputs; open-drain outputs). Can be enabled for interrupt on change and/or internal pull-up resistor.
GP5	14	13	15	I/O	Bidirectional I/O pin (5.5V tolerant inputs; open-drain outputs). Can be enabled for interrupt on change and/or internal pull-up resistor.
GP6	15	14	16	I/O	Bidirectional I/O pin (5.5V tolerant inputs; open-drain outputs). Can be enabled for interrupt on change and/or internal pull-up resistor.
GP7	16	15	17	I/O	Bidirectional I/O pin (5.5V tolerant inputs; open-drain outputs). Can be enabled for interrupt on change and/or internal pull-up resistor.
Vss	1	18	20	P	Ground
EP	17	—	—	—	Exposed Thermal Pad (EP). Can be left floating or connected to Vss.

# MCP23009/MCP23S09

**TABLE 1-2: SPI PINOUT DESCRIPTION (MCP23S09)**

Pin Name	Pin Number		Pin Type	Standard Function
	16-lead QFN	18-lead PDIP/SOIC		
VDD	3	1	P	Power (high-current capable)
NC	—	2, 17	—	Not connected
$\overline{\text{CS}}$	4	3	I	Chip select
SCK	2	4	I	Serial clock input
SI	5	5	I	Serial data input
SO	6	6	O	Serial data out
$\overline{\text{RESET}}$	7	7	I	Hardware reset (must be externally biased)
INT	8	8	O	Interrupt output for port. Can be configured as active-high, active-low or open-drain.
GP0	9	9	I/O	Bidirectional I/O pin (5.5V tolerant inputs; open-drain outputs). Can be enabled for Interrupt-on-Change and/or internal pull-up resistor.
GP1	10	10	I/O	Bidirectional I/O pin (5.5V tolerant inputs; open-drain outputs). Can be enabled for Interrupt-on-Change and/or internal pull-up resistor.
GP2	11	11	I/O	Bidirectional I/O pin (5.5V tolerant inputs; open-drain outputs). Can be enabled for Interrupt-on-Change and/or internal pull-up resistor.
GP3	12	12	I/O	Bidirectional I/O pin (5.5V tolerant inputs; open-drain outputs). Can be enabled for Interrupt-on-Change and/or internal pull-up resistor.
GP4	13	13	I/O	Bidirectional I/O pin (5.5V tolerant inputs; open-drain outputs). Can be enabled for Interrupt-on-Change and/or internal pull-up resistor.
GP5	14	14	I/O	Bidirectional I/O pin (5.5V tolerant inputs; open-drain outputs). Can be enabled for Interrupt-on-Change and/or internal pull-up resistor.
GP6	15	15	I/O	Bidirectional I/O pin (5.5V tolerant inputs; open-drain outputs). Can be enabled for Interrupt-on-Change and/or internal pull-up resistor.
GP7	16	16	I/O	Bidirectional I/O pin (5.5V tolerant inputs; open-drain outputs). Can be enabled for Interrupt-on-Change and/or internal pull-up resistor.
VSS	1	18	P	Ground (high-current capable)
EP	17	—	—	Exposed Thermal Pad (EP). Can be left floating or connected to VSS.

# MCP23009/MCP23S09

## 1.2 Power-On Reset (POR)

The on-chip POR circuit holds the device in reset until VDD has reached a high enough voltage to deactivate the POR circuit (i.e., release the device from reset). The maximum VDD rise time is specified in the electrical specification section.

When the device exits the POR condition (releases reset), the device operating parameters (i.e., voltage, temperature, serial bus frequency, etc.) must be met to ensure proper operation.

## 1.3 Serial Interface

This block handles the functionality of the I<sup>2</sup>C (MCP23009) or SPI (MCP23S09) interface protocol. MCP23X09 contains eleven (11) individual registers which can be addressed through the Serial Interface block (Table 1-3).

TABLE 1-3: REGISTER ADDRESSES

Address	Access to
00h	IODIR
01h	IPOL
02h	GPINTEN
03h	DEFVAL
04h	INTCON
05h	IOCON
06h	GPPU
07h	INTF
08h	INTCAP (read-only)
09h	GPIO
0Ah	OLAT

### 1.3.1 BYTE MODE AND SEQUENTIAL MODE

MCP23X09 has the ability to operate in Byte mode or Sequential mode (IOCON.SEQOP). Byte mode and Sequential mode are not to be confused with I<sup>2</sup>C byte operations and sequential operations. The modes explained here relate to the device's internal address pointer and whether or not it is incremented after each byte is clocked on the serial interface.

- **Byte mode** disables automatic address pointer incrementing. When operating in Byte mode, MCP23X09 does not increment its internal address counter after each byte during the data transfer. This gives the ability to continually access the same address by providing extra clocks (without additional control bytes). This is useful for polling the GPIO register for data changes or for continually writing to the output latches.

- **Sequential mode** enables automatic address pointer incrementing. When operating in Sequential mode, MCP23X09 increments its address counter after each byte during the data transfer. The address pointer automatically rolls over to address 00h after accessing the last register.

These two modes are not to be confused with single writes/reads and continuous writes/reads, which are serial protocol sequences. For example, the device may be configured for Byte mode and the host may perform a continuous read. In this case, MCP23X09 would not increment the address pointer and would repeatedly drive data from the same location.

### 1.3.2 I<sup>2</sup>C INTERFACE

#### 1.3.2.1 I<sup>2</sup>C Write Operation

The I<sup>2</sup>C write operation includes the control byte and the register address sequence, as shown in the bottom of Figure 1-1. This sequence is followed by eight bits of data from the host and an Acknowledge (ACK) from MCP23009. The operation is ended with a Stop (P) or Restart (SR) condition being generated by the host.

Data is written to MCP23009 after every byte transfer. If a Stop or Restart condition is generated during a data transfer, the data will not be written to MCP23009.

Both Byte mode and Sequential mode are supported by MCP23009. If Sequential mode is enabled (default), MCP23009 increments its address counter after each ACK during the data transfer.

#### 1.3.2.2 I<sup>2</sup>C Read Operation

I<sup>2</sup>C read operations include the control byte sequence, as shown in the bottom of Figure 1-1. This sequence is followed by another control byte (including the Start condition and ACK) with the R/W bit equal to a logic one (R/W = 1). MCP23009 then transmits the data contained in the addressed register. The sequence is ended with the host generating a Stop or Restart condition.

#### 1.3.2.3 I<sup>2</sup>C Sequential Write/Read

For sequential operations (Write or Read), instead of transmitting a Stop or Restart condition after the data transfer, the host clocks the next byte pointed to by the address pointer (see Section 1.3.1 "Byte Mode and Sequential Mode" for details regarding sequential operation control).

The sequence ends with the host sending a Stop or Restart condition.

MCP23009 address pointer will roll over to address zero after reaching the last register address.

Refer to Figure 1-1.



## 1.3.3 SPI INTERFACE

MCP23S09 operates in Mode 0,0 and Mode 1,1. The difference between the two modes is the idle state of the clock.

- Mode 0,0: The idle state of the clock is low. Input data is latched on the rising edge of the clock; output data is driven on the falling edge of the clock.
- Mode 1,1: The idle state of the clock is high. Input data is latched on the rising edge of the clock; output data is driven on the falling edge of the clock.

### 1.3.3.1 SPI Write Operation

The SPI write operation is started by lowering  $\overline{CS}$ . The write command (client address with R/W bit cleared) is then clocked into the device. The opcode is followed by an address and at least one data byte.

### 1.3.3.2 SPI Read Operation

The SPI read operation is started by lowering  $\overline{CS}$ . The SPI read command (client address with R/W bit set) is then clocked into the device. The opcode is followed by an address, with at least one data byte being clocked out of the device.

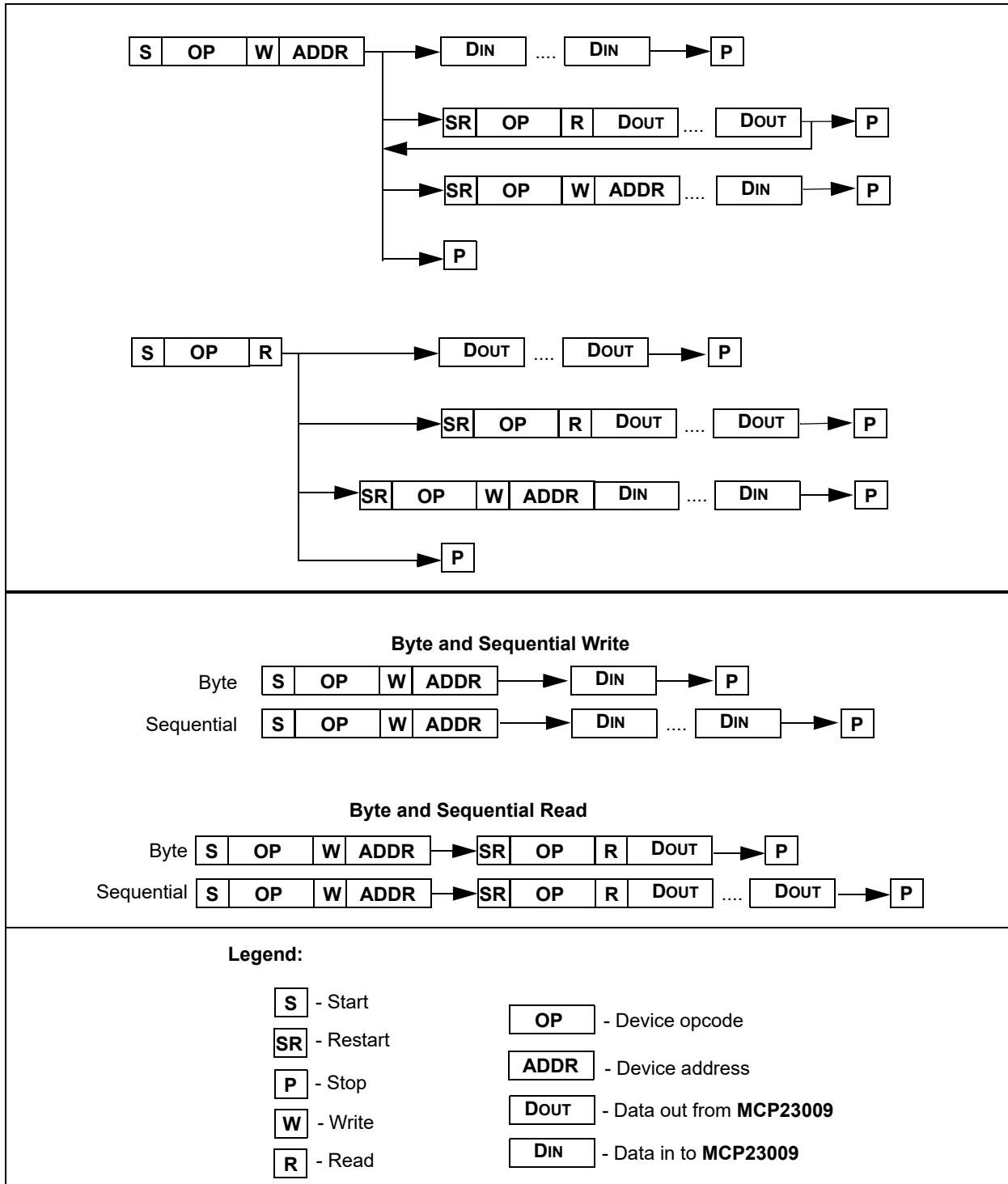
### 1.3.3.3 SPI Sequential Write/Read

For sequential operations, instead of deselecting the device by raising  $\overline{CS}$ , the host clocks the next byte pointed to by the address pointer (see [Section 1.3.1 “Byte Mode and Sequential Mode”](#) for details regarding sequential operation control).

The sequence ends by the raising of  $\overline{CS}$ .

MCP23S09 address pointer will roll over to address zero after reaching the last register address.

# MCP23009/MCP23S09



**FIGURE 1-1:** MCP23009 I<sup>2</sup>C™ Device Protocol.

## 1.4 Multi-Bit Address Decoder

The ADDR pin is used to set the client address of MCP23009 (I<sup>2</sup>C only) to allow up to eight devices on the bus using only a single pin. Typically, this would require three pins.

The multi-bit Address Decoder employs a basic FLASH ADC architecture (Figure 1-4). The seven comparators generate eight unique values based on the analog input. This value is converted to a 3-bit code which corresponds to the address bits (A2, A1, A0) in the serial OPCODE.

**Sequence of operation** (see Figure 1-5 for timings):

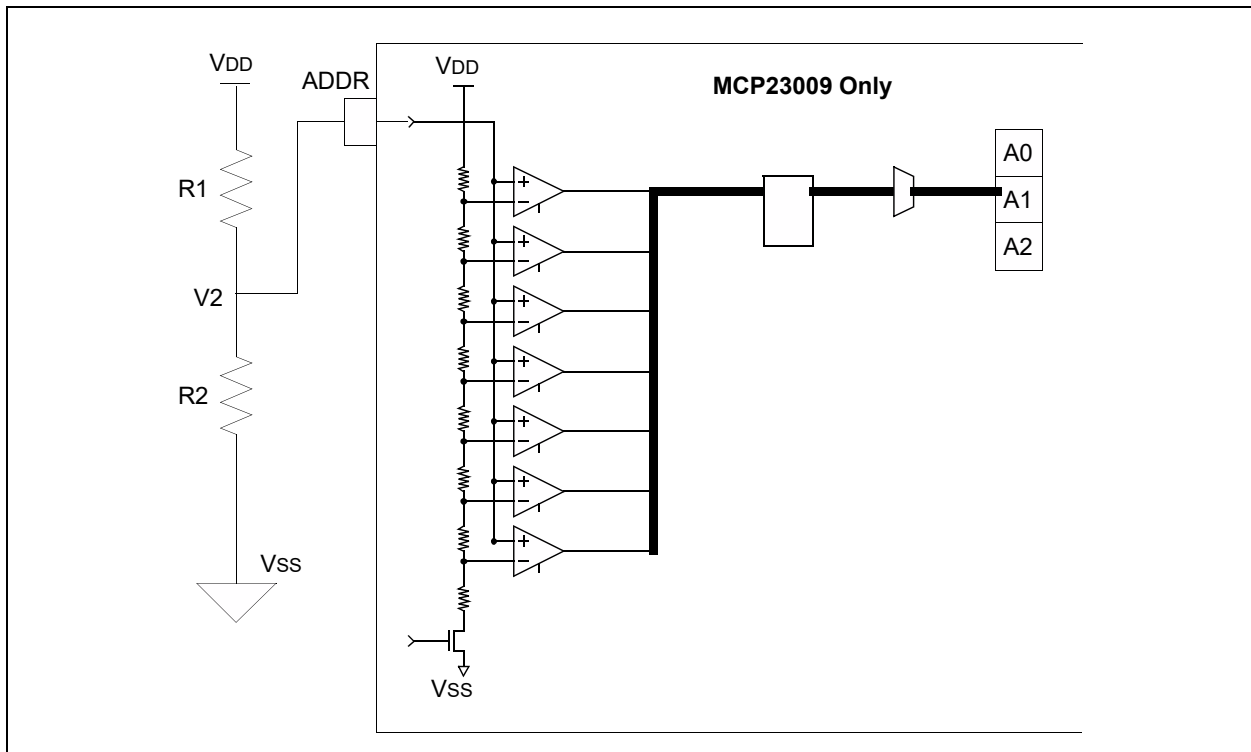
1. Upon power-up (after VDD stabilizes), the module becomes active after time t<sub>ADEN</sub>. Note that the analog value on the ADDR pin must be stable before this point to ensure accurate address assignment.
2. The 3-bit address is latched after t<sub>ADDRLAT</sub>.
3. The module powers down after the first rising edge of the serial clock is detected (t<sub>ADDIS</sub>).

Once the address bits are latched, the device will keep the client address until a POR or Reset condition occurs.

### 1.4.1 CALCULATING VOLTAGE ON ADDR

When calculating the required voltage on the ADDR pin (V<sub>2</sub>), the set point should be the mid point of the LSb of the ADC.

The examples in Figures 1-2 and 1-3 show how to determine the mid-point voltage (V<sub>2</sub>) and the range of voltages based on a voltage divider circuit. The maximum tolerance is 20%, however, it is recommended to use 5% tolerance worst-case (10% total tolerance).



**FIGURE 1-2:** Voltage Divider Example.

# MCP23009/MCP23S09

Assume:

$n = A2, A1, A0$  in opcode

ratio =  $R2/(R1+R2)$

V2 = voltage on ADDR pin

$V2(\min) = V2 - (V_{DD}/8) \times \% \text{tolerance}$

$V2(\max) = V2 + (V_{DD}/8) \times \% \text{tolerance}$

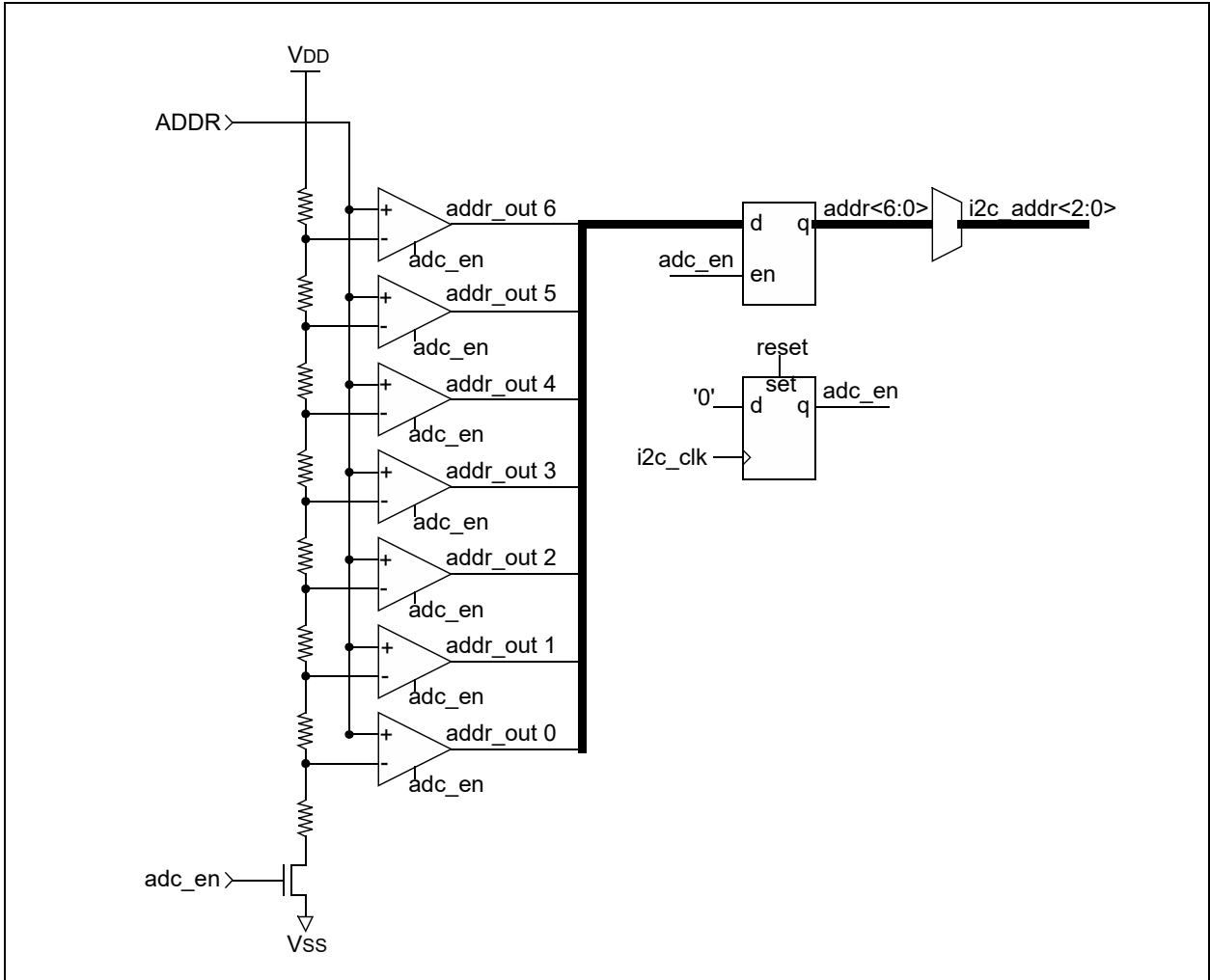
$V_{DD} = 1.8$					10% Tolerance (total)	
n	$R2 = 2n + 1$	$R1 = 16 - R2$	$R2/(R1 + R2)$	V2	V2(min)	V2(max)
0	1	15	0.0625	<b>0.113</b>	0.00	0.14
1	3	13	0.1875	<b>0.338</b>	0.32	0.36
2	5	11	0.3125	<b>0.563</b>	0.54	0.59
3	7	9	0.4375	<b>0.788</b>	0.77	0.81
4	9	7	0.5625	<b>1.013</b>	0.99	1.04
5	11	5	0.6875	<b>1.238</b>	1.22	1.26
6	13	3	0.8125	<b>1.463</b>	1.44	1.49
7	15	1	0.9375	<b>1.688</b>	1.67	1.80

$V_{DD} = 2.7$					10% Tolerance (total)	
n	$R2 = 2n + 1$	$R1 = 16 - R2$	$R2/(R1 + R2)$	V2	V2(min)	V2(max)
0	1	15	0.0625	<b>0.169</b>	0.00	0.19
1	3	13	0.1875	<b>0.506</b>	0.48	0.53
2	5	11	0.3125	<b>0.844</b>	0.82	0.87
3	7	9	0.4375	<b>1.181</b>	1.16	1.20
4	9	7	0.5625	<b>1.519</b>	1.50	1.54
5	11	5	0.6875	<b>1.856</b>	1.83	1.88
6	13	3	0.8125	<b>2.194</b>	2.17	2.22
7	15	1	0.9375	<b>2.531</b>	2.51	2.70

$V_{DD} = 3.3$					10% Tolerance (total)	
n	$R2 = 2n + 1$	$R1 = 16 - R2$	$R2/(R1 + R2)$	V2	V2(min)	V2(max)
0	1	15	0.0625	<b>0.206</b>	0.00	0.23
1	3	13	0.1875	<b>0.619</b>	0.60	0.64
2	5	11	0.3125	<b>1.031</b>	1.01	1.05
3	7	9	0.4375	<b>1.444</b>	1.42	1.47
4	9	7	0.5625	<b>1.856</b>	1.83	1.88
5	11	5	0.6875	<b>2.269</b>	2.25	2.29
6	13	3	0.8125	<b>2.681</b>	2.66	2.70
7	15	1	0.9375	<b>3.094</b>	3.07	3.30

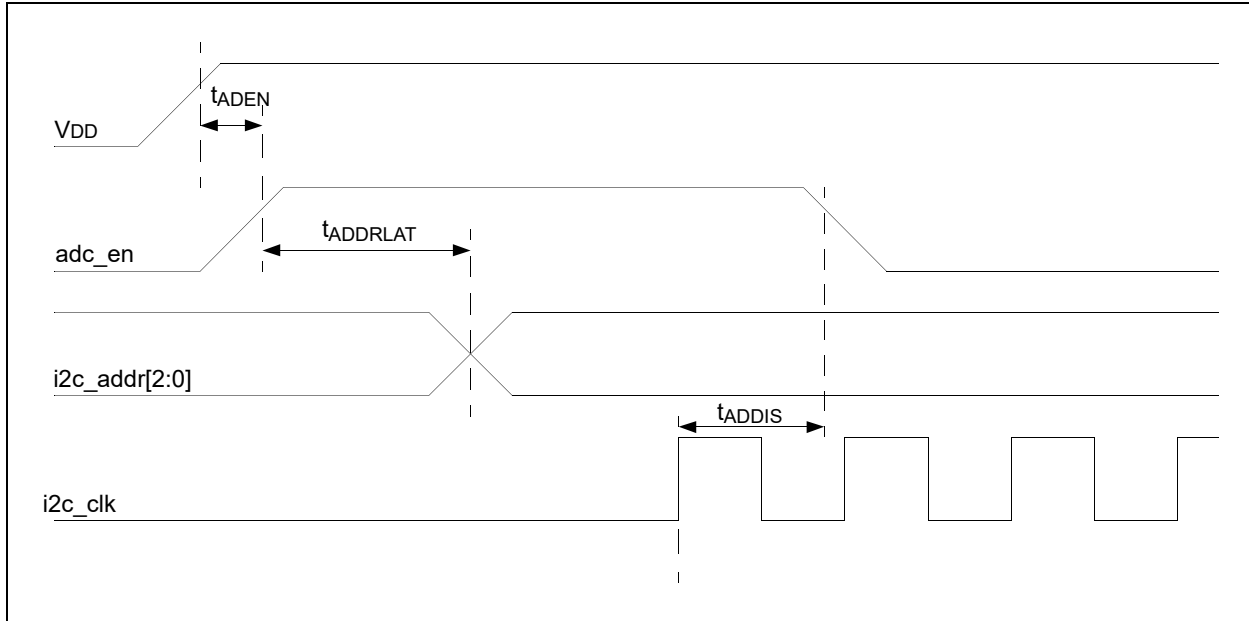
$V_{DD} = 5.5$					10% Tolerance (total)	
n	$R2 = 2n + 1$	$R1 = 16 - R2$	$R2/(R1 + R2)$	V2	V2(min)	V2(max)
0	1	15	0.0625	<b>0.344</b>	0.00	0.37
1	3	13	0.1875	<b>1.031</b>	1.01	1.05
2	5	11	0.3125	<b>1.719</b>	1.70	1.74
3	7	9	0.4375	<b>2.406</b>	2.38	2.43
4	9	7	0.5625	<b>3.094</b>	3.07	3.12
5	11	5	0.6875	<b>3.781</b>	3.76	3.80
6	13	3	0.8125	<b>4.469</b>	4.45	4.49
7	15	1	0.9375	<b>5.156</b>	5.13	5.50

**FIGURE 1-3:** Voltage and Code Example.



**FIGURE 1-4:** Flash ADC Block Diagram.

# MCP23009/MCP23S09



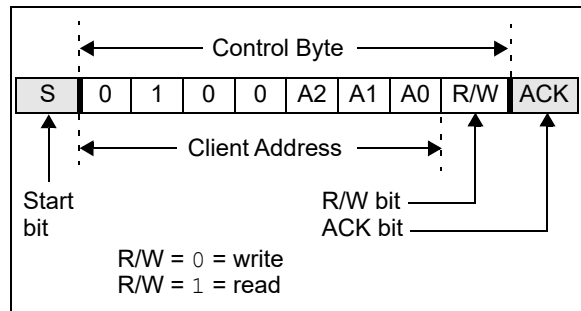
**FIGURE 1-5:** Hardware Address Decode Timing.

## 1.4.2 ADDRESSING I<sup>2</sup>C DEVICES (MCP23009)

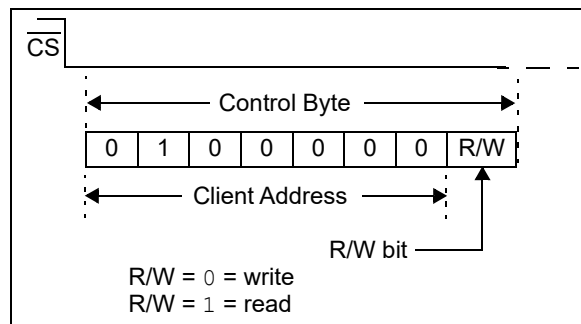
MCP23009 is a client I<sup>2</sup>C device that supports 7-bit client addressing, with the read/write bit filling out the control byte. The client address contains four fixed bits and three user-defined hardware address bits (configured via the ADDR pin). [Figure 1-6](#) shows the control byte format.

## 1.4.3 ADDRESSING SPI DEVICES (MCP23S09)

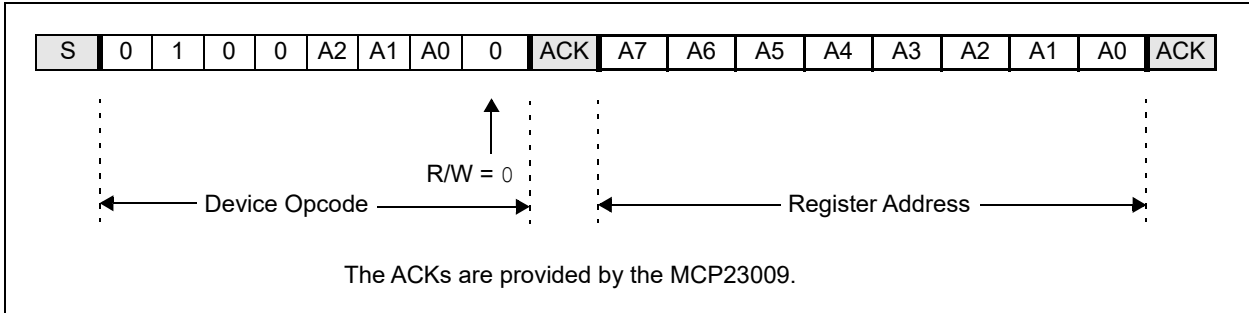
MCP23S09 is a client SPI device. The client address contains seven fixed bits (no address bits), with the read/write bit filling out the control byte. [Figure 1-7](#) shows the control byte format.



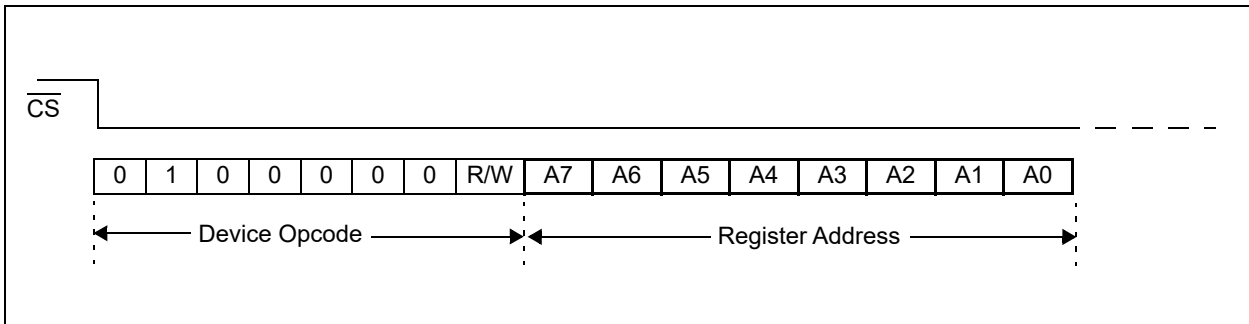
**FIGURE 1-6:** I<sup>2</sup>C™ Control Byte Format.



**FIGURE 1-7:** SPI Control Byte Format.



**FIGURE 1-8:** I<sup>2</sup>C™ Addressing Registers.



**FIGURE 1-9:** SPI Addressing Registers.

# MCP23009/MCP23S09

---

## 1.5 GPIO Port

The GPIO module is a general purpose 8-bit wide bidirectional port.

The outputs are open-drain.

The GPIO module contains the data ports (GPIO<sub>n</sub>), internal pull-up resistors and the output latches (OLAT<sub>n</sub>).

The pull-up resistors are individually configured and can be enabled when the pin is configured as an input or output.

Reading the GPIO<sub>n</sub> register reads the value on the port. Reading the OLAT<sub>n</sub> register only reads the latches, not the actual value on the port.

Writing to the GPIO<sub>n</sub> register actually causes a write to the latches (OLAT<sub>n</sub>). Writing to the OLAT<sub>n</sub> register forces the associated output drivers to drive to the level in OLAT<sub>n</sub>. Pins configured as inputs turn off the associated output driver and put it in high impedance.



## 1.6 Configuration and Control Registers

There are eleven (11) registers associated with the MCP23X09, as shown in [Table 1-4](#).

**TABLE 1-4: CONFIGURATION AND CONTROL REGISTERS**

Register Name	Address (hex)	Bit 7	Bit 6	Bit 5	Bit 4	Bit 3	Bit 2	Bit 1	Bit 0	POR/RST Value
IODIR	00	IO7	IO6	IO5	IO4	IO3	IO2	IO1	IO0	1111 1111
IPOL	01	IP7	IP6	IP5	IP4	IP3	IP2	IP1	IP0	0000 0000
GPINTEN	02	GPINT7	GPINT6	GPINT5	GPINT4	GPINT3	GPINT2	GPINT1	GPINT0	0000 0000
DEFVAL	03	DEF7	DEF6	DEF5	DEF4	DEF3	DEF2	DEF1	DEF0	0000 0000
INTCON	04	IOC7	IOC6	IOC5	IOC4	IOC3	IOC2	IOC1	IOC0	0000 0000
IOCON	05	—	—	SEQOP	—	—	ODR	INTPOL	INTCC	0000 0000
GPPU	06	PU7	PU6	PU5	PU4	PU3	PU2	PU1	PU0	0000 0000
INTF	07	INT7	INT6	INT5	INT4	INT3	INT2	INT1	INT0	0000 0000
INTCAP	08	ICP7	ICP6	ICP5	ICP4	ICP3	ICP2	ICP1	ICP0	0000 0000
GPIO	09	GP7	GP6	GP5	GP4	GP3	GP2	GP1	GP0	0000 0000
OLAT	0A	OL7	OL6	OL5	OL4	OL3	OL2	OL1	OL0	0000 0000

# MCP23009/MCP23S09

---

## 1.6.1 I/O DIRECTION REGISTER

This register controls the direction of the data I/O.

When a bit is set, the corresponding pin becomes an input. When a bit is clear, the corresponding pin becomes an output.

### REGISTER 1-1: IODIR – I/O DIRECTION REGISTER

R/W-1	R/W-1	R/W-1	R/W-1	R/W-1	R/W-1	R/W-1	R/W-1
IO7	IO6	IO5	IO4	IO3	IO2	IO1	IO0
bit 7							bit 0

#### Legend:

R = Readable bit

W = Writable bit

U = Unimplemented bit, read as '0'

-n = Value at POR

'1' = Bit is set

'0' = Bit is cleared

x = Bit is unknown

bit 7-0 **IO<7:0>**: Controls the direction of data I/O <7:0>

1 = Pin is configured as an input

0 = Pin is configured as an output

## 1.6.2 INPUT POLARITY REGISTER

This register allows the user to configure the polarity on the corresponding GPIO port bits.

If a bit is set, the corresponding GPIO register bit will reflect the inverted value on the pin.

### REGISTER 1-2: IPOL – INPUT POLARITY PORT REGISTER

R/W-0	R/W-0	R/W-0	R/W-0	R/W-0	R/W-0	R/W-0	R/W-0
IP7	IP6	IP5	IP4	IP3	IP2	IP1	IP0
bit 7							bit 0

#### Legend:

R = Readable bit	W = Writable bit	U = Unimplemented bit, read as '0'
-n = Value at POR	'1' = Bit is set	'0' = Bit is cleared
		x = Bit is unknown

bit 7-0      **IP<7:0>**: Controls the polarity inversion of the input pins <7:0>  
 1 = GPIO register bit will reflect the opposite logic state of the input pin  
 0 = GPIO register bit will reflect the same logic state of the input pin

# MCP23009/MCP23S09

---

## 1.6.3 INTERRUPT-ON-CHANGE CONTROL REGISTER

The GPINTEN register controls the Interrupt-on-Change feature for each pin.

If a bit is set, the corresponding pin is enabled for Interrupt-on-Change. The DEFVAL and INTCON registers must also be configured if any pins are enabled for Interrupt-on-Change.

### REGISTER 1-3: GPINTEN – INTERRUPT-ON-CHANGE PINS

R/W-0	R/W-0	R/W-0	R/W-0	R/W-0	R/W-0	R/W-0	R/W-0
GPINT7	GPINT6	GPINT5	GPINT4	GPINT3	GPINT2	GPINT1	GPINT0
bit 7							bit 0

#### Legend:

R = Readable bit

W = Writable bit

U = Unimplemented bit, read as '0'

-n = Value at POR

'1' = Bit is set

'0' = Bit is cleared

x = Bit is unknown

bit 7-0 **GPINT<7:0>**: General-purpose I/O interrupt-on-change pins <7:0>

1 = Enable GPIO input pin for Interrupt-on-Change event

0 = Disable GPIO input pin for Interrupt-on-Change event

Refer to the INTCON and DEFVAL registers.

## 1.6.4 DEFAULT COMPARE REGISTER FOR INTERRUPT-ON-CHANGE

The default comparison value is configured in the DEFVAL register. If enabled (via GPINTEN and INTCON) to compare against the DEFVAL register, an opposite value on the associated pin will cause an Interrupt to occur.

### REGISTER 1-4: DEFVAL – DEFAULT VALUE REGISTER

R/W-0	R/W-0	R/W-0	R/W-0	R/W-0	R/W-0	R/W-0	R/W-0
DEF7	DEF6	DEF5	DEF4	DEF3	DEF2	DEF1	DEF0
bit 7							bit 0

#### Legend:

R = Readable bit

W = Writable bit

U = Unimplemented bit, read as '0'

-n = Value at POR

'1' = Bit is set

'0' = Bit is cleared

x = Bit is unknown

bit 7-0

**DEF<7:0>:** Sets the compare value for pins configured for Interrupt-on-Change from defaults <7:0>.

Refer to the INTCON register.

If the associated pin level is the opposite from the register bit, an Interrupt occurs.

Refer to the INTCON and GPINTEN registers.

# MCP23009/MCP23S09

---

## 1.6.5 INTERRUPT CONTROL REGISTER

The INTCON register controls how the associated pin value is compared for the Interrupt-on-Change feature. If a bit is set, the corresponding I/O pin is compared against the associated bit in the DEFVAL register. If a bit value is clear, the corresponding I/O pin is compared against the previous value.

### REGISTER 1-5: INTCON – INTERRUPT-ON-CHANGE CONTROL REGISTER

R/W-0	R/W-0	R/W-0	R/W-0	R/W-0	R/W-0	R/W-0	R/W-0
IOC7	IOC6	IOC5	IOC4	IOC3	IOC2	IOC1	IOC0
bit 7							bit 0

#### Legend:

R = Readable bit

W = Writable bit

U = Unimplemented bit, read as '0'

-n = Value at POR

'1' = Bit is set

'0' = Bit is cleared

x = Bit is unknown

bit 7-0 **IOC<7:0>**: Controls how the associated pin value is compared for Interrupt-on-Change <7:0>.

1 = Pin value is compared against the associated bit in the DEFVAL register

0 = Pin value is compared against the previous pin value

Refer to the DEFVAL and GPINTEN registers.

# MCP23009/MCP23S09

## 1.6.6 CONFIGURATION REGISTER

The Sequential Operation (SEQOP) bit controls the incrementing function of the address pointer. If the address pointer is disabled, the address pointer does not automatically increment after each byte is clocked during a serial transfer. This feature is useful when it is desired to continuously poll (read) or modify (write) a register.

The Open-Drain (ODR) control bit enables/disables the INT pin for open-drain configuration.

The Interrupt Polarity (INTPOL) bit sets the polarity of the INT pin. This bit is functional only when the ODR bit is cleared, configuring the INT pin as active push-pull.

The Interrupt Clearing Control (INTCC) bit configures how Interrupts are cleared. When set (INTCC = 1), the Interrupt is cleared when the INTCAP register is read. When cleared (INTCC = 0), the Interrupt is cleared when the GPIO register is read.

The Interrupt can only be cleared when the Interrupt condition is inactive. Refer to [Section 1.7.4 “Clearing Interrupts”](#) for details.

### REGISTER 1-6: IOCON – I/O EXPANDER CONFIGURATION REGISTER

U-0	U-0	R/W-0	U-0	U-0	R/W-0	R/W-0	R/W-0
—	—	SEQOP	—	—	ODR	INTPOL	INTCC
bit 7							bit 0

#### Legend:

R = Readable bit  
-n = Value at POR

W = Writable bit  
'1' = Bit is set

U = Unimplemented bit, read as '0'  
'0' = Bit is cleared

x = Bit is unknown

bit 7	<b>Unimplemented:</b> Read as '0'
bit 6	<b>Unimplemented:</b> Read as '0'
bit 5	<b>SEQOP:</b> Sequential Operation mode bit. 1 = Sequential operation disabled, address pointer does not increment 0 = Sequential operation enabled, address pointer increments
bit 4	<b>Unimplemented:</b> Read as '0'
bit 3	<b>Unimplemented:</b> Read as '0'
bit 2	<b>ODR:</b> Configures the INT pin as an open-drain output. 1 = Open-drain output (overrides the INTPOL bit) 0 = Active driver output (INTPOL bit sets the polarity)
bit 1	<b>INTPOL:</b> Sets the polarity of the INT output pin. 1 = Active-High 0 = Active-Low
bit 0	<b>INTCC:</b> Interrupt Clearing Control 1 = Reading INTCAP register clears the Interrupt 0 = Reading GPIO register clears the Interrupt

# MCP23009/MCP23S09

## 1.6.7 PULL-UP RESISTOR CONFIGURATION REGISTER

The GPPU register controls the pull-up resistors for the port pins. If a bit is set, the corresponding port pin is internally pulled up with an internal resistor.

### REGISTER 1-7: GPPU – GPIO PULL-UP RESISTOR REGISTER

R/W-0	R/W-0	R/W-0	R/W-0	R/W-0	R/W-0	R/W-0	R/W-0
PU7	PU6	PU5	PU4	PU3	PU2	PU1	PU0
bit 7							bit 0

#### Legend:

R = Readable bit                      W = Writable bit                      U = Unimplemented bit, read as '0'  
 -n = Value at POR                      '1' = Bit is set                      '0' = Bit is cleared                      x = Bit is unknown

bit 7-0                      **PU<7:0>**: Controls the internal pull-up resistors on each pin (when configured as an input or output) <7:0>.  
 1 = Pull-Up enabled  
 0 = Pull-Up disabled

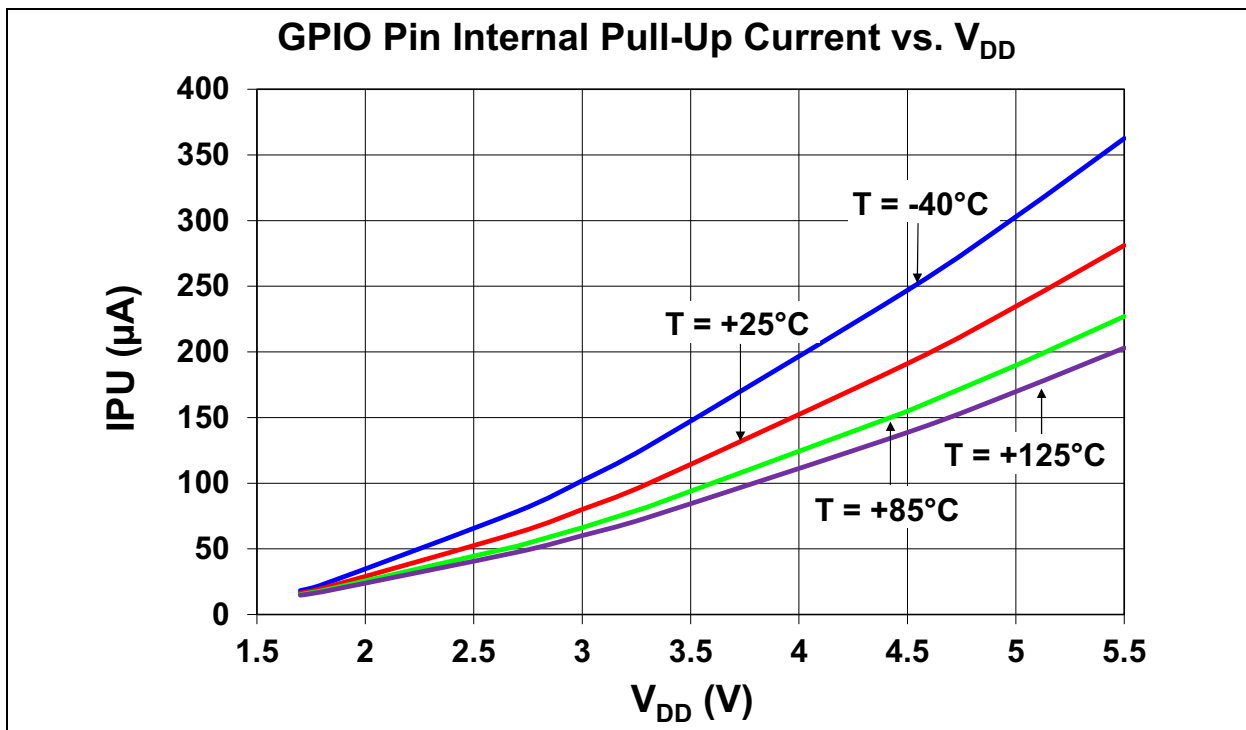


FIGURE 1-10: Typical Performance Curve for the Internal Pull-Up Resistors.



## 1.6.8 INTERRUPT FLAG REGISTER

The INTF register reflects the Interrupt condition on the port pins of any pin that is enabled for interrupts via the GPINTEN register. A set bit indicates that the associated pin caused the Interrupt.

This register is read-only. Writes to this register will be ignored.

### REGISTER 1-8: INTF – INTERRUPT FLAG REGISTER

R-0	R-0	R-0	R-0	R-0	R-0	R-0	R-0
INT7	INT6	INT5	INT4	INT3	INT2	INT1	INT0
bit 7							bit 0

#### Legend:

R = Readable bit	W = Writable bit	U = Unimplemented bit, read as '0'
-n = Value at POR	'1' = Bit is set	'0' = Bit is cleared
		x = Bit is unknown

bit 7-0      **INT<7:0>**: Reflects the interrupt condition on the port. Will reflect the change only if interrupts are enabled (GPINTEN) <7:0>.  
 1 = Pin caused Interrupt  
 0 = Interrupt not pending

# MCP23009/MCP23S09

---

## 1.6.9 INTERRUPT CAPTURE REGISTER

The INTCAP register captures the GPIO port value at the time the Interrupt occurred. The register is read-only and is updated only when an Interrupt occurs. The register will remain unchanged until the Interrupt is cleared via a read of INTCAP or GPIO.

### REGISTER 1-9: INTCAP – INTERRUPT CAPTURED VALUE FOR PORT REGISTER

R-x	R-x	R-x	R-x	R-x	R-x	R-x	R-x
ICP7	ICP6	ICP5	ICP4	ICP3	ICP2	ICP1	ICP0
bit 7							bit 0

#### Legend:

R = Readable bit

W = Writable bit

U = Unimplemented bit, read as '0'

-n = Value at POR

'1' = Bit is set

'0' = Bit is cleared

x = Bit is unknown

bit 7-0

**ICP<7:0>**: Reflects the logic level on the port pins at the time of Interrupt due to pin change <7:0>.

1 = Logic-High

0 = Logic-Low

## 1.6.10 PORT REGISTER

The GPIO register reflects the value on the port. Reading from this register reads the port. Writing to this register modifies the Output Latch (OLAT) register.

### REGISTER 1-10: GPIO – GENERAL PURPOSE I/O PORT REGISTER

R/W-0	R/W-0	R/W-0	R/W-0	R/W-0	R/W-0	R/W-0	R/W-0
GP7	GP6	GP5	GP4	GP3	GP2	GP1	GP0
bit 7							bit 0

#### Legend:

R = Readable bit

W = Writable bit

U = Unimplemented bit, read as '0'

-n = Value at POR

'1' = Bit is set

'0' = Bit is cleared

x = Bit is unknown

bit 7-0

**GP<7:0>**: Reflects the logic level on the pins <7:0>.

1 = Logic-High

0 = Logic-Low

# MCP23009/MCP23S09

---

## 1.6.11 OUTPUT LATCH REGISTER (OLAT)

The OLAT register provides access to the output latches. A read from this register results in a read of the OLAT and not the port itself. A write to this register modifies the output latches that modifies the pins configured as outputs.

### REGISTER 1-11: OLAT – OUTPUT LATCH REGISTER 0

R/W-0	R/W-0	R/W-0	R/W-0	R/W-0	R/W-0	R/W-0	R/W-0
OL7	OL6	OL5	OL4	OL3	OL2	OL1	OL0
bit 7							bit 0

#### Legend:

R = Readable bit

W = Writable bit

U = Unimplemented bit, read as '0'

-n = Value at POR

'1' = Bit is set

'0' = Bit is cleared

x = Bit is unknown

bit 7-0

**OL<7:0>**: Reflects the logic level on the output latch <7:0>.

1 = Logic-High

0 = Logic-Low

## 1.7 Interrupt Logic

If enabled, MCP23X09 activates the INT interrupt output when one of the port pins changes state or when a pin does not match the pre-configured default. Each pin is individually configurable as follows:

- Enable/disable interrupt via GPINTEN
- Can Interrupt on either pin change or change from default as configured in DEFVAL

Both conditions are referred to as Interrupt-on-Change (IOC).

The Interrupt Control Module uses the following registers/bits:

- GPINTEN – Interrupt enable register
- INTCON – Controls the source for the IOC
- DEFVAL – Contains the register default for IOC operation
- IOCON (ODR and INTPOL) – Configures the INT pin as push-pull, open-drain and active level (high or low).

### 1.7.1 IOC FROM PIN CHANGE

If enabled, the MCP23X09 will generate an Interrupt if a mismatch condition exists between the current port value and the previous port value. Only IOC-enabled pins will be compared. See the GPINTEN and INTCON registers.

### 1.7.2 IOC FROM REGISTER DEFAULT

If enabled, the MCP23X09 will generate an Interrupt if a mismatch occurs between the DEFVAL register and the port. Only IOC-enabled pins will be compared. See the GPINTEN, INTCON and DEFVAL registers.

### 1.7.3 INTERRUPT OPERATION

The INT interrupt output can be configured as active-low, active-high or open-drain via the IOCON register.

Only those pins that are configured as an input (IODIR register) with Interrupt-on-Change (IOC) enabled (GPINTEN register) can cause an Interrupt. Pins configured as an output have no effect on the interrupt output pin.

Input change activity on a port input pin that is enabled for IOC will generate an internal device Interrupt and the device will capture the value of the port and copy it into INTCAP.

The first Interrupt event will cause the port contents to be copied into the INTCAP register. Subsequent Interrupt conditions on the port will not cause an Interrupt to occur as long as the Interrupt is not cleared by a read of INTCAP or GPIO.

### 1.7.4 CLEARING INTERRUPTS

The Interrupt will remain active until the INTCAP or GPIO register is read (depending on IOCON.INTCC). Writing to these registers will not affect the Interrupt. The Interrupt condition will be cleared after the LSB of the data is clocked out during a read operation of GPIO or INTCAP (depending on IOCON.INTCC).

**Note:** Assuming  $\text{IOCON.INTCC} = 0$  (INT cleared on GPIO read), the value in INTCAP can be lost if GPIO is read before INTCAP while another IOC is pending. After reading GPIO, the Interrupt will clear and then set due to the pending IOC, causing the INTCAP register to update.

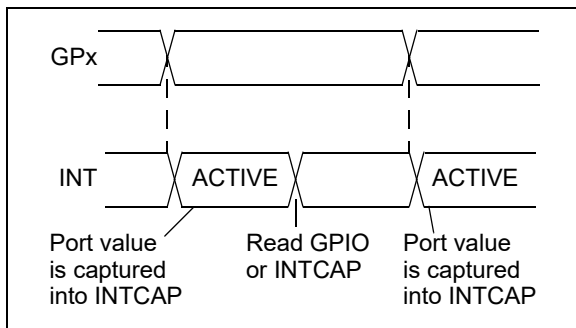
# MCP23009/MCP23S09

## 1.7.5 INTERRUPT CONDITIONS

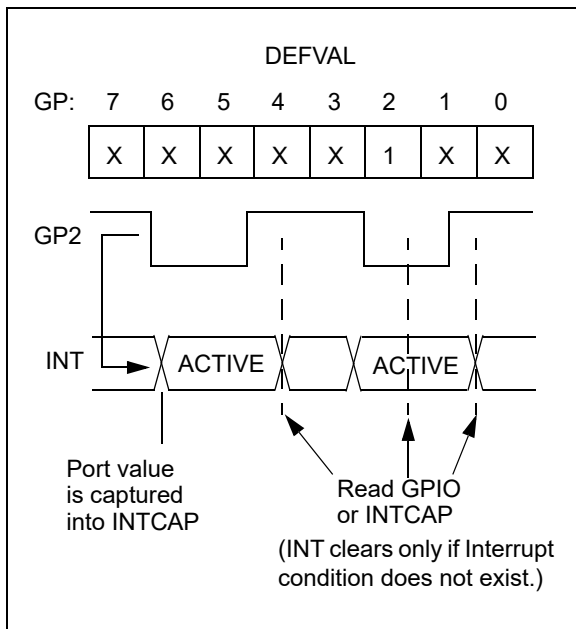
There are two possible configurations to cause Interrupts (configured via INTCON):

1. Pins configured for **Interrupt-on-Pin-Change** will cause an Interrupt to occur if a pin changes to the opposite state. The default state is reset after an Interrupt occurs. For example, an Interrupt occurs by an input changing from 1 to 0. The new initial state for the pin is a logic 0.
2. Pins configured for **Interrupt-on-Change from register value** will cause an Interrupt to occur if the corresponding input pin differs from the register bit. The Interrupt condition will remain as long as the condition exists, regardless of whether the INTAP or GPIO is read.

See [Figures 1-11](#) and [1-12](#) for more information on the interrupt operations.



**FIGURE 1-11:** *Interrupt-on-Pin-Change.*



**FIGURE 1-12:** *Interrupt-on-Change from Register Default.*

## 2.0 ELECTRICAL CHARACTERISTICS

### Absolute Maximum Ratings †

Ambient temperature under bias .....	-40°C to +125°C
Storage temperature .....	-65°C to +150°C
Voltage on VDD with respect to VSS .....	-0.3V to +7.0V
Voltage on $\overline{\text{RESET}}$ with respect to VSS .....	-0.3V to +14V
Voltage on all other pins with respect to VSS (except VDD and GPIOA/B) .....	-0.6V to (VDD + 0.6V)
Voltage on GPIO Pins .....	-0.6V to 5.5V
Total power dissipation ( <b>Note 1</b> ) .....	700 mW
Maximum current out of VSS pin .....	200 mA
Maximum current into VDD pin .....	125 mA
Input clamp current, I <sub>IK</sub> (V <sub>I</sub> < 0 or V <sub>I</sub> > V <sub>DD</sub> ).....	± 20 mA
Output clamp current, I <sub>OK</sub> (V <sub>O</sub> < 0 or V <sub>O</sub> > V <sub>DD</sub> ).....	± 20 mA
Maximum output current sunk by any output pin .....	25 mA
Maximum output current sunk by any output pin (V <sub>DD</sub> = 1.8V).....	10 mA
ESD protection on all pins (HBM:MM) .....	4 kV:400V

† **Notice:** Stresses above those listed under “Absolute Maximum Ratings” may cause permanent damage to the device. This is a stress rating only and functional operation of the device at those or any other conditions above those indicated in the operation listings of this specification is not implied. Exposure to maximum rating conditions for extended periods may affect device reliability.

**Note 1:** Power dissipation is calculated as follows:

$$P_{DIS} = V_{DD} \times \{I_{DD} - \sum I_{OH}\} + \sum \{(V_{DD} - V_{OH}) \times I_{OH}\} + \sum (V_{OL} \times I_{OL}).$$

# MCP23009/MCP23S09

## 2.1 DC Characteristics

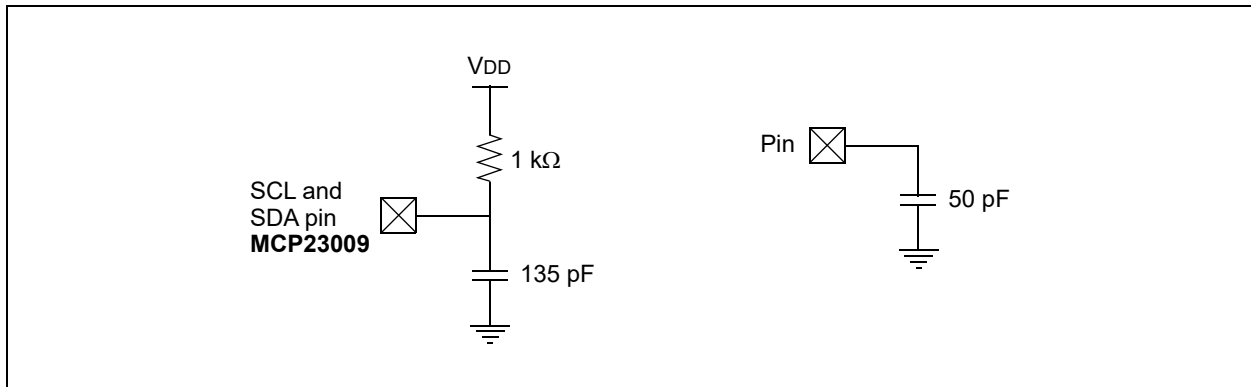
DC Characteristics		Electrical Characteristics: Unless otherwise indicated, all limits are specified for $1.8V \leq V_{DD} \leq 5.5V$ at $-40^{\circ}C \leq T_A \leq +125^{\circ}C$ .					
Param. No.	Characteristic	Sym.	Min.	Typ. <sup>(2)</sup>	Max.	Units	Conditions
D001	Supply Voltage	V <sub>DD</sub>	1.8	—	5.5	V	
D002	V <sub>DD</sub> Start Voltage to Ensure Power-On Reset	V <sub>POR</sub>	—	V <sub>SS</sub>	—	V	
D003	V <sub>DD</sub> Rise Rate to Ensure Power-On Reset	SV <sub>DD</sub>	0.05	—	—	V/ms	Design guidance only. Not tested.
D004	Supply Current	I <sub>DD</sub>	—	—	1	mA	SCL/SCK = 1 MHz
D005	Standby (Idle) current	I <sub>DDS</sub>	—	—	1	μA	$-40^{\circ}C \leq T_A \leq +85^{\circ}C$
			—	—	6	μA	$+85^{\circ}C \leq T_A \leq +125^{\circ}C$
<b>Input Low-Voltage</b>							
D031	$\overline{CS}$ , GPIO, SCL/SCK, SDA, SI, $\overline{RESET}$	V <sub>IL</sub>	V <sub>SS</sub>	—	0.2 V <sub>DD</sub>	V	
<b>Input High-Voltage</b>							
D041	$\overline{CS}$ , SCL/SCK, SDA, SI, $\overline{RESET}$	V <sub>IH</sub>	0.8 V <sub>DD</sub>	—	V <sub>DD</sub>	V	
	GPIO	V <sub>IH</sub>	0.8 V <sub>DD</sub>	—	5.5	V	
<b>Input Leakage Current</b>							
D060	I/O port pins	I <sub>IL</sub>	—	—	±1	μA	V <sub>SS</sub> ≤ V <sub>PIN</sub> ≤ V <sub>DD</sub>
<b>Output Leakage Current</b>							
D065	I/O port pins	I <sub>LO</sub>	—	—	±1	μA	V <sub>SS</sub> ≤ V <sub>PIN</sub> ≤ V <sub>DD</sub>
D070	GPIO internal pull-up current	I <sub>PU</sub>	—	220	—	μA	V <sub>DD</sub> = 5V, GP Pins = V <sub>SS</sub> (Note 1)
<b>Output Low-Voltage</b>							
D080	GPIO	V <sub>OL</sub>	—	—	0.6	V	I <sub>OL</sub> = 8.5 mA, V <sub>DD</sub> = 4.5V (open-drain)
	INT		—	—	0.6		I <sub>OL</sub> = 1.6 mA, V <sub>DD</sub> = 4.5V
	SO, SDA		—	—	0.6		I <sub>OL</sub> = 3.0 mA, V <sub>DD</sub> = 1.8V
	SDA		—	—	0.8		I <sub>OL</sub> = 3.0 mA, V <sub>DD</sub> = 4.5V
<b>Output High-Voltage</b>							
D090	INT, SO	V <sub>OH</sub>	V <sub>DD</sub> – 0.7	—	—	V	I <sub>OH</sub> = -3.0 mA, V <sub>DD</sub> = 4.5V
			V <sub>DD</sub> – 0.7	—	—		I <sub>OH</sub> = -400 μA, V <sub>DD</sub> = 1.8V
<b>Capacitive Loading Specs on Output Pins</b>							
D101	GPIO, SO, INT	C <sub>IO</sub>	—	—	50	pF	These are load conditions for the timing specifications. Refer to Figure 2-1. SDA test condition is 135 pF.
D102	SDA	C <sub>B</sub>	—	—	400 <sup>(1)</sup>		

**Note 1:** This parameter is characterized, not 100% tested.

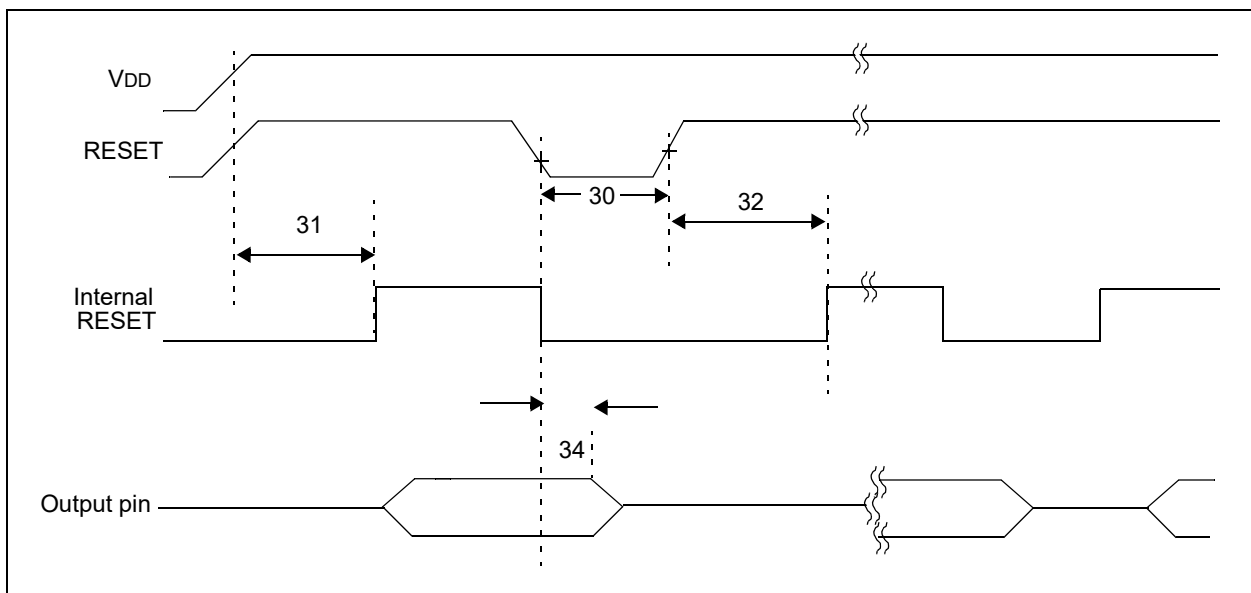
**2:** Data in the Typical ("Typ") column is at 5V, +25°C, unless otherwise stated.



## 2.2 AC CHARACTERISTICS



**FIGURE 2-1:** Load Conditions for Device Timing Specifications.



**FIGURE 2-2:**  $\overline{\text{RESET}}$  and Device Reset Timer Timing.

**TABLE 2-1:**  $\overline{\text{RESET}}$  AND DEVICE RESET TIMER REQUIREMENTS

AC Characteristics		Electrical Characteristics: Unless otherwise indicated, all limits are specified for $1.8\text{V} \leq V_{\text{DD}} \leq 5.5\text{V}$ at $-40^\circ\text{C} \leq T_{\text{A}} \leq +125^\circ\text{C}$ .					
Param. No.	Sym.	Characteristic	Min.	Typ. <sup>(2)</sup>	Max.	Units	Conditions
30	TRSTL	$\overline{\text{RESET}}$ Pulse Width (low)	1	—	—	$\mu\text{s}$	$V_{\text{DD}} = 5.0\text{V}$
32	THLD	Device active after reset high	—	0	—	$\mu\text{s}$	$V_{\text{DD}} = 5.0\text{V}$
31	TPOR	POR at device power-up	—	20	—	$\mu\text{s}$	$V_{\text{DD}} = 5.0\text{V}$
34	TIOZ	Output high-impedance from $\overline{\text{RESET}}$ Low	—	—	1	$\mu\text{s}$	

**Note 1:** This parameter is characterized, not 100% tested.

**2:** Data in the Typical (“Typ”) column is at 5V, +25°C, unless otherwise stated.

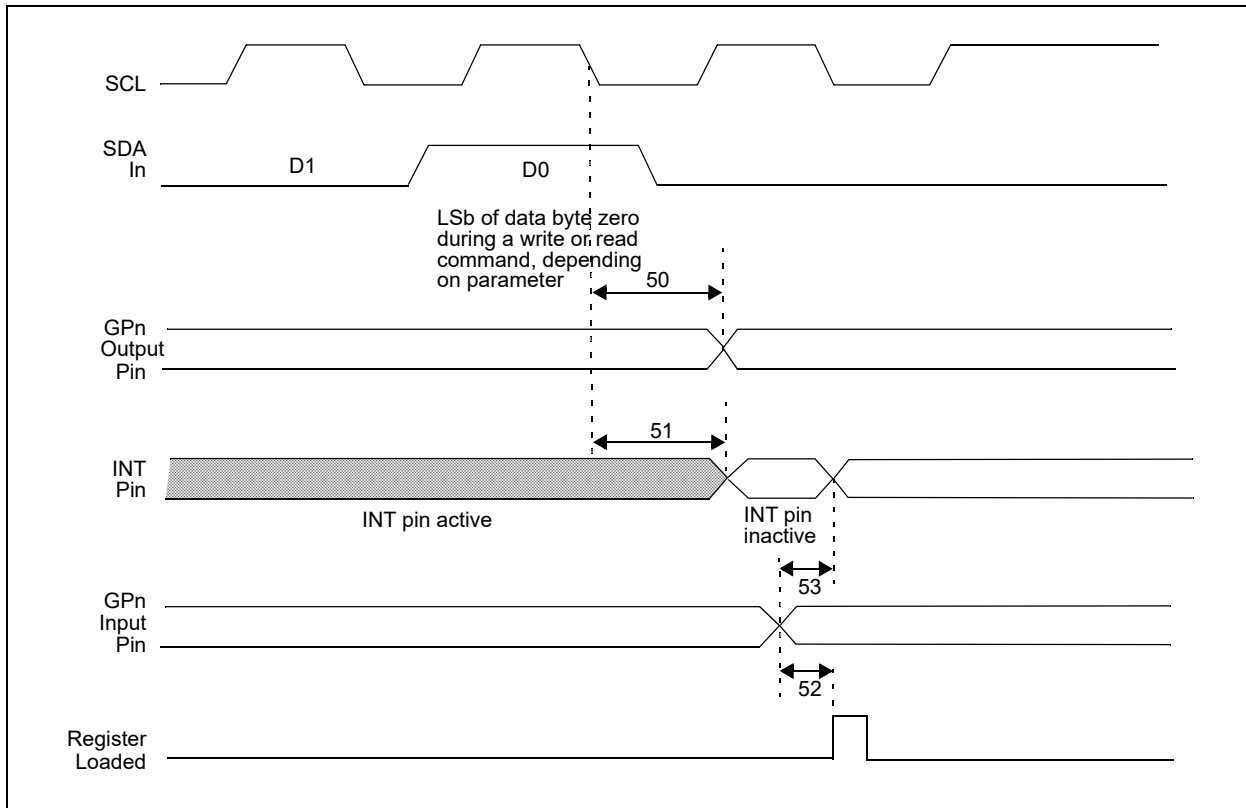
# MCP23009/MCP23S09

**TABLE 2-2: GP AND INT PINS**

AC Characteristics		Electrical Characteristics: Unless otherwise indicated, all limits are specified for $1.8V \leq V_{DD} \leq 5.5V$ at $-40^{\circ}C \leq T_A \leq +125^{\circ}C$ .					
Param. No.	Sym.	Characteristic	Min.	Typ. <sup>(2)</sup>	Max.	Units	Conditions
50	tGPOV	Serial data to output valid	—	—	500	ns	
51	tINTD	Interrupt pin disable time	—	—	600	ns	
52	tGPIV	GP input change to register valid	—	450	—	ns	Note 1
53	tGPINT	IOC event to INT active	—	—	600	ns	
54	tGLITCH	Glitch filter on GP pins	—	—	50	ns	Note 1

**Note 1:** This parameter is characterized, not 100% tested.

**2:** Data in the Typical ("Typ.") column is at 5V, +25°C, unless otherwise stated.



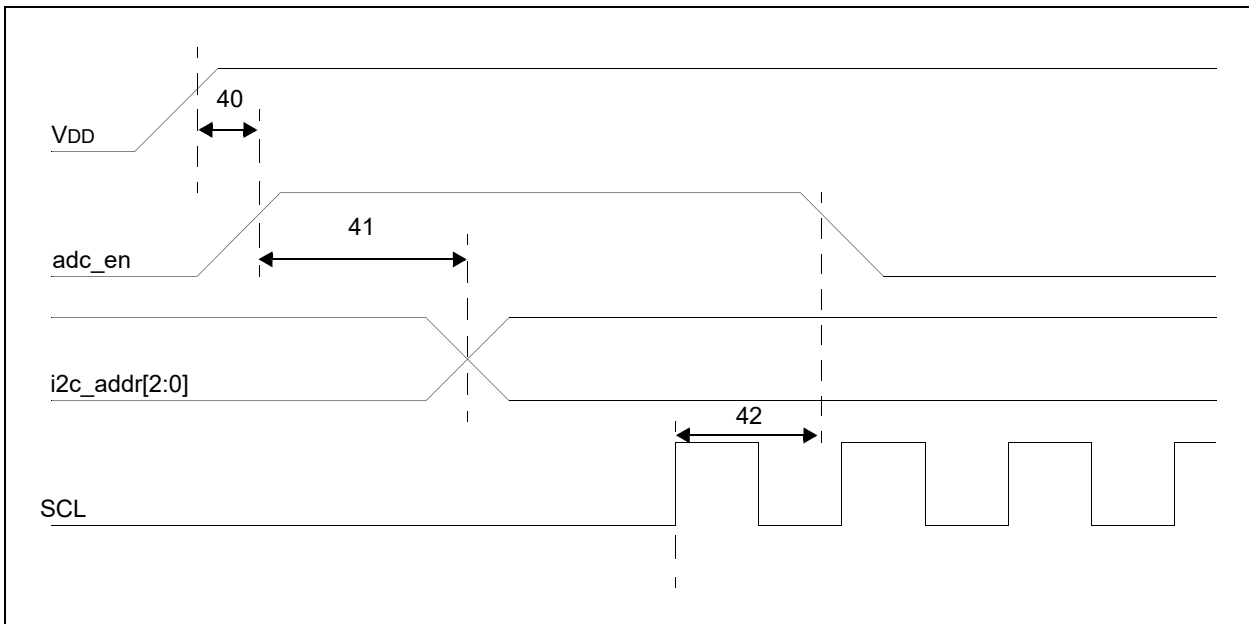
**FIGURE 2-3: GPIO and INT Timing.**

**TABLE 2-3: HARDWARE ADDRESS LATCH TIMING**

AC Characteristics		Electrical Characteristics: Unless otherwise indicated, all limits are specified for $1.8V \leq V_{DD} \leq 5.5V$ at $-40^{\circ}C \leq T_A \leq +125^{\circ}C$ .					
Param. No.	Sym.	Characteristic	Min.	Typ. <sup>(2)</sup>	Max.	Units	Conditions
40	tADEN	Time from VDD stable after POR to ADC enable	—	0	—	$\mu s$	Note 1
41	tADDRLAT	Time from ADC enable to address decode and latch	—	50	—	ns	Note 1
42	tADDIS	Time from raising edge of serial clock to ADC disable	—	10	—	ns	Note 1

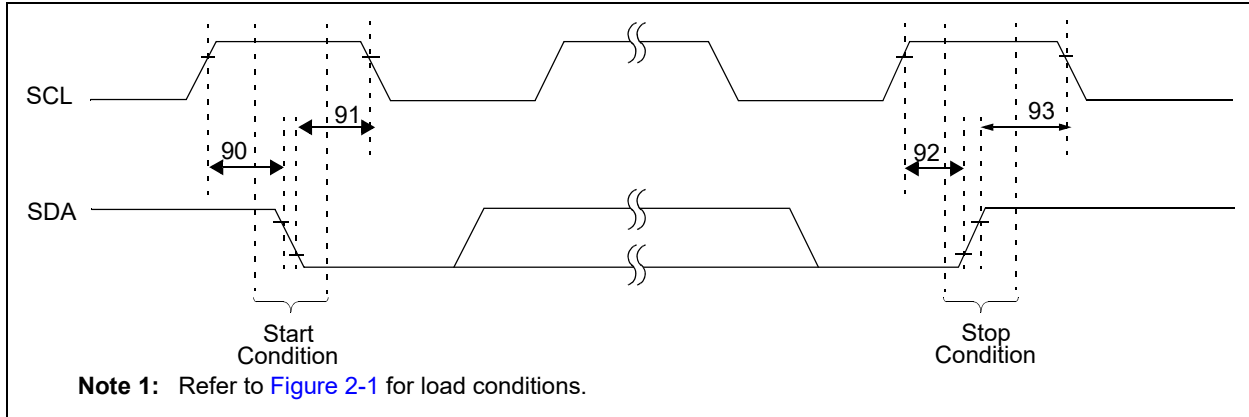
**Note 1:** This parameter is characterized, not 100% tested.

**2:** Data in the Typical ("Typ.") column is at 5V, +25°C, unless otherwise stated.

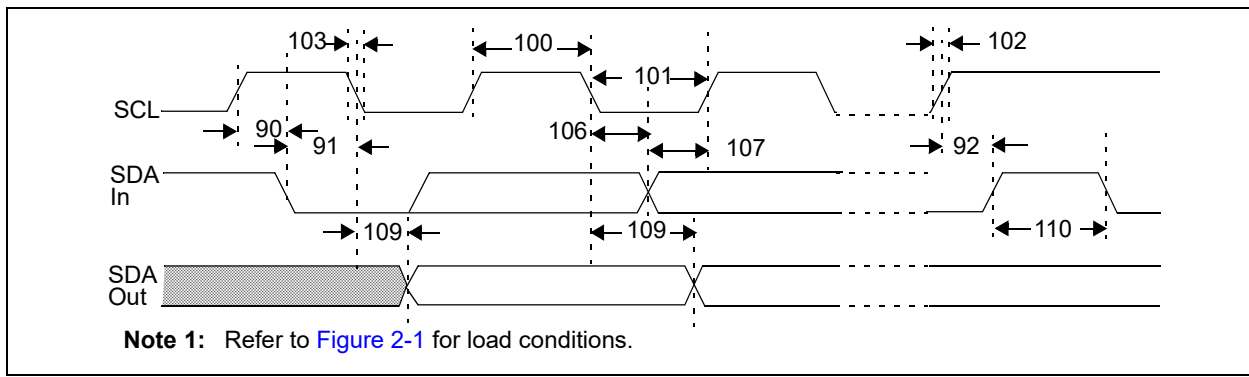


**FIGURE 2-4:** Hardware Address Latch Timing.

# MCP23009/MCP23S09



**FIGURE 2-5:** I<sup>2</sup>C™ Bus Start/Stop Bits Timing.



**FIGURE 2-6:** I<sup>2</sup>C™ Bus Data Timing.

# MCP23009/MCP23S09

**TABLE 2-4: I<sup>2</sup>C™ BUS DATA REQUIREMENTS (CLIENT MODE)**

I <sup>2</sup> C™ AC Characteristics		Electrical Characteristics: Unless otherwise indicated, all limits are specified for 1.8V ≤ VDD ≤ 5.5V at -40°C ≤ TA ≤ +125°C, RPU (SCL, SDA) = 1 kΩ, CL (SCL, SDA) = 135 pF.					
Param. No.	Characteristic	Sym.	Min.	Typ.	Max.	Units	Conditions
100	Clock High Time:	THIGH					
	100 kHz mode		4.0	—	—	μs	1.8V – 5.5V
	400 kHz mode		0.6	—	—	μs	1.8V – 5.5V
	3.4 MHz mode		0.06	—	—	μs	2.7V – 5.5V
101	Clock Low Time:	TLOW					
	100 kHz mode		4.7	—	—	μs	1.8V – 5.5V
	400 kHz mode		1.3	—	—	μs	1.8V – 5.5V
	3.4 MHz mode		0.16	—	—	μs	2.7V – 5.5V
102	SDA and SCL Rise Time:	TR (Note 1)					
	100 kHz mode		—	—	1000	ns	1.8V – 5.5V
	400 kHz mode		20 + 0.1 CB <sup>(2)</sup>	—	300	ns	1.8V – 5.5V
	3.4 MHz mode		10	—	80	ns	2.7V – 5.5V
103	SDA and SCL Fall Time:	TF (Note 1)					
	100 kHz mode		—	—	300	ns	1.8V – 5.5V
	400 kHz mode		20 + 0.1 CB <sup>(2)</sup>	—	300	ns	1.8V – 5.5V
	3.4 MHz mode		10	—	80	ns	2.7V – 5.5V
90	Start Condition Setup Time:	TSU:STA					
	100 kHz mode		4.7	—	—	μs	1.8V – 5.5V
	400 kHz mode		0.6	—	—	μs	1.8V – 5.5V
	3.4 MHz mode		0.16	—	—	μs	2.7V – 5.5V
91	Start Condition Hold Time:	THD:STA					
	100 kHz mode		4.0	—	—	μs	1.8V – 5.5V
	400 kHz mode		0.6	—	—	μs	1.8V – 5.5V
	3.4 MHz mode		0.16	—	—	μs	2.7V – 5.5V
106	Data Input Hold Time:	THD:DAT					
	100 kHz mode		0	—	3.45	μs	1.8V – 5.5V
	400 kHz mode		0	—	0.9	μs	1.8V – 5.5V
	3.4 MHz mode		0	—	0.07	μs	2.7V – 5.5V
107	Data Input Setup Time:	TSU:DAT					
	100 kHz mode		250	—	—	ns	1.8V – 5.5V
	400 kHz mode		100	—	—	ns	1.8V – 5.5V
	3.4 MHz mode		0.01	—	—	μs	2.7V – 5.5V
92	Stop Condition Setup Time:	TSU:STO					
	100 kHz mode		4.0	—	—	μs	1.8V – 5.5V
	400 kHz mode		0.6	—	—	μs	1.8V – 5.5V
	3.4 MHz mode		0.16	—	—	μs	2.7V – 5.5V

**Note 1:** This parameter is characterized, not 100% tested.

**2:** CB is specified from 10 to 400 (pF).

**3:** This parameter is not applicable in high-speed mode (3.4 MHz).

# MCP23009/MCP23S09

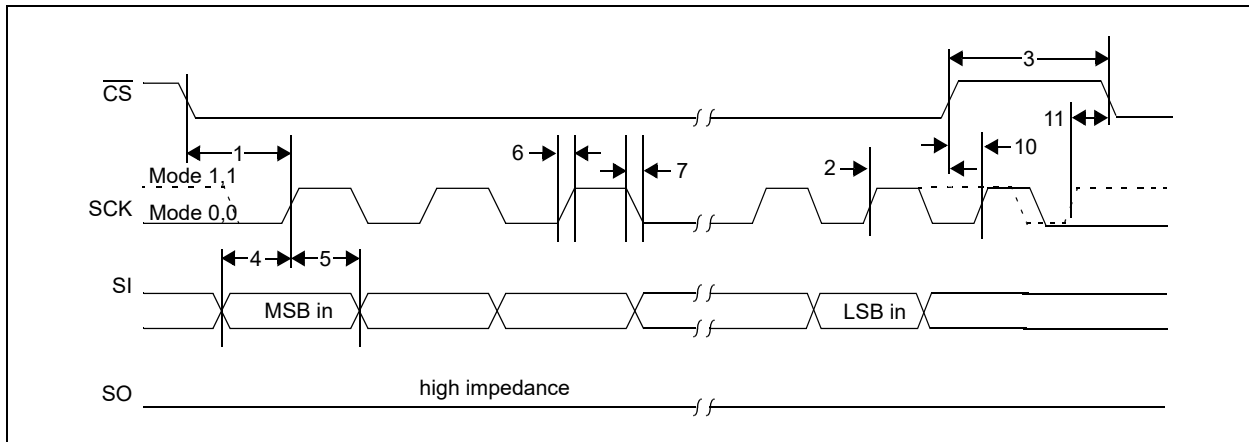
**TABLE 2-4: I<sup>2</sup>C™ BUS DATA REQUIREMENTS (CLIENT MODE) (CONTINUED)**

I <sup>2</sup> C™ AC Characteristics		Electrical Characteristics: Unless otherwise indicated, all limits are specified for 1.8V ≤ V <sub>DD</sub> ≤ 5.5V at -40°C ≤ T <sub>A</sub> ≤ +125°C, R <sub>PU</sub> (SCL, SDA) = 1 kΩ, C <sub>L</sub> (SCL, SDA) = 135 pF.					
Param. No.	Characteristic	Sym.	Min.	Typ.	Max.	Units	Conditions
109	Output Valid From Clock:	TAA					
	100 kHz mode		—	—	3.45	μs	1.8V – 5.5V
	400 kHz mode		—	—	0.9	μs	1.8V – 5.5V
	3.4 MHz mode		—	—	0.18	μs	2.7V – 5.5V
110	Bus Free Time:	TBUF (Note 3)					
	100 kHz mode		4.7	—	—	μs	1.8V – 5.5V
	400 kHz mode		1.3	—	—	μs	1.8V – 5.5V
	3.4 MHz mode		N/A	—	N/A	μs	2.7V – 5.5V
	Bus Capacitive Loading:	C <sub>B</sub> (Note 2)					
	100 kHz and 400 kHz		—	—	400	pF	Note 1
	3.4 MHz		—	—	100	pF	Note 1
	Input Filter Spike Suppression: (SDA and SCL)	TSP					
	100 kHz and 400 kHz		—	—	50	ns	Note 1
	3.4 MHz		—	—	10	ns	Note 1

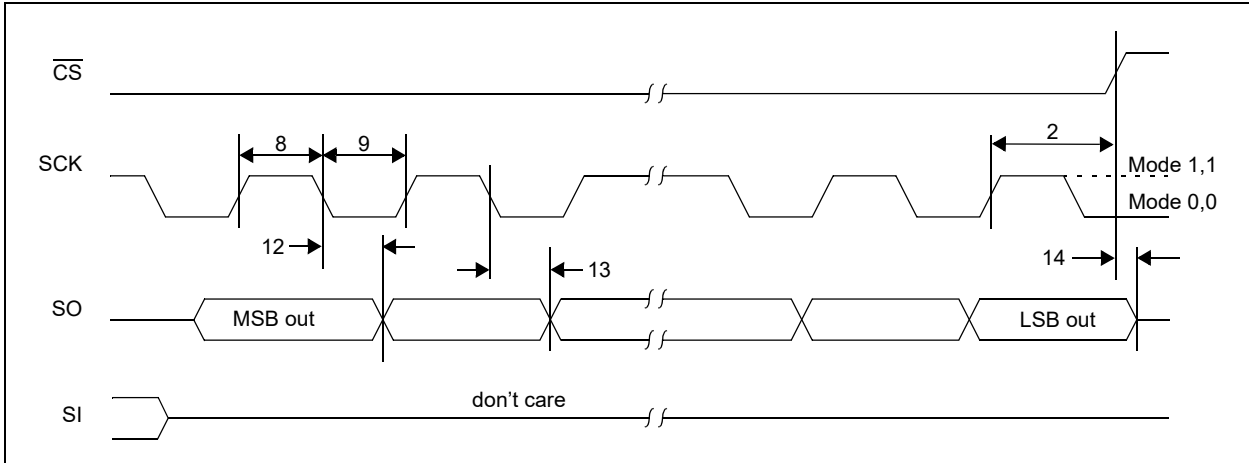
**Note 1:** This parameter is characterized, not 100% tested.

**Note 2:** C<sub>B</sub> is specified from 10 to 400 (pF).

**Note 3:** This parameter is not applicable in high-speed mode (3.4 MHz).



**FIGURE 2-7: SPI Input Timing.**



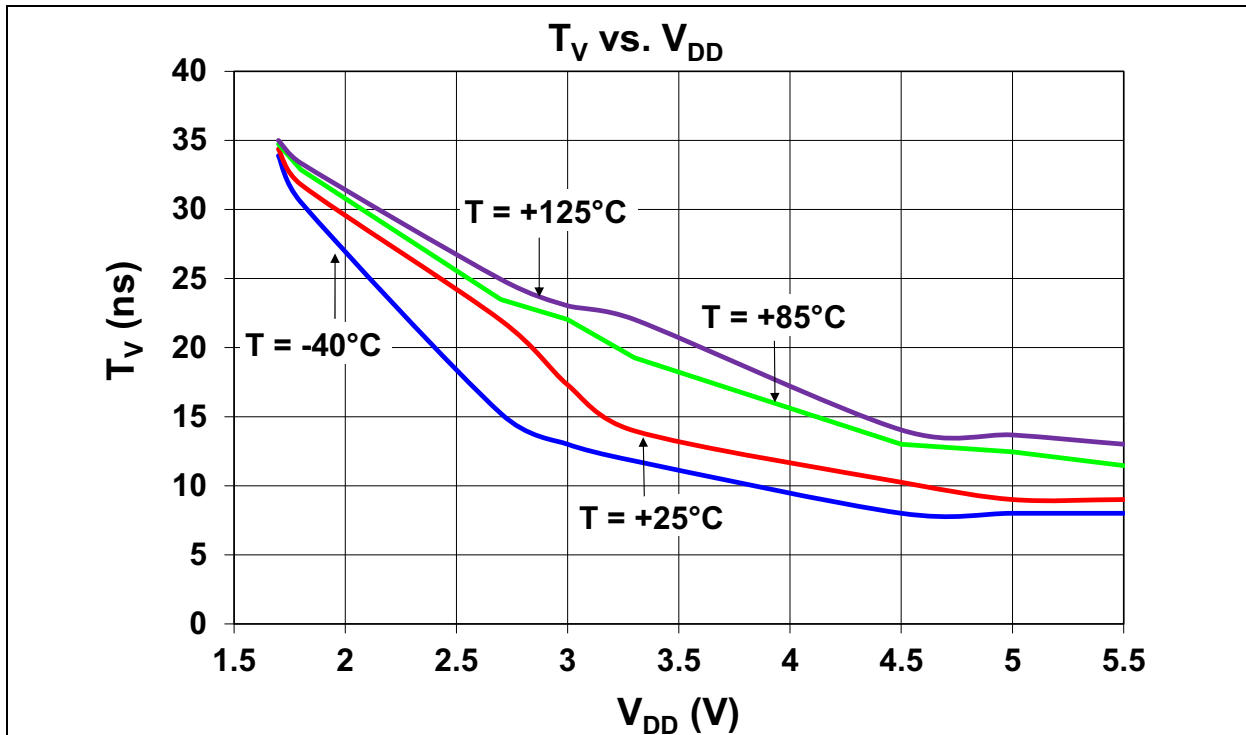
**FIGURE 2-8:** SPI Output Timing.

# MCP23009/MCP23S09

**TABLE 2-5: SPI INTERFACE AC CHARACTERISTICS**

SPI Interface AC Characteristics		Electrical Characteristics: Unless otherwise indicated, all limits are specified for $1.8V \leq V_{DD} \leq 5.5V$ at $-40^{\circ}C \leq T_A \leq +125^{\circ}C$ .					
Param. No.	Characteristic	Sym.	Min.	Typ.	Max.	Units	Conditions
	Clock Frequency	FCLK	—	—	10	MHz	1.8V – 5.5V
1	$\overline{CS}$ Setup Time	T <sub>CSS</sub>	50	—	—	ns	
2	$\overline{CS}$ Hold Time	T <sub>CSH</sub>	50	—	—	ns	1.8V – 5.5V
3	$\overline{CS}$ Disable Time	T <sub>CSD</sub>	50	—	—	ns	1.8V – 5.5V
4	Data Setup Time	T <sub>SU</sub>	10	—	—	ns	1.8V – 5.5V
5	Data Hold Time	T <sub>HD</sub>	10	—	—	ns	1.8V – 5.5V
6	CLK Rise Time	T <sub>R</sub>	—	—	2	$\mu$ s	Note 1
7	CLK Fall Time	T <sub>F</sub>	—	—	2	$\mu$ s	Note 1
8	Clock High Time	T <sub>HI</sub>	45	—	—	ns	1.8V – 5.5V
9	Clock Low Time	T <sub>LO</sub>	45	—	—	ns	1.8V – 5.5V
10	Clock Delay Time	T <sub>CLE</sub>	50	—	—	ns	
11	Clock Enable Time	T <sub>CLE</sub>	50	—	—	ns	
12	Output Valid from Clock Low	T <sub>V</sub>	—	—	45	ns	1.8V – 5.5V
13	Output Hold Time	T <sub>HO</sub>	0	—	—	ns	
14	Output Disable Time	T <sub>DIS</sub>	—	—	100	ns	

**Note 1:** This parameter is characterized, not 100% tested.

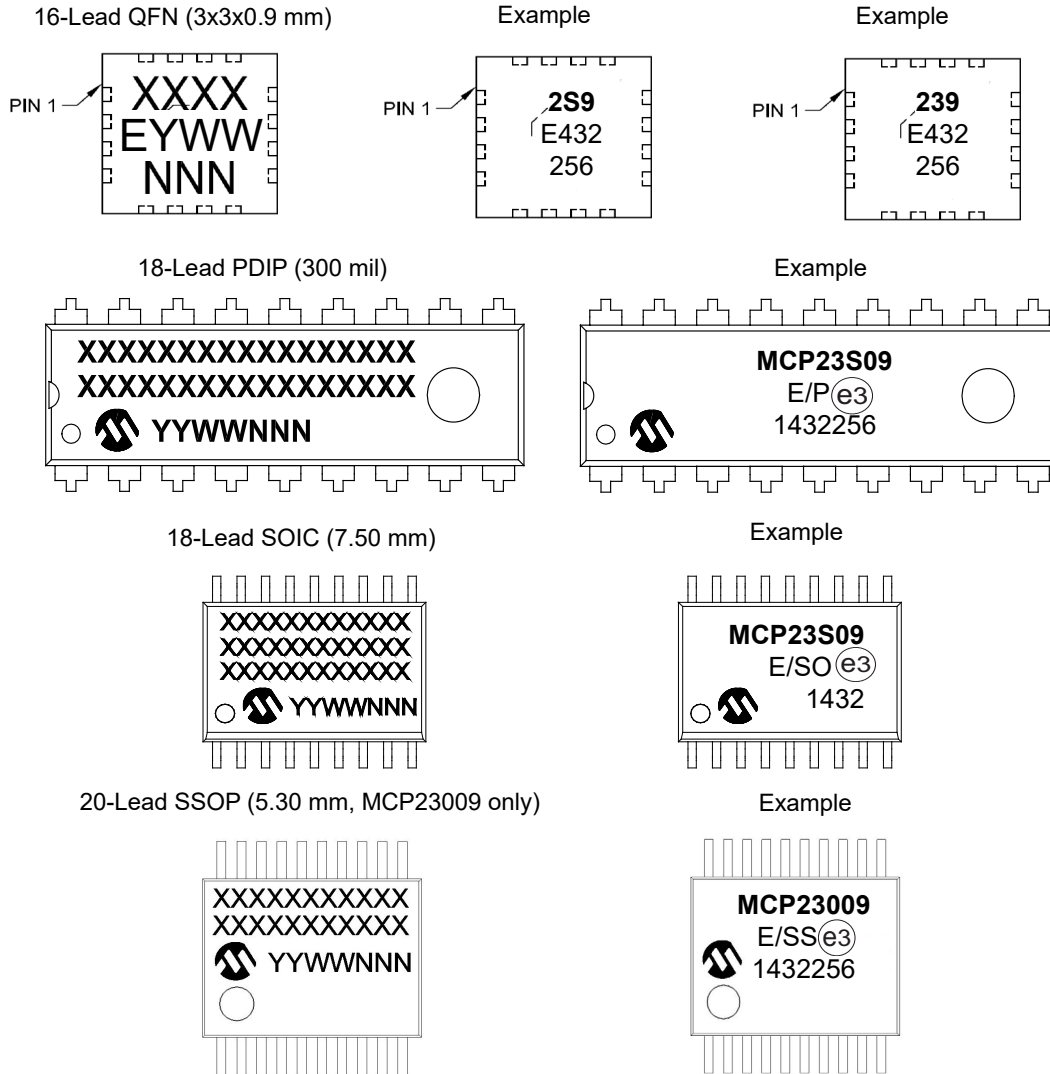


**FIGURE 2-9:** Typical Performance Curve for SPI T<sub>V</sub> Specification (Param #12).



## 3.0 PACKAGING INFORMATION

### 3.1 Package Marking Information



**Legend:**

- XX...X Product code or customer-specific information
- Y Year code (last digit of calendar year)
- YY Year code (last 2 digits of calendar year)
- WW Week code (week of January 1 is week '01')
- NNN Alphanumeric traceability code
- (e3) Pb-free JEDEC® designator for Matte Tin (Sn)
- \* This package is Pb-free. The Pb-free JEDEC designator (e3) can be found on the outer packaging for this package.
- , ▲, ▼ Pin one index is identified by a dot, delta up, or delta down (triangle mark).

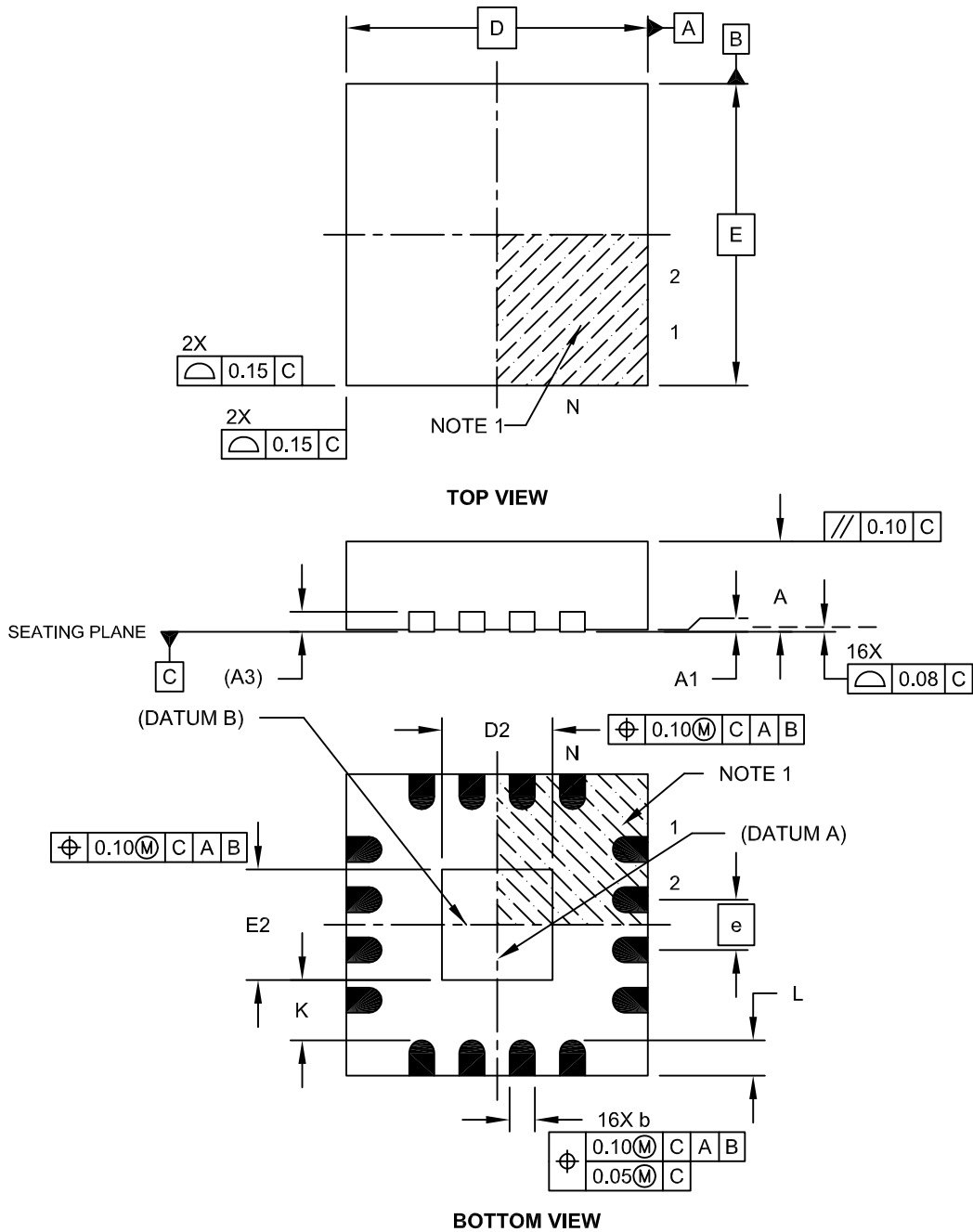
**Note:** In the event the full Microchip part number cannot be marked on one line, it will be carried over to the next line, thus limiting the number of available characters for customer-specific information. Package may or may not include the corporate logo.

Underbar ( \_ ) and/or Overbar ( ¯ ) symbol may not be to scale.

# MCP23009/MCP23S09

## 16-Lead Plastic Quad Flat, No Lead Package (MG) - 3x3x0.9 mm Body [QFN]

**Note:** For the most current package drawings, please see the Microchip Packaging Specification located at <http://www.microchip.com/packaging>

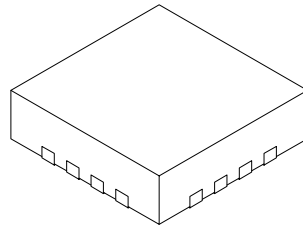


Microchip Technology Drawing C04-142A Sheet 1 of 2

# MCP23009/MCP23S09

## 16-Lead Plastic Quad Flat, No Lead Package (MG) - 3x3x0.9 mm Body [QFN]

**Note:** For the most current package drawings, please see the Microchip Packaging Specification located at <http://www.microchip.com/packaging>



Dimension Limits	Units	MILLIMETERS		
		MIN	NOM	MAX
Number of Pins	N	16		
Pitch	e	0.50 BSC		
Overall Height	A	0.80	0.85	0.90
Standoff	A1	0.00	0.02	0.05
Contact Thickness	A3	0.20 REF		
Overall Width	E	3.00 BSC		
Exposed Pad Width	E2	1.00	1.10	1.50
Overall Length	D	3.00 BSC		
Exposed Pad Length	D2	1.00	1.10	1.50
Contact Width	b	0.18	0.25	0.30
Contact Length	L	0.25	0.35	0.45
Contact-to-Exposed Pad	K	0.20	-	-

**Notes:**

1. Pin 1 visual index feature may vary, but must be located within the hatched area.
2. Package is saw singulated.
3. Dimensioning and tolerancing per ASME Y14.5M.

BSC: Basic Dimension. Theoretically exact value shown without tolerances.

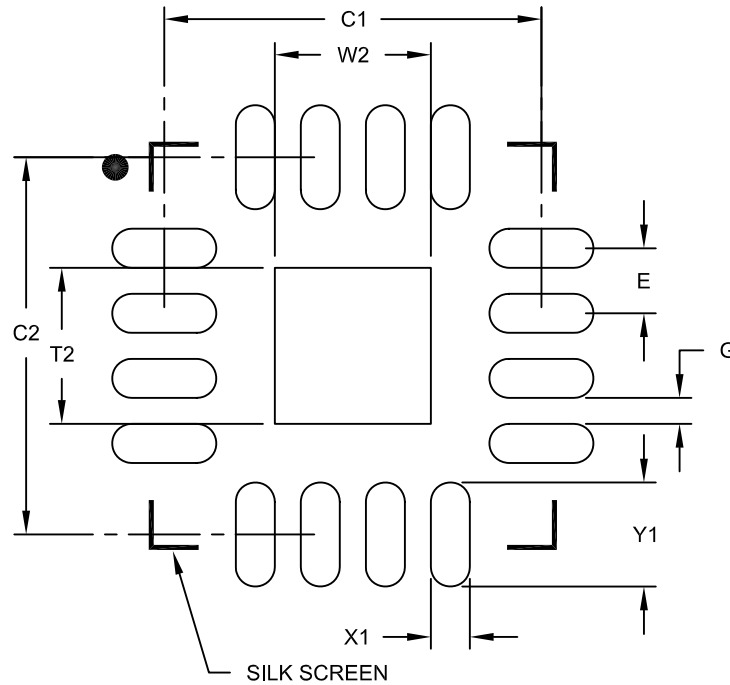
REF: Reference Dimension, usually without tolerance, for information purposes only.

Microchip Technology Drawing C04-142A Sheet 2 of 2

# MCP23009/MCP23S09

16-Lead Plastic Quad Flat, No Lead Package (MG) – 3x3x0.9 mm Body [QFN]

**Note:** For the most current package drawings, please see the Microchip Packaging Specification located at <http://www.microchip.com/packaging>



RECOMMENDED LAND PATTERN

Dimension Limits	Units	MILLIMETERS		
		MIN	NOM	MAX
Contact Pitch	E	0.50 BSC		
Optional Center Pad Width	W2			1.20
Optional Center Pad Length	T2			1.20
Contact Pad Spacing	C1		2.90	
Contact Pad Spacing	C2		2.90	
Contact Pad Width (X16)	X1			0.30
Contact Pad Length (X16)	Y1			0.80
Distance Between Pads	G	0.20		

**Notes:**

1. Dimensioning and tolerancing per ASME Y14.5M

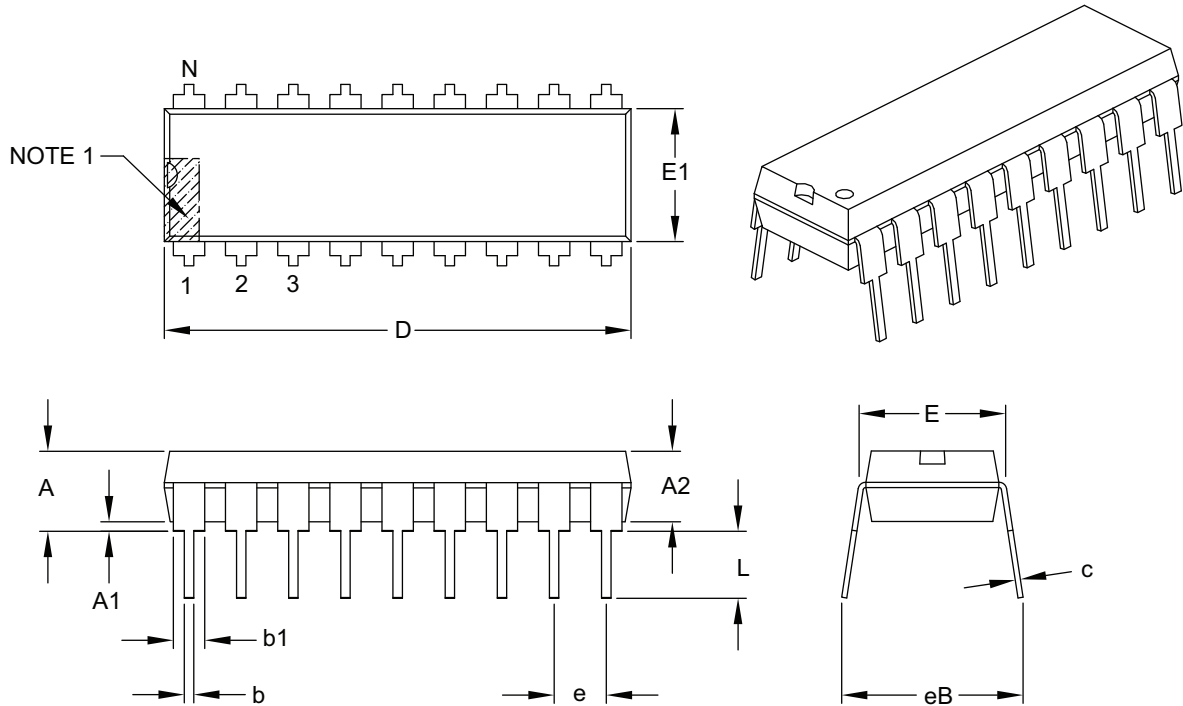
BSC: Basic Dimension. Theoretically exact value shown without tolerances.

Microchip Technology Drawing No. C04-2142A

# MCP23009/MCP23S09

## 18-Lead Plastic Dual In-Line (P) – 300 mil Body [PDIP]

**Note:** For the most current package drawings, please see the Microchip Packaging Specification located at <http://www.microchip.com/packaging>



Dimension Limits	Units	INCHES		
		MIN	NOM	MAX
Number of Pins	N	18		
Pitch	e	.100 BSC		
Top to Seating Plane	A	–	–	.210
Molded Package Thickness	A2	.115	.130	.195
Base to Seating Plane	A1	.015	–	–
Shoulder to Shoulder Width	E	.300	.310	.325
Molded Package Width	E1	.240	.250	.280
Overall Length	D	.880	.900	.920
Tip to Seating Plane	L	.115	.130	.150
Lead Thickness	c	.008	.010	.014
Upper Lead Width	b1	.045	.060	.070
Lower Lead Width	b	.014	.018	.022
Overall Row Spacing §	eB	–	–	.430

**Notes:**

1. Pin 1 visual index feature may vary, but must be located within the hatched area.
2. § Significant Characteristic.
3. Dimensions D and E1 do not include mold flash or protrusions. Mold flash or protrusions shall not exceed .010" per side.
4. Dimensioning and tolerancing per ASME Y14.5M.

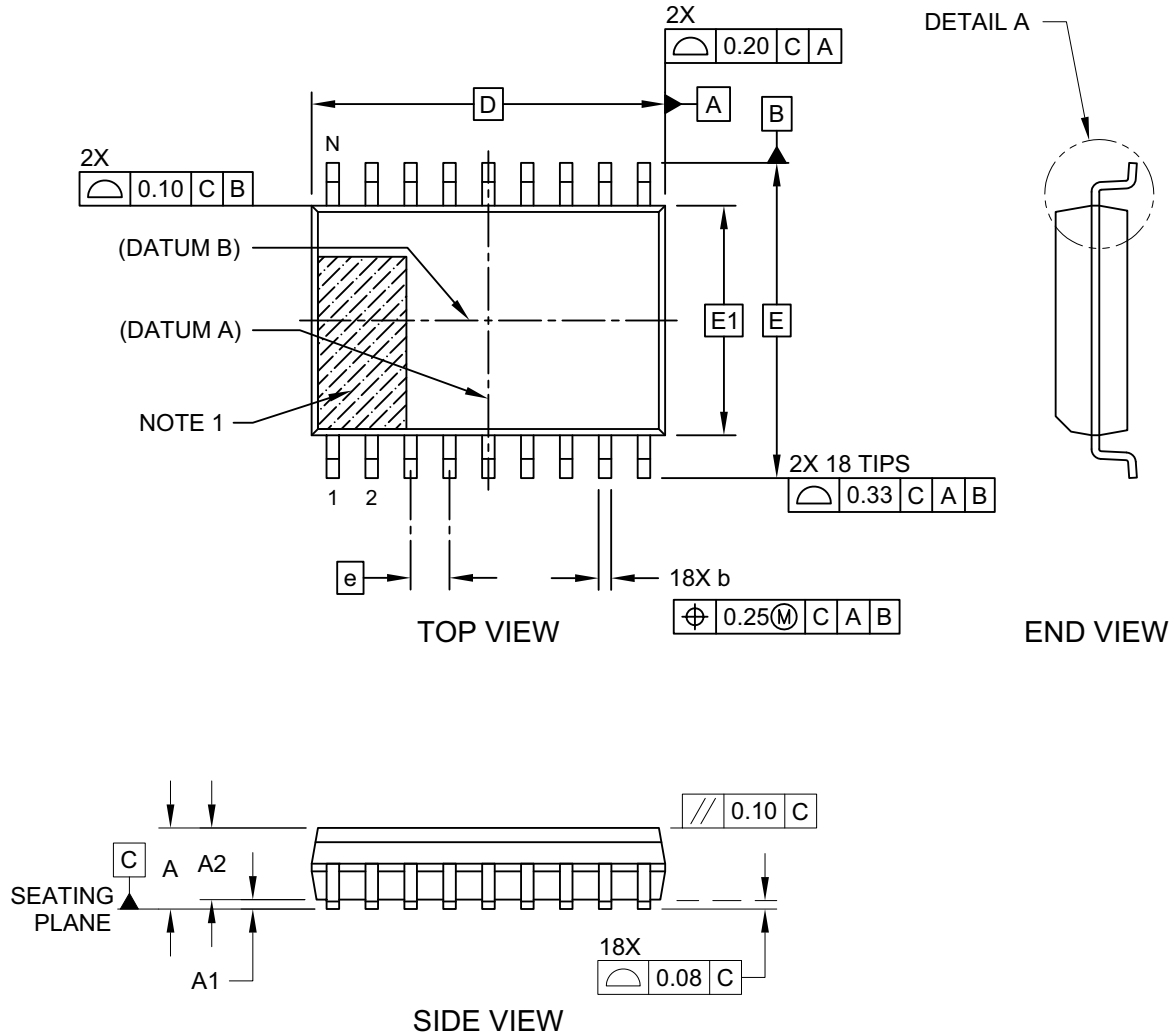
BSC: Basic Dimension. Theoretically exact value shown without tolerances.

Microchip Technology Drawing C04-007B

# MCP23009/MCP23S09

## 18-Lead Plastic Small Outline (SO) - Wide, 7.50 mm (.300 In.) Body [SOIC]

**Note:** For the most current package drawings, please see the Microchip Packaging Specification located at <http://www.microchip.com/packaging>

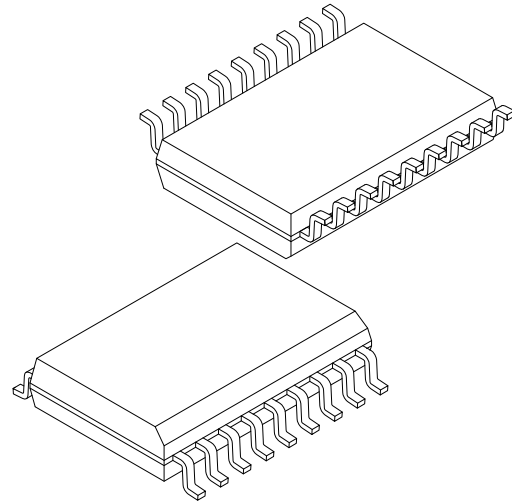
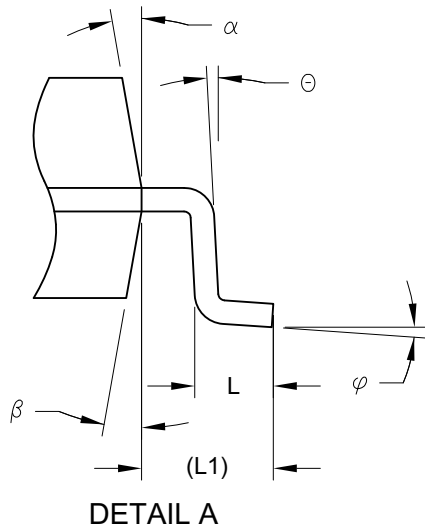


Microchip Technology Drawing C04-051D Sheet 1 of 2

# MCP23009/MCP23S09

## 18-Lead Plastic Small Outline (SO) - Wide, 7.50 mm (.300 In.) Body [SOIC]

**Note:** For the most current package drawings, please see the Microchip Packaging Specification located at <http://www.microchip.com/packaging>



Dimension Limits	Units	MILLIMETERS		
		MIN	NOM	MAX
Number of Pins	N	18		
Pitch	e	1.27 BSC		
Overall Height	A	-	-	2.65
Molded Package Thickness	A2	2.05	-	-
Standoff §	A1	0.10	-	0.30
Overall Width	E	10.30 BSC		
Molded Package Width	E1	7.50 BSC		
Overall Length	D	11.55 BSC		
Chamfer (Optional)	h	0.25	-	0.75
Foot Length	L	0.40	-	1.27
Footprint	L1	1.40 REF		
Lead Angle	θ	0°	-	-
Foot Angle	φ	0°	-	8°
Lead Thickness	c	0.20	-	0.33
Lead Width	b	0.31	-	0.51
Mold Draft Angle Top	α	5°	-	15°
Mold Draft Angle Bottom	β	5°	-	15°

**Notes:**

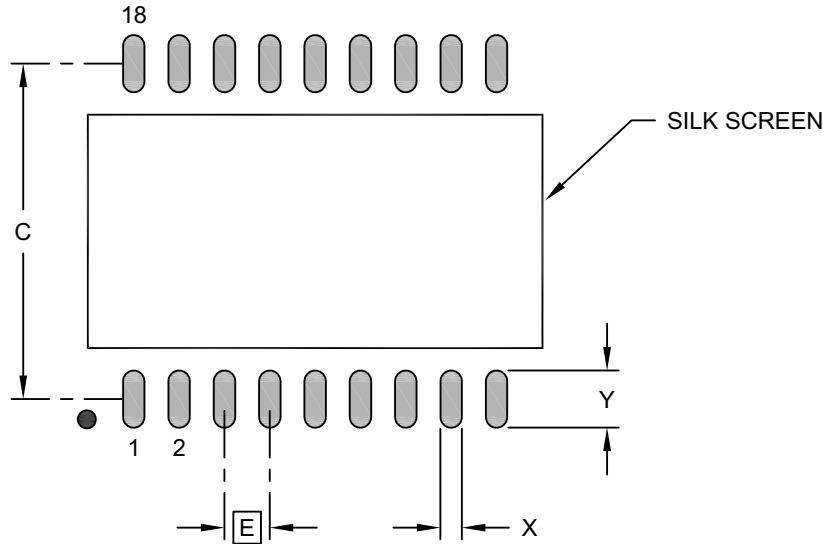
- Pin 1 visual index feature may vary, but must be located within the hatched area.
- § Significant Characteristic
- Dimension D does not include mold flash, protrusions or gate burrs, which shall not exceed 0.15 mm per end. Dimension E1 does not include interlead flash or protrusion, which shall not exceed 0.25 mm per side.
- Dimensioning and tolerancing per ASME Y14.5M  
BSC: Basic Dimension. Theoretically exact value shown without tolerances.  
REF: Reference Dimension, usually without tolerance, for information purposes only.
- Datums A & B to be determined at Datum H.

Microchip Technology Drawing No. C04-051D Sheet 2 of 2

# MCP23009/MCP23S09

## 18-Lead Plastic Small Outline (SO) - Wide, 7.50 mm (.300 In.) Body [SOIC]

**Note:** For the most current package drawings, please see the Microchip Packaging Specification located at <http://www.microchip.com/packageing>



### RECOMMENDED LAND PATTERN

Dimension Limits	Units	MILLIMETERS		
		MIN	NOM	MAX
Contact Pitch	E	1.27 BSC		
Contact Pad Spacing	C		9.40	
Contact Pad Spacing				
Contact Pad Width (X18)	X			0.60
Contact Pad Length (X18)	Y			1.90

**Notes:**

1. Dimensioning and tolerancing per ASME Y14.5M  
BSC: Basic Dimension. Theoretically exact value shown without tolerances.

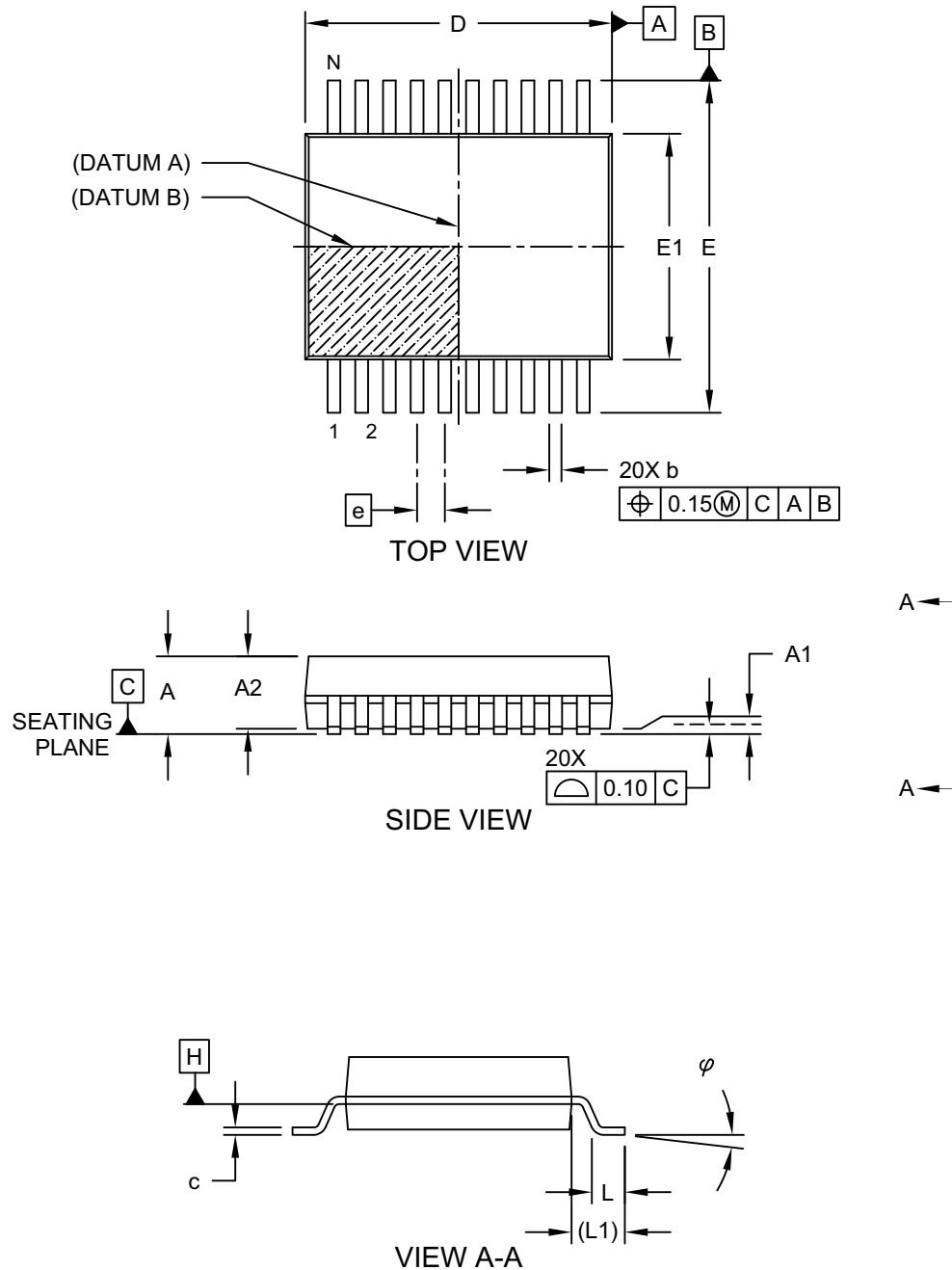
Microchip Technology Drawing C04-2051A



# MCP23009/MCP23S09

## 20-Lead Plastic Shrink Small Outline (SS) - 5.30 mm Body [SSOP]

**Note:** For the most current package drawings, please see the Microchip Packaging Specification located at <http://www.microchip.com/packaging>

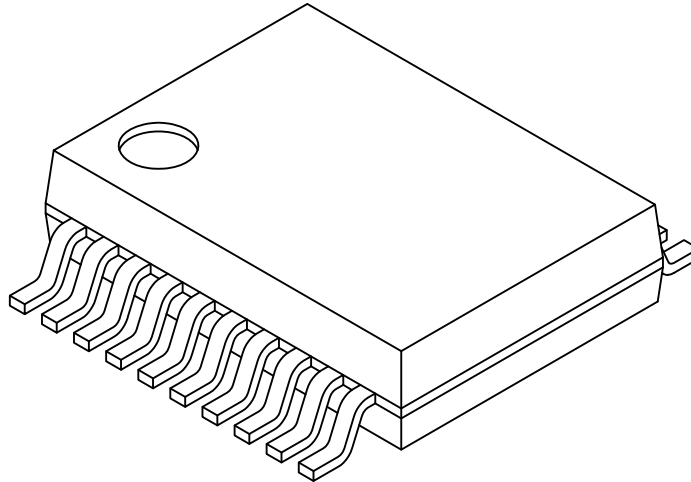


Microchip Technology Drawing C04-072 Rev C Sheet 1 of 2

# MCP23009/MCP23S09

## 20-Lead Plastic Shrink Small Outline (SS) - 5.30 mm Body [SSOP]

**Note:** For the most current package drawings, please see the Microchip Packaging Specification located at <http://www.microchip.com/packaging>



Units		MILLIMETERS		
Dimension Limits		MIN	NOM	MAX
Number of Pins	N	20		
Pitch	e	0.65 BSC		
Overall Height	A	-	-	2.00
Molded Package Thickness	A2	1.65	1.75	1.85
Standoff	A1	0.05	-	-
Overall Width	E	7.40	7.80	8.20
Molded Package Width	E1	5.00	5.30	5.60
Overall Length	D	6.90	7.20	7.50
Foot Length	L	0.55	0.75	0.95
Footprint	L1	1.25 REF		
Lead Thickness	c	0.09	-	0.25
Foot Angle	$\varphi$	0°	4°	8°
Lead Width	b	0.22	-	0.38

### Notes:

1. Pin 1 visual index feature may vary, but must be located within the hatched area.
2. Dimensions D and E1 do not include mold flash or protrusions. Mold flash or protrusions shall not exceed 0.20mm per side.
3. Dimensioning and tolerancing per ASME Y14.5M

BSC: Basic Dimension. Theoretically exact value shown without tolerances.

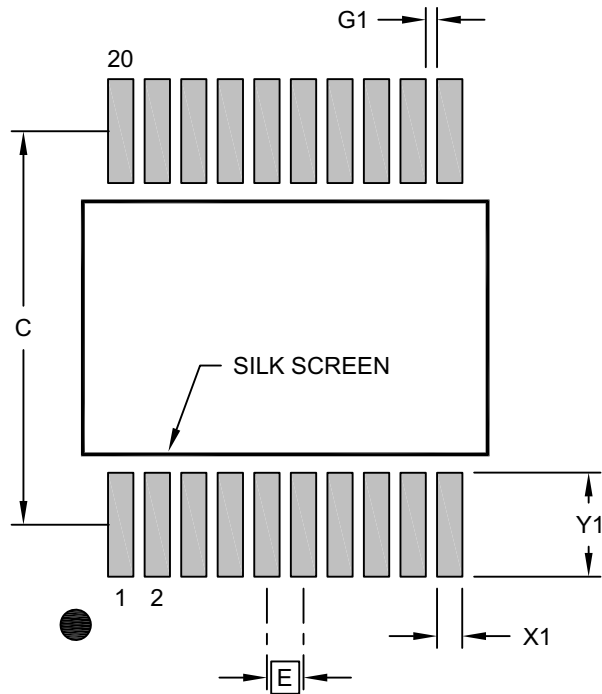
REF: Reference Dimension, usually without tolerance, for information purposes only.

Microchip Technology Drawing C04-072 Rev C Sheet 2 of 2

# MCP23009/MCP23S09

## 20-Lead Plastic Shrink Small Outline (SS) - 5.30 mm Body [SSOP]

**Note:** For the most current package drawings, please see the Microchip Packaging Specification located at <http://www.microchip.com/packaging>



### RECOMMENDED LAND PATTERN

Dimension Limits	Units	MILLIMETERS		
		MIN	NOM	MAX
Contact Pitch	E	0.65 BSC		
Contact Pad Spacing	C		7.00	
Contact Pad Width (X20)	X1			0.45
Contact Pad Length (X20)	Y1			1.85
Contact Pad to Center Pad (X18)	G1	0.20		

#### Notes:

- Dimensioning and tolerancing per ASME Y14.5M  
BSC: Basic Dimension. Theoretically exact value shown without tolerances.
- For best soldering results, thermal vias, if used, should be filled or tented to avoid solder loss during reflow process

Microchip Technology Drawing C04-2072 Rev C

# MCP23009/MCP23S09

---

## APPENDIX A: REVISION HISTORY

### Revision D (August 2022)

- Added information about the Automotive Qualification status of the device in [Section “Features”](#).
- Clarified [Section 3.1 “Package Marking Information”](#) to more closely match manufacturing standards.
- Updated [Section “Product Identification System”](#), with Automotive Qualified devices.
- Minor text and format changes throughout.

### Revision C (August 2014)

- Added ESD data in the [Absolute Maximum Ratings \(†\)](#) section.
- Updated [Figure 1-1](#).
- Updated the [DC Characteristics](#) table.
- Updated the [Package Marking Information](#) section.
- Minor typographical changes.

### Revision B (May 2009)

- Added the 3x3 QFN package (MG package marking).
- Updated Revision History.

### Revision A (December 2008)

- Original Release of this Document.

# MCP23009/MCP23S09

## PRODUCT IDENTIFICATION SYSTEM

To order or obtain information, e.g., on pricing or delivery, refer to the factory or the listed sales office.

<u>PART NO.</u>	<u>X</u>	<u>XX</u>	<u>XXX</u>	<b>Examples:</b>
Device	Temperature Range	Package	Qualification	
<b>Device:</b>	MCP23009:	8-Bit I/O Expander w/ I <sup>2</sup> C™ Interface		a) MCP23009-E/MG: Extended Temperature, 16-Lead QFN package
	MCP23009T:	8-Bit I/O Expander w/ I <sup>2</sup> C™ Interface (Tape and Reel)		b) MCP23009-E/P: Extended Temperature, 18-Lead PDIP package
	MCP23S09:	8-Bit I/O Expander w/ SPI Interface		c) MCP23009-E/SO: Extended Temperature, 18-Lead SOIC package
	MCP23S09T:	8-Bit I/O Expander w/ SPI Interface (Tape and Reel)		d) MCP23009T-E/SO: Tape and Reel, Extended Temperature, 18-Lead SOIC package
<b>Temperature Range:</b>	E	= -40°C to +125°C (Extended)		e) MCP23009-E/SS: Extended Temperature, 20-Lead SSOP package
<b>Package:</b>	MG	= Plastic Quad Flat, No Lead Package – 3x3x0.9 mm Body, 16-Lead		f) MCP23009T-E/SS: Tape and Reel, Extended Temperature, 20-Lead SSOP package
	P	= Plastic Dual In-Line – 300 mil Body, 18-Lead		g) MCP23009-E/MGVAO: Extended Temperature, 16-Lead QFN package, Automotive Qualified
	SO	= Plastic Small Outline – Wide, 7.50 mm Body, 18-Lead		h) MCP23009T-E/MGVAO: Tape and Reel, Extended Temperature, 16-Lead QFN package, Automotive Qualified
	SS	= Lead Plastic Shrink Small Outline – 5.30 mm Body, 20-Lead		i) MCP23S09-E/MG: Extended Temperature, 16-Lead QFN package
<b>Qualification:</b>	<Blank>	= Standard Part		j) MCP23S09T-E/MG: Tape and Reel, Extended Temperature, 16-Lead QFN package
	VAO	= Automotive AEC-Q100 Qualified		k) MCP23S09-E/P: Extended Temperature, 18-Lead PDIP package
				l) MCP23S09-E/SO: Extended Temperature, 18-Lead SOIC package
				m) MCP23S09T-E/SO: Tape and Reel, Extended Temperature, 18-Lead SOIC package
				<b>Note 1:</b> Tape and Reel identifier only appears in the catalog part number description. This identifier is used for ordering purposes and is not printed on the device package. Check with your Microchip Sales Office for package availability with the Tape and Reel option.

---

---

**Note the following details of the code protection feature on Microchip products:**

- Microchip products meet the specifications contained in their particular Microchip Data Sheet.
- Microchip believes that its family of products is secure when used in the intended manner, within operating specifications, and under normal conditions.
- Microchip values and aggressively protects its intellectual property rights. Attempts to breach the code protection features of Microchip product is strictly prohibited and may violate the Digital Millennium Copyright Act.
- Neither Microchip nor any other semiconductor manufacturer can guarantee the security of its code. Code protection does not mean that we are guaranteeing the product is "unbreakable" Code protection is constantly evolving. Microchip is committed to continuously improving the code protection features of our products.

---

This publication and the information herein may be used only with Microchip products, including to design, test, and integrate Microchip products with your application. Use of this information in any other manner violates these terms. Information regarding device applications is provided only for your convenience and may be superseded by updates. It is your responsibility to ensure that your application meets with your specifications. Contact your local Microchip sales office for additional support or, obtain additional support at <https://www.microchip.com/en-us/support/design-help/client-support-services>.

THIS INFORMATION IS PROVIDED BY MICROCHIP "AS IS". MICROCHIP MAKES NO REPRESENTATIONS OR WARRANTIES OF ANY KIND WHETHER EXPRESS OR IMPLIED, WRITTEN OR ORAL, STATUTORY OR OTHERWISE, RELATED TO THE INFORMATION INCLUDING BUT NOT LIMITED TO ANY IMPLIED WARRANTIES OF NON-INFRINGEMENT, MERCHANTABILITY, AND FITNESS FOR A PARTICULAR PURPOSE, OR WARRANTIES RELATED TO ITS CONDITION, QUALITY, OR PERFORMANCE.

IN NO EVENT WILL MICROCHIP BE LIABLE FOR ANY INDIRECT, SPECIAL, PUNITIVE, INCIDENTAL, OR CONSEQUENTIAL LOSS, DAMAGE, COST, OR EXPENSE OF ANY KIND WHATSOEVER RELATED TO THE INFORMATION OR ITS USE, HOWEVER CAUSED, EVEN IF MICROCHIP HAS BEEN ADVISED OF THE POSSIBILITY OR THE DAMAGES ARE FORESEEABLE. TO THE FULLEST EXTENT ALLOWED BY LAW, MICROCHIP'S TOTAL LIABILITY ON ALL CLAIMS IN ANY WAY RELATED TO THE INFORMATION OR ITS USE WILL NOT EXCEED THE AMOUNT OF FEES, IF ANY, THAT YOU HAVE PAID DIRECTLY TO MICROCHIP FOR THE INFORMATION.

Use of Microchip devices in life support and/or safety applications is entirely at the buyer's risk, and the buyer agrees to defend, indemnify and hold harmless Microchip from any and all damages, claims, suits, or expenses resulting from such use. No licenses are conveyed, implicitly or otherwise, under any Microchip intellectual property rights unless otherwise stated.

For information regarding Microchip's Quality Management Systems, please visit [www.microchip.com/quality](http://www.microchip.com/quality).

**Trademarks**

The Microchip name and logo, the Microchip logo, Adaptec, AVR, AVR logo, AVR Freaks, BesTime, BitCloud, CryptoMemory, CryptoRF, dsPIC, flexPWR, HELDO, IGLoo, JukeBlox, KeeLoq, Klear, LANCheck, LinkMD, maXStylus, maXTouch, MediaLB, megaAVR, Microsemi, Microsemi logo, MOST, MOST logo, MPLAB, OptoLyzer, PIC, picoPower, PICSTART, PIC32 logo, PolarFire, Prochip Designer, QTouch, SAM-BA, SenGenuity, SpyNIC, SST, SST Logo, SuperFlash, Symmetricom, SyncServer, Tachyon, TimeSource, tinyAVR, UNI/O, Vectron, and XMEGA are registered trademarks of Microchip Technology Incorporated in the U.S.A. and other countries.

AgileSwitch, APT, ClockWorks, The Embedded Control Solutions Company, EtherSynch, Flashtec, Hyper Speed Control, HyperLight Load, Libero, motorBench, mTouch, Powermite 3, Precision Edge, ProASIC, ProASIC Plus, ProASIC Plus logo, Quiet-Wire, SmartFusion, SyncWorld, Temux, TimeCesium, TimeHub, TimePictra, TimeProvider, TrueTime, and ZL are registered trademarks of Microchip Technology Incorporated in the U.S.A.

Adjacent Key Suppression, AKS, Analog-for-the-Digital Age, Any Capacitor, AnyIn, AnyOut, Augmented Switching, BlueSky, BodyCom, Clockstudio, CodeGuard, CryptoAuthentication, CryptoAutomotive, CryptoCompanion, CryptoController, dsPICDEM, dsPICDEM.net, Dynamic Average Matching, DAM, ECAN, Espresso T1S, EtherGREEN, GridTime, IdealBridge, In-Circuit Serial Programming, ICSP, INICnet, Intelligent Paralleling, IntelliMOS, Inter-Chip Connectivity, JitterBlocker, Knob-on-Display, KoD, maxCrypto, maxView, memBrain, Mindi, MiWi, MPASM, MPF, MPLAB Certified logo, MPLIB, MPLINK, MultiTRAK, NetDetach, Omniscient Code Generation, PICDEM, PICDEM.net, PICkit, PICtail, PowerSmart, PureSilicon, QMatrix, REAL ICE, Ripple Blocker, RTAX, RTG4, SAM-ICE, Serial Quad I/O, simpleMAP, SimpliPHY, SmartBuffer, SmartHLS, SMART-I.S., storClad, SQI, SuperSwitcher, SuperSwitcher II, Switchtec, SynchroPHY, Total Endurance, Trusted Time, TSHARC, USBCheck, VariSense, VectorBlox, VeriPHY, ViewSpan, WiperLock, XpressConnect, and ZENA are trademarks of Microchip Technology Incorporated in the U.S.A. and other countries.

SQTP is a service mark of Microchip Technology Incorporated in the U.S.A.

The Adaptec logo, Frequency on Demand, Silicon Storage Technology, and Symmcom are registered trademarks of Microchip Technology Inc. in other countries.

GestIC is a registered trademark of Microchip Technology Germany II GmbH & Co. KG, a subsidiary of Microchip Technology Inc., in other countries.

All other trademarks mentioned herein are property of their respective companies.

© 2009-2022, Microchip Technology Incorporated and its subsidiaries.

All Rights Reserved.

ISBN: 978-1-6683-0329-0



# MICROCHIP

## Worldwide Sales and Service

### AMERICAS

#### Corporate Office

2355 West Chandler Blvd.

Chandler, AZ 85224-6199

Tel: 480-792-7200

Fax: 480-792-7277

Technical Support:

<http://www.microchip.com/support>

Web Address:

[www.microchip.com](http://www.microchip.com)

#### Atlanta

Duluth, GA

Tel: 678-957-9614

Fax: 678-957-1455

#### Austin, TX

Tel: 512-257-3370

#### Boston

Westborough, MA

Tel: 774-760-0087

Fax: 774-760-0088

#### Chicago

Itasca, IL

Tel: 630-285-0071

Fax: 630-285-0075

#### Dallas

Addison, TX

Tel: 972-818-7423

Fax: 972-818-2924

#### Detroit

Novi, MI

Tel: 248-848-4000

#### Houston, TX

Tel: 281-894-5983

#### Indianapolis

Noblesville, IN

Tel: 317-773-8323

Fax: 317-773-5453

Tel: 317-536-2380

#### Los Angeles

Mission Viejo, CA

Tel: 949-462-9523

Fax: 949-462-9608

Tel: 951-273-7800

#### Raleigh, NC

Tel: 919-844-7510

#### New York, NY

Tel: 631-435-6000

#### San Jose, CA

Tel: 408-735-9110

Tel: 408-436-4270

#### Canada - Toronto

Tel: 905-695-1980

Fax: 905-695-2078

### ASIA/PACIFIC

#### Australia - Sydney

Tel: 61-2-9868-6733

#### China - Beijing

Tel: 86-10-8569-7000

#### China - Chengdu

Tel: 86-28-8665-5511

#### China - Chongqing

Tel: 86-23-8980-9588

#### China - Dongguan

Tel: 86-769-8702-9880

#### China - Guangzhou

Tel: 86-20-8755-8029

#### China - Hangzhou

Tel: 86-571-8792-8115

#### China - Hong Kong SAR

Tel: 852-2943-5100

#### China - Nanjing

Tel: 86-25-8473-2460

#### China - Qingdao

Tel: 86-532-8502-7355

#### China - Shanghai

Tel: 86-21-3326-8000

#### China - Shenyang

Tel: 86-24-2334-2829

#### China - Shenzhen

Tel: 86-755-8864-2200

#### China - Suzhou

Tel: 86-186-6233-1526

#### China - Wuhan

Tel: 86-27-5980-5300

#### China - Xian

Tel: 86-29-8833-7252

#### China - Xiamen

Tel: 86-592-2388138

#### China - Zhuhai

Tel: 86-756-3210040

### ASIA/PACIFIC

#### India - Bangalore

Tel: 91-80-3090-4444

#### India - New Delhi

Tel: 91-11-4160-8631

#### India - Pune

Tel: 91-20-4121-0141

#### Japan - Osaka

Tel: 81-6-6152-7160

#### Japan - Tokyo

Tel: 81-3-6880-3770

#### Korea - Daegu

Tel: 82-53-744-4301

#### Korea - Seoul

Tel: 82-2-554-7200

#### Malaysia - Kuala Lumpur

Tel: 60-3-7651-7906

#### Malaysia - Penang

Tel: 60-4-227-8870

#### Philippines - Manila

Tel: 63-2-634-9065

#### Singapore

Tel: 65-6334-8870

#### Taiwan - Hsin Chu

Tel: 886-3-577-8366

#### Taiwan - Kaohsiung

Tel: 886-7-213-7830

#### Taiwan - Taipei

Tel: 886-2-2508-8600

#### Thailand - Bangkok

Tel: 66-2-694-1351

#### Vietnam - Ho Chi Minh

Tel: 84-28-5448-2100

### EUROPE

#### Austria - Wels

Tel: 43-7242-2244-39

Fax: 43-7242-2244-393

#### Denmark - Copenhagen

Tel: 45-4485-5910

Fax: 45-4485-2829

#### Finland - Espoo

Tel: 358-9-4520-820

#### France - Paris

Tel: 33-1-69-53-63-20

Fax: 33-1-69-30-90-79

#### Germany - Garching

Tel: 49-8931-9700

#### Germany - Haan

Tel: 49-2129-3766400

#### Germany - Heilbronn

Tel: 49-7131-72400

#### Germany - Karlsruhe

Tel: 49-721-625370

#### Germany - Munich

Tel: 49-89-627-144-0

Fax: 49-89-627-144-44

#### Germany - Rosenheim

Tel: 49-8031-354-560

#### Israel - Ra'anana

Tel: 972-9-744-7705

#### Italy - Milan

Tel: 39-0331-742611

Fax: 39-0331-466781

#### Italy - Padova

Tel: 39-049-7625286

#### Netherlands - Drunen

Tel: 31-416-690399

Fax: 31-416-690340

#### Norway - Trondheim

Tel: 47-7288-4388

#### Poland - Warsaw

Tel: 48-22-3325737

#### Romania - Bucharest

Tel: 40-21-407-87-50

#### Spain - Madrid

Tel: 34-91-708-08-90

Fax: 34-91-708-08-91

#### Sweden - Gothenberg

Tel: 46-31-704-60-40

#### Sweden - Stockholm

Tel: 46-8-5090-4654

#### UK - Wokingham

Tel: 44-118-921-5800

Fax: 44-118-921-5820

Affected Catalog Part Numbers(CPN)

MCP23009-E/SO  
MCP23009-E/P  
MCP23009-E/SS  
MCP23009-E/MG  
MCP23009-E/MGVAO  
MCP23009T-E/SO  
MCP23009T-E/SS  
MCP23009T-E/MG  
MCP23009T-E/MGVAO  
MCP23S09-E/SO  
MCP23S09-E/P  
MCP23S09-E/MG  
MCP23S09T-E/SO  
MCP23S09T-E/MG