

Product Change Notification

(Notification – P2207047-DI)

(IMO-AB-22-0072-1 / PC-MCU-A005A/E)

July 22, 2022

To: *Our Valued Distribution Customer*

The purpose of this notification is to communicate a product change of select Renesas Electronics America, Inc. (REA) devices.

This notification announces a change to the embossed tape (tape & reel) width of select RX100/200/600 devices in the 14x14mm LQFP package manufactured at Renesas Semiconductor (Beijing) Co., Ltd. (RSB). The tape width will change from 32mm to 24mm.

The pocket width, pocket depth, feed hole, dimension between feed hole and pocket center, reel width, and cover tape width change due to the change in tape width. See the appendix for details.

There is no impact to the part number, fit, form, specifications, characteristics, quality & reliability of the products.

Affected Products: A review of our records indicates the list of products in the appendix may affect your company.

Part numbers given in this list are for active part numbers in REA database at the time of this notification.

Key Dates:

Shipments from REA of devices in the new tape width begins. Cross shipments of product in the old and new tape width may occur for a period of time.
--

November 1, 2022

Response: No response is required. REA will consider this notification approved 30 days after its issue. If you anticipate volumes beyond your regular rate prior to the transition date, please contact your REA sales representative with a forecast of your requirements.

If the customer provides a timely acknowledgement, the customer shall have 90 days (an additional 60 days) from the date of receipt of this notification in which to make any objections to the notification. If the customer does not make any objections to this notification within 90 days of the receipt of the notification, then Renesas will consider the notification as approved. If customer cannot accept the notification, then the customer must provide Renesas with a last time buy demand and purchase order.

Please contact your REA sales representative for any questions or comments. Thank you for your attention.

Sincerely,

Renesas Electronics America, Inc.

Appendix A: Affected Part Numbers

Booking PN		
R5F51111ADFK#5A	R5F51306BGFP#50	R5F52317ADFP#50
R5F51111AGFK#5A	R5F51307ADFK#50	R5F52317AGFP#50
R5F51113ADFK#5A	R5F51307ADFP#50	R5F52318ADFP#50
R5F51113AGFK#5A	R5F51307AGFK#50	R5F52318AGFP#50
R5F51114ADFK#5A	R5F51307AGFP#50	R5F524T8ADFF#51
R5F51114AGFK#5A	R5F51308ADFK#50	R5F524T8ADFK#51
R5F51115ADFK#5A	R5F51308ADFP#50	R5F524T8ADFP#51
R5F51115AGFK#5A	R5F51308AGFK#50	R5F524T8AGFF#51
R5F5111JADFK#5A	R5F51308AGFP#50	R5F524T8AGFK#51
R5F5111JAGFK#5A	R5F51403ADFK#50	R5F524T8AGFP#51
R5F51135ADFP#5A	R5F51403AGFK#50	R5F524TAADFF#51
R5F51136ADFP#5A	R5F51405ADFK#50	R5F524TAADFK#51
R5F51137ADFP#5A	R5F51405AGFK#50	R5F524TAADFP#51
R5F51138ADFP#5A	R5F51405BDFK#50	R5F524TAAGFF#51
R5F51303ADFK#50	R5F51405BGFK#50	R5F524TAAGFK#51
R5F51303AGFK#50	R5F51406ADFK#50	R5F524TAAGFP#51
R5F51305ADFK#50	R5F51406AGFK#50	R5F524TBADFP#51
R5F51305ADFP#50	R5F51406BDFK#50	R5F524TBAGFP#51
R5F51305AGFK#50	R5F51406BGFK#50	R5F524TCADFP#51
R5F51305AGFP#50	R5F52107CGFP#50	R5F524TCAGFP#51
R5F51305BDFP#50	R5F52108CGFP#50	R5F524TEADFP#51
R5F51305BGFP#50	R5F52305ADFP#50	R5F524TEAGFP#51
R5F51306ADFK#50	R5F52305AGFP#50	R5F524UBADFP#50
R5F51306ADFP#50	R5F52306ADFP#50	R5F524UBAGFP#50
R5F51306AGFK#50	R5F52306AGFP#50	R5F524UCADFP#50
R5F51306AGFP#50	R5F52315ADFP#50	R5F524UCAGFP#50
R5F51306BDFK#50	R5F52315AGFP#50	R5F524UEADFP#50
R5F51306BDFP#50	R5F52316ADFP#50	R5F524UEAGFP#50
R5F51306BGFK#50	R5F52316AGFP#50	

Appendix B: Change Summary

Packing material	Item	Before	After
Emboss tape	Taping code	MTE3224H-100P6Q-A	E2424Q14RA
	Sprocket hole	Both side	One side
	Tape width	32mm	24mm
	Tape thickness	0.3mm	0.3mm
	Cavity size	17.3 ⁿ 17.3	16.5x16.5
	Cavity depth	1.55 ^m mm	1.4mm
	Distance between cavity centers	24mm	24mm
	Material	PS	PS
Reel	Reel diameter	330mm	330mm
	Core diameter	100mm	100mm
	Reel width	For 32-mm width tape	For 24-mm width tape

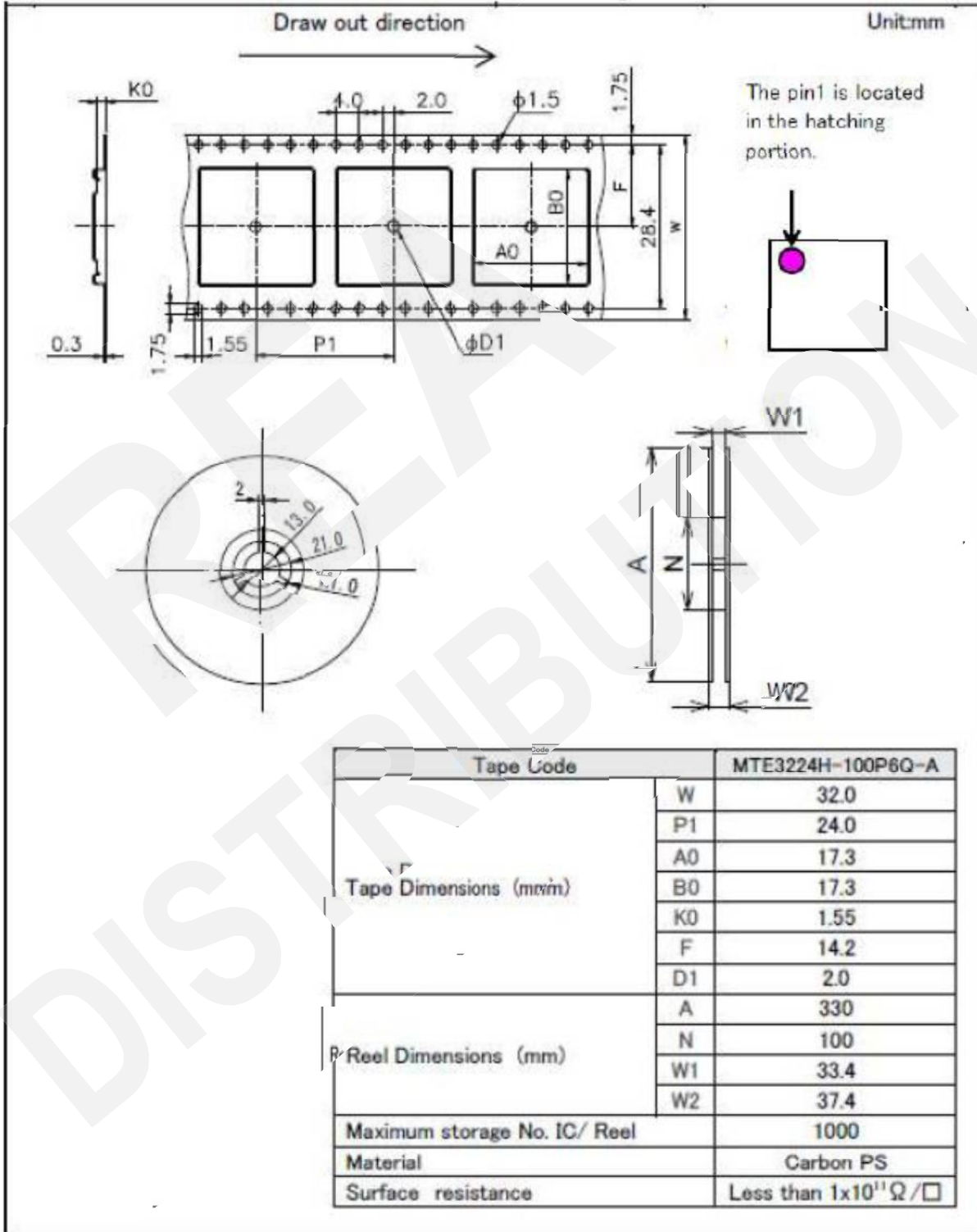
Appendix C: 4M Changing Points

Item	Check Result	Judgement
Machine	The same as current products.	No Risk
Method	The same as current products.	No Risk
Man (Operator)	The same as current products.	No Risk
Material	Only use certified materials. The products have been confirmed to be equivalent to current products and have no risk.	No Risk

Appendix D: Difference in Specifications (Comparison of Tape & Reel Dimension)

14mm x14mm Tape & Reel LQFP Packaging

Before (Width: 32mm)



Appendix D (cont.): Difference in Specifications (Comparison of Tape & Reel Dimension)

14mm x14mm Tape & Reel LQFP Packaging

After (Width: 24mm)

