

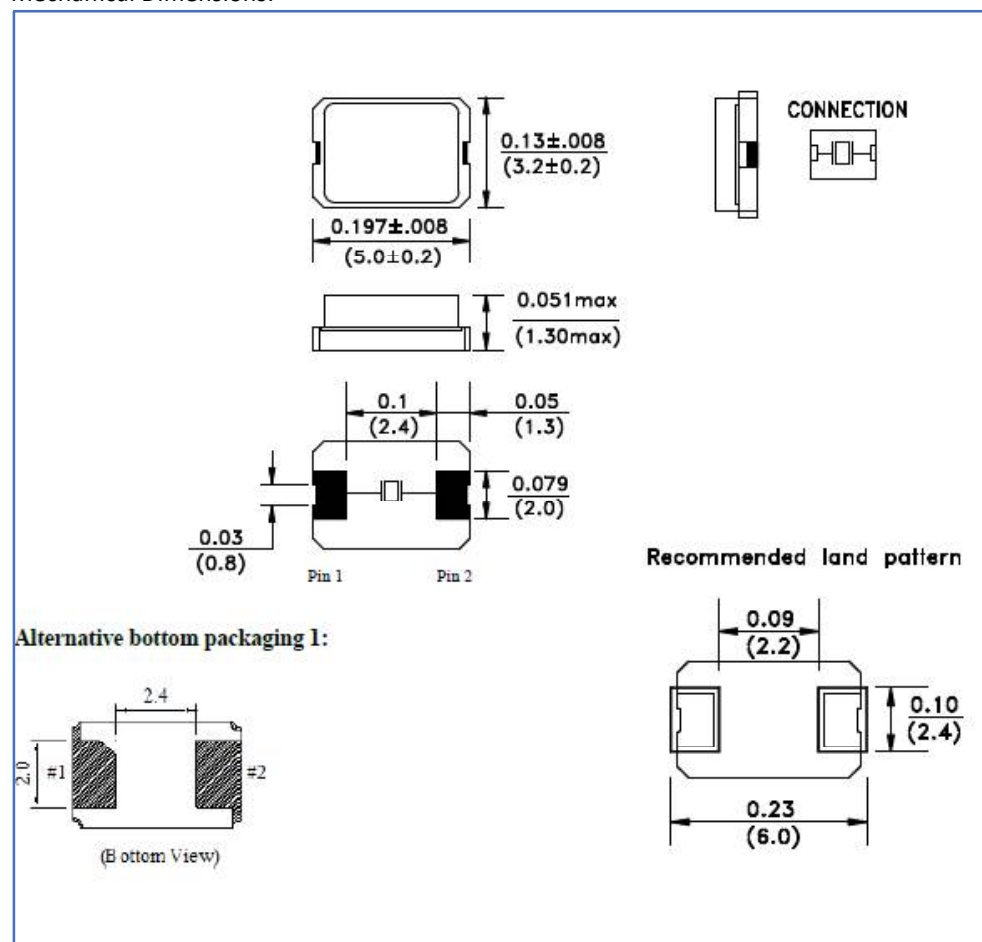
ECN/PCN No.: 4262

For Manufacturer

Product Description: Ceramic SMD Crystal	Abracon Part Number / Part Series: ABM3	<input type="checkbox"/> Documentation only <input checked="" type="checkbox"/> ECN <input type="checkbox"/> EOL	<input checked="" type="checkbox"/> Series <input type="checkbox"/> Part Number
Affected Revision: V	New Revision: W	Application: <input type="checkbox"/> Safety <input checked="" type="checkbox"/> Non-Safety	

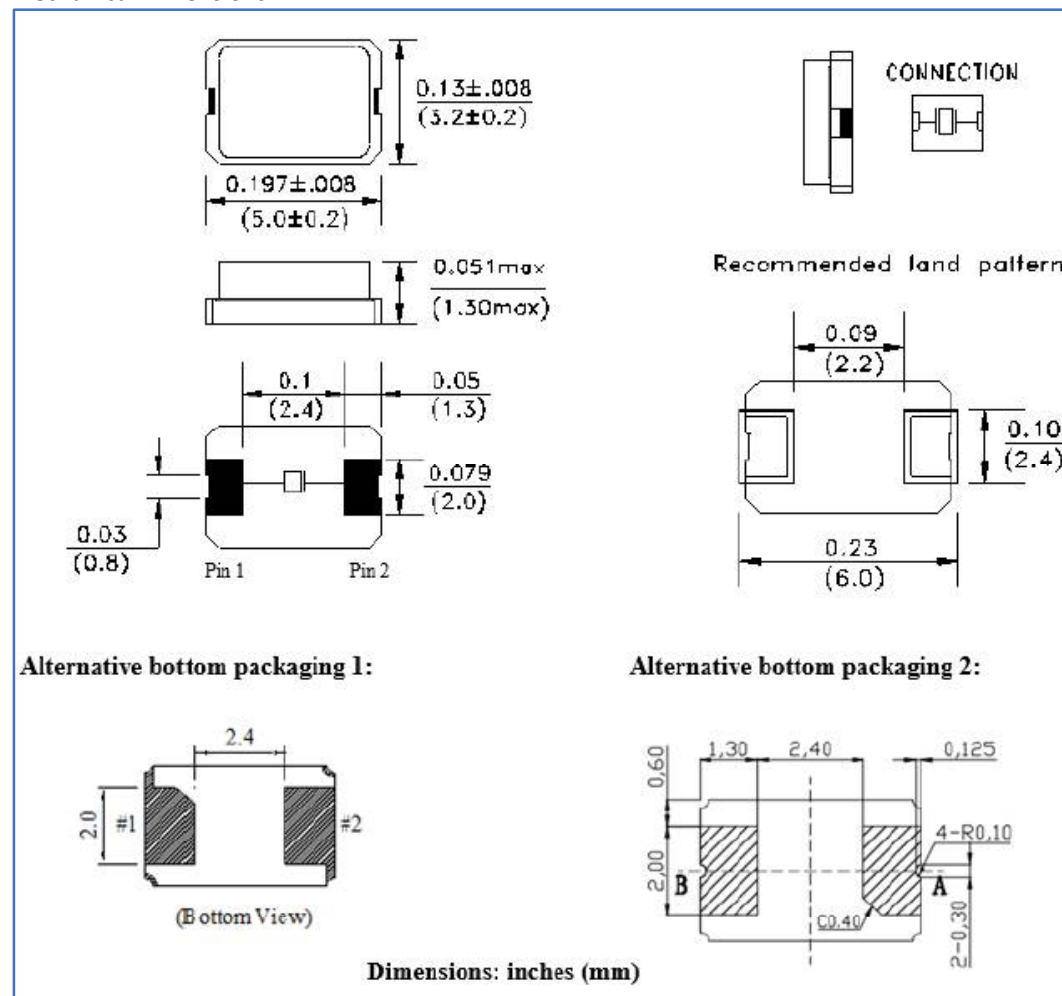
Prior to Change:

Mechanical Dimensions:



After Change:

Mechanical Dimensions:



Cause/Reason for Change:

Abracón introduced additional manufacturing sources to ensure product availability and to be in a better position to meet long term customer demand. Added an alternative bottom packaging structure to reflect the product produced by all manufacturing sources.

Change Plan

Effective Date: 04/25/2022	Additional Remarks: N/A
--------------------------------------	-----------------------------------

Change Declaration:
The added bottom packaging structure does not impact the electrical performance of the device.

Issued Date: 04/25/2022	Issued By: Brooke Cushman Product Engineer	Issued Department: Engineering
Approval: Thomas Culhane Engineering Director	Approval: Reuben Quintanilla Quality Director	Approval: Ying Huang Purchasing Director

For Abracon EOL only

Last Time Buy (if applicable): N/A	Alternate Part Number / Part Series: N/A	
Additional Approval: N/A	Additional Approval: N/A	Additional Approval: N/A

Customer Approval (If Applicable)**Qualification Status:** Approved Not accepted*Note: It is considered approved if there is no feedback from the customer 1 month after ECN/PCN is released.***Customer Part Number:****Customer Project:****Company Name:****Company Representative:****Representative Signature:****Customer Remarks:**

Ceramic SMD Crystal

ABM3

Request Samples



Check Inventory



5.0 x 3.2x 1.3 mm
RoHS/RoHS II Compliant
 MSL Level = N/A

Features

- AT-cut fundamental or 3rd OT mode
- Suitable for RoHS reflow profile
- Tight Stability available ± 10 ppm
- Ceramic package hermetically glass sealed assures high precision and reliability

Applications

- Communication and test equipment
- PCMCIA and wireless applications

Key Electrical Specifications

Parameters	Minimum	Typical	Maximum	Units	Notes
Frequency Range	8.000		54.000	MHz	Fundamental
	54.100		80.000		3 rd Overtone
Operation Mode	Fundamental or 3 rd Overtone				
Operating Temperature	-10		+60	°C	See options
Storage Temperature	-40		+90	°C	
Frequency Tolerance @+25°C	-50		+50	ppm	See options
Frequency Stability over the Operating Temperature (ref. to +25°C)	-50		+50	ppm	See options
Equivalent series resistance (R1)			140	Ω	$8.000 \leq F < 9.000$ (Fund)
			120		$9.000 \leq F < 10.000$ (Fund)
			60		$10.000 \leq F < 16.000$ (Fund)
			40		$16.000 \leq F < 20.000$ (Fund)
			30		$20.000 \leq F < 30.000$ (Fund)
			25		$30.000 \leq F \leq 54.000$ (Fund)
			60		$54.000 < F \leq 80.000$ (3 rd OT)
Shunt capacitance (C0)			7	pF	
Load capacitance (CL)	18			pF	Standard (See options if other than STD)
Drive Level		10	100	μ W	
Aging	-5		+5	ppm	@25°C \pm 3°C First year
Insulation Resistance	500			M Ω	@ 100Vdc \pm 15V

Ceramic SMD Crystal

ABM3

Request Samples

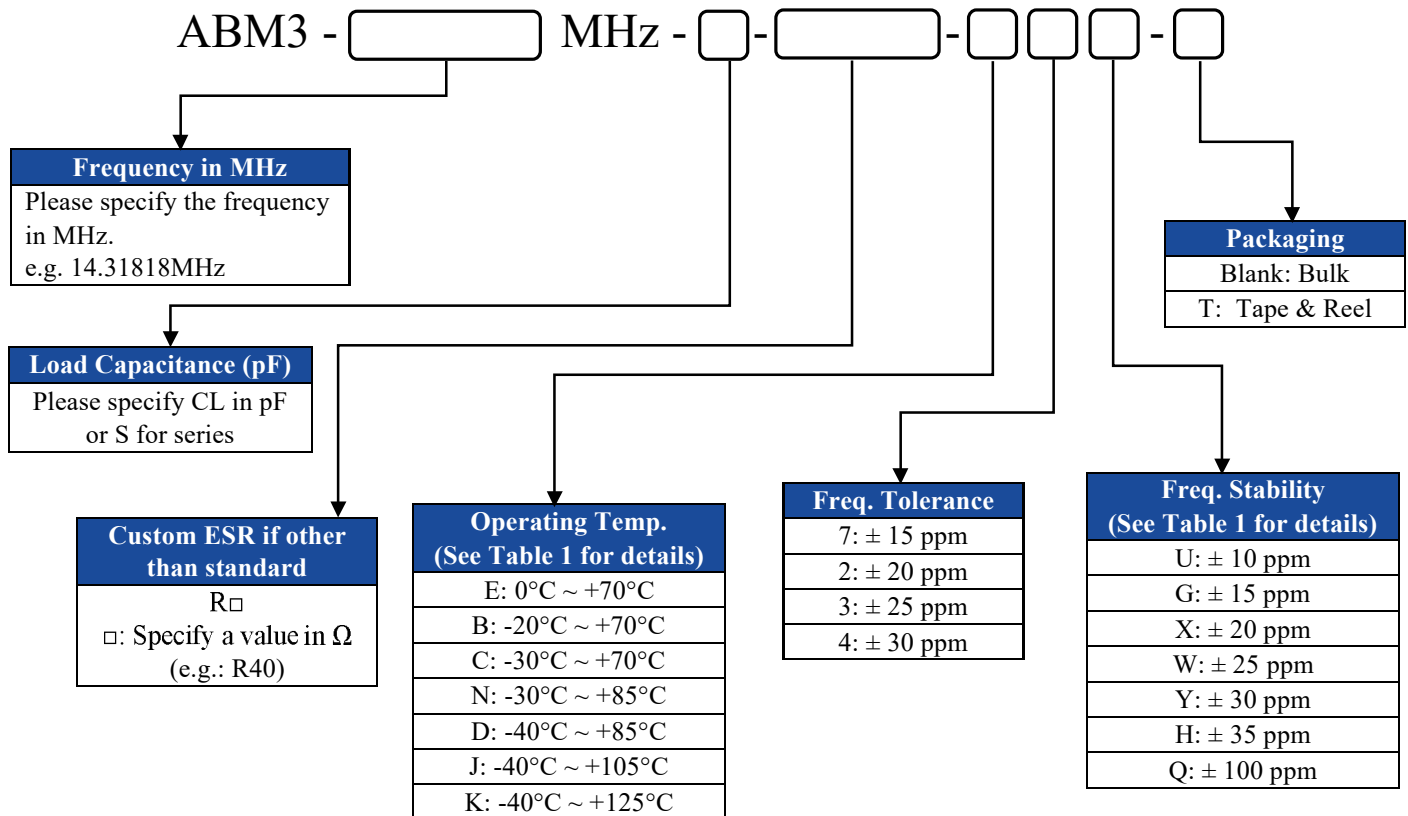


Check Inventory



5.0 x 3.2x 1.3 mm
RoHS/RoHS II Compliant
 MSL Level = N/A

Options and Part Identification (left blank if standard)



Note: See Table 1 for the availability of Operating Temp. and Freq. Stability combinations.

Table 1 Available Combinations of Operating Temp. and Freq. Stability

Operating Temp.	Freq. Stability							
	U:±10ppm	G:±15ppm	X:±20ppm	W:±25ppm	Y:±30ppm	H:±35ppm	Std:±50ppm	Q:±100ppm
Std: -10°C ~ +60°C	√	√	√	√	√	√	√	√
E: 0°C ~ +70°C	√	√	√	√	√	√	√	√
B: -20°C ~ +70°C	√	√	√	√	√	√	√	√
C: -30°C ~ +70°C		√	√	√	√	√	√	√
N: -30°C ~ +85°C		√	√	√	√	√	√	√
D: -40°C ~ +85°C			√	√	√	√	√	√
J: -40°C ~ +105°C					√	√	√	√
K: -40°C ~ +125°C							√	√



5101 Hidden Creek Ln Spicewood TX 78669
 Phone: 512-371-6159 | Fax: 512-351-8858
 For terms and conditions of sales, please visit:
www.abracon.com

REVISED: 04-25-22

ABRACON IS
 ISO9001-2015
 CERTIFIED

Ceramic SMD Crystal

ABM3

Request Samples

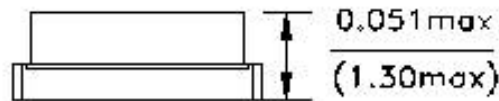
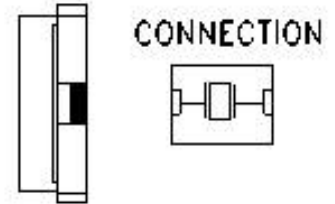
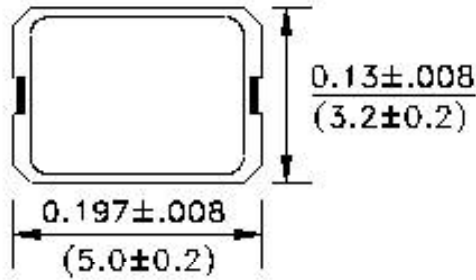


Check Inventory

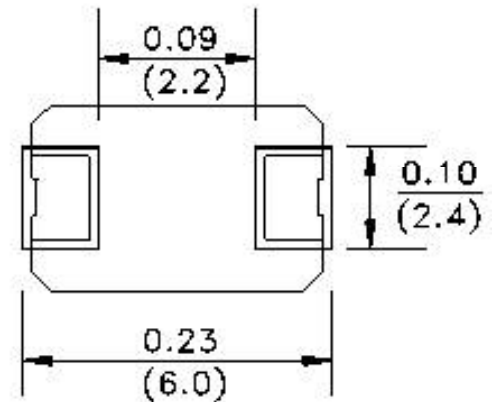
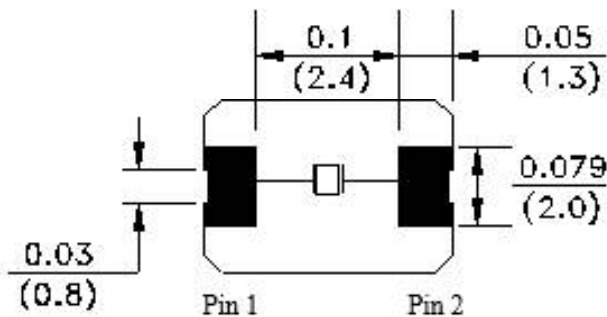


5.0 x 3.2 x 1.3 mm
RoHS/RoHS II Compliant
 MSL Level = N/A

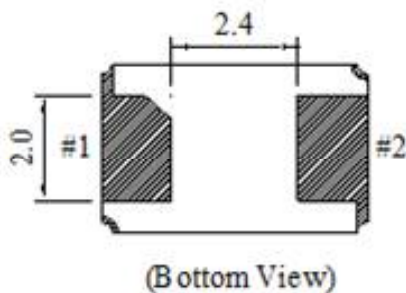
Mechanical Dimensions



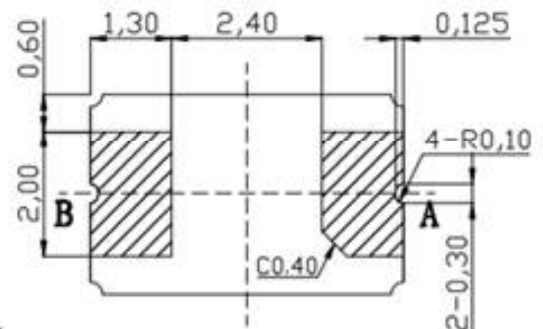
Recommended land pattern



Alternative bottom packaging 1:



Alternative bottom packaging 2:



Dimensions: inches (mm)

Sealing Method = Glass Sealing



5101 Hidden Creek Ln Spicewood TX 78669
 Phone: 512-371-6159 | Fax: 512-351-8858
 For terms and conditions of sales, please visit:
www.abracon.com

REVISED: 04-25-22

ABRACON IS
 ISO9001-2015
 CERTIFIED

Ceramic SMD Crystal

ABM3

Request Samples



Check Inventory



5.0 x 3.2x 1.3 mm
RoHS/RoHS II Compliant
MSL Level = N/A

Reflow Profile [JEDEC J-STD-020]

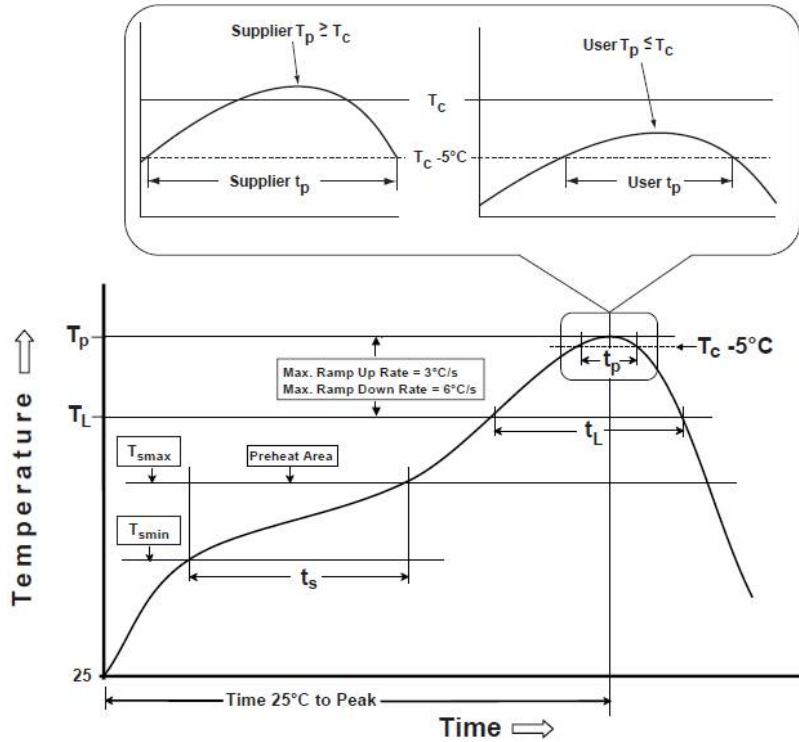


Table 1

**SnPb Eutectic Process
Classification Temperatures (T_c)**

Package Thickness	Volume mm ³ <350	Volume mm ³ ≥350
<2.5 mm	235 °C	220 °C
≥2.5 mm	220 °C	220 °C

Table 2

**Pb-Free Process
Classification Temperatures (T_c)**

Package Thickness	Volume mm ³ <350	Volume mm ³ 350-2000	Volume mm ³ >2000
<1.6 mm	260 °C	260 °C	260 °C
1.6 mm - 2.5 mm	260 °C	250 °C	245 °C
>2.5 mm	250 °C	245 °C	245 °C

Profile Feature	Sn-Pb Eutectic Assembly	Pb-Free Assembly
Preheat / soak		
Temperature minimum (T_{smin})	100°C	150°C
Temperature maximum (T_{smax})	150°C	200°C
Time (T_{smin} to T_{smax}) (t_s)	60 - 120 sec.	60 - 120 sec.
Average ramp-up rate (T_{smax} to T_p)	3°C/sec. max	3°C/sec. max
Liquidous temperature (T_L)	183°C	217°C
Time at liquidous (t_L)	60 - 150 sec.	60 - 150 sec.
Peak package body temperature (T_p)*	see Table 1	see Table 2
Time (t_p)** within 5°C of the specified classification temperature (T_c)	20 sec.	30 sec.
Ramp-down rate (T_p to T_{smax})	6°C/sec. max	6°C/sec. max
Time 25°C to peak temperature	6 min. max	8 min. max
Reflow cycles	2 max	2 max

*Tolerance for peak profile temperature (T_p) is defined as a supplier minimum and a user maximum.

**Tolerance for time at peak profile temperature (t_p) is defined as supplier minimum and a user maximum.

Ceramic SMD Crystal

ABM3

Request Samples



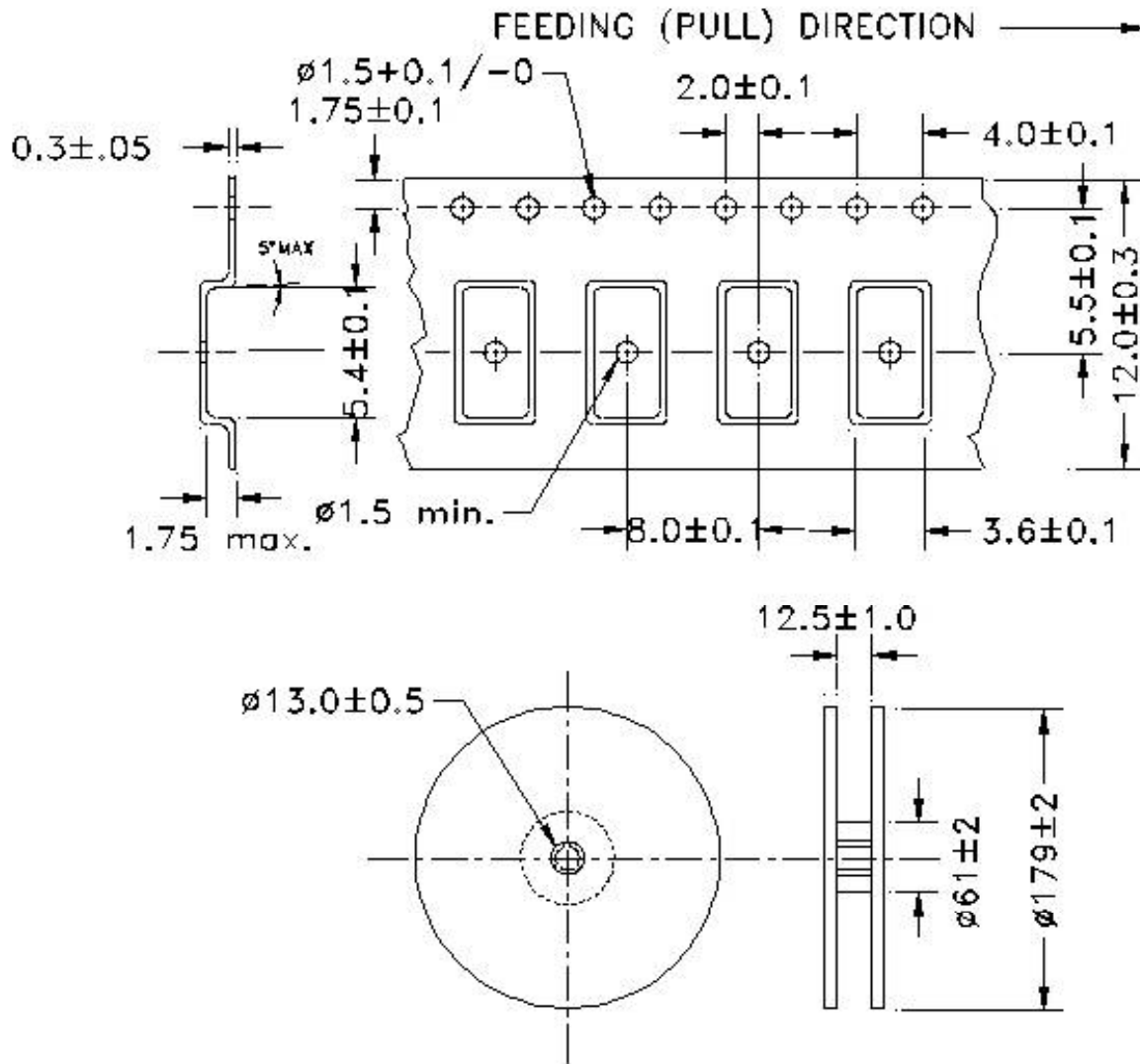
Check Inventory



5.0 x 3.2x 1.3 mm
RoHS/RoHS II Compliant
MSL Level = N/A

Packaging

1000pcs/reel



Dimensions: mm

ATTENTION: Abracon LLC's products are COTS – Commercial-Off-The-Shelf products; suitable for Commercial, Industrial and, where designated, Automotive Applications. Abracon's products are not specifically designed for Military, Aviation, Aerospace, Life-dependent Medical applications or any application requiring high reliability where component failure could result in loss of life and/or property. For applications requiring high reliability and/or presenting an extreme operating environment, written consent and authorization from Abracon LLC is required. Please contact Abracon LLC for more information.



5101 Hidden Creek Ln Spicewood TX 78669
Phone: 512-371-6159 | Fax: 512-351-8858
For terms and conditions of sales, please visit:
www.abracon.com

REVISED: 04-25-22

ABRACON IS
ISO9001-2015
CERTIFIED

brand	affected part numbers	series	eco#	datasheet link
abracon	ABM3-10.000MHZ	ABM3	4262	https://abracon.com/Resonators/abm3.pdf
abracon	ABM3-10.000MHZ-12-N4Q	ABM3	4262	https://abracon.com/Resonators/abm3.pdf
abracon	ABM3-10.000MHZ-12-N4Q-T	ABM3	4262	https://abracon.com/Resonators/abm3.pdf
abracon	ABM3-10.000MHZ-12-R30-D4	ABM3	4262	https://abracon.com/Resonators/abm3.pdf
abracon	ABM3-10.000MHZ-12-R30-D4-T	ABM3	4262	https://abracon.com/Resonators/abm3.pdf
abracon	ABM3-10.000MHZ-12-R80-B1U	ABM3	4262	https://abracon.com/Resonators/abm3.pdf
abracon	ABM3-10.000MHZ-12-R80-D2X-T	ABM3	4262	https://abracon.com/Resonators/abm3.pdf
abracon	ABM3-10.000MHZ-15-R60-C-4	ABM3	4262	https://abracon.com/Resonators/abm3.pdf
abracon	ABM3-10.000MHZ-20Z	ABM3	4262	https://abracon.com/Resonators/abm3.pdf
abracon	ABM3-10.000MHZ-B4Y-T	ABM3	4262	https://abracon.com/Resonators/abm3.pdf
abracon	ABM3-10.000MHZ-D-2-T	ABM3	4262	https://abracon.com/Resonators/abm3.pdf
abracon	ABM3-10.000MHZ-D-4-Z-T	ABM3	4262	https://abracon.com/Resonators/abm3.pdf
abracon	ABM3-10.000MHZ-D-T	ABM3	4262	https://abracon.com/Resonators/abm3.pdf
abracon	ABM3-10.000MHZ-D2Y	ABM3	4262	https://abracon.com/Resonators/abm3.pdf
abracon	ABM3-10.000MHZ-D2Y-T	ABM3	4262	https://abracon.com/Resonators/abm3.pdf
abracon	ABM3-10.000MHZ-D4Z	ABM3	4262	https://abracon.com/Resonators/abm3.pdf
abracon	ABM3-10.000MHZ-T	ABM3	4262	https://abracon.com/Resonators/abm3.pdf
abracon	ABM3-10.2400MHZ-B4Y	ABM3	4262	https://abracon.com/Resonators/abm3.pdf
abracon	ABM3-10.240MHZ	ABM3	4262	https://abracon.com/Resonators/abm3.pdf
abracon	ABM3-10.72686MHZ-10-D4Z	ABM3	4262	https://abracon.com/Resonators/abm3.pdf
abracon	ABM3-10.75045MHZ-10-D4Z	ABM3	4262	https://abracon.com/Resonators/abm3.pdf
abracon	ABM3-11.050MHZ-D2Y-T	ABM3	4262	https://abracon.com/Resonators/abm3.pdf
abracon	ABM3-11.0592MHZ	ABM3	4262	https://abracon.com/Resonators/abm3.pdf
abracon	ABM3-11.0592MHZ-10	ABM3	4262	https://abracon.com/Resonators/abm3.pdf
abracon	ABM3-11.0592MHZ-10-D2X-T	ABM3	4262	https://abracon.com/Resonators/abm3.pdf
abracon	ABM3-11.0592MHZ-B4Y-T	ABM3	4262	https://abracon.com/Resonators/abm3.pdf
abracon	ABM3-11.0592MHZ-D2-T	ABM3	4262	https://abracon.com/Resonators/abm3.pdf
abracon	ABM3-11.0592MHZ-D2Y	ABM3	4262	https://abracon.com/Resonators/abm3.pdf
abracon	ABM3-11.0592MHZ-D2Y-T	ABM3	4262	https://abracon.com/Resonators/abm3.pdf
abracon	ABM3-11.0592MHZ-D4-T	ABM3	4262	https://abracon.com/Resonators/abm3.pdf
abracon	ABM3-11.0592MHZ-D4Z-T	ABM3	4262	https://abracon.com/Resonators/abm3.pdf
abracon	ABM3-11.0592MHZ-E-4-X-T	ABM3	4262	https://abracon.com/Resonators/abm3.pdf
abracon	ABM3-11.0592MHZ-T	ABM3	4262	https://abracon.com/Resonators/abm3.pdf
abracon	ABM3-11.078100MHZ	ABM3	4262	https://abracon.com/Resonators/abm3.pdf
abracon	ABM3-11.2896MHZ-D2Y-T	ABM3	4262	https://abracon.com/Resonators/abm3.pdf
abracon	ABM3-11.2896MHZ-E2Y	ABM3	4262	https://abracon.com/Resonators/abm3.pdf
abracon	ABM3-11.2896MHZ-E2Y-T	ABM3	4262	https://abracon.com/Resonators/abm3.pdf
abracon	ABM3-11.2896MHZ-R50-D4Y-T	ABM3	4262	https://abracon.com/Resonators/abm3.pdf
abracon	ABM3-11.2896MHZ-Z	ABM3	4262	https://abracon.com/Resonators/abm3.pdf
abracon	ABM3-12.000MHZ	ABM3	4262	https://abracon.com/Resonators/abm3.pdf
abracon	ABM3-12.000MHZ-10-2X	ABM3	4262	https://abracon.com/Resonators/abm3.pdf
abracon	ABM3-12.000MHZ-10-7-U-T	ABM3	4262	https://abracon.com/Resonators/abm3.pdf
abracon	ABM3-12.000MHZ-10-B-4-G	ABM3	4262	https://abracon.com/Resonators/abm3.pdf
abracon	ABM3-12.000MHZ-12-D3W	ABM3	4262	https://abracon.com/Resonators/abm3.pdf
abracon	ABM3-12.000MHZ-15	ABM3	4262	https://abracon.com/Resonators/abm3.pdf
abracon	ABM3-12.000MHZ-15-B2Y	ABM3	4262	https://abracon.com/Resonators/abm3.pdf
abracon	ABM3-12.000MHZ-15-T	ABM3	4262	https://abracon.com/Resonators/abm3.pdf
abracon	ABM3-12.000MHZ-16-B4	ABM3	4262	https://abracon.com/Resonators/abm3.pdf
abracon	ABM3-12.000MHZ-16-D3Y-T	ABM3	4262	https://abracon.com/Resonators/abm3.pdf
abracon	ABM3-12.000MHZ-20-B2	ABM3	4262	https://abracon.com/Resonators/abm3.pdf
abracon	ABM3-12.000MHZ-20-B2Y	ABM3	4262	https://abracon.com/Resonators/abm3.pdf
abracon	ABM3-12.000MHZ-20-B4Y-T	ABM3	4262	https://abracon.com/Resonators/abm3.pdf
abracon	ABM3-12.000MHZ-20-D2X-T	ABM3	4262	https://abracon.com/Resonators/abm3.pdf

abracon	ABM3-16.384MHZ-B4Y-T	ABM3	4262	https://abracon.com/Resonators/abm3.pdf
abracon	ABM3-16.384MHZ-D-T	ABM3	4262	https://abracon.com/Resonators/abm3.pdf
abracon	ABM3-16.384MHZ-D2Y-T	ABM3	4262	https://abracon.com/Resonators/abm3.pdf
abracon	ABM3-16.384MHZ-J	ABM3	4262	https://abracon.com/Resonators/abm3.pdf
abracon	ABM3-16.384MHZ-T	ABM3	4262	https://abracon.com/Resonators/abm3.pdf
abracon	ABM3-16.500MHZ	ABM3	4262	https://abracon.com/Resonators/abm3.pdf
abracon	ABM3-16.665MHZ	ABM3	4262	https://abracon.com/Resonators/abm3.pdf
abracon	ABM3-16.9344MHZ-T	ABM3	4262	https://abracon.com/Resonators/abm3.pdf
abracon	ABM3-17.734475MHZ-16-R100-4Y	ABM3	4262	https://abracon.com/Resonators/abm3.pdf
abracon	ABM3-17.734475MHZ-16-R100-4Y-T	ABM3	4262	https://abracon.com/Resonators/abm3.pdf
abracon	ABM3-17.73448MHZ-B2X	ABM3	4262	https://abracon.com/Resonators/abm3.pdf
abracon	ABM3-17.734MHZ	ABM3	4262	https://abracon.com/Resonators/abm3.pdf
abracon	ABM3-18.432MHZ	ABM3	4262	https://abracon.com/Resonators/abm3.pdf
abracon	ABM3-18.432MHZ-15-B2-T	ABM3	4262	https://abracon.com/Resonators/abm3.pdf
abracon	ABM3-18.432MHZ-20-R50-D-Z	ABM3	4262	https://abracon.com/Resonators/abm3.pdf
abracon	ABM3-18.432MHZ-20-R50-D-Z-T	ABM3	4262	https://abracon.com/Resonators/abm3.pdf
abracon	ABM3-18.432MHZ-20-Z-R30-D	ABM3	4262	https://abracon.com/Resonators/abm3.pdf
abracon	ABM3-18.432MHZ-B2	ABM3	4262	https://abracon.com/Resonators/abm3.pdf
abracon	ABM3-18.432MHZ-B2-T	ABM3	4262	https://abracon.com/Resonators/abm3.pdf
abracon	ABM3-18.432MHZ-B2X-T	ABM3	4262	https://abracon.com/Resonators/abm3.pdf
abracon	ABM3-18.432MHZ-B4Y-T	ABM3	4262	https://abracon.com/Resonators/abm3.pdf
abracon	ABM3-18.432MHZ-D2Y	ABM3	4262	https://abracon.com/Resonators/abm3.pdf
abracon	ABM3-18.432MHZ-D2Y-T	ABM3	4262	https://abracon.com/Resonators/abm3.pdf
abracon	ABM3-18.432MHZ-K4Q	ABM3	4262	https://abracon.com/Resonators/abm3.pdf
abracon	ABM3-18.432MHZ-T	ABM3	4262	https://abracon.com/Resonators/abm3.pdf
abracon	ABM3-18.7392MHZ	ABM3	4262	https://abracon.com/Resonators/abm3.pdf
abracon	ABM3-18.750MHZ	ABM3	4262	https://abracon.com/Resonators/abm3.pdf
abracon	ABM3-18.875MHZ	ABM3	4262	https://abracon.com/Resonators/abm3.pdf
abracon	ABM3-19.063MHZ-T	ABM3	4262	https://abracon.com/Resonators/abm3.pdf
abracon	ABM3-19.200MHZ-D7X	ABM3	4262	https://abracon.com/Resonators/abm3.pdf
abracon	ABM3-19.3536MHZ	ABM3	4262	https://abracon.com/Resonators/abm3.pdf
abracon	ABM3-19.3536MHZ-T	ABM3	4262	https://abracon.com/Resonators/abm3.pdf
abracon	ABM3-19.6608MHZ-B4Y-T	ABM3	4262	https://abracon.com/Resonators/abm3.pdf
abracon	ABM3-19.6608MHZ-D2Y-T	ABM3	4262	https://abracon.com/Resonators/abm3.pdf
abracon	ABM3-19.6608MHZ-T	ABM3	4262	https://abracon.com/Resonators/abm3.pdf
abracon	ABM3-19.6875MHZ-10-D-4	ABM3	4262	https://abracon.com/Resonators/abm3.pdf
abracon	ABM3-20.000MHZ	ABM3	4262	https://abracon.com/Resonators/abm3.pdf
abracon	ABM3-20.000MHZ-10-D4Y	ABM3	4262	https://abracon.com/Resonators/abm3.pdf
abracon	ABM3-20.000MHZ-10-D4Y-T	ABM3	4262	https://abracon.com/Resonators/abm3.pdf
abracon	ABM3-20.000MHZ-8-B2Y	ABM3	4262	https://abracon.com/Resonators/abm3.pdf
abracon	ABM3-20.000MHZ-B2	ABM3	4262	https://abracon.com/Resonators/abm3.pdf
abracon	ABM3-20.000MHZ-B2-T	ABM3	4262	https://abracon.com/Resonators/abm3.pdf
abracon	ABM3-20.000MHZ-B4Y-T	ABM3	4262	https://abracon.com/Resonators/abm3.pdf
abracon	ABM3-20.000MHZ-D-T	ABM3	4262	https://abracon.com/Resonators/abm3.pdf
abracon	ABM3-20.000MHZ-D2Y	ABM3	4262	https://abracon.com/Resonators/abm3.pdf
abracon	ABM3-20.000MHZ-D2Y-T	ABM3	4262	https://abracon.com/Resonators/abm3.pdf
abracon	ABM3-20.000MHZ-D4H	ABM3	4262	https://abracon.com/Resonators/abm3.pdf
abracon	ABM3-20.000MHZ-D7W	ABM3	4262	https://abracon.com/Resonators/abm3.pdf
abracon	ABM3-20.000MHZ-D7W-T	ABM3	4262	https://abracon.com/Resonators/abm3.pdf
abracon	ABM3-20.000MHZ-J	ABM3	4262	https://abracon.com/Resonators/abm3.pdf
abracon	ABM3-20.000MHZ-S-D4Y-T	ABM3	4262	https://abracon.com/Resonators/abm3.pdf
abracon	ABM3-20.000MHZ-S-R30-D2Y-T	ABM3	4262	https://abracon.com/Resonators/abm3.pdf
abracon	ABM3-20.000MHZ-T	ABM3	4262	https://abracon.com/Resonators/abm3.pdf
abracon	ABM3-20.720MHZ	ABM3	4262	https://abracon.com/Resonators/abm3.pdf

abracon	ABM3-9.81713MHZ-10-R60-D4Q	ABM3	4262	https://abracon.com/Resonators/abm3.pdf
abracon	ABM3-9.8304MHZ	ABM3	4262	https://abracon.com/Resonators/abm3.pdf
abracon	ABM3-9.8304MHZ-10-4Z-T	ABM3	4262	https://abracon.com/Resonators/abm3.pdf
abracon	ABM3-9.8304MHZ-B4G-T	ABM3	4262	https://abracon.com/Resonators/abm3.pdf
abracon	ABM3-9.8304MHZ-B4T	ABM3	4262	https://abracon.com/Resonators/abm3.pdf
abracon	ABM3-9.8304MHZ-B4Y-T	ABM3	4262	https://abracon.com/Resonators/abm3.pdf
abracon	ABM3-9.8304MHZ-D1X	ABM3	4262	https://abracon.com/Resonators/abm3.pdf
abracon	ABM3-9.8304MHZ-D2X-T	ABM3	4262	https://abracon.com/Resonators/abm3.pdf
abracon	ABM3-9.8304MHZ-D2Y-T	ABM3	4262	https://abracon.com/Resonators/abm3.pdf
abracon	ABM3-9.8304MHZ-E	ABM3	4262	https://abracon.com/Resonators/abm3.pdf
abracon	ABM3-9.8304MHZ-E4Z	ABM3	4262	https://abracon.com/Resonators/abm3.pdf
abracon	ABM3-9.8304MHZ-K2	ABM3	4262	https://abracon.com/Resonators/abm3.pdf
abracon	ABM3-9.8304MHZ-K2-T	ABM3	4262	https://abracon.com/Resonators/abm3.pdf
abracon	ABM3-9.84375MHz-10-4-T	ABM3	4262	https://abracon.com/Resonators/abm3.pdf
abracon	ABM3-9.84375MHZ-10-D4Z	ABM3	4262	https://abracon.com/Resonators/abm3.pdf
abracon	ABM3-9.84375MHZ-10-D4Z-T	ABM3	4262	https://abracon.com/Resonators/abm3.pdf
abracon	ABM3-9.84375MHZ-5-D4Z	ABM3	4262	https://abracon.com/Resonators/abm3.pdf
abracon	ABM3-9.84375MHZ-5-D4Z-T	ABM3	4262	https://abracon.com/Resonators/abm3.pdf
abracon	ABM3-9.84674MHZ-10-R50	ABM3	4262	https://abracon.com/Resonators/abm3.pdf
abracon	ABM3-9.94955MHZ-10-D4Z	ABM3	4262	https://abracon.com/Resonators/abm3.pdf
abracon	ABM3-9.97144MHZ-10-D4Z	ABM3	4262	https://abracon.com/Resonators/abm3.pdf