

From: Zee Cheong <zee.cheong@my.panasonic.com>

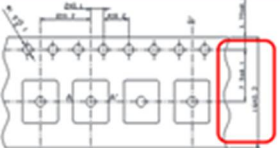
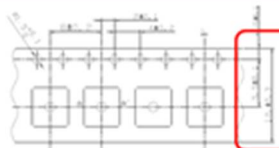




Sent: Monday, February 28, 2022 3:00 PM

To: PCN.SYSTEM

Subject: FUTURE - change of taping dimension

Good day.

Kindly refer the attach file & please be informed that our factory has this carrier tape changes for ETQ3M@@@KVP series.

	Before	After
Carrier tape	 7.5mm / 16.0mm	 5.5mm / 12.0mm
Reel dimension	 17.5mm / 21.5mm	 13.5mm / 17.5mm
Packaging dimension	 H: 55mm	 H: 47mm

At the moment, the affected on hand PO from Future should be as per below:

ITEM NO.	CUSTOMER	END-USER ORD NO.	SALES COMPANY ORD NO.	ORD QTY
ETQP3M100KVP	FUTURE	CCHL11	12186359	4000
ETQP3M100KVP	FUTURE	CCHL11	12186360	4000
ETQP3M100KVP	FUTURE	CCHL11	12186361	4000
ETQP3M100KVP	FUTURE	CCHL11	12186362	4000
ETQP3M4R7KVP	FUTURE	CCJ0RM	12191457	4000

Since last year, our factory had actually inform to all of their global distributorsthrough PIEU. Believed PIEU should have announced it to Future EMEA.

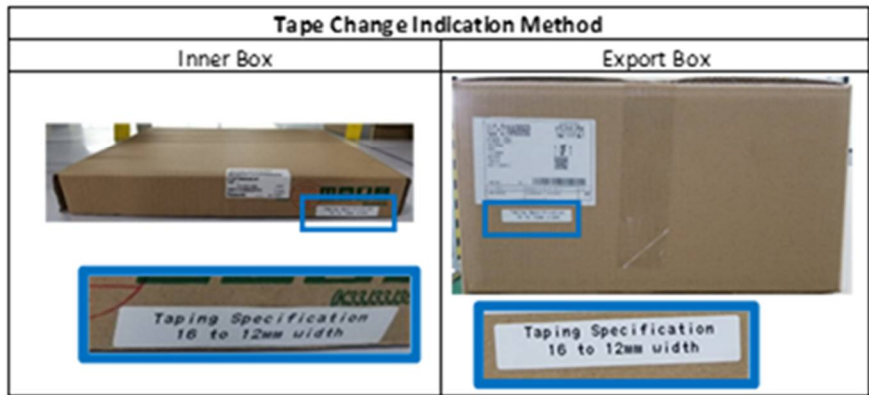
The changing schedule is start from March & through running change method. Therefore, there is no any fix date for this change (base on by when factory can clear all of the 16mm old tape). However based on the PO schedule, it's believed all will use new tape from June onwards.

Lastly, we will have below indication during the 1st shipment & please monitor it accordingly, thanks!

Packing specification change of M0530LP

Running Change Schedule and Tape Change Indication Method of 1st Shipment .

	2022				
	Jan	Feb	Mar	Apr	May
ETQP3M□□□KVP, 16mmTape	16mm Tape →				
ETQP3M□□□KVP, 12mm Tape			→ 12mm Tape		



Best Regards,
Zee

For

Power Choke Coils – Metal Composite –

**Packing specification change of M0530LP
[Part No.: ETQP3M[][][]KVP]**

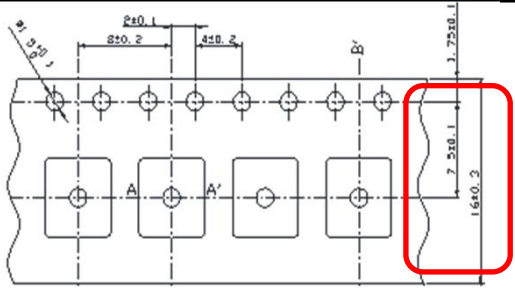
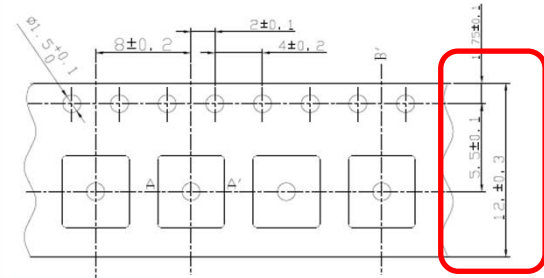
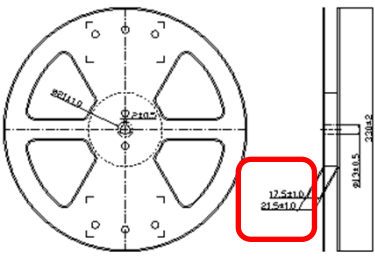
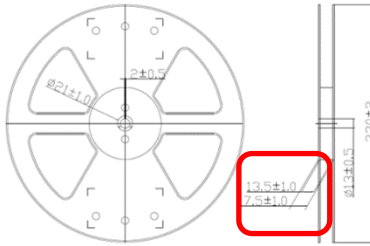
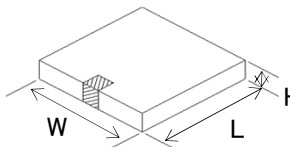
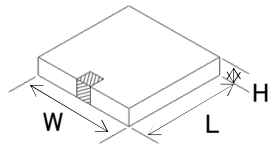
**Jan 10th, 2021
Device Solutions Business Division
Industrial Systems Company
Panasonic Corporation**

Panasonic

Packing specification change of M0530LP

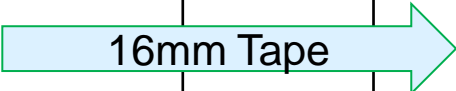
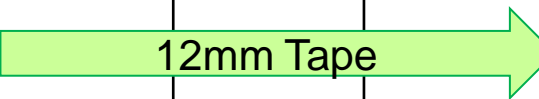
Purpose : Standardization of packaging

This change is only the tape width, the number of stuffing and the direction are not changed.

	Before	After
Carrier tape	 <p>7.5mm / 16.0mm</p>	 <p>5.5mm / 12.0mm</p>
Reel dimension	 <p>17.5mm / 21.5mm</p>	 <p>13.5mm / 17.5mm</p>
Packaging dimension	 <p>H: 55mm</p>	 <p>H: 47mm</p>

Packing specification change of M0530LP

Running Change Schedule and Tape Change Indication Method of 1st Shipment .

	2022				
	Jan	Feb	Mar	Apr	May
ETQP3M[] [] [] KVP, 16mm Tape					
ETQP3M[] [] [] KVP, 12mm Tape					

Tape Change Indication Method	
Inner Box	Export Box
