

Product Change Notification

Panasonic Batteries

Panasonic Industrial Devices Sales
Company of America
A Division of Panasonic
Corporation of North America
1701 Golf Road Suite 3-1100
Rolling Meadows, IL 60008

Toll Free: 877-726-2228

e-mail: oembatteries@us.panasonic.com

Internet: <https://na.industrial.panasonic.com/products/batteries>

Nature of Change:

Delay in CR123A Label and Packaging

Affected Model:

CR123APA/B, CR-123ADT/1S, CR-123ADT2/B,
CR-123APA/5S

Date of Notice:

16th February 2022

Attention: Valued customers:

The purpose of this notice is to inform you of a delay in the change to the CR123A label and packaging.

Affected Models

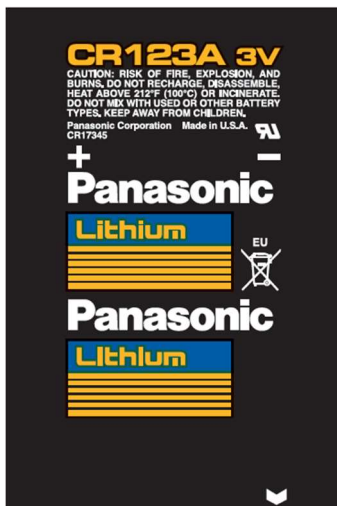
CR123A Panasonic Industrial Brand Models made in the Panasonic manufacturing facility in Columbus, Georgia, USA. The current change is limited to the label. There will be no change to fit, form or function.

Label Design

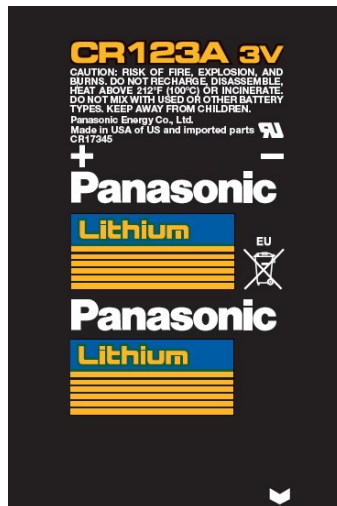
The company name will be changed from Panasonic Corporation to Panasonic Energy Co., Ltd on the current battery label and the carton labels.

The design of the Panasonic industrial CR123A label will change from the current black and gold to a gray and black design. This change will now happen in June or July instead of April 1st. This will match the current CR123A product produced by the Panasonic factory in Jakarta, Indonesia.

Current



April 2022



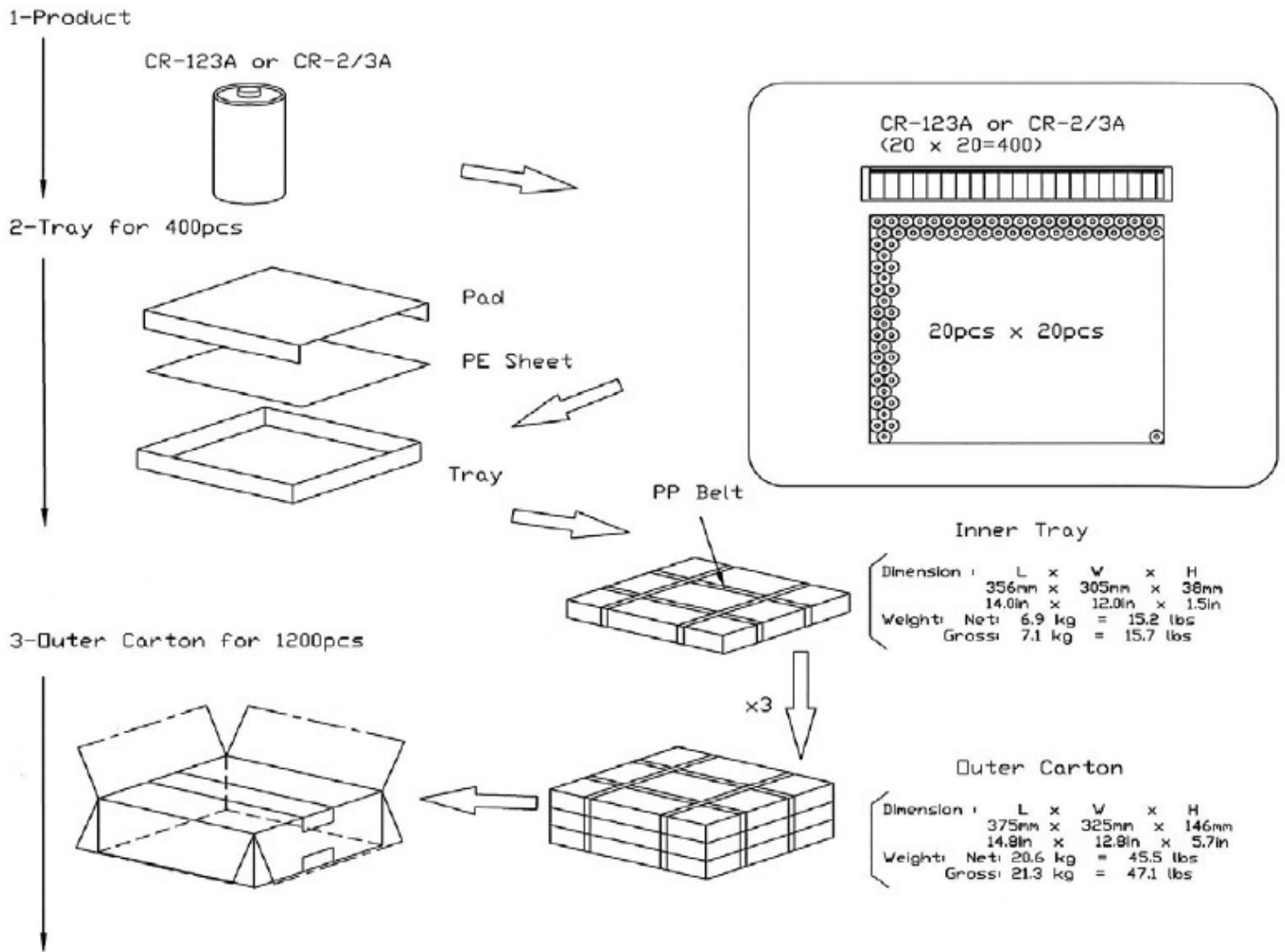
Unified Global Design
(June - July)



Panasonic

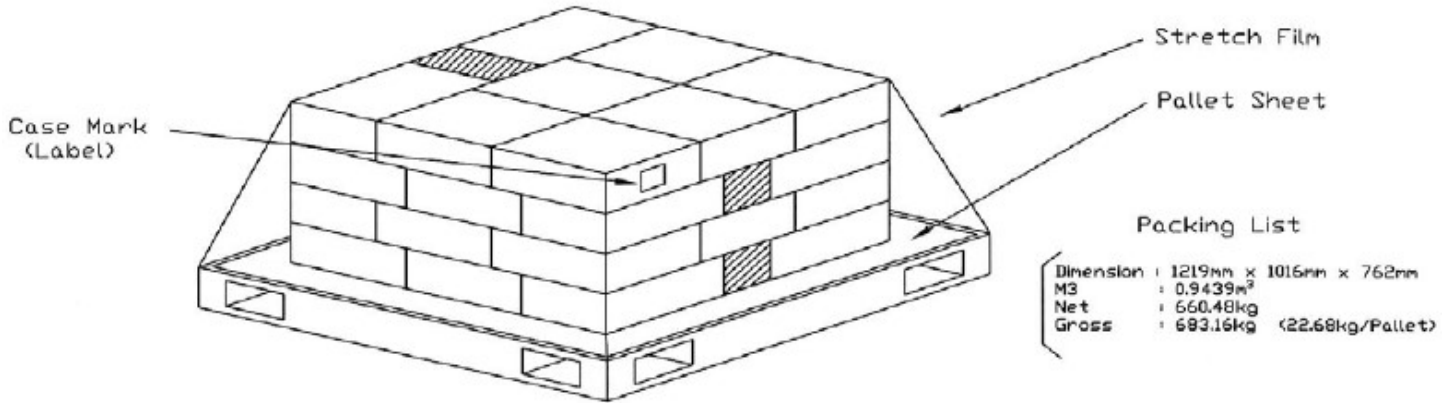
Packaging

The current CR123A packaging still be used until the global label design change.



Panasonic

4-Pallet for 38400pcs
(8 per Layer / 4 Layer)



New Packaging

The CR123A packaging will be redesigned to improve the strength and drop test performance.

Timeline

Factory shipments of the new label and packaging will be June – July 2022.

Please contact your account manager if you have any questions or comments.

Sincerely,

Christopher Holt
Product Manager
Panasonic OEM Battery
(847) 637-4612
Christopher.Holt@us.panasonic.com