



Product Change Notification

Current Date: 01-Feb-2022

TE Connectivity

Product Change Notification: PCN-21-117017

PCN Date: 31-JAN-22

Customer: Future Electronics(0000080100)

Location: WORLDWIDE

Agreement: Agreement Unknown

TE would like to inform you of the following change(s) to the listed TE Connectivity Product. In case of any further questions about this change(s), please contact your TE Connectivity Sales Engineer. Affected part, drawing and/or specification numbers are listed on the attached sheet(s).

**General Product Description:**  
GPL 296: AMPMODU MTE HEADER ASSEMBLIES

**Description of Changes**  
Allowing the use of up to 50% maximum regrind in the housings. Making tool change at base of housing at the latch area optional at molder's discretion. This tooling change will allow manufacturing an option to prevent flash in the latch area.  
**Other attachments:**  
[Optional Tooling Change](#)

**Reason for Changes:**  
Manufacturing request for product improvement. Clarification of the Following PCNs: PCN E-20-000310 & PCN E-21-005551; PCN-E-20-000624 & PCN E-21-005720 and PCN E-20-000650 & PCN E-21-005993.

<b>PCN Attributes:</b>	
<b>Product Category:</b>	<b>Kind of Change:</b>
<b>Change Feature:</b>	<b>Potential Customer Impact:</b>
<b>Remarks:</b>	

<b>Estimated Dates:</b>	
<b>Last Order Date (Obsolete Parts Only):</b>	<b>First Ship Date of Changed Items (Changed Parts Only):</b>
	13-OCT-2021
<b>Last Ship Date of Changed Items (Obsolete Parts Only):</b>	<b>Last Date for Mixed Shipments: (Changed Parts Only):</b>
	31-OCT-2021
<b>Effectivity Date:</b>	<b>Date of First Samples:</b>

Part Number(s) being Modified:

Part Number	Part Discontinued per PCN	Customer Drawing	Customer Part Number	Alias Part Number(s)	Substitute Part Number	Substitute Alias Part Number(s)	Description Of Difference
<a href="#">1-103634-3</a>	NO						
<a href="#">1-103638-1</a>	NO			"2-42937-3651"			
<a href="#">1-103638-3</a>	NO						
<a href="#">1-103670-3</a>	NO						
<a href="#">1-103735-3</a>	NO						
<a href="#">1-103735-5</a>	NO						
<a href="#">1-103908-5</a>	NO						
<a href="#">103635-2</a>	NO						
<a href="#">103635-3</a>	NO			"AMP-0-0103635-3", "E18345-000"			
<a href="#">103638-2</a>	NO			"407085000"			
<a href="#">103638-3</a>	NO						
<a href="#">103638-4</a>	NO						
<a href="#">103638-5</a>	NO			"407161199"			

Part Number	Part Discontinued per PCN	Customer Drawing	Customer Part Number	Alias Part Number(s)	Substitute Part Number	Substitute Alias Part Number(s)	Description Of Difference
<a href="#">103670-1</a>	NO						
<a href="#">103673-3</a>	NO						
<a href="#">103735-1</a>	NO						
<a href="#">103735-2</a>	NO						
<a href="#">103735-3</a>	NO						
<a href="#">103908-1</a>	NO			"406746073"			
<a href="#">103908-2</a>	NO						
<a href="#">103908-4</a>	NO						
<a href="#">103908-5</a>	NO						
<a href="#">147278-2</a>	NO						
<a href="#">1977162-5</a>	NO						
<a href="#">2-103639-8</a>	NO						
<a href="#">5-103634-3</a>	NO						
<a href="#">5-103634-4</a>	NO						
<a href="#">5-103635-1</a>	NO						
<a href="#">5-103635-2</a>	NO						
<a href="#">5-103635-3</a>	NO						
<a href="#">5-103635-4</a>	NO						
<a href="#">5-103635-5</a>	NO						
<a href="#">5-103635-7</a>	NO						
<a href="#">5-103635-9</a>	NO						
<a href="#">5-103639-1</a>	NO						
<a href="#">5-103639-2</a>	NO						
<a href="#">5-103639-3</a>	NO						
<a href="#">5-103639-5</a>	NO						
<a href="#">5-103639-7</a>	NO						
<a href="#">5-103639-9</a>	NO						
<a href="#">5-103669-1</a>	NO						
<a href="#">5-103669-2</a>	NO						
<a href="#">5-103669-3</a>	NO						
<a href="#">5-103669-4</a>	NO						
<a href="#">5-103669-5</a>	NO						
<a href="#">5-103669-6</a>	NO						
<a href="#">5-103669-9</a>	NO						
<a href="#">5-103672-1</a>	NO						
<a href="#">5-103672-2</a>	NO						
<a href="#">5-103672-3</a>	NO						
<a href="#">5-103672-4</a>	NO						
<a href="#">5-103672-9</a>	NO						
<a href="#">5-103673-1</a>	NO						
<a href="#">5-103673-2</a>	NO						
<a href="#">5-103673-3</a>	NO						
<a href="#">5-103673-4</a>	NO						
<a href="#">5-103673-7</a>	NO			"CW5998-000", "PER-5- 103673-7"			
<a href="#">5-103673-9</a>	NO						
<a href="#">5-103735-1</a>	NO						
<a href="#">5-103735-2</a>	NO						

Part Number	Part Discontinued per PCN	Customer Drawing	Customer Part Number	Alias Part Number(s)	Substitute Part Number	Substitute Alias Part Number(s)	Description Of Difference
<a href="#">5-103735-3</a>	NO						
<a href="#">5-103735-4</a>	NO						
<a href="#">5-103735-5</a>	NO						
<a href="#">5-103735-7</a>	NO						
<a href="#">5-103735-8</a>	NO						
<a href="#">5-103735-9</a>	NO						
<a href="#">5-103904-1</a>	NO						
<a href="#">5-103904-2</a>	NO						
<a href="#">5-103904-3</a>	NO						
<a href="#">5-103904-4</a>	NO						
<a href="#">5-103904-7</a>	NO						
<a href="#">5-103908-1</a>	NO						
<a href="#">5-103908-2</a>	NO						
<a href="#">5-103908-3</a>	NO						
<a href="#">5-103908-4</a>	NO						
<a href="#">5-103908-5</a>	NO						
<a href="#">5-103908-7</a>	NO						
<a href="#">5-104361-2</a>	NO						
<a href="#">5-104361-3</a>	NO						
<a href="#">5-104361-9</a>	NO						
<a href="#">5-104362-1</a>	NO						
<a href="#">5-104362-2</a>	NO						
<a href="#">5-104362-3</a>	NO						
<a href="#">5-104362-4</a>	NO						
<a href="#">5-104362-5</a>	NO						
<a href="#">5-104362-6</a>	NO						
<a href="#">5-104362-7</a>	NO						
<a href="#">5-104362-8</a>	NO						
<a href="#">5-104362-9</a>	NO						
<a href="#">5-104450-1</a>	NO						
<a href="#">5-104935-1</a>	NO						
<a href="#">5-104935-2</a>	NO						
<a href="#">5-104935-3</a>	NO						
<a href="#">5-104935-4</a>	NO						
<a href="#">5-104935-5</a>	NO						
<a href="#">5-104935-6</a>	NO			"2-42938-4341"			
<a href="#">5-104935-9</a>	NO						
<a href="#">5-1375583-2</a>	NO						
<a href="#">5-147278-1</a>	NO						
<a href="#">5-147278-2</a>	NO						
<a href="#">5-147278-3</a>	NO						
<a href="#">5-147278-4</a>	NO						
<a href="#">5-147323-3</a>	NO						
<a href="#">5-147324-1</a>	NO						
<a href="#">6-103639-1</a>	NO						
<a href="#">6-103672-5</a>	NO						
<a href="#">6-103672-9</a>	NO						
<a href="#">6-103735-3</a>	NO						
<a href="#">6-103904-1</a>	NO						

Part Number	Part Discontinued per PCN	Customer Drawing	Customer Part Number	Alias Part Number(s)	Substitute Part Number	Substitute Alias Part Number(s)	Description Of Difference
<a href="#">6-103908-1</a>	NO						
<a href="#">6-104362-1</a>	NO						
<a href="#">6-104910-3</a>	NO						
<a href="#">6-104910-5</a>	NO						

The documents listed below are being modified. Related parts that are not explicitly listed on this PCN are not being modified or discontinued as per the PCN. The Last Order Date, Last Ship Date, First Date to Ship Changed Parts and last date for Mixed Shipments apply only to parts explicitly listed on this PCN.

Customer Drawing(s) Being Modified:

Drawing Number	Related Part Number	Customer Part Number	Current Revision	New Revision
<a href="#">103634</a>	5-103634-3, 1-103634-3		W	
<a href="#">103635</a>	5-103635-3, 103635-2, 5-103635-2, 5-103635-1		U	
<a href="#">103638</a>	1-103638-1, 103638-3, 1-103638-3		T	
<a href="#">103639</a>	5-103639-1, 2-103639-8		AA	
<a href="#">103669</a>	5-103669-1, 5-103669-3, 5-103669-2		AC	
<a href="#">103670</a>	1-103670-3, 103670-1		U	
<a href="#">103672</a>	6-103672-9, 5-103672-1, 6-103672-5		AE	
<a href="#">103673</a>	103673-3, 5-103673-2, 5-103673-1, 5-103673-3		V	
<a href="#">103735</a>	5-103735-2, 6-103735-3, 5-103735-1, 5-103735-9, 103735-1, 103735-2		W	
<a href="#">103904</a>	5-103904-4, 5-103904-7, 6-103904-1, 5-103904-1		S	
<a href="#">103906</a>	103906-2		P	
<a href="#">103908</a>	5-103908-1, 103908-1, 1-103908-5, 6-103908-1		S	
<a href="#">104361</a>	5-104361-3, 5-104361-2		S	
<a href="#">104362</a>	5-104362-4, 5-104362-1		W	
<a href="#">104363</a>	5-104363-1, 5-104363-4, 5-104363-2		U	
<a href="#">104450</a>	5-104450-1		AF	
<a href="#">104910</a>	6-104910-5, 6-104910-3		J	
<a href="#">104935</a>	5-104935-4, 5-104935-5, 5-104935-1, 5-104935-2		H	
<a href="#">1375583</a>	5-1375583-2		F	
<a href="#">147278</a>	5-147278-1, 5-147278-4, 147278-2, 5-147278-2		M1	
<a href="#">147323</a>	5-147323-3		H	
<a href="#">147324</a>	5-147324-1		L	
<a href="#">1977162</a>	1977162-5		C	

Customer: Future Electronics Inc ( 184927 )

Location: Pointe Claire

Agreement Number: FUTAGR002

Part Number(s) being Modified:

Part Number	Part Discontinued per PCN	Customer Drawing	Customer Part Number	Alias Part Number(s)	Substitute Part Number	Substitute Alias Part Number(s)	Description Of Difference
<a href="#">1-103634-3</a>	NO						
<a href="#">1-103638-3</a>	NO						
<a href="#">103635-2</a>	NO						
<a href="#">103635-3</a>	NO			"AMP-0-0103635-3", "E18345-000"			
<a href="#">103638-5</a>	NO			"407161199"			

Part Number	Part Discontinued per PCN	Customer Drawing	Customer Part Number	Alias Part Number(s)	Substitute Part Number	Substitute Alias Part Number(s)	Description Of Difference
<a href="#">103670-1</a>	NO						
<a href="#">103735-2</a>	NO						
<a href="#">103908-1</a>	NO			"406746073"			
<a href="#">103908-2</a>	NO						
<a href="#">103908-4</a>	NO						
<a href="#">1977162-5</a>	NO						
<a href="#">2-103639-8</a>	NO						
<a href="#">5-103634-3</a>	NO						
<a href="#">5-103635-1</a>	NO						
<a href="#">5-103635-2</a>	NO						
<a href="#">5-103635-4</a>	NO						
<a href="#">5-103635-5</a>	NO						
<a href="#">5-103635-7</a>	NO						
<a href="#">5-103635-9</a>	NO						
<a href="#">5-103639-1</a>	NO						
<a href="#">5-103639-2</a>	NO						
<a href="#">5-103639-3</a>	NO						
<a href="#">5-103639-5</a>	NO						
<a href="#">5-103639-9</a>	NO						
<a href="#">5-103669-1</a>	NO						
<a href="#">5-103669-2</a>	NO						
<a href="#">5-103669-3</a>	NO						
<a href="#">5-103669-5</a>	NO						
<a href="#">5-103672-1</a>	NO						
<a href="#">5-103672-2</a>	NO						
<a href="#">5-103672-3</a>	NO						
<a href="#">5-103672-4</a>	NO						
<a href="#">5-103672-9</a>	NO						
<a href="#">5-103673-1</a>	NO						
<a href="#">5-103673-2</a>	NO						
<a href="#">5-103673-4</a>	NO						
<a href="#">5-103673-9</a>	NO						
<a href="#">5-103735-1</a>	NO						
<a href="#">5-103735-2</a>	NO						
<a href="#">5-103735-3</a>	NO						
<a href="#">5-103735-4</a>	NO						
<a href="#">5-103735-5</a>	NO						
<a href="#">5-103735-7</a>	NO						
<a href="#">5-103904-1</a>	NO						
<a href="#">5-103904-3</a>	NO						
<a href="#">5-103908-1</a>	NO						
<a href="#">5-103908-3</a>	NO						
<a href="#">5-103908-4</a>	NO						
<a href="#">5-103908-5</a>	NO						
<a href="#">5-104361-2</a>	NO						
<a href="#">5-104361-3</a>	NO						
<a href="#">5-104361-9</a>	NO						
<a href="#">5-104362-1</a>	NO						
<a href="#">5-104362-2</a>	NO						

Part Number	Part Discontinued per PCN	Customer Drawing	Customer Part Number	Alias Part Number(s)	Substitute Part Number	Substitute Alias Part Number(s)	Description Of Difference
<a href="#">5-104362-3</a>	NO						
<a href="#">5-104362-4</a>	NO						
<a href="#">5-104362-5</a>	NO						
<a href="#">5-104362-8</a>	NO						
<a href="#">5-104450-1</a>	NO						
<a href="#">5-104935-1</a>	NO						
<a href="#">5-104935-2</a>	NO						
<a href="#">5-104935-3</a>	NO						
<a href="#">5-104935-4</a>	NO						
<a href="#">5-104935-5</a>	NO						
<a href="#">5-104935-6</a>	NO			"2-42938-4341"			
<a href="#">5-147278-1</a>	NO						
<a href="#">5-147278-2</a>	NO						
<a href="#">5-147278-3</a>	NO						
<a href="#">5-147278-4</a>	NO						
<a href="#">5-147323-3</a>	NO						
<a href="#">5-147324-1</a>	NO						
<a href="#">6-103639-1</a>	NO						
<a href="#">6-103672-9</a>	NO						
<a href="#">6-103735-3</a>	NO						
<a href="#">6-103908-1</a>	NO						
<a href="#">6-104910-5</a>	NO						

The documents listed below are being modified. Related parts that are not explicitly listed on this PCN are not being modified or discontinued as per the PCN. The Last Order Date, Last Ship Date, First Date to Ship Changed Parts and last date for Mixed Shipments apply only to parts explicitly listed on this PCN.

Customer Drawing(s) Being Modified:

Drawing Number	Related Part Number	Customer Part Number	Current Revision	New Revision
<a href="#">103634</a>	5-103634-3		W	
<a href="#">103635</a>	103635-2		U	
<a href="#">103672</a>	6-103672-9		AE	
<a href="#">103735</a>	6-103735-3		W	
<a href="#">103908</a>	6-103908-1		S	
<a href="#">104935</a>	5-104935-4		H	

Customer: Future Electronics Inc. ( 2883079 )

Location: Singapore

Agreement Number: Agreement Unknown

Part Number(s) being Modified:

Part Number	Part Discontinued per PCN	Customer Drawing	Customer Part Number	Alias Part Number(s)	Substitute Part Number	Substitute Alias Part Number(s)	Description Of Difference
<a href="#">1-103638-1</a>	NO			"2-42937-3651"			
<a href="#">1-103638-1</a>	NO			"2-42937-3651"			
<a href="#">1-103638-3</a>	NO						
<a href="#">1-103670-3</a>	NO						
<a href="#">103638-2</a>	NO			"407085000"			
<a href="#">103638-3</a>	NO						

Part Number	Part Discontinued per PCN	Customer Drawing	Customer Part Number	Alias Part Number(s)	Substitute Part Number	Substitute Alias Part Number(s)	Description Of Difference
<a href="#">103638-3</a>	NO						
<a href="#">103638-3</a>	NO						
<a href="#">103638-4</a>	NO						
<a href="#">147278-2</a>	NO						
<a href="#">5-103635-1</a>	NO						
<a href="#">5-103635-2</a>	NO						
<a href="#">5-103635-3</a>	NO						
<a href="#">5-103635-4</a>	NO						
<a href="#">5-103635-4</a>	NO						
<a href="#">5-103635-5</a>	NO						
<a href="#">5-103635-5</a>	NO						
<a href="#">5-103639-1</a>	NO						
<a href="#">5-103639-1</a>	NO						
<a href="#">5-103639-3</a>	NO						
<a href="#">5-103639-5</a>	NO						
<a href="#">5-103639-7</a>	NO						
<a href="#">5-103669-2</a>	NO						
<a href="#">5-103669-2</a>	NO						
<a href="#">5-103669-3</a>	NO						
<a href="#">5-103669-3</a>	NO						
<a href="#">5-103669-4</a>	NO						
<a href="#">5-103669-6</a>	NO						
<a href="#">5-103673-3</a>	NO						
<a href="#">5-103735-1</a>	NO						
<a href="#">5-103735-1</a>	NO						
<a href="#">5-103735-4</a>	NO						
<a href="#">5-103735-5</a>	NO						
<a href="#">5-103735-9</a>	NO						
<a href="#">5-103904-7</a>	NO						
<a href="#">5-103908-1</a>	NO						
<a href="#">5-103908-1</a>	NO						
<a href="#">5-103908-2</a>	NO						
<a href="#">5-103908-2</a>	NO						
<a href="#">5-103908-3</a>	NO						
<a href="#">5-103908-5</a>	NO						
<a href="#">5-103908-5</a>	NO						
<a href="#">5-104362-1</a>	NO						
<a href="#">5-104362-1</a>	NO						
<a href="#">5-104362-5</a>	NO						
<a href="#">5-104362-6</a>	NO						
<a href="#">5-104362-8</a>	NO						
<a href="#">5-104935-6</a>	NO			"2-42938-4341"			
<a href="#">5-1375583-2</a>	NO						
<a href="#">5-147278-2</a>	NO						
<a href="#">6-103672-5</a>	NO						
<a href="#">6-103904-1</a>	NO						
<a href="#">6-104362-1</a>	NO						
<a href="#">6-104910-3</a>	NO						

Customer: Future Electronics Asia Pacific ( 2923061 )

Location: Singapore

Agreement Number: Agreement Unknown

Part Number(s) being Modified:

Part Number	Part Discontinued per PCN	Customer Drawing	Customer Part Number	Alias Part Number(s)	Substitute Part Number	Substitute Alias Part Number(s)	Description Of Difference
<a href="#">1-103638-3</a>	NO						
<a href="#">1-103908-5</a>	NO						
<a href="#">103670-1</a>	NO						
<a href="#">103908-4</a>	NO						
<a href="#">5-103635-1</a>	NO						
<a href="#">5-103639-1</a>	NO						
<a href="#">5-103639-2</a>	NO						
<a href="#">5-103669-1</a>	NO						
<a href="#">5-103669-2</a>	NO						
<a href="#">5-103669-3</a>	NO						
<a href="#">5-103669-5</a>	NO						
<a href="#">5-103669-9</a>	NO						
<a href="#">5-103673-2</a>	NO						
<a href="#">5-103673-3</a>	NO						
<a href="#">5-103673-4</a>	NO						
<a href="#">5-103735-1</a>	NO						
<a href="#">5-103735-3</a>	NO						
<a href="#">5-103735-5</a>	NO						
<a href="#">5-103904-4</a>	NO						
<a href="#">5-103908-1</a>	NO						
<a href="#">5-103908-2</a>	NO						
<a href="#">5-103908-3</a>	NO						
<a href="#">5-103908-4</a>	NO						
<a href="#">5-103908-5</a>	NO						
<a href="#">5-104362-4</a>	NO						
<a href="#">5-104362-9</a>	NO						
<a href="#">5-104450-1</a>	NO						
<a href="#">5-104935-2</a>	NO						
<a href="#">5-147278-4</a>	NO						
<a href="#">6-103639-1</a>	NO						

The documents listed below are being modified. Related parts that are not explicitly listed on this PCN are not being modified or discontinued as per the PCN. The Last Order Date, Last Ship Date, First Date to Ship Changed Parts and last date for Mixed Shipments apply only to parts explicitly listed on this PCN.

Customer Drawing(s) Being Modified:

Drawing Number	Related Part Number	Customer Part Number	Current Revision	New Revision
<a href="#">103635</a>	5-103635-1		U	
<a href="#">103638</a>	1-103638-3		T	
<a href="#">103639</a>	5-103639-1		AA	
<a href="#">103669</a>	5-103669-1		AC	
<a href="#">103670</a>	103670-1		U	
<a href="#">103673</a>	5-103673-2		V	
<a href="#">103735</a>	5-103735-1		W	



Drawing Number	Related Part Number	Customer Part Number	Current Revision	New Revision
<a href="#">103904</a>	5-103904-4		S	
<a href="#">103906</a>	103906-2		P	
<a href="#">103908</a>	1-103908-5		S	
<a href="#">104362</a>	5-104362-4		W	
<a href="#">104363</a>	5-104363-1		U	
<a href="#">104450</a>	5-104450-1		AF	
<a href="#">104935</a>	5-104935-2		H	
<a href="#">147278</a>	5-147278-4		M1	

Customer: Future Electronics Inc. ( 1319888 )

Location: Singapore

Agreement Number: Agreement Unknown

Part Number(s) being Modified:

Part Number	Part Discontinued per PCN	Customer Drawing	Customer Part Number	Alias Part Number(s)	Substitute Part Number	Substitute Alias Part Number(s)	Description Of Difference
<a href="#">1-103638-1</a>	NO			"2-42937-3651"			
<a href="#">1-103638-1</a>	NO			"2-42937-3651"			
<a href="#">1-103638-3</a>	NO						
<a href="#">1-103670-3</a>	NO						
<a href="#">103638-2</a>	NO			"407085000"			
<a href="#">103638-3</a>	NO						
<a href="#">103638-3</a>	NO						
<a href="#">103638-3</a>	NO						
<a href="#">103638-4</a>	NO						
<a href="#">103673-3</a>	NO						
<a href="#">147278-2</a>	NO						
<a href="#">5-103635-1</a>	NO						
<a href="#">5-103635-2</a>	NO						
<a href="#">5-103635-3</a>	NO						
<a href="#">5-103635-4</a>	NO						
<a href="#">5-103635-4</a>	NO						
<a href="#">5-103635-5</a>	NO						
<a href="#">5-103635-5</a>	NO						
<a href="#">5-103635-5</a>	NO						
<a href="#">5-103639-1</a>	NO						
<a href="#">5-103639-1</a>	NO						
<a href="#">5-103639-3</a>	NO						
<a href="#">5-103639-5</a>	NO						
<a href="#">5-103639-7</a>	NO						
<a href="#">5-103669-2</a>	NO						
<a href="#">5-103669-2</a>	NO						
<a href="#">5-103669-3</a>	NO						
<a href="#">5-103669-3</a>	NO						
<a href="#">5-103669-4</a>	NO						
<a href="#">5-103669-6</a>	NO						
<a href="#">5-103673-1</a>	NO						
<a href="#">5-103673-3</a>	NO						
<a href="#">5-103673-3</a>	NO						
<a href="#">5-103735-1</a>	NO						
<a href="#">5-103735-1</a>	NO						

Part Number	Part Discontinued per PCN	Customer Drawing	Customer Part Number	Alias Part Number(s)	Substitute Part Number	Substitute Alias Part Number(s)	Description Of Difference
<a href="#">5-103735-4</a>	NO						
<a href="#">5-103735-5</a>	NO						
<a href="#">5-103735-8</a>	NO						
<a href="#">5-103735-9</a>	NO						
<a href="#">5-103904-7</a>	NO						
<a href="#">5-103908-1</a>	NO						
<a href="#">5-103908-1</a>	NO						
<a href="#">5-103908-2</a>	NO						
<a href="#">5-103908-2</a>	NO						
<a href="#">5-103908-3</a>	NO						
<a href="#">5-103908-5</a>	NO						
<a href="#">5-103908-5</a>	NO						
<a href="#">5-104362-1</a>	NO						
<a href="#">5-104362-1</a>	NO						
<a href="#">5-104362-5</a>	NO						
<a href="#">5-104362-6</a>	NO						
<a href="#">5-104362-8</a>	NO						
<a href="#">5-104935-4</a>	NO						
<a href="#">5-104935-6</a>	NO			"2-42938-4341"			
<a href="#">5-104935-9</a>	NO						
<a href="#">5-1375583-2</a>	NO						
<a href="#">5-147278-2</a>	NO						
<a href="#">6-103672-5</a>	NO						
<a href="#">6-103904-1</a>	NO						
<a href="#">6-104362-1</a>	NO						
<a href="#">6-104910-3</a>	NO						

The documents listed below are being modified. Related parts that are not explicitly listed on this PCN are not being modified or discontinued as per the PCN. The Last Order Date, Last Ship Date, First Date to Ship Changed Parts and last date for Mixed Shipments apply only to parts explicitly listed on this PCN.

Customer Drawing(s) Being Modified:

Drawing Number	Related Part Number	Customer Part Number	Current Revision	New Revision
<a href="#">103635</a>	5-103635-3, 5-103635-1		U	
<a href="#">103638</a>	1-103638-1, 103638-3		T	
<a href="#">103639</a>	5-103639-1		AA	
<a href="#">103669</a>	5-103669-2		AC	
<a href="#">103670</a>	1-103670-3		U	
<a href="#">103672</a>	6-103672-5		AE	
<a href="#">103673</a>	103673-3, 5-103673-3		V	
<a href="#">103735</a>	5-103735-1, 5-103735-9		W	
<a href="#">103904</a>	5-103904-7, 6-103904-1		S	
<a href="#">103908</a>	5-103908-1		S	
<a href="#">104362</a>	5-104362-1		W	
<a href="#">104363</a>	5-104363-1, 5-104363-2		U	
<a href="#">104910</a>	6-104910-3		J	
<a href="#">104935</a>	5-104935-4		H	
<a href="#">1375583</a>	5-1375583-2		F	
<a href="#">147278</a>	5-147278-2, 147278-2		M1	

Customer: Future Electronics Ltd ( 1307660 )

Location: Egham

Agreement Number: Agreement Unknown

Part Number(s) being Modified:

Part Number	Part Discontinued per PCN	Customer Drawing	Customer Part Number	Alias Part Number(s)	Substitute Part Number	Substitute Alias Part Number(s)	Description Of Difference
<a href="#">103735-1</a>	NO						
<a href="#">103735-2</a>	NO						
<a href="#">5-103735-2</a>	NO						
<a href="#">5-104361-3</a>	NO						

The documents listed below are being modified. Related parts that are not explicitly listed on this PCN are not being modified or discontinued as per the PCN. The Last Order Date, Last Ship Date, First Date to Ship Changed Parts and last date for Mixed Shipments apply only to parts explicitly listed on this PCN.

Customer Drawing(s) Being Modified:

Drawing Number	Related Part Number	Customer Part Number	Current Revision	New Revision
<a href="#">103735</a>	103735-1		W	
<a href="#">104361</a>	5-104361-3		S	
<a href="#">104363</a>	5-104363-1		U	

Customer: Future Electronics Inc ( 1290208 )

Location: Southaven

Agreement Number: FUTAGR001

Part Number(s) being Modified:

Part Number	Part Discontinued per PCN	Customer Drawing	Customer Part Number	Alias Part Number(s)	Substitute Part Number	Substitute Alias Part Number(s)	Description Of Difference
<a href="#">1-103634-3</a>	NO						
<a href="#">1-103638-3</a>	NO						
<a href="#">103638-5</a>	NO			"407161199"			
<a href="#">103670-1</a>	NO						
<a href="#">103735-2</a>	NO						
<a href="#">103908-1</a>	NO			"406746073"			
<a href="#">103908-2</a>	NO						
<a href="#">103908-4</a>	NO						
<a href="#">1977162-5</a>	NO						
<a href="#">2-103639-8</a>	NO						
<a href="#">5-103634-3</a>	NO						
<a href="#">5-103635-1</a>	NO						
<a href="#">5-103635-4</a>	NO						
<a href="#">5-103635-5</a>	NO						
<a href="#">5-103635-7</a>	NO						
<a href="#">5-103635-9</a>	NO						
<a href="#">5-103639-1</a>	NO						
<a href="#">5-103639-2</a>	NO						
<a href="#">5-103639-3</a>	NO						
<a href="#">5-103639-5</a>	NO						
<a href="#">5-103639-9</a>	NO						
<a href="#">5-103669-1</a>	NO						
<a href="#">5-103669-2</a>	NO						
<a href="#">5-103669-3</a>	NO						
<a href="#">5-103669-5</a>	NO						
<a href="#">5-103672-1</a>	NO						

Part Number	Part Discontinued per PCN	Customer Drawing	Customer Part Number	Alias Part Number(s)	Substitute Part Number	Substitute Alias Part Number(s)	Description Of Difference
<a href="#">5-103672-2</a>	NO						
<a href="#">5-103672-3</a>	NO						
<a href="#">5-103672-4</a>	NO						
<a href="#">5-103672-9</a>	NO						
<a href="#">5-103673-1</a>	NO						
<a href="#">5-103673-2</a>	NO						
<a href="#">5-103673-4</a>	NO						
<a href="#">5-103673-9</a>	NO						
<a href="#">5-103735-1</a>	NO						
<a href="#">5-103735-2</a>	NO						
<a href="#">5-103735-3</a>	NO						
<a href="#">5-103735-4</a>	NO						
<a href="#">5-103735-5</a>	NO						
<a href="#">5-103735-7</a>	NO						
<a href="#">5-103904-1</a>	NO						
<a href="#">5-103904-3</a>	NO						
<a href="#">5-103908-1</a>	NO						
<a href="#">5-103908-3</a>	NO						
<a href="#">5-103908-4</a>	NO						
<a href="#">5-103908-5</a>	NO						
<a href="#">5-104361-2</a>	NO						
<a href="#">5-104361-3</a>	NO						
<a href="#">5-104361-9</a>	NO						
<a href="#">5-104362-1</a>	NO						
<a href="#">5-104362-2</a>	NO						
<a href="#">5-104362-3</a>	NO						
<a href="#">5-104362-4</a>	NO						
<a href="#">5-104362-5</a>	NO						
<a href="#">5-104362-8</a>	NO						
<a href="#">5-104450-1</a>	NO						
<a href="#">5-104935-1</a>	NO						
<a href="#">5-104935-2</a>	NO						
<a href="#">5-104935-3</a>	NO						
<a href="#">5-104935-5</a>	NO						
<a href="#">5-104935-6</a>	NO			"2-42938-4341"			
<a href="#">5-147278-1</a>	NO						
<a href="#">5-147278-2</a>	NO						
<a href="#">5-147278-3</a>	NO						
<a href="#">5-147278-4</a>	NO						
<a href="#">5-147323-3</a>	NO						
<a href="#">5-147324-1</a>	NO						
<a href="#">6-103639-1</a>	NO						
<a href="#">6-103735-3</a>	NO						
<a href="#">6-103908-1</a>	NO						
<a href="#">6-104910-5</a>	NO						

The documents listed below are being modified. Related parts that are not explicitly listed on this PCN are not being modified or discontinued as per the PCN. The Last Order Date, Last Ship Date, First Date to Ship Changed Parts and last date for Mixed Shipments apply only to parts explicitly listed on this PCN.

Customer Drawing(s) Being Modified:

Drawing Number	Related Part Number	Customer Part Number	Current Revision	New Revision
<a href="#">103634</a>	1-103634-3		W	
<a href="#">103635</a>	5-103635-1		U	
<a href="#">103638</a>	1-103638-3		T	
<a href="#">103639</a>	2-103639-8		AA	
<a href="#">103669</a>	5-103669-1		AC	
<a href="#">103670</a>	103670-1		U	
<a href="#">103672</a>	5-103672-1		AE	
<a href="#">103673</a>	5-103673-1		V	
<a href="#">103735</a>	103735-2		W	
<a href="#">103904</a>	5-103904-1		S	
<a href="#">103906</a>	103906-2		P	
<a href="#">103908</a>	103908-1		S	
<a href="#">104361</a>	5-104361-2		S	
<a href="#">104362</a>	5-104362-1		W	
<a href="#">104363</a>	5-104363-1		U	
<a href="#">104450</a>	5-104450-1		AF	
<a href="#">104910</a>	6-104910-5		J	
<a href="#">104935</a>	5-104935-1		H	
<a href="#">147278</a>	5-147278-1		M1	
<a href="#">147323</a>	5-147323-3		H	
<a href="#">147324</a>	5-147324-1		L	
<a href="#">1977162</a>	1977162-5		C	

Customer: Future Electronics Inc. ( 1319888 )

Location: Singapore

Agreement Number: Agreement Unknown

Part Number(s) being Modified:

Part Number	Part Discontinued per PCN	Customer Drawing	Customer Part Number	Alias Part Number(s)	Substitute Part Number	Substitute Alias Part Number(s)	Description Of Difference
<a href="#">1-103638-1</a>	NO			"2-42937-3651"			
<a href="#">1-103638-1</a>	NO			"2-42937-3651"			
<a href="#">1-103638-3</a>	NO						
<a href="#">1-103670-3</a>	NO						
<a href="#">103638-2</a>	NO			"407085000"			
<a href="#">103638-3</a>	NO						
<a href="#">103638-3</a>	NO						
<a href="#">103638-3</a>	NO						
<a href="#">103638-4</a>	NO						
<a href="#">103673-3</a>	NO						
<a href="#">147278-2</a>	NO						
<a href="#">5-103635-1</a>	NO						
<a href="#">5-103635-2</a>	NO						
<a href="#">5-103635-3</a>	NO						
<a href="#">5-103635-4</a>	NO						
<a href="#">5-103635-4</a>	NO						
<a href="#">5-103635-5</a>	NO						
<a href="#">5-103635-5</a>	NO						

Part Number	Part Discontinued per PCN	Customer Drawing	Customer Part Number	Alias Part Number(s)	Substitute Part Number	Substitute Alias Part Number(s)	Description Of Difference
<a href="#">5-103639-1</a>	NO						
<a href="#">5-103639-1</a>	NO						
<a href="#">5-103639-3</a>	NO						
<a href="#">5-103639-5</a>	NO						
<a href="#">5-103639-7</a>	NO						
<a href="#">5-103669-2</a>	NO						
<a href="#">5-103669-2</a>	NO						
<a href="#">5-103669-3</a>	NO						
<a href="#">5-103669-3</a>	NO						
<a href="#">5-103669-4</a>	NO						
<a href="#">5-103669-6</a>	NO						
<a href="#">5-103673-1</a>	NO						
<a href="#">5-103673-3</a>	NO						
<a href="#">5-103673-3</a>	NO						
<a href="#">5-103735-1</a>	NO						
<a href="#">5-103735-1</a>	NO						
<a href="#">5-103735-4</a>	NO						
<a href="#">5-103735-5</a>	NO						
<a href="#">5-103735-8</a>	NO						
<a href="#">5-103735-9</a>	NO						
<a href="#">5-103904-7</a>	NO						
<a href="#">5-103908-1</a>	NO						
<a href="#">5-103908-1</a>	NO						
<a href="#">5-103908-2</a>	NO						
<a href="#">5-103908-2</a>	NO						
<a href="#">5-103908-3</a>	NO						
<a href="#">5-103908-5</a>	NO						
<a href="#">5-103908-5</a>	NO						
<a href="#">5-104362-1</a>	NO						
<a href="#">5-104362-1</a>	NO						
<a href="#">5-104362-5</a>	NO						
<a href="#">5-104362-6</a>	NO						
<a href="#">5-104362-8</a>	NO						
<a href="#">5-104935-4</a>	NO						
<a href="#">5-104935-6</a>	NO			"2-42938-4341"			
<a href="#">5-104935-9</a>	NO						
<a href="#">5-1375583-2</a>	NO						
<a href="#">5-147278-2</a>	NO						
<a href="#">6-103672-5</a>	NO						
<a href="#">6-103904-1</a>	NO						
<a href="#">6-104362-1</a>	NO						
<a href="#">6-104910-3</a>	NO						

The documents listed below are being modified. Related parts that are not explicitly listed on this PCN are not being modified or discontinued as per the PCN. The Last Order Date, Last Ship Date, First Date to Ship Changed Parts and last date for Mixed Shipments apply only to parts explicitly listed on this PCN.

Customer Drawing(s) Being Modified:

Drawing Number	Related Part Number	Customer Part Number	Current Revision	New Revision

Drawing Number	Related Part Number	Customer Part Number	Current Revision	New Revision
<a href="#">103635</a>	5-103635-3, 5-103635-1		U	
<a href="#">103638</a>	1-103638-1, 103638-3		T	
<a href="#">103639</a>	5-103639-1		AA	
<a href="#">103669</a>	5-103669-2		AC	
<a href="#">103670</a>	1-103670-3		U	
<a href="#">103672</a>	6-103672-5		AE	
<a href="#">103673</a>	103673-3, 5-103673-3		V	
<a href="#">103735</a>	5-103735-1, 5-103735-9		W	
<a href="#">103904</a>	5-103904-7, 6-103904-1		S	
<a href="#">103908</a>	5-103908-1		S	
<a href="#">104362</a>	5-104362-1		W	
<a href="#">104363</a>	5-104363-1, 5-104363-2		U	
<a href="#">104910</a>	6-104910-3		J	
<a href="#">104935</a>	5-104935-4		H	
<a href="#">1375583</a>	5-1375583-2		F	
<a href="#">147278</a>	5-147278-2, 147278-2		M1	

Customer: Future Electronics Inc ( 1433287 )

Location: Bolton

Agreement Number: Agreement Unknown

Part Number(s) being Modified:

Part Number	Part Discontinued per PCN	Customer Drawing	Customer Part Number	Alias Part Number(s)	Substitute Part Number	Substitute Alias Part Number(s)	Description Of Difference
<a href="#">5-103635-2</a>	NO						
<a href="#">5-103735-2</a>	NO						

The documents listed below are being modified. Related parts that are not explicitly listed on this PCN are not being modified or discontinued as per the PCN. The Last Order Date, Last Ship Date, First Date to Ship Changed Parts and last date for Mixed Shipments apply only to parts explicitly listed on this PCN.

Customer Drawing(s) Being Modified:

Drawing Number	Related Part Number	Customer Part Number	Current Revision	New Revision
<a href="#">103635</a>	5-103635-2		U	
<a href="#">103735</a>	5-103735-2		W	

Customer: Future Electronics Inc. ( 2883079 )

Location: Singapore

Agreement Number: Agreement Unknown

Part Number(s) being Modified:

Part Number	Part Discontinued per PCN	Customer Drawing	Customer Part Number	Alias Part Number(s)	Substitute Part Number	Substitute Alias Part Number(s)	Description Of Difference
<a href="#">1-103638-1</a>	NO			"2-42937-3651"			
<a href="#">1-103638-1</a>	NO			"2-42937-3651"			
<a href="#">1-103638-3</a>	NO						
<a href="#">1-103670-3</a>	NO						
<a href="#">103638-2</a>	NO			"407085000"			
<a href="#">103638-3</a>	NO						
<a href="#">103638-3</a>	NO						
<a href="#">103638-3</a>	NO						
<a href="#">103638-4</a>	NO						

Part Number	Part Discontinued per PCN	Customer Drawing	Customer Part Number	Alias Part Number(s)	Substitute Part Number	Substitute Alias Part Number(s)	Description Of Difference
<a href="#">147278-2</a>	NO						
<a href="#">5-103635-1</a>	NO						
<a href="#">5-103635-2</a>	NO						
<a href="#">5-103635-3</a>	NO						
<a href="#">5-103635-4</a>	NO						
<a href="#">5-103635-4</a>	NO						
<a href="#">5-103635-5</a>	NO						
<a href="#">5-103635-5</a>	NO						
<a href="#">5-103639-1</a>	NO						
<a href="#">5-103639-1</a>	NO						
<a href="#">5-103639-3</a>	NO						
<a href="#">5-103639-5</a>	NO						
<a href="#">5-103639-7</a>	NO						
<a href="#">5-103669-2</a>	NO						
<a href="#">5-103669-2</a>	NO						
<a href="#">5-103669-3</a>	NO						
<a href="#">5-103669-3</a>	NO						
<a href="#">5-103669-4</a>	NO						
<a href="#">5-103669-6</a>	NO						
<a href="#">5-103673-3</a>	NO						
<a href="#">5-103735-1</a>	NO						
<a href="#">5-103735-1</a>	NO						
<a href="#">5-103735-4</a>	NO						
<a href="#">5-103735-5</a>	NO						
<a href="#">5-103735-9</a>	NO						
<a href="#">5-103904-7</a>	NO						
<a href="#">5-103908-1</a>	NO						
<a href="#">5-103908-1</a>	NO						
<a href="#">5-103908-2</a>	NO						
<a href="#">5-103908-2</a>	NO						
<a href="#">5-103908-3</a>	NO						
<a href="#">5-103908-5</a>	NO						
<a href="#">5-103908-5</a>	NO						
<a href="#">5-104362-1</a>	NO						
<a href="#">5-104362-1</a>	NO						
<a href="#">5-104362-5</a>	NO						
<a href="#">5-104362-6</a>	NO						
<a href="#">5-104362-8</a>	NO						
<a href="#">5-104935-6</a>	NO			"2-42938-4341"			
<a href="#">5-1375583-2</a>	NO						
<a href="#">5-147278-2</a>	NO						
<a href="#">6-103672-5</a>	NO						
<a href="#">6-103904-1</a>	NO						
<a href="#">6-104362-1</a>	NO						
<a href="#">6-104910-3</a>	NO						



Customer: Future Electronics Ltd ( 2895038 )

Location: Leipzig

Agreement Number: Agreement Unknown

Part Number(s) being Modified:

Part Number	Part Discontinued per PCN	Customer Drawing	Customer Part Number	Alias Part Number(s)	Substitute Part Number	Substitute Alias Part Number(s)	Description Of Difference
<a href="#">1-103735-3</a>	NO		1-103735-3				
<a href="#">1-103735-5</a>	NO						
<a href="#">103735-1</a>	NO						
<a href="#">103735-2</a>	NO						
<a href="#">103735-3</a>	NO		103735-3				
<a href="#">103908-5</a>	NO		103908-5				
<a href="#">5-103634-4</a>	NO						
<a href="#">5-103635-2</a>	NO		103635-2-LF				
<a href="#">5-103635-3</a>	NO						
<a href="#">5-103635-4</a>	NO		103635-4-LF				
<a href="#">5-103635-5</a>	NO		103635-5-LF				
<a href="#">5-103639-1</a>	NO						
<a href="#">5-103639-3</a>	NO						
<a href="#">5-103639-5</a>	NO						
<a href="#">5-103673-3</a>	NO						
<a href="#">5-103673-7</a>	NO			"CW5998-000", "PER-5-103673-7"			
<a href="#">5-103735-1</a>	NO						
<a href="#">5-103735-2</a>	NO						
<a href="#">5-103735-3</a>	NO		103735-3-LF				
<a href="#">5-103735-5</a>	NO						
<a href="#">5-103735-7</a>	NO						
<a href="#">5-103904-2</a>	NO						
<a href="#">5-103908-1</a>	NO		103908-1-LF				
<a href="#">5-103908-2</a>	NO		103908-2-LF				
<a href="#">5-103908-3</a>	NO		103908-3-LF				
<a href="#">5-103908-4</a>	NO		103908-4-LF				
<a href="#">5-103908-5</a>	NO		103908-5-LF				
<a href="#">5-104361-3</a>	NO		5-104361-3-LF				
<a href="#">5-104362-1</a>	NO		103670-1-LF				
<a href="#">5-104935-4</a>	NO						
<a href="#">5-104935-6</a>	NO			"2-42938-4341"			
<a href="#">5-147278-2</a>	NO						
<a href="#">6-103735-3</a>	NO		1-103735-3-LF				
<a href="#">6-103908-1</a>	NO		1-103908-1-LF				

Customer: Future Electronics Inc. ( 2835872 )

Location: Pointe-Claire

Agreement Number: Agreement Unknown

Part Number(s) being Modified:

Part Number	Part Discontinued per PCN	Customer Drawing	Customer Part Number	Alias Part Number(s)	Substitute Part Number	Substitute Alias Part Number(s)	Description Of Difference
<a href="#">6-103735-3</a>	NO						

The documents listed below are being modified. Related parts that are not explicitly listed on this PCN are not being modified or discontinued as per the PCN. The Last Order Date, Last Ship Date, First Date to Ship Changed Parts and last date for Mixed Shipments apply only to parts explicitly listed on this PCN.

Customer Drawing(s) Being Modified:

Drawing Number	Related Part Number	Customer Part Number	Current Revision	New Revision
<a href="#">103735</a>	6-103735-3		W	

Customer: Future Electronics Inc ( 2837131 )

Location: Singapore

Agreement Number: Agreement Unknown

Part Number(s) being Modified:

Part Number	Part Discontinued per PCN	Customer Drawing	Customer Part Number	Alias Part Number(s)	Substitute Part Number	Substitute Alias Part Number(s)	Description Of Difference
<a href="#">5-104362-1</a>	NO						
<a href="#">5-104362-6</a>	NO						

The documents listed below are being modified. Related parts that are not explicitly listed on this PCN are not being modified or discontinued as per the PCN. The Last Order Date, Last Ship Date, First Date to Ship Changed Parts and last date for Mixed Shipments apply only to parts explicitly listed on this PCN.

Customer Drawing(s) Being Modified:

Drawing Number	Related Part Number	Customer Part Number	Current Revision	New Revision
<a href="#">104362</a>	5-104362-1		W	

Customer: Future Electronics-Disty Sample ( 773504 )

Location: Pointe Claire

Agreement Number: Agreement Unknown

The documents listed below are being modified. Related parts that are not explicitly listed on this PCN are not being modified or discontinued as per the PCN. The Last Order Date, Last Ship Date, First Date to Ship Changed Parts and last date for Mixed Shipments apply only to parts explicitly listed on this PCN.

Customer Drawing(s) Being Modified:

Drawing Number	Related Part Number	Customer Part Number	Current Revision	New Revision
<a href="#">104363</a>	5-104363-4		U	

Customer: Future Electronics Inc. ( 1319888 )

Location: Singapore

Agreement Number: Agreement Unknown

Part Number(s) being Modified:

Part Number	Part Discontinued per PCN	Customer Drawing	Customer Part Number	Alias Part Number(s)	Substitute Part Number	Substitute Alias Part Number(s)	Description Of Difference
<a href="#">1-103638-1</a>	NO			"2-42937-3651"			
<a href="#">1-103638-1</a>	NO			"2-42937-3651"			
<a href="#">1-103638-3</a>	NO						
<a href="#">1-103670-3</a>	NO						
<a href="#">103638-2</a>	NO			"407085000"			
<a href="#">103638-3</a>	NO						
<a href="#">103638-3</a>	NO						

Part Number	Part Discontinued per PCN	Customer Drawing	Customer Part Number	Alias Part Number(s)	Substitute Part Number	Substitute Alias Part Number(s)	Description Of Difference
<a href="#">103638-3</a>	NO						
<a href="#">103638-4</a>	NO						
<a href="#">103673-3</a>	NO						
<a href="#">147278-2</a>	NO						
<a href="#">5-103635-1</a>	NO						
<a href="#">5-103635-2</a>	NO						
<a href="#">5-103635-3</a>	NO						
<a href="#">5-103635-4</a>	NO						
<a href="#">5-103635-4</a>	NO						
<a href="#">5-103635-5</a>	NO						
<a href="#">5-103635-5</a>	NO						
<a href="#">5-103639-1</a>	NO						
<a href="#">5-103639-1</a>	NO						
<a href="#">5-103639-3</a>	NO						
<a href="#">5-103639-5</a>	NO						
<a href="#">5-103639-7</a>	NO						
<a href="#">5-103669-2</a>	NO						
<a href="#">5-103669-2</a>	NO						
<a href="#">5-103669-3</a>	NO						
<a href="#">5-103669-3</a>	NO						
<a href="#">5-103669-4</a>	NO						
<a href="#">5-103669-6</a>	NO						
<a href="#">5-103673-1</a>	NO						
<a href="#">5-103673-3</a>	NO						
<a href="#">5-103673-3</a>	NO						
<a href="#">5-103735-1</a>	NO						
<a href="#">5-103735-1</a>	NO						
<a href="#">5-103735-4</a>	NO						
<a href="#">5-103735-5</a>	NO						
<a href="#">5-103735-8</a>	NO						
<a href="#">5-103735-9</a>	NO						
<a href="#">5-103904-7</a>	NO						
<a href="#">5-103908-1</a>	NO						
<a href="#">5-103908-1</a>	NO						
<a href="#">5-103908-2</a>	NO						
<a href="#">5-103908-2</a>	NO						
<a href="#">5-103908-3</a>	NO						
<a href="#">5-103908-5</a>	NO						
<a href="#">5-103908-5</a>	NO						
<a href="#">5-104362-1</a>	NO						
<a href="#">5-104362-1</a>	NO						
<a href="#">5-104362-5</a>	NO						
<a href="#">5-104362-6</a>	NO						
<a href="#">5-104362-8</a>	NO						
<a href="#">5-104935-4</a>	NO						
<a href="#">5-104935-6</a>	NO			"2-42938-4341"			
<a href="#">5-104935-9</a>	NO						
<a href="#">5-1375583-2</a>	NO						

Part Number	Part Discontinued per PCN	Customer Drawing	Customer Part Number	Alias Part Number(s)	Substitute Part Number	Substitute Alias Part Number(s)	Description Of Difference
<a href="#">5-147278-2</a>	NO						
<a href="#">6-103672-5</a>	NO						
<a href="#">6-103904-1</a>	NO						
<a href="#">6-104362-1</a>	NO						
<a href="#">6-104910-3</a>	NO						

The documents listed below are being modified. Related parts that are not explicitly listed on this PCN are not being modified or discontinued as per the PCN. The Last Order Date, Last Ship Date, First Date to Ship Changed Parts and last date for Mixed Shipments apply only to parts explicitly listed on this PCN.

## Customer Drawing(s) Being Modified:

Drawing Number	Related Part Number	Customer Part Number	Current Revision	New Revision
<a href="#">103635</a>	5-103635-3, 5-103635-1		U	
<a href="#">103638</a>	1-103638-1, 103638-3		T	
<a href="#">103639</a>	5-103639-1		AA	
<a href="#">103669</a>	5-103669-2		AC	
<a href="#">103670</a>	1-103670-3		U	
<a href="#">103672</a>	6-103672-5		AE	
<a href="#">103673</a>	103673-3, 5-103673-3		V	
<a href="#">103735</a>	5-103735-1, 5-103735-9		W	
<a href="#">103904</a>	5-103904-7, 6-103904-1		S	
<a href="#">103908</a>	5-103908-1		S	
<a href="#">104362</a>	5-104362-1		W	
<a href="#">104363</a>	5-104363-1, 5-104363-2		U	
<a href="#">104910</a>	6-104910-3		J	
<a href="#">104935</a>	5-104935-4		H	
<a href="#">1375583</a>	5-1375583-2		F	
<a href="#">147278</a>	5-147278-2, 147278-2		M1	

Customer: Future Electronics Inc. ( 2883079 )

Location: Singapore

Agreement Number: Agreement Unknown

## Part Number(s) being Modified:

Part Number	Part Discontinued per PCN	Customer Drawing	Customer Part Number	Alias Part Number(s)	Substitute Part Number	Substitute Alias Part Number(s)	Description Of Difference
<a href="#">1-103638-1</a>	NO			"2-42937-3651"			
<a href="#">1-103638-1</a>	NO			"2-42937-3651"			
<a href="#">1-103638-3</a>	NO						
<a href="#">1-103670-3</a>	NO						
<a href="#">103638-2</a>	NO			"407085000"			
<a href="#">103638-3</a>	NO						
<a href="#">103638-3</a>	NO						
<a href="#">103638-3</a>	NO						
<a href="#">103638-4</a>	NO						
<a href="#">147278-2</a>	NO						
<a href="#">5-103635-1</a>	NO						
<a href="#">5-103635-2</a>	NO						
<a href="#">5-103635-3</a>	NO						

Part Number	Part Discontinued per PCN	Customer Drawing	Customer Part Number	Alias Part Number(s)	Substitute Part Number	Substitute Alias Part Number(s)	Description Of Difference
<a href="#">5-103635-4</a>	NO						
<a href="#">5-103635-4</a>	NO						
<a href="#">5-103635-5</a>	NO						
<a href="#">5-103635-5</a>	NO						
<a href="#">5-103639-1</a>	NO						
<a href="#">5-103639-1</a>	NO						
<a href="#">5-103639-3</a>	NO						
<a href="#">5-103639-5</a>	NO						
<a href="#">5-103639-7</a>	NO						
<a href="#">5-103669-2</a>	NO						
<a href="#">5-103669-2</a>	NO						
<a href="#">5-103669-3</a>	NO						
<a href="#">5-103669-3</a>	NO						
<a href="#">5-103669-4</a>	NO						
<a href="#">5-103669-6</a>	NO						
<a href="#">5-103673-3</a>	NO						
<a href="#">5-103735-1</a>	NO						
<a href="#">5-103735-1</a>	NO						
<a href="#">5-103735-4</a>	NO						
<a href="#">5-103735-5</a>	NO						
<a href="#">5-103735-9</a>	NO						
<a href="#">5-103904-7</a>	NO						
<a href="#">5-103908-1</a>	NO						
<a href="#">5-103908-1</a>	NO						
<a href="#">5-103908-2</a>	NO						
<a href="#">5-103908-2</a>	NO						
<a href="#">5-103908-3</a>	NO						
<a href="#">5-103908-5</a>	NO						
<a href="#">5-103908-5</a>	NO						
<a href="#">5-104362-1</a>	NO						
<a href="#">5-104362-1</a>	NO						
<a href="#">5-104362-5</a>	NO						
<a href="#">5-104362-6</a>	NO						
<a href="#">5-104362-8</a>	NO						
<a href="#">5-104935-6</a>	NO			"2-42938-4341"			
<a href="#">5-1375583-2</a>	NO						
<a href="#">5-147278-2</a>	NO						
<a href="#">6-103672-5</a>	NO						
<a href="#">6-103904-1</a>	NO						
<a href="#">6-104362-1</a>	NO						
<a href="#">6-104910-3</a>	NO						

Customer: Future Electronics UK ( 2833922 )  
Part Number(s) being Modified:

Location: Hayes

Agreement Number: Agreement Unknown

Part Number	Part Discontinued per PCN	Customer Drawing	Customer Part Number	Alias Part Number(s)	Substitute Part Number	Substitute Alias Part Number(s)	Description Of Difference
<a href="#">5-103635-3</a>	NO						
<a href="#">5-103635-9</a>	NO						
<a href="#">5-103639-1</a>	NO						
<a href="#">5-103639-2</a>	NO						
<a href="#">5-103639-3</a>	NO						
<a href="#">5-103639-5</a>	NO						
<a href="#">5-103669-3</a>	NO						
<a href="#">5-103673-1</a>	NO						
<a href="#">5-103673-2</a>	NO						
<a href="#">5-103673-3</a>	NO						
<a href="#">5-103673-4</a>	NO						
<a href="#">5-103735-1</a>	NO						
<a href="#">5-103735-2</a>	NO						
<a href="#">5-103735-3</a>	NO						
<a href="#">5-103735-5</a>	NO						
<a href="#">5-103904-1</a>	NO						
<a href="#">5-103908-1</a>	NO						
<a href="#">5-103908-3</a>	NO						
<a href="#">5-103908-7</a>	NO						
<a href="#">5-104361-3</a>	NO						
<a href="#">5-104362-1</a>	NO						
<a href="#">5-104362-7</a>	NO						
<a href="#">5-104362-9</a>	NO						
<a href="#">5-104935-5</a>	NO						
<a href="#">5-104935-6</a>	NO			"2-42938-4341"			
<a href="#">5-147278-2</a>	NO						
<a href="#">5-147278-4</a>	NO						

The documents listed below are being modified. Related parts that are not explicitly listed on this PCN are not being modified or discontinued as per the PCN. The Last Order Date, Last Ship Date, First Date to Ship Changed Parts and last date for Mixed Shipments apply only to parts explicitly listed on this PCN.

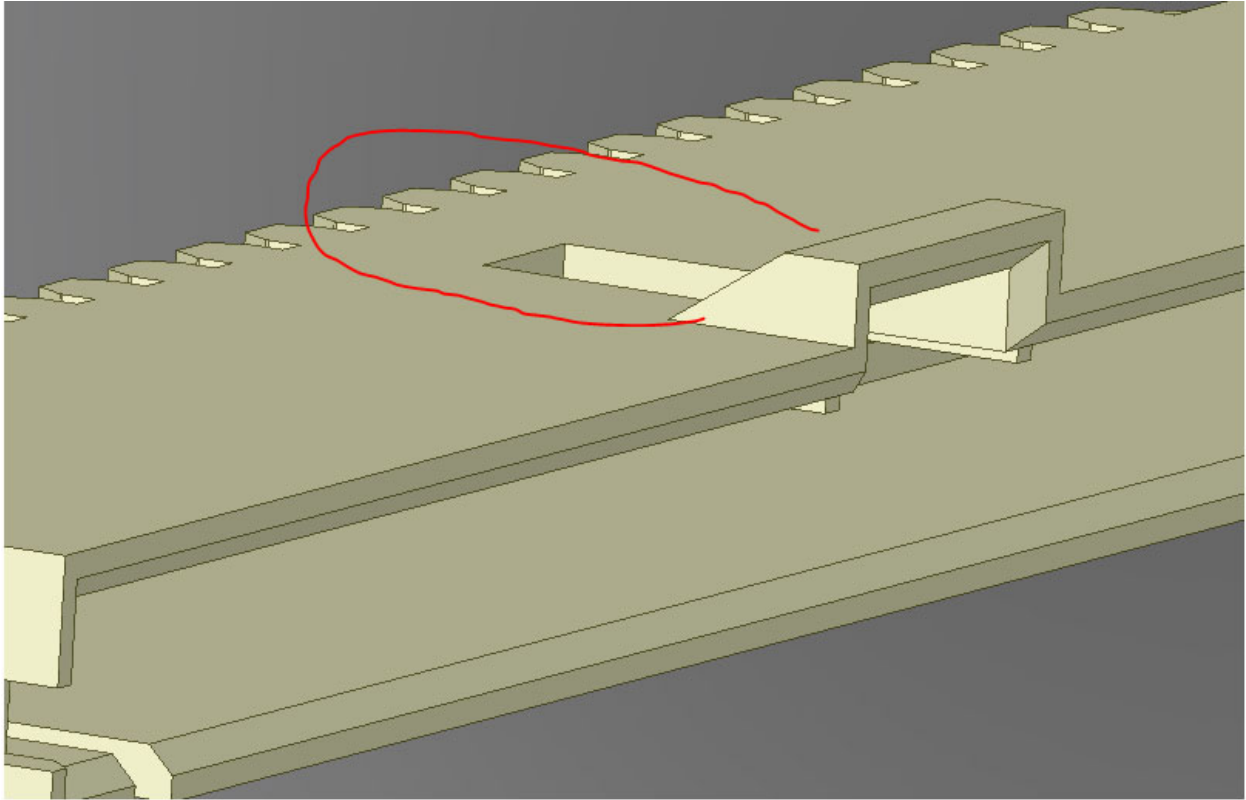
Customer Drawing(s) Being Modified:

Drawing Number	Related Part Number	Customer Part Number	Current Revision	New Revision
<a href="#">103635</a>	5-103635-3		U	
<a href="#">103639</a>	5-103639-1		AA	
<a href="#">103669</a>	5-103669-3		AC	
<a href="#">103673</a>	5-103673-1		V	
<a href="#">103735</a>	5-103735-1		W	
<a href="#">103904</a>	5-103904-1		S	
<a href="#">103906</a>	103906-2		P	
<a href="#">103908</a>	5-103908-1		S	
<a href="#">104361</a>	5-104361-3		S	
<a href="#">104362</a>	5-104362-1		W	
<a href="#">104363</a>	5-104363-1		U	
<a href="#">104935</a>	5-104935-5		H	
<a href="#">147278</a>	5-147278-2		M1	

**OPTIONAL MTE SHROUDED HEADER HOUSING**

**(Optional at Molder's Discretion)**

**ORIGINAL HOUSING - ACCEPTABLE**



**OPTIONAL HOUSING - ACCEPTABLE**

