

ECN/PCN No.: M1324

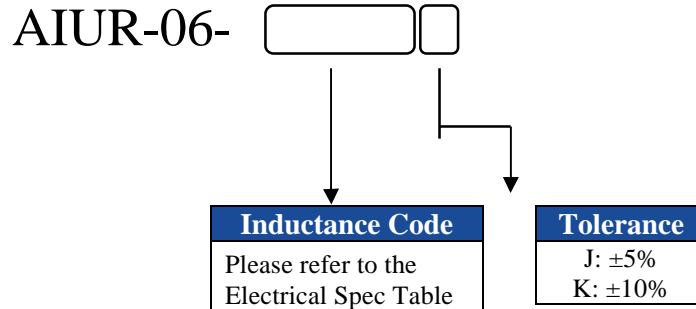
For Manufacturer			
<b>Product Description:</b> UNSHIELDED RADIAL POWER INDUCTOR	<b>Abracon Part Number / Part Series:</b> AIUR-06	<input type="checkbox"/> Documentation only	<input checked="" type="checkbox"/> Series
		<input checked="" type="checkbox"/> ECN	<input type="checkbox"/> Part Number
		<input type="checkbox"/> EOL	
<b>Affected Revision:</b> E	<b>New Revision:</b> F	<b>Application:</b>	<input type="checkbox"/> Safety
			<input checked="" type="checkbox"/> Non-Safety

Prior to Change:

## 1.0 Key Electrical Specifications

Part Number	Inductance	Tolerance	DCR (Max)	Saturation Current (Max)	Temperature Rise Current (Max)	Inductance Code
Units	μH	%	Ω	A	A	
Symbol	L	K	DCR	Isat	I <sub>DC</sub>	
AIUR-06-3R9	3.9	K	0.016	14.2	6.5	3R9K
AIUR-06-4R7	4.7	K	0.018	13.0	6.2	4R7K
AIUR-06-5R6	5.6	K	0.021	11.0	5.9	5R6K
AIUR-06-6R8	6.8	K	0.023	10.0	5.6	6R8K
AIUR-06-8R2	8.2	K	0.026	9.5	5.3	8R2K
AIUR-06-100	10	K	0.031	8.8	5.0	100K
AIUR-06-120	12	K	0.036	7.9	4.6	120K
AIUR-06-150	15	K	0.040	7.1	4.4	150K
AIUR-06-180	18	K	0.041	7.4	4.2	180K
AIUR-06-220	22	K	0.043	6.1	4.0	220K
AIUR-06-270	27	K	0.046	5.5	3.8	270K
AIUR-06-330	33	K	0.051	5.2	3.6	330K
AIUR-06-390	39	K	0.054	4.5	3.3	390K
AIUR-06-470	47	K	0.063	4.1	3.2	470K
AIUR-06-560	56	K	0.075	3.8	2.7	560K
AIUR-06-680	68	K	0.078	3.5	2.4	680K
AIUR-06-820	82	K	0.088	3.1	2.2	820K
AIUR-06-101	100	J, K	0.108	2.8	2.1	101K
AIUR-06-121	120	J, K	0.127	2.6	2.0	121K
AIUR-06-151	150	J, K	0.162	2.4	1.9	151K
AIUR-06-181	180	J, K	0.228	2.1	1.6	181K
AIUR-06-221	220	J, K	0.252	1.9	1.5	221K
AIUR-06-271	270	J, K	0.270	1.75	1.4	271K
AIUR-06-331	330	J, K	0.394	1.62	1.3	331K
AIUR-06-391	390	J, K	0.416	1.40	1.1	391K
AIUR-06-471	470	J, K	0.568	1.30	1.0	471K
AIUR-06-561	560	J, K	0.650	1.20	0.95	561K
AIUR-06-681	680	J, K	0.740	1.10	0.82	681K
AIUR-06-821	820	J, K	1.0	0.96	0.75	821K
AIUR-06-102	1000	J, K	1.2	0.88	0.65	102K
AIUR-06-122	1200	J, K	1.5	0.80	0.61	122K
AIUR-06-152	1500	J, K	1.7	0.72	0.54	152K
AIUR-06-182	1800	J, K	1.8	0.66	0.46	182K
AIUR-06-222	2200	J, K	2.4	0.60	0.41	222K
AIUR-06-272	2700	J, K	2.8	0.54	0.39	272K
AIUR-06-332	3300	J, K	3.7	0.48	0.35	332K
AIUR-06-392	3900	J, K	5.0	0.42	0.31	392K
AIUR-06-472	4700	J, K	5.6	0.40	0.28	472K
AIUR-06-562	5600	J, K	6.3	0.37	0.25	562K
AIUR-06-682	6800	J, K	8.4	0.34	0.22	682K
AIUR-06-822	8200	J, K	9.6	0.31	0.20	822K
AIUR-06-103	10000	J, K	10.5	0.29	0.16	103K
AIUR-06-123	12000	J, K	14.5	0.25	0.13	123K
AIUR-06-153	15000	J, K	20.5	0.23	0.10	153K

**2.0 Part Number Identification**

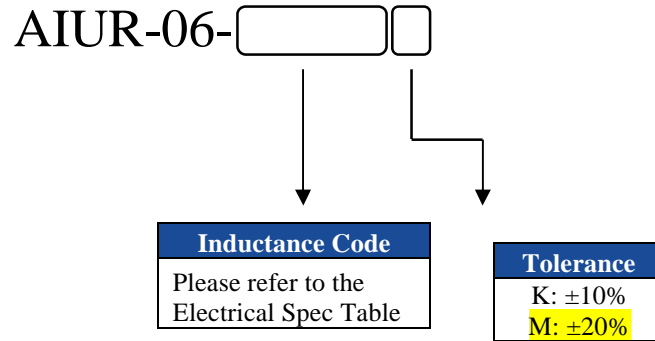


**3.0 Packing (200pcs / Bag)**

**After Change:**
**2.0 Key Electrical Specifications**

Part Number	Inductance	Tolerance	DCR (Max)	Saturation Current (Max)	Temperature Rise Current (Max)	Inductance Code
Units	$\mu\text{H}$	%	$\Omega$	A	A	
Symbol	L	K	DCR	Isat	I <sub>dc</sub>	
AIUR-06-3R9	3.9	K M	0.016	14.2	6.5	3R9K
AIUR-06-4R7	4.7	K M	0.018	13.0	6.2	4R7K
AIUR-06-5R6	5.6	K M	0.021	11.0	5.9	5R6K
AIUR-06-6R8	6.8	K M	0.023	10.0	5.6	6R8K
AIUR-06-8R2	8.2	K	0.026	9.5	5.3	8R2K
AIUR-06-100	10	K	0.031	8.8	5.0	100K
AIUR-06-120	12	K	0.036	7.9	4.6	120K
AIUR-06-150	15	K	0.040	7.1	4.4	150K
AIUR-06-180	18	K	0.041	7.4	4.2	180K
AIUR-06-220	22	K	0.043	6.1	4.0	220K
AIUR-06-270	27	K	0.046	5.5	3.8	270K
AIUR-06-330	33	K	0.051	5.2	3.6	330K
AIUR-06-390	39	K	0.054	4.5	3.3	390K
AIUR-06-470	47	K	0.063	4.1	3.2	470K
AIUR-06-560	56	K	0.075	3.8	2.7	560K
AIUR-06-680	68	K	0.078	3.5	2.4	680K
AIUR-06-820	82	K	0.088	3.1	2.2	820K
AIUR-06-101	100	K	0.108	2.8	2.1	101K
AIUR-06-121	120	K	0.127	2.6	2.0	121K
AIUR-06-151	150	K	0.162	2.4	1.9	151K
AIUR-06-181	180	K	0.228	2.1	1.6	181K
AIUR-06-221	220	K	0.252	1.9	1.5	221K
AIUR-06-271	270	K	0.270	1.75	1.4	271K
AIUR-06-331	330	K	0.394	1.62	1.3	331K
AIUR-06-391	390	K	0.416	1.40	1.1	391K
AIUR-06-471	470	K	0.568	1.30	1.0	471K
AIUR-06-561	560	K	0.650	1.20	0.95	561K
AIUR-06-681	680	K	0.740	1.10	0.82	681K
AIUR-06-821	820	K	1.0	0.96	0.75	821K
AIUR-06-102	1000	K	1.2	0.88	0.65	102K
AIUR-06-122	1200	K	1.5	0.80	0.61	122K
AIUR-06-152	1500	K	1.7	0.72	0.54	152K
AIUR-06-182	1800	K	1.8	0.66	0.46	182K
AIUR-06-222	2200	K	2.4	0.60	0.41	222K
AIUR-06-272	2700	K	2.8	0.54	0.39	272K
AIUR-06-332	3300	K	3.7	0.48	0.35	332K
AIUR-06-392	3900	K	5.0	0.42	0.31	392K
AIUR-06-472	4700	K	5.6	0.40	0.28	472K
AIUR-06-562	5600	K	6.3	0.37	0.25	562K
AIUR-06-682	6800	K	8.4	0.34	0.22	682K
AIUR-06-822	8200	K	9.6	0.31	0.20	822K
AIUR-06-103	10000	K	10.5	0.29	0.16	103K
AIUR-06-123	12000	K	14.5	0.25	0.13	123K
AIUR-06-153	15000	K	20.5	0.23	0.10	153K

**3.0 Part Number Identification**



**4.0 Packing (100pcs / tray)**

**Cause/Reason for Change:** Packaging was changed to (100pcs/tray) to prevent leads from bending; relaxed tolerance on 3R9, 4R7, 5R6, and 8R2; 'J' tolerance was discontinued. (Refer to **Partial EOL-ECN M1324 AIUR-06**)

### Change Plan

<b>Effective Date:</b>	<b>Additional Remarks:</b>
------------------------	----------------------------

**Change Declaration:** The change does not affect fit or function of any device in the series.

<b>Issued Date:</b> 11/2/2021	<b>Issued By:</b> <i>Ahmed Alamin</i>	<b>Issued Department:</b> Engineering
<b>Approval:</b> <i>Syed Raza</i> Engineering VP	<b>Approval:</b> <i>Reuben Quintanilla</i> Quality Director	<b>Approval:</b> <i>Ying Huang</i> Purchasing Director

### For Abracon EOL only

<b>Last Time Buy (if applicable):</b>	<b>Alternate Part Number / Part Series:</b>
---------------------------------------	---------------------------------------------

<b>Additional Approval:</b>	<b>Additional Approval:</b>	<b>Additional Approval:</b>
-----------------------------	-----------------------------	-----------------------------

### Customer Approval (If Applicable)

**Qualification Status:**

Approved  Not accepted

*Note: It is considered approved if there is no feedback from the customer 1 month after ECN/PCN is released.*

<b>Customer Part Number:</b>	<b>Customer Project:</b>
------------------------------	--------------------------

<b>Company Name:</b>	<b>Company Representative:</b>	<b>Representative Signature:</b>
----------------------	--------------------------------	----------------------------------

**Customer Remarks:**

Affected part numbers

AIUR-06-8R2K

AIUR-06-100K

AIUR-06-120K

AIUR-06-150K

AIUR-06-180K

AIUR-06-220K

AIUR-06-270K

AIUR-06-330K

AIUR-06-390K

AIUR-06-470K

AIUR-06-560K

AIUR-06-680K

AIUR-06-820K

AIUR-06-101K

AIUR-06-121K

AIUR-06-151K

AIUR-06-181K

AIUR-06-221K

AIUR-06-271K

AIUR-06-331K

AIUR-06-391K

AIUR-06-471K

AIUR-06-561K

AIUR-06-681K

AIUR-06-821K

AIUR-06-102K

AIUR-06-122K

AIUR-06-152K

AIUR-06-182K

AIUR-06-222K

AIUR-06-272K

AIUR-06-332K

AIUR-06-392K

AIUR-06-472K

AIUR-06-562K

AIUR-06-682K

AIUR-06-822K

AIUR-06-103K

AIUR-06-123K

AIUR-06-153K

AIUR-06-3R9M

AIUR-06-4R7M

AIUR-06-5R6M

AIUR-06-6R8M

AIUR-06-3R9

AIUR-06-4R7

AIUR-06-5R6  
AIUR-06-6R8  
AIUR-06-8R2  
AIUR-06-100  
AIUR-06-120  
AIUR-06-150  
AIUR-06-180  
AIUR-06-220  
AIUR-06-270  
AIUR-06-330  
AIUR-06-390  
AIUR-06-470  
AIUR-06-560  
AIUR-06-680  
AIUR-06-820  
AIUR-06-101  
AIUR-06-121  
AIUR-06-151  
AIUR-06-181  
AIUR-06-221  
AIUR-06-271  
AIUR-06-331  
AIUR-06-391  
AIUR-06-471  
AIUR-06-561  
AIUR-06-681  
AIUR-06-821  
AIUR-06-102  
AIUR-06-122  
AIUR-06-152  
AIUR-06-182  
AIUR-06-222  
AIUR-06-272  
AIUR-06-332  
AIUR-06-392  
AIUR-06-472  
AIUR-06-562  
AIUR-06-682  
AIUR-06-822  
AIUR-06-103  
AIUR-06-123  
AIUR-06-153

# Unshielded Radial Power Inductor



## AIUR-06 Series

Request Samples



Check Inventory



18.0 x  $\phi$ 13.0mm

RoHS/RoHS II Compliant

MSL Level = N/A

### Features

- Ferrite core with heat shrink tube
- High Reliability

### Applications

- Switching Power Supplies
- Noise Filtering
- DC to DC Converters
- Electronic Household Appliances
- Buzzers and Alarm Systems
- Television and Audio Equipment

### Electrical Specifications

Part Number	Inductance	Tolerance	DCR (Max)	Saturation Current (Max)	Temperature Rise Current (Max)	Inductance Code
Units	$\mu$ H	%	$\Omega$	A	A	
Symbol	L	K	DCR	I <sub>sat</sub>	I <sub>DC</sub>	
AIUR-06-3R9	3.9	M	0.016	14.2	6.5	3R9K
AIUR-06-4R7	4.7	M	0.018	13.0	6.2	4R7K
AIUR-06-5R6	5.6	M	0.021	11.0	5.9	5R6K
AIUR-06-6R8	6.8	M	0.023	10.0	5.6	6R8K
AIUR-06-8R2	8.2	K	0.026	9.5	5.3	8R2K
AIUR-06-100	10	K	0.031	8.8	5.0	100K
AIUR-06-120	12	K	0.036	7.9	4.6	120K
AIUR-06-150	15	K	0.040	7.1	4.4	150K
AIUR-06-180	18	K	0.041	7.4	4.2	180K
AIUR-06-220	22	K	0.043	6.1	4.0	220K
AIUR-06-270	27	K	0.046	5.5	3.8	270K
AIUR-06-330	33	K	0.051	5.2	3.6	330K
AIUR-06-390	39	K	0.054	4.5	3.3	390K
AIUR-06-470	47	K	0.063	4.1	3.2	470K
AIUR-06-560	56	K	0.075	3.8	2.7	560K
AIUR-06-680	68	K	0.078	3.5	2.4	680K
AIUR-06-820	82	K	0.088	3.1	2.2	820K
AIUR-06-101	100	K	0.108	2.8	2.1	101K
AIUR-06-121	120	K	0.127	2.6	2.0	121K
AIUR-06-151	150	K	0.162	2.4	1.9	151K
AIUR-06-181	180	K	0.228	2.1	1.6	181K
AIUR-06-221	220	K	0.252	1.9	1.5	221K
AIUR-06-271	270	K	0.270	1.75	1.4	271K
AIUR-06-331	330	K	0.394	1.62	1.3	331K
AIUR-06-391	390	K	0.416	1.40	1.1	391K
AIUR-06-471	470	K	0.568	1.30	1.0	471K
AIUR-06-561	560	K	0.650	1.20	0.95	561K
AIUR-06-681	680	K	0.740	1.10	0.82	681K
AIUR-06-821	820	K	1.0	0.96	0.75	821K



# Unshielded Radial Power Inductor



## AIUR-06 Series

Request Samples



Check Inventory



18.0 x  $\phi$ 13.0mm  
RoHS/RoHS II Compliant  
MSL Level = N/A

Part Number	Inductance	Tolerance	DCR (Max)	Saturation Current (Max)	Temperature Rise Current (Max)	Inductance Code
Units	$\mu$ H	%	$\Omega$	A	A	
Symbol	L	K	DCR	Isat	IDC	
AIUR-06-152	1500	K	1.7	0.72	0.54	152K
AIUR-06-182	1800	K	1.8	0.66	0.46	182K
AIUR-06-222	2200	K	2.4	0.60	0.41	222K
AIUR-06-272	2700	K	2.8	0.54	0.39	272K
AIUR-06-332	3300	K	3.7	0.48	0.35	332K
AIUR-06-392	3900	K	5.0	0.42	0.31	392K
AIUR-06-472	4700	K	5.6	0.40	0.28	472K
AIUR-06-562	5600	K	6.3	0.37	0.25	562K
AIUR-06-682	6800	K	8.4	0.34	0.22	682K
AIUR-06-822	8200	K	9.6	0.31	0.20	822K
AIUR-06-103	10000	K	10.5	0.29	0.16	103K
AIUR-06-123	12000	K	14.5	0.25	0.13	123K
AIUR-06-153	15000	K	20.5	0.23	0.10	153K

### Test Conditions and equipment

Test frequency: 1kHz, 0.25Vrms

Isat: max. 10% inductance drop from initial value

IDC: The DC current at which the temperature rise is 40°C max

**Operating Temperature:** -40°C ~ +125°C (Including Self-heating)

**Storage Temperature:** -40°C ~ +125°C

**Operating Voltage (COILS-CORE): 500V MAX**

**AIUR-06 Series is RoHS/RoHS II Compliant and Pb free**

# Unshielded Radial Power Inductor



AIUR-06 Series

Request Samples

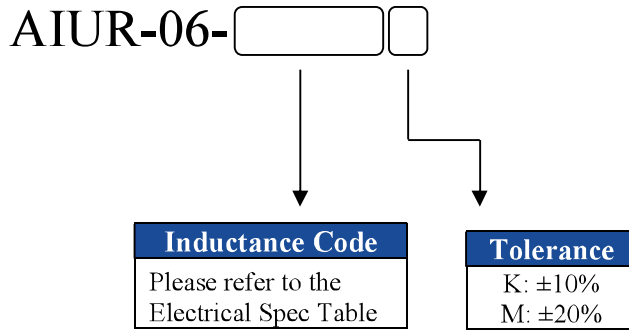


Check Inventory

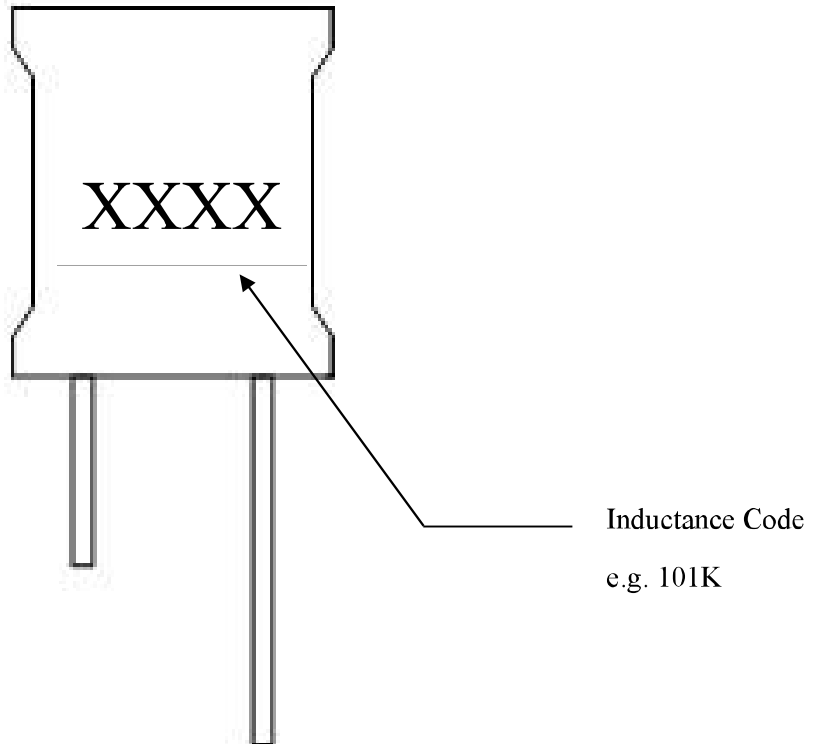


18.0 x  $\phi$ 13.0mm  
RoHS/RoHS II Compliant  
MSL Level = N/A

## Part Identification



## Marking



Marking Method = Ink Marking

# Unshielded Radial Power Inductor



AIUR-06 Series

Request Samples

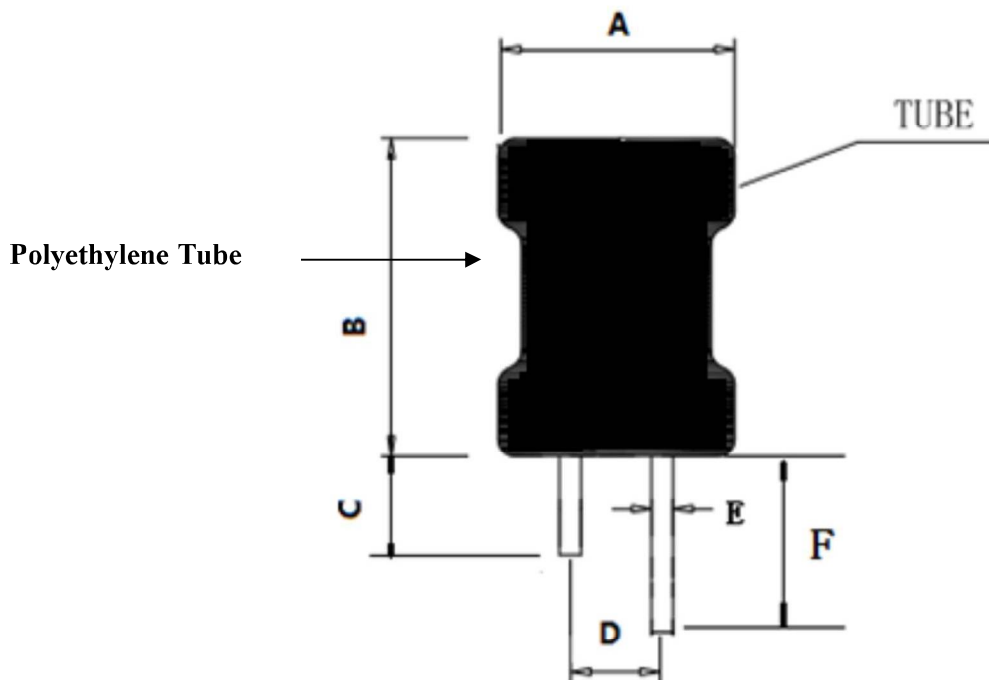


Check Inventory



18.0 x  $\phi$ 13.0mm  
RoHS/RoHS II Compliant  
MSL Level = N/A

## Mechanical Specifications



A	B	C	D	E	F
13.5 MAX	18.0 MAX	9.5 $\pm$ 1	7.5 REF	0.8	15.8 $\pm$ 1

Dimension: mm

## Packaging

Packaging: (100pcs / tray)

**ATTENTION:** Abracon LLC's products are COTS – Commercial-Off-The-Shelf products; suitable for Commercial, Industrial and, where designated, Automotive Applications. Abracon's products are not specifically designed for Military, Aviation, Aerospace, Life-dependent Medical applications or any application requiring high reliability where component failure could result in loss of life and/or property. For applications requiring high reliability and/or presenting an extreme operating environment, written consent and authorization from Abracon LLC is required. Please contact Abracon LLC for more information.



5101 Hidden Creek Ln Spicewood TX 78669  
Phone: 512-371-6159 | Fax: 512-351-8858  
For terms and conditions of sales, please visit:  
[www.abracon.com](http://www.abracon.com)

REVISION: F 11-02-21

ABRACON IS  
ISO9001-2015  
CERTIFIED

# Unshielded Radial Power Inductor

## AIUR-06 Series

### 1.0 Note

- i) The parts are manufactured in accordance with this specification. If other conditions and specifications which are required for this specification, please contact ABRACON for more information.
- ii) ABRACON will supply the parts in accordance with this specification unless we receive a written request to modify prior to an order placement.
- iii) In no case shall ABRACON be liable for any product failure from in appropriate handling or operation of the item beyond the scope of this specification.
- iv) When changing your production process, please notify ABRACON immediately.
- v) ABRACON's products are COTS – Commercial-Off-The-Shelf products; suitable for Commercial, Industrial and, where designated, Automotive Applications. ABRACON's products are not specifically designed for Military, Aviation, Aerospace, Life-dependent Medical applications or any application requiring high reliability where component failure could result in loss of life and/or property. For applications requiring high reliability and/or presenting an extreme operating environment, written consent and authorization from ABRACON LLC. is required. Please contact ABRACON LLC for more information.

### 2.0 ABRACON LLC - TERMS & CONDITION OF SALE

The following are the terms and conditions under which Abracon LLC ("AB") agrees to sell, to the entity named on the face hereof ("Buyer"), the products specified on the face hereof (the "Products"). Notwithstanding Buyer's desire to use standardized RFQs, purchase order forms, order forms, acknowledgment forms and other documents which may contain terms in addition to or at variance with these terms, it is expressly understood and agreed that other forms shall neither add to, nor vary, these terms whether or not these terms are referenced therein. Buyer may assent to these terms by written acknowledgment, implication and/or by acceptance or payment of goods ordered any of which will constitute assent.

1. **Prices:** Prices shown on the face hereof are in US dollars, with delivery terms specified herein and are exclusive of any other charges including, without limitation, fees for export, special packaging, freight, insurance and similar charges. AB reserves the right to increase the price of Products by written notice to Buyer at least thirty (30) days prior to the original date of shipment. When quantity price discounts are quoted by AB, the discounts are computed separately for each type of product to be sold and are based upon the quantity of each type and each size ordered at any one time. If any discounted order is reduced by Buyer with AB's consent, the prices shall be adjusted to the higher prices, if applicable, for the remaining order.
2. **Taxes:** Unless otherwise specified in the quotation, the prices do not include any taxes, import or export duties, tariffs, customs charges or any such other levies. Buyer agrees to reimburse AB the amount of any federal, state, county, municipal, or other taxes, duties, tariffs, or custom charges AB is required to pay. If Buyer is exempt from any such charges, Buyer must provide AB with appropriate documentation.
3. **Payment Terms:** For each shipment, AB will invoice Buyer for the price of the Products plus all applicable taxes, packaging, transportation, insurance and other charges. Unless otherwise stated in a separate agreement or in AB's quotation, payments are due within thirty (30) days from the date of invoice, subject to AB's approval of Buyer's credit application. All invoicing disputes must be submitted in writing to AB within ten (10) days of the receipt of the invoice accompanied by a reasonably detailed explanation of the dispute. Payment of the undisputed amounts shall be made timely. AB reserves the right to require payment in advance or C.O.D. and otherwise modified credit terms. When partial shipments are made, payments for such shipments shall become due in accordance with the above terms upon submission of invoices. If, at the request of Buyer, shipment is postponed for more than thirty (30) days, payment will become due thirty days after notice to Buyer that Products



# Unshielded Radial Power Inductor

## AIUR-06 Series

are ready for shipment. Any unpaid due amounts will be subject to interest at one decimal five percent (1.5%) per month, or, if less, the maximum rate allowed by law.

4. **Delivery and Shipment:** Shipment dates are estimates only. Failure to deliver by a specified date shall neither entitle Buyer to any compensation nor impose any liability on AB. AB reserves the right to ship and bill ten percent more or less than the exact quantity specified on the face hereof. All shipments will be made Ex Works as per Incoterms 2000 from AB's place of shipment. In the absence of specific instructions, AB will select the carrier. Claims against AB for shortages must be made in writing within ten (10) days after the arrival of the shipment. AB is not required to notify Buyer of the shipment. Buyer shall pay all freight charges, insurance and other shipping expenses. Freight charges, insurance and other shipping expenses itemized in advance of actual shipment, if any, are estimates only that are calculated on the basis of standard tariffs and may not reflect actual costs. Buyer must pay actual costs.
5. **Purchase Order Changes and Cancellations:** Purchase orders for standard AB Products may not be canceled within sixty (60) days of the original shipping date. Purchase orders for non-standard AB Products are non-cancelable and non-returnable. All schedule changes must be requested at least thirty (30) days prior to original shipping date. Maximum schedule change "push-out" shall be no more than thirty (30) days from original shipping date. AB may terminate or cancel this order, in whole or in part, at any time prior to the completion of performance by written notice to Buyer without incurring any liability to Buyer for breach of contract or otherwise. AB reserves the right to allocate Products in its sole discretion among Buyer and other potential buyers, or defer or delay the shipment of any Product, which is in short supply due to any reason.
6. **Title and Risk of Loss:** AB's responsibility for any loss or damage ends, and title passes, when Products are delivered Ex Works as per Incoterms 2000 at AB's designated shipping location to carrier, to Buyer or to Buyer's agent, whichever occurs first.
7. **Packing:** Packaging shall be AB's standard shipping materials or as specified on the face hereof. Any cost of non-standard packaging and handling requested by Buyer shall be abided by AB provided Buyer gives reasonable prior notice and agrees in writing to pay additional costs.
8. **Security Interest:** Buyer hereby grants AB a purchase money security interest in the Products sold and in the proceeds of resale of such Products until such time as Buyer has paid all charges. AB retains all right and remedies available to AB under the Uniform Commercial Code.
9. **Specifications:** Specifications for each Product are the specifications specified in the published datasheets of such Product, as of the date of AB's quotation (the "Specifications"). Except as otherwise agreed, AB reserves the right to modify the Specifications at any time without adversely affecting the functionality.
10. **Acceptance:** Unless Buyer notifies AB in writing within ten (10) days from the date of receipt of Products that the Products fail to conform to the Specifications, the Products will be deemed accepted by Buyer. No such claim of non-conformity shall be valid if (i) the Products have been altered, modified or damaged by Buyer, (ii) the rejection notice fails to explain the non-conformance in reasonable detail and is not accompanied by a test report evidencing the non-conformity, or (iii) rejected Products are not returned to AB within thirty (30) days of rejection; provided, that no Product returns may be made without a return material authorization issued by AB.
11. **Limited Warranties and Disclaimers:** AB warrants to Buyer that each Product, for a period of twelve (12) months from shipment date thereof, will conform to the Specifications and be free from defects in materials and workmanship. AB's sole liability and Buyer's exclusive remedy for Products that fail to conform to this limited warranty ("Defective Products") is limited to repair or replacement of such Defective Products, or issue a credit or rebate of no more than the purchase price of such Defective Products, at AB's sole option and election. This warranty shall not apply: (i) if Products have been damaged or submitted to abnormal conditions (mechanical, electrical, or thermal) during transit, storage, installation, or use; or (ii) if Products are subject to Improper Use (as defined below); or (iii) if the non-conformance of Products results from misuse, neglect, improper testing, storage, installation, unauthorized repair, alteration, or excess usage at or beyond the maximum values (temperature limit, maximum voltage, and other Specification limits) defined by AB; (iv) to any other default not attributable to AB; or (v) removal, alteration, or tampering of the original AB product labeling. This warranty does not extend



5101 Hidden Creek Ln Spicewood TX 78669  
Phone: 512-371-6159 | Fax: 512-351-8858  
For terms and conditions of sales, please visit:  
[www.abracon.com](http://www.abracon.com)

REVISED: 08-09-19

ABRACON IS  
ISO9001-2015  
CERTIFIED

# Unshielded Radial Power Inductor

## AIUR-06 Series

to Products or components purchased from entities other than AB or AB's authorized distributors or to third-party software or documentation that may be supplied with any Product. In the event no defect or breach of warranty is discovered by AB upon receipt of any returned Product, such Product will be returned to Buyer at Buyer's expense and Buyer will reimburse AB for the transportation charges, labor, and associated charges incurred in testing the allegedly Defective Product. The above warranty is for Buyer's benefit only, and is non-transferable. OTHER THAN THE LIMITED WARRANTY SET FORTH ABOVE, AB MAKES NO WARRANTIES, EXPRESS, STATUTORY, IMPLIED, OR OTHERWISE AND SPECIFICALLY DISCLAIMS THE IMPLIED WARRANTIES OF MERCHANTABILITY, FITNESS FOR A PARTICULAR PURPOSE AND NON-INFRINGEMENT, TO THE MAXIMUM EXTENT PERMITTED BY LAW. WITHOUT LIMITING THE GENERALITY OF THE FOREGOING DISCLAIMERS, AB INCORPORATES BY REFERENCE ANY PRODUCT-SPECIFIC WARRANTY DISCLAIMERS SET FORTH IN THE PUBLISHED PRODUCT DATASHEETS.

12. **Limitation of Liability:** AB SHALL HAVE NO LIABILITY FOR LOSS ARISING FROM ANY CLAIM MADE AGAINST BUYER, OR FOR SPECIAL, INDIRECT, RELIANCE, INCIDENTAL, CONSEQUENTIAL, OR PUNITIVE DAMAGES INCLUDING, WITHOUT LIMITATION, LOSS OF USE, PROFITS, REVENUES, OR COST OF PROCUREMENT OF SUBSTITUTE GOODS BASED ON ANY BREACH OR DEFAULT OF AB, HOWEVER CAUSED, AND UNDER ANY THEORY OF LIABILITY. BUYER'S SOLE REMEDY AND AB'S SOLE AND TOTAL LIABILITY FOR ANY CAUSE OF ACTION, WHETHER IN CONTRACT (INCLUDING BREACH OF WARRANTY) OR TORT (INCLUDING NEGLIGENCE OR MISREPRESENTATION) OR UNDER STATUTE OR OTHERWISE SHALL BE LIMITED TO AND SHALL NOT EXCEED THE AGGREGATE AMOUNTS PAID BY BUYER TO AB FOR PRODUCTS WHICH GIVE RISE TO CLAIMS. BUYER SHALL ALWAYS INFORM AB OF ANY BREACH AND AFFORD AB REASONABLE OPPORTUNITY TO CORRECT ANY BREACH. THE FOREGOING LIMITATIONS SHALL APPLY REGARDLESS OF WHETHER AB HAS BEEN ADVISED OF THE POSSIBILITY OF SUCH DAMAGES AND NOTWITHSTANDING THE FAILURE OF ESSENTIAL PURPOSE OF ANY LIMITED REMEDY.
13. **Improper Use:** Buyer agrees and covenants that, without AB's prior written approval, Products will not be used in life support systems, human implantation, nuclear facilities or systems or any other application where Product failure could lead to loss of life or catastrophic property damage (each such use being an "Improper Use"). Buyer will indemnify and hold AB harmless from any loss, cost, or damage resulting from Improper Use of the Products.
14. **Miscellaneous:** In the event of any insolvency or inability to pay debts as they become due by Buyer, or voluntary or involuntary bankruptcy proceeding by or against Buyer, or appointment of a receiver or assignee for the benefit of creditors of Buyer, AB may elect to cancel any unfulfilled obligations. No Products or underlying information or technology may be exported or re-exported, directly or indirectly, contrary to US law or US Government export controls. AB will be excused from any obligation to the extent performance thereof is caused by, or arises in connection with, acts of God, fire, flood, riots, material shortages, strikes, governmental acts, disasters, earthquakes, inability to obtain labor or materials through its regular sources, delay in delivery by AB's supplies or any other reason beyond the reasonable control of AB. In the event any one or more of the provisions contained herein shall for any reason be held to be invalid, illegal, or unenforceable in any respect, such invalidity, illegality, or unenforceability shall not affect any other provision hereof and these terms shall be construed as if such invalid, illegal, or unenforceable provision had never been contained herein. A waiver of a breach or default under these terms shall not be a waiver of any subsequent default. Failure of AB to enforce compliance with any of these terms shall not constitute a waiver of such terms. These terms are governed by the laws of the State of California without reference to conflict of law principles. The federal and state courts located within the State of California will have exclusive jurisdiction to adjudicate any dispute arising out of these terms.