



Product Change Notification / NTDO-28XWRK640

Date:

30-Jul-2021

Product Category:

Microprocessors

PCN Type:

Manufacturing Change

Notification Subject:

CCB 4758 Initial Notice: Qualification of MPHL as a new final test site for selected ATSAMA5D2xx device family in 289L LFBGA (14x14x1.4mm) package.

Affected CPNs:

[NTDO-28XWRK640_Affected_CPN_07302021.pdf](#)
[NTDO-28XWRK640_Affected_CPN_07302021.csv](#)

Notification Text:

PCN Status: Initial notification

PCN Type: Manufacturing Change

Microchip Parts Affected: Please open one of the files found in the Affected CPNs section.

NOTE: For your convenience Microchip includes identical files in two formats (.pdf and .xls).

Description of Change: Qualification of MPHL as a new final test site for selected ATSAMA5D2XX device family in 289L LFBGA (14x14x1.4mm) package.

Pre and Post Change Summary:

	Pre Change	Post Change
--	------------	-------------

Final Test Site		ASE Test (ASE9)	Microchip Technology Operations (Philippines) Corporation (MPHL)
Base Quantity Multiple (BQM)	T/R	1000	1000
	Tray	119	119
Packing Color	T/R	White	White
	Tray	Black	Black
Pin 1 orientation		Quadrant 1	Quadrant 1
Carrier Tape		No dimensional changes*	
Cover Tape		Minor dimensional changes*	
Reel	Color	White	White
	Dimension	With dimensional changes*	
Packing Method		See attached Pre and Post summary	

* See attached Pre and Post Change summary

Impacts to Data Sheet: None

Change Impact:None

Reason for Change: To improve manufacturability by qualifying MPHL as a new final test site.

Change Implementation Status:In Progress

Estimated Qualification Completion Date:December 2021

Note: Please be advised the qualification completion times may be extended because of unforeseen business conditions however implementation will not occur until after qualification has completed and a final PCN has been issued. The final PCN will include the qualification report and estimated first ship date. Also note that after the estimated first ship date guided in the final PCN customers may receive pre and post change parts.

Time Table Summary:

	July 2021					->	December 2021				
Workweek	27	28	29	30	31		49	50	51	52	1
Initial PCN Issue Date					X						
Qual Report Availability							X				

Final PCN Issue Date										X				
----------------------	--	--	--	--	--	--	--	--	--	---	--	--	--	--

Method to Identify Change: Traceability code

Qualification Plan: Please open the attachments included with this PCN labeled as PCN_#_Qual Plan.

Revision History: July 30, 2021: Issued Initial Notification.

The change described in this PCN does not alter Microchip’s current regulatory compliance regarding the material content of the applicable products.

Attachments:

- PCN_NTDO-28XWRK640_Pre and Post Change Summary.pdf
- PCN_NTDO-28XWRK640_Qual_Plan.pdf

Please contact your local **Microchip sales office** with questions or concerns regarding this notification.

Terms and Conditions:

If you wish to receive Microchip PCNs via email please register for our PCN email service at our **PCN home page** select register then fill in the required fields. You will find instructions about registering for Microchips PCN email service in the **PCN FAQ** section.

If you wish to change your PCN profile, including opt out, please go to the **PCN home page** select login and sign into your myMicrochip account. Select a profile option from the left navigation bar and make the applicable selections.



QUALIFICATION PLAN SUMMARY

PCN #: NTDO-28XWRK640

**Date:
July 29, 2021**

**Qualification of MPHL as a new final test site for selected
ATSAMA5D2xx device family in 289L LFBGA
(14x14x1.4mm) package.**

Purpose: Qualification of MPHL as a new final test site for selected ATSAMA5D2xx device family in 289L LFBGA (14x14x1.4mm) package.

CCB No.: 4758

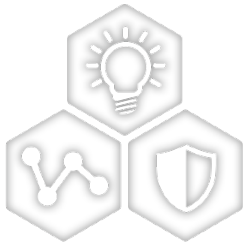
Test / Evaluation	Test Conditions / Parameters
Datalog/Bin Comparison	<ul style="list-style-type: none">• Compare test numbers, test names, test sequence bin assignments & pass/fail results• Accept if all match or justify the differences
Correlation lot report	<ul style="list-style-type: none">• Yield at each step and reject analysis between systems. 3K units are tested for each program conversion we perform.• Accept on yield match within 1%
Parametric comparison	<ul style="list-style-type: none">• 100% test at room, hot, cold temperature if applicable based on production flow.

CCB 4758
Pre and Post Comparison
PCN #: NTDO-28XWRK640



A Leading Provider of Smart, Connected and Secure Embedded Control Solutions

**Qualification of MPHL as a new final test site for selected
ATSAMA5D2xx device family in 289L LFBGA (14x14x1.4mm) package**



SMART | CONNECTED | SECURE

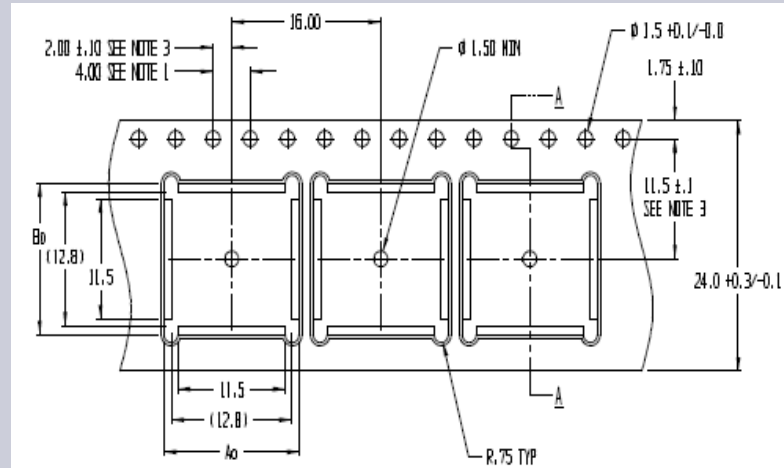
Pre and Post Change Summary

		PRE CHANGE	POST CHANGE
Final Test Location		ASE Test (ASE9)	Microchip Technology Operations (Philippines) Corporation (MPHL)
Base Quantity Multiple (BQM)	T/R	1000	1000
	Tray	119	119
Packing Color	T/R	White	White
	Tray	Black	Black
Pin 1 Orientation		Quadrant 1	Quadrant 1

Pre and Post Change Summary

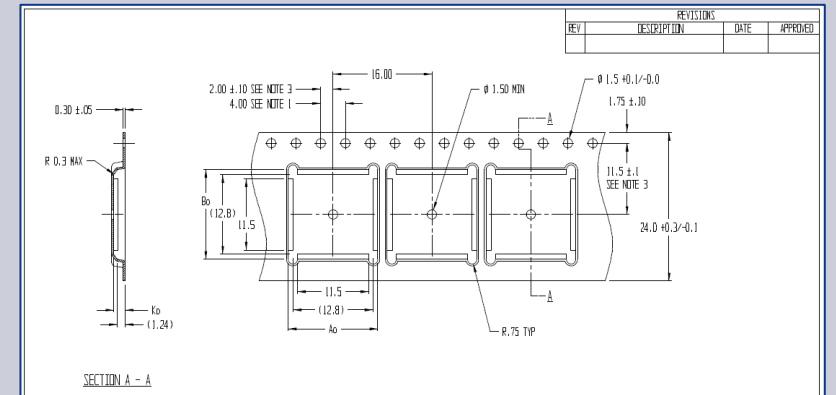
Carrier Tape for T/R

PRE CHANGE



Width (mm)	Pitch (mm)	A0 (mm)	B0 (mm)	K0 (mm)	Thickness (mm)
24	16	14.5	14.5	1.84	0.3

POST CHANGE

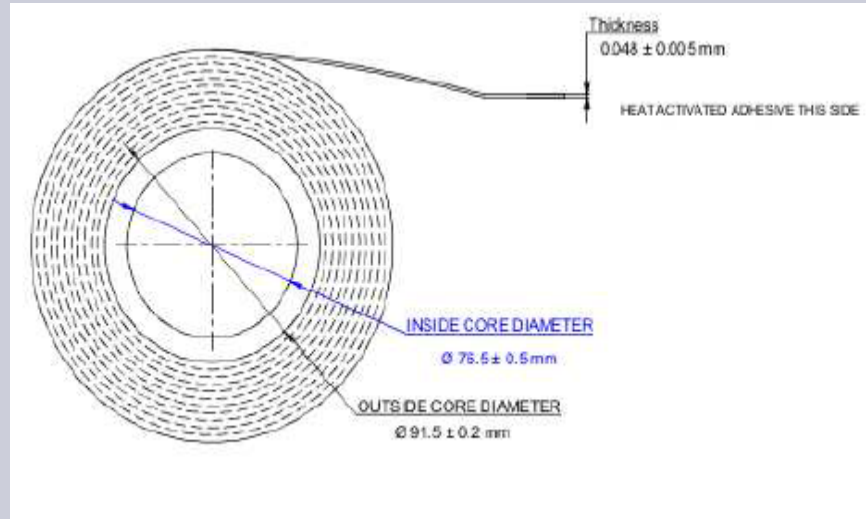


Width (mm)	Pitch (mm)	A0 (mm)	B0 (mm)	K0 (mm)	Thickness (mm)
24	16	14.5	14.5	1.84	0.3

Pre and Post Change Summary

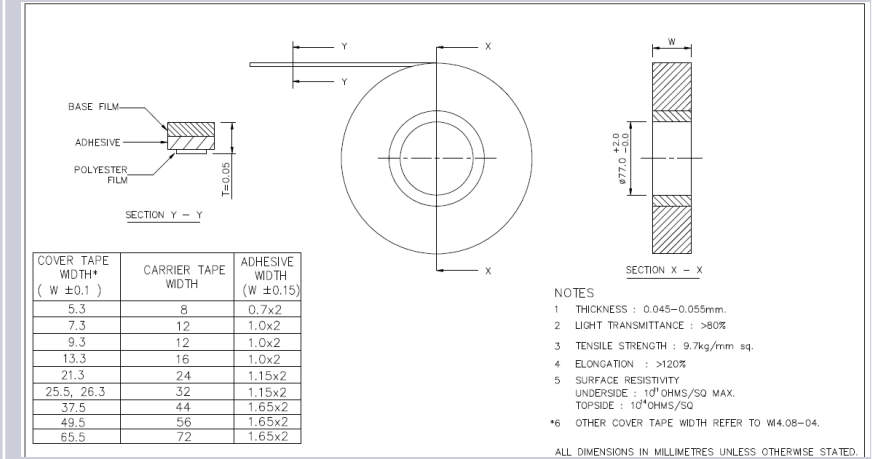
Cover Tape for T/R

PRE CHANGE



Carrier Width	Cover Tape Width (mm)	Thickness (mm)	Sealing Methodology
24	21	0.048	Hot Press

POST CHANGE

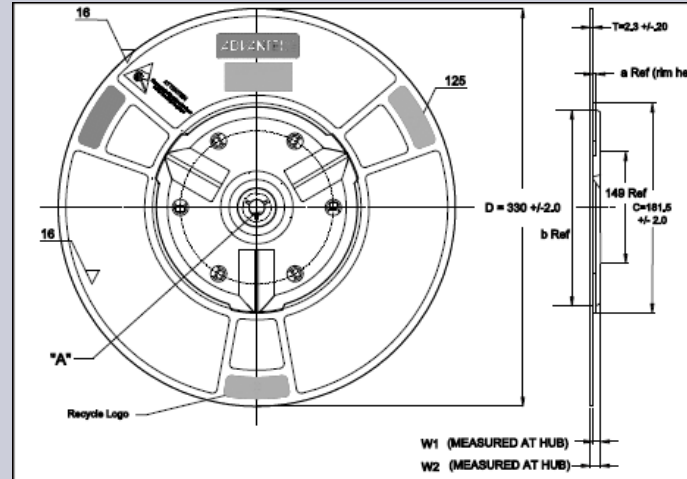


Carrier Width	Cover Tape Width (mm)	Thickness (mm)	Sealing Methodology
24	21.3	0.05 +/- 0.0005	Pressure Seal Activate

Pre and Post Change Summary

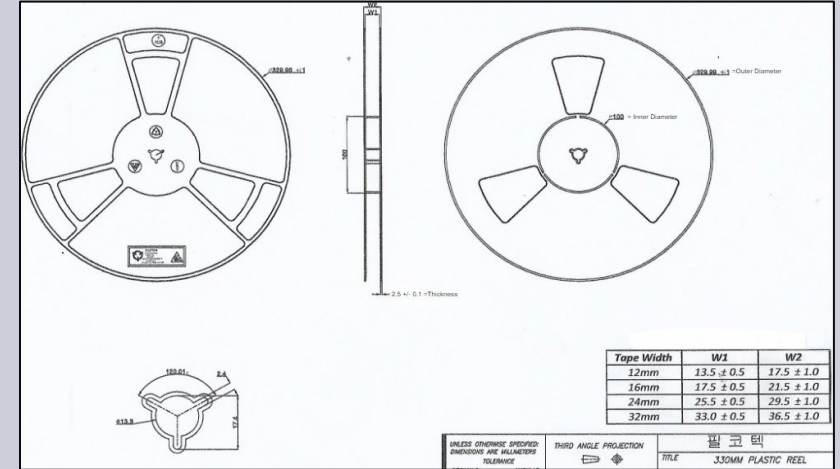
Plastic Reel for T/R

PRE CHANGE



For Carrier Tape Width	Diameter	Hub	Color
24	330	181.5	White

POST CHANGE



For Carrier Tape Width	Diameter	Hub	Color
24	330	101.6	White

Pre and Post Change Summary

	PRE CHANGE	POST CHANGE
<p>Packing Method for T/R</p>	<p>1. ESD Label (2x2)</p> <p>2. Intermediate Barcode Label</p> <p>3. Bubble Sheet</p> <p>4. MSID Sticker</p>	<p>ESD Label (2x2) Not required if with embossed ESD</p> <p>MSL Label (Keep it Blank)</p> <p>Tracking Label</p> <p>Open Side</p> <p>Desiccant (1.0 unit)</p> <p>HIC (Humidity Indicator Card)</p> <p>Desiccant (1.0 unit)</p> <p>Intermediate Barcode Label</p> <p>MSL (Caution) Label</p> <p>ESD Label (2x2)</p> <p>Label Placement at Box</p> <p>Bubble Sheet</p> <p>MSID Sticker</p> <p>Intermediate Barcode Label</p>

Pre and Post Change Summary

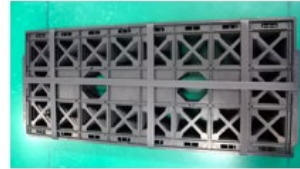
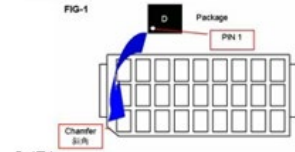
PRE CHANGE

POST CHANGE

Packing Method for Tray

1. Pin 1 orientation: near tray chamfer
2. Tray bundling : 10+1 , PP strapping : 3S1L

1-(D)



Max: 10 full trays + 1 empty tray cover
PP Strapping: 3 crosswise & 1 lengthwise

Labels and components shown:
- Open Side
- Intermediate Barcode Label
- MSL (Caution) Label
- ESD Label (2x2)
- Desiccant (1.0 unit)
- HIC (Humidity Indicator Card)

Bubble Sheet

Labels and components shown:
- Open Side of Box
- Intermediate Label

Affected Catalog Part Numbers (CPN)

ATSAMA5D27B-CU
ATSAMA5D26B-CU
ATSAMA5D26C-CU
ATSAMA5D27C-CU
ATSAMA5D27B-CN
ATSAMA5D26B-CN
ATSAMA5D26C-CN
ATSAMA5D27C-CN
ATSAMA5D27B-CNR
ATSAMA5D26B-CNR
ATSAMA5D26C-CNR
ATSAMA5D27C-CNR
ATSAMA5D26C-CNR01
ATSAMA5D27B-CUR
ATSAMA5D26B-CUR
ATSAMA5D26C-CUR
ATSAMA5D27C-CUR