



Product Change Notification / GBNG-06GBPZ091

Date:

16-Mar-2021

Product Category:

FPGA Configuration Memory

PCN Type:

Manufacturing Change

Notification Subject:

CCB 3640 Final Notice: Qualification of MTAI as a new final test site for selected Atmel products available in 20L PLCC package.

Affected CPNs:

[GBNG-06GBPZ091_Affected_CPN_03162021.pdf](#)
[GBNG-06GBPZ091_Affected_CPN_03162021.csv](#)

Notification Text:

PCN Status: Final notification

PCN Type: Manufacturing Change

Microchip Parts Affected: Please open one of the files found in the Affected CPNs section.

NOTE: For your convenience Microchip includes identical files in two formats (.pdf and .xls).

Description of Change: Qualification of MTAI as a new final test site for selected Atmel products available in 20L PLCC package.

Pre and Post Change Summary:

	Pre Change	Post Change
Final test site	Amkor Technology Philippines (P3/P4), INC (ATP7)	Microchip Technology Thailand (HQ) (MTAI)

Scan & Pack Site	Tube	Amkor Technology Philippines (P3/P4), INC (ATP7)	Microchip Technology Thailand (HQ) (MTAI)
	Tape & Reel	Microchip Technology Operations (Philippines) Corporation (MPHL)	Microchip Technology Thailand (HQ) (MTAI)
Tube Drawing		No dimensional change. See pre and post change comparison	
Tube Packing Method		See pre and post change comparison.	
Carrier Tape drawing		No dimensional change. See pre and post change comparison	
Cover Tape drawing		No dimensional change. See pre and post change comparison	
Plastic Reel drawing		Minor dimensional change. See pre and post change comparison	
Tape and Reel packing method		See pre and post change comparison.	

Impacts to Data Sheet: None

Change Impact:None

Reason for Change:To improve on-time delivery performance by qualifying MTAI as a new final test site.

Change Implementation Status:In Progress

Estimated First Ship Date:May 5, 2021 (date code: 2119)

NOTE: Please be advised that after the estimated first ship date customers may receive pre and post change parts.

Time Table Summary:

	December 2018					-->	March 2021					May 2021				
	4 8	4 9	5 0	5 1	5 2		1 0	1 1	1 2	1 3	1 4	1 8	1 9	2 0	2 1	2 2
Initial PCN Issue Date			X													
Qual Report Availability								X								
Final PCN Issue Date								X								
Estimated First Ship Date												X				

Method to Identify Change: Traceability code

Qualification Report:Please open the attachments included with this PCN labeled as PCN_#_Qual Report.

Revision History:**December 12, 2018:** Issued initial notification.**March 16, 2021:** Issued final notification. Attached the qualification report. Updated the subject and description to remove the 68L and 52L PLCC packages, separate Final PCNs were issued for these packages under PCNs [LIAL-05RFNS059](#), [ASER-24IAAH691](#) and [LIAL-03QXCU643](#). Updated Pre

change site from ANAP to ATP7. Updated Pre and post change summary table to identify the Scan & Pack site. Updated affected CPN list to only include products available in 20L PLCC package. Provided estimated first ship date to be on May 5, 2021.

The change described in this PCN does not alter Microchip's current regulatory compliance regarding the material content of the applicable products.

Attachments:

[PCN_GBNG-06GBPZ091_Qual_Report.pdf](#)

[PCN_GBNG-06GBPZ091_Pre and Post Change Summary.pdf](#)

Please contact your local [Microchip sales office](#) with questions or concerns regarding this notification.

Terms and Conditions:

If you wish to [receive Microchip PCNs via email](#) please register for our PCN email service at our [PCN home page](#) select register then fill in the required fields. You will find instructions about registering for Microchips PCN email service in the [PCN FAQ](#) section.

If you wish to [change your PCN profile, including opt out](#), please go to the [PCN home page](#) select login and sign into your myMicrochip account. Select a profile option from the left navigation bar and make the applicable selections.

CCB 3640
Pre and Post Change Summary
PCN# GBNG-06GBPZ091



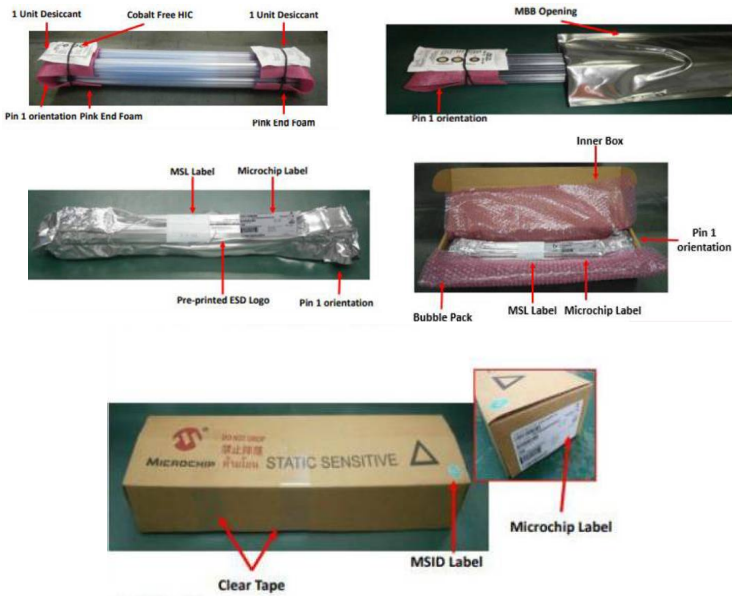
A Leading Provider of Smart, Connected and Secure Embedded Control Solutions



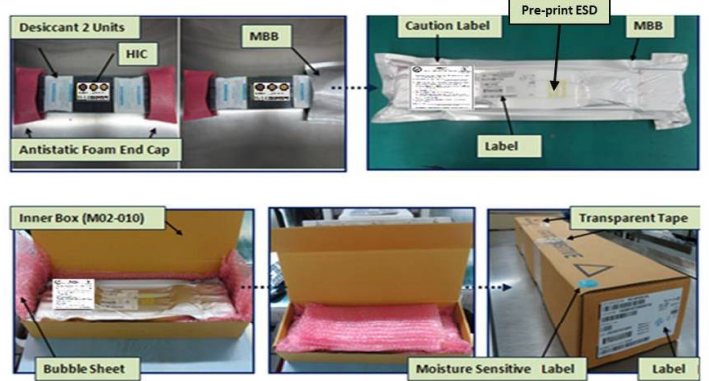
SMART | CONNECTED | SECURE

TUBE PACKING METHOD - 20L PLCC

ATP7

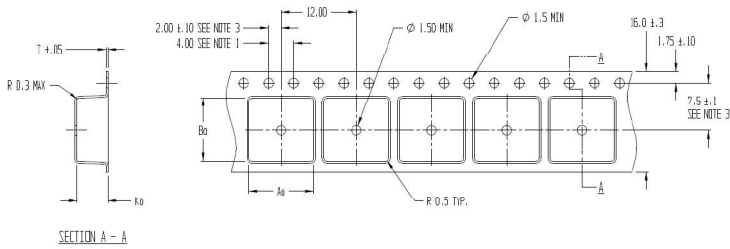


MTAI



CARRIER TAPE DRAWING - 20L PLCC

MPHL

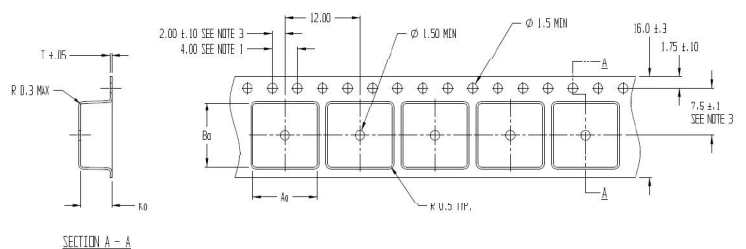


- NOTES:
1. 10° SPROCKET HOLE PITCH CUMULATIVE TOLERANCE ±0.2
 2. POCKET POSITION RELATIVE TO SPROCKET HOLE MEASURED AS TRUE POSITION OF POCKET, NOT POCKET HOLE
 3. A₀ AND B₀ ARE CALCULATED ON A PLANE AT A DISTANCE "R" ABOVE THE BOTTOM OF THE POCKET.

A₀ = 10.30
 B₀ = 10.30
 K₀ = 4.90

TOLERANCES - UNLESS NOTED 1PL ±.2 2PL ±.10

MTAI



- NOTES:
1. 10° SPROCKET HOLE PITCH CUMULATIVE TOLERANCE ±0.2
 2. POCKET POSITION RELATIVE TO SPROCKET HOLE MEASURED AS TRUE POSITION OF POCKET, NOT POCKET HOLE
 3. A₀ AND B₀ ARE CALCULATED ON A PLANE AT A DISTANCE "R" ABOVE THE BOTTOM OF THE POCKET.

A₀ = 10.30
 B₀ = 10.30
 K₀ = 4.90

TOLERANCES - UNLESS NOTED 1PL ±.2 2PL ±.10

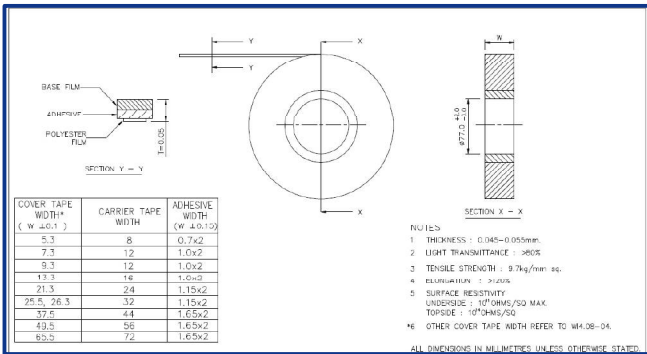
Plant	Supplier Mfg. part no.	Width (mm)	Pitch (mm)	A ₀ (mm)	B ₀ (mm)	K ₀ (mm)	Thickness (mm)	Unit per Reel	Pin Orientation
MPHL	PLCC20-AC	16	12	10.30	10.30	4.90	0.30	1,000	Quadrant 1-2
MTAI	PLCC20-AC	16	12	10.30	10.30	4.90	0.30	1,000	Quadrant 1-2

Pin 1 Orientation
 Quadrant 1-2

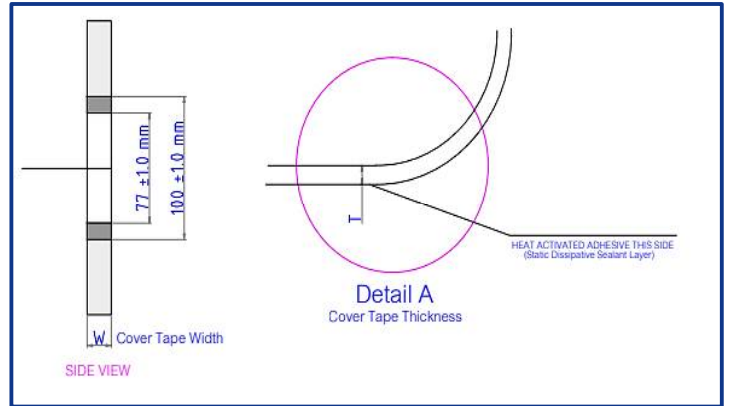


COVER TAPE DRAWING - 20L PLCC

MPHL



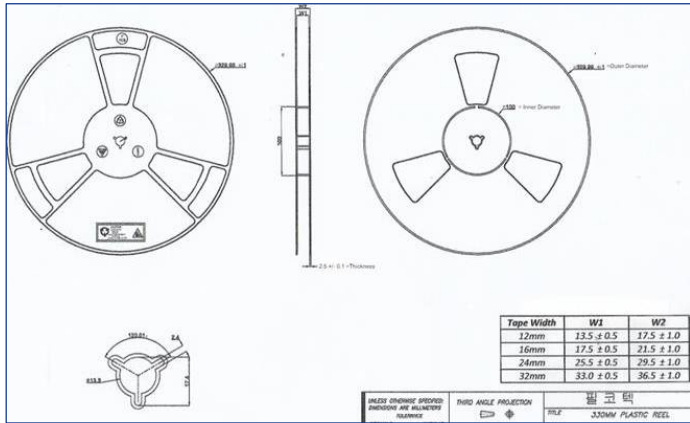
MTAI



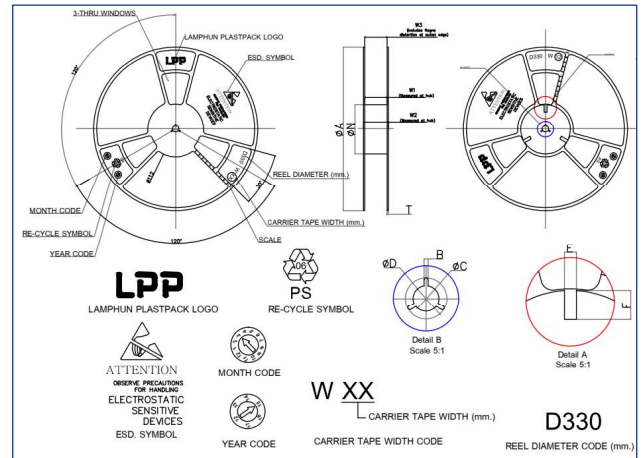
Plant	Supplier Mfg. part no.	Width W (mm)	Thickness "T" (mm)	Color	Sealing Methodology
MPHL	CP58 PSA	13.30 +/-0.1	0.050 +/- 0.010	Clear	Pressure Seal
MTAI	CSL-27302	13.30 +/-0.1	0.050 +/- 0.010	Clear	Heat Seal

PLASTIC REEL DRAWING - 20L PLCC

MPHL



MTAI



Plant	Reel Diameter (mm)	Reel Hub Size (mm)	W1 (mm)	W2 MAX (mm)	Color
MPHL	330	100	17.50	22.50	White
MTAI	330	100	16.40	22.40	Dark Blue

TAPE AND REEL PACKING METHOD - 20L PLCC

MPHL	MTAI
<p>Non-product Top Side</p> <p>Intermediate Barcode Label</p> <p>ESD Label (2x2) not required</p> <p>MSL Label (Group II B1A9K)</p> <p>Desiccant (1.0 unit)</p> <p>HIC (Humidity Indicator Card)</p> <p>Open Side</p> <p>Intermediate Barcode Label</p> <p>MSL (Caution) Label</p> <p>ESD Label (2x2)</p> <p>Label Placement at Box</p> <p>Bubble Sheet</p> <p>MSID Sticker</p> <p>Intermediate Barcode Label</p>	<p>Label</p> <p>Desiccant 2 Units</p> <p>HIC</p> <p>Moisture Barrier Bag</p> <p>Caution Label</p> <p>Label</p> <p>Inner Box</p> <p>Bubble Sheet</p> <p>Moisture Sensitive Label</p> <p>Label</p> <p>Inner Box</p> <p>Transparent Tape</p>



MICROCHIP

QUALIFICATION REPORT SUMMARY

PCN #: GBNG-06GBPZ091

**Date:
February 19, 2020**

**Qualification of MTAI as a new final test site for selected
Atmel products available in 20L PLCC package.**

Purpose: Qualification of MTAI as a new final test site for selected Atmel products available in 20L PLCC package.

CCB No.: 3640

Test / Evaluation	Test Conditions / Parameters	Remarks / Results
Unit to Unit Parametric Comparison	Get parametric reading from 33 good units at both original and destination test site Compare parametric reading from both sites	Passed
Correlation Lot	Test 3K units at original test site Retest 3K units at destination test site (Good and Reject separately)	Passed

GBNG-06GBPZ091 - CCB 3640 Final Notice: Qualification of MTAI as a new final test site for selected Atmel p

Affected Catalog Part Numbers(CPN)

AT17LV256-10JU

AT17LV256-10JU-T

AT17LV010-10JU

AT17LV010A-10JU

AT17LV512-10JU

AT17LV512A-10JU

AT17LV512-10JU-T

AT17LV512A-10JU-T

AT17LV002-10JU

AT17LV002A-10JU

AT17LV002-10JU-T