



Product Change Notification

Current Date: 19-Nov-2020

TE Connectivity

Product Change Notification: E-20-012817

PCN Date: 18-NOV-20

Customer: Future Electronics(0000080100)

Location: WORLDWIDE

Agreement: Agreement Unknown

TE would like to inform you of the following change(s) to the listed TE Connectivity Product. In case of any further questions about this change(s), please contact your TE Connectivity Sales Engineer. Affected part, drawing and/or specification numbers are listed on the attached sheet(s).

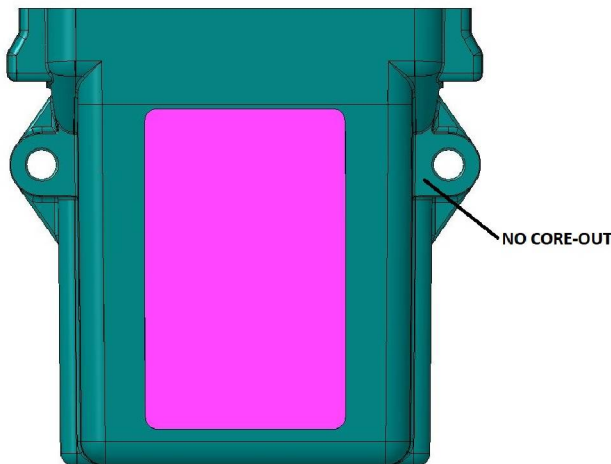
General Product Description:

EEC Box family, EEC-325X4A, EEC-325X4A-E016, EEC-325X4B, EEC-325X4B-E016 Part change and new tooling release.

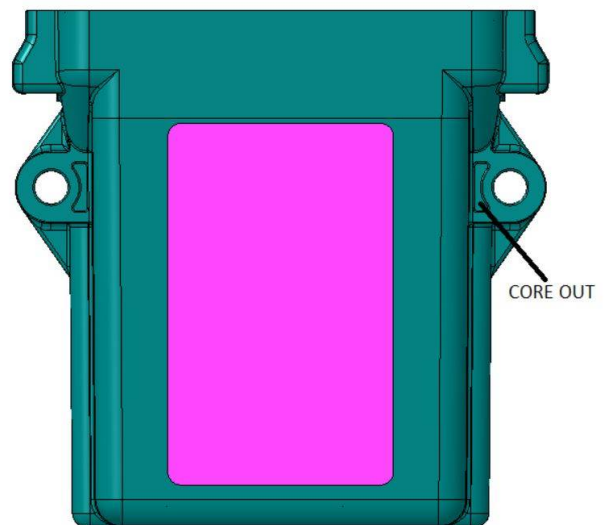
Description of Changes

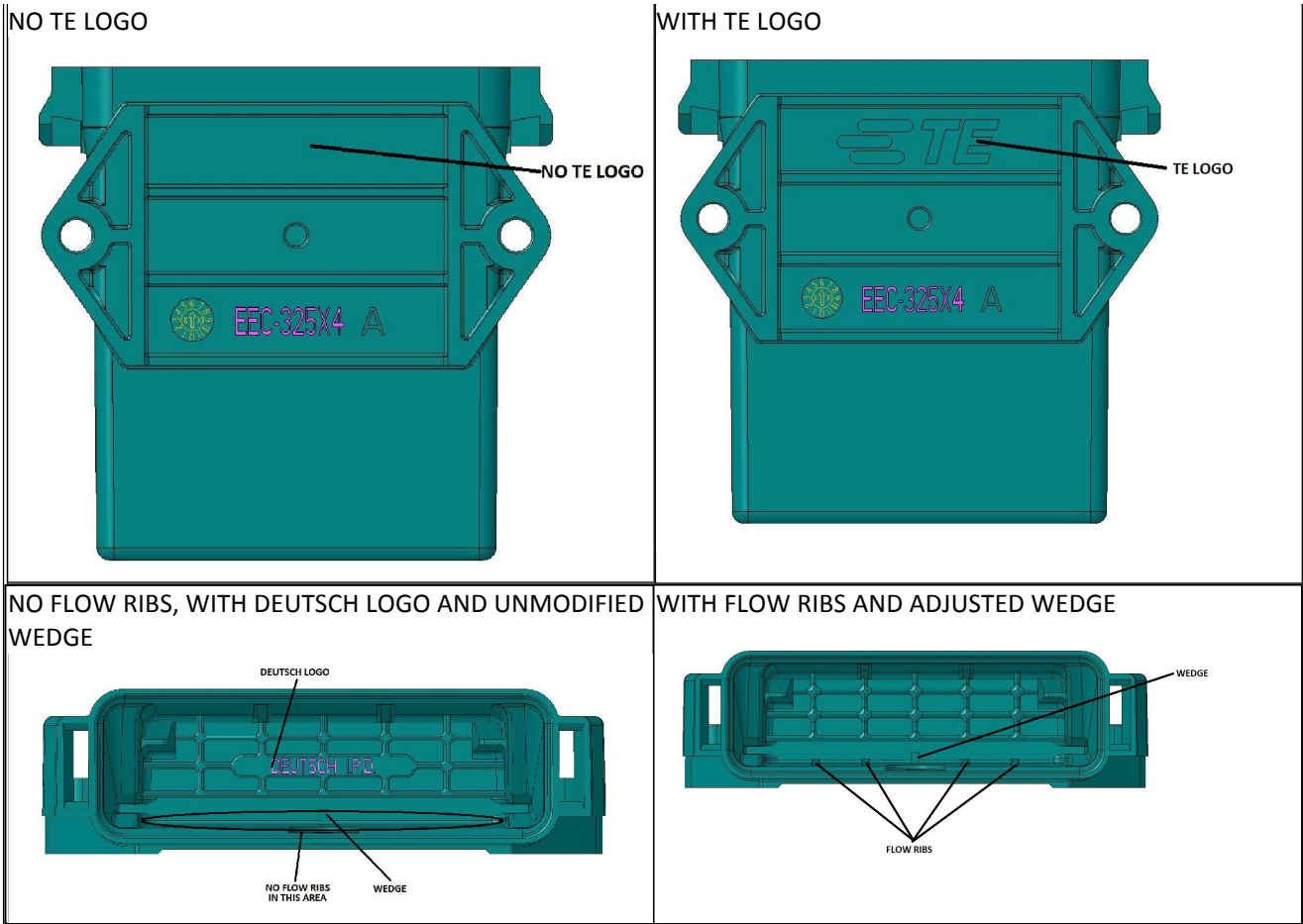
The Industrial and Commercial Transportation business unit of TE Connectivity is making a change to 1) Label from Deutsch shown on the inside surface to TE shown on the outside surface 2) Core out feature added and adjust the wedge to match the adjustment to the mold. 3) Addition of flow ribs to bottom inside surface to the numbers listed below. These PNs are TE proprietary designs, therefore considered catalog/general market product. PPAP and/or sample requests must be submitted within 14 days of PCN submission via ict-ppap-request@te.com or ePPAP system. Submission will not occur without request. If PPAP requested, disposition response is required within 14 days of submit date or it will be considered approved. Product drawings are affected.

NO CORE OUT



WITH CORE OUT





Reason for Changes:	
Product Improvement. Dear Customer, we hereby inform you of this change. The change is necessary to improve the product. The changes do not impact performance. IMPORTANT: The current and previous revisions of these parts can be used interchangeably in the field. The changes are being phased in gradually and previous revision can remain stocked until use. Shipments of both configurations may be mixed.	
Estimated Dates:	
Last Order Date (Obsolete Parts Only):	First Date To Ship (Changed Parts Only):
	22-FEB-2021
Last Ship Date (Obsolete Parts Only):	Last Date for Mixed Shipments: (Changed Parts Only):
	31-DEC-2023

Customer: Future Electronics Inc (1433287)

Location: Bolton

Agreement Number: Agreement Unknown

Part Number(s) being Modified:

Part Number	Part Discontinued per PCN	Customer Drawing	Customer Part Number	Alias Part Number(s)	Substitute Part Number	Substitute Alias Part Number(s)	Description Of Difference
EEC-325X4B	NO			"ZPF000000000131509"			
EEC-325X4B-E016	NO			"ZPF000000000131510"			

The documents listed below are being modified. Related parts that are not explicitly listed on this PCN are not being modified or discontinued as per the PCN. The Last Order Date, Last Ship Date, First Date to Ship Changed Parts and last date for Mixed Shipments apply only to parts explicitly listed on this PCN.

Customer Drawing(s) Being Modified:

Drawing Number	Related Part Number	Customer Part Number	Current Revision	New Revision
EEC-325X4A-EEC-325X4B	EEC-325X4B		F1	

Customer: Future Electronics Asia Pacific (2923061)

Location: Singapore

Agreement Number: Agreement Unknown

Part Number(s) being Modified:

Part Number	Part Discontinued per PCN	Customer Drawing	Customer Part Number	Alias Part Number(s)	Substitute Part Number	Substitute Alias Part Number(s)	Description Of Difference
EEC-325X4B	NO			"ZPF00000000131509"			

The documents listed below are being modified. Related parts that are not explicitly listed on this PCN are not being modified or discontinued as per the PCN. The Last Order Date, Last Ship Date, First Date to Ship Changed Parts and last date for Mixed Shipments apply only to parts explicitly listed on this PCN.

Customer Drawing(s) Being Modified:

Drawing Number	Related Part Number	Customer Part Number	Current Revision	New Revision
EEC-325X4A-EEC-325X4B	EEC-325X4B		F1	

Customer: Future Electronics Inc. (1319888)

Location: Singapore

Agreement Number: Agreement Unknown

Part Number(s) being Modified:

Part Number	Part Discontinued per PCN	Customer Drawing	Customer Part Number	Alias Part Number(s)	Substitute Part Number	Substitute Alias Part Number(s)	Description Of Difference
EEC-325X4B	NO			"ZPF00000000131509"			

The documents listed below are being modified. Related parts that are not explicitly listed on this PCN are not being modified or discontinued as per the PCN. The Last Order Date, Last Ship Date, First Date to Ship Changed Parts and last date for Mixed Shipments apply only to parts explicitly listed on this PCN.

Customer Drawing(s) Being Modified:

Drawing Number	Related Part Number	Customer Part Number	Current Revision	New Revision
EEC-325X4A-EEC-325X4B	EEC-325X4B		F1	

Customer: Future Electronics Inc (1290208)

Location: Southaven

Agreement Number: Agreement Unknown

Customer: Future Electronics UK (2833922)

Location: Hayes

Agreement Number: Agreement Unknown

Part Number(s) being Modified:

Part Number	Part Discontinued per PCN	Customer Drawing	Customer Part Number	Alias Part Number(s)	Substitute Part Number	Substitute Alias Part Number(s)	Description Of Difference
EEC-325X4B	NO			"ZPF00000000131509"			

The documents listed below are being modified. Related parts that are not explicitly listed on this PCN are not being modified or discontinued as per the PCN. The Last Order Date, Last Ship Date, First Date to Ship Changed Parts and last date for Mixed Shipments apply only to parts explicitly listed on this PCN.

Customer Drawing(s) Being Modified:

Drawing Number	Related Part Number	Customer Part Number	Current Revision	New Revision
EEC-325X4A-EEC-325X4B	EEC-325X4B		F1	

Customer: Future Electronics Ltd (2895038)

Location: Leipzig

Agreement Number: Agreement Unknown

Part Number(s) being Modified:

Part Number	Part Discontinued per PCN	Customer Drawing	Customer Part Number	Alias Part Number(s)	Substitute Part Number	Substitute Alias Part Number(s)	Description Of Difference
EEC-325X4A	NO			"ZPF000000000131508"			
EEC-325X4B	NO			"ZPF000000000131509"			
EEC-325X4B-E016	NO			"ZPF000000000131510"			

Customer: Future Electronics Inc (184927)

Location: Pointe Claire

Agreement Number: Agreement Unknown

Part Number(s) being Modified:

Part Number	Part Discontinued per PCN	Customer Drawing	Customer Part Number	Alias Part Number(s)	Substitute Part Number	Substitute Alias Part Number(s)	Description Of Difference
EEC-325X4A-E016	NO						
EEC-325X4B	NO			"ZPF000000000131509"			
EEC-325X4B-E016	NO			"ZPF000000000131510"			

The documents listed below are being modified. Related parts that are not explicitly listed on this PCN are not being modified or discontinued as per the PCN. The Last Order Date, Last Ship Date, First Date to Ship Changed Parts and last date for Mixed Shipments apply only to parts explicitly listed on this PCN.

Customer Drawing(s) Being Modified:

Drawing Number	Related Part Number	Customer Part Number	Current Revision	New Revision
EEC-325X4A-EEC-325X4B	EEC-325X4B		F1	