



Product Change Notification

Current Date: 03-Sep-2020

TE Connectivity

Product Change Notification: E-20-011899

PCN Date: 02-SEP-20

Customer: Future Electronics(0000080100)

Location: WORLDWIDE

Agreement: Agreement Unknown

TE would like to inform you of the following change(s) to the listed TE Connectivity Product. In case of any further questions about this change(s), please contact your TE Connectivity Sales Engineer. Affected part, drawing and/or specification numbers are listed on the attached sheet(s).

General Product Description:

DEUTSCH DT SERIES, DT13-12PX AND DT15-12PX AND MODS (X = A,B,C,D KEYS). DOCUMENT CLARIFICATION

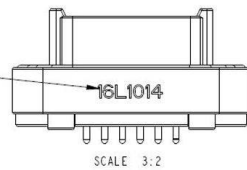
Description of Changes

The Industrial and Commercial Transportation business unit of TE Connectivity is adding alternate design view and new date code information on product drawings for the part numbers listed below. Please note that the existing part did not change.

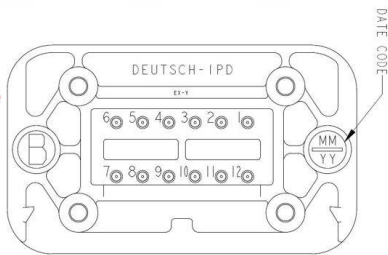
Date Code Chnage

New Date Code

7 DIGIT DATECODE
 YEAR: FIRST AND SECOND DIGITS (16 = 2016)
 MONTH: THIRD DIGIT, EXCLUDING 1. A = JAN., B = FEB., C = MARCH, ... (L = NOVEMBER)
 DAY: FOURTH AND FIFTH DIGITS (10 = 10th DAY)
 HOUR: SIXTH AND SEVENTH DIGITS (14 = 2-3PM)

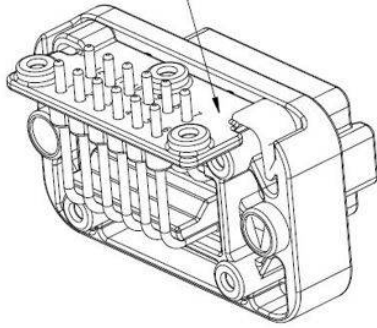


Old Date Code



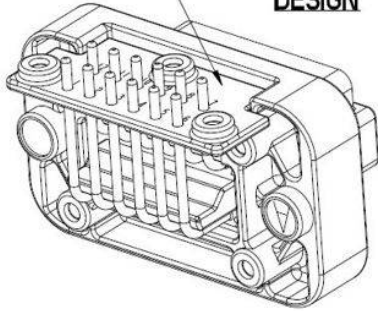
DT13 Alternate Design

9 SNAP IN PLACE
PIN SPACER

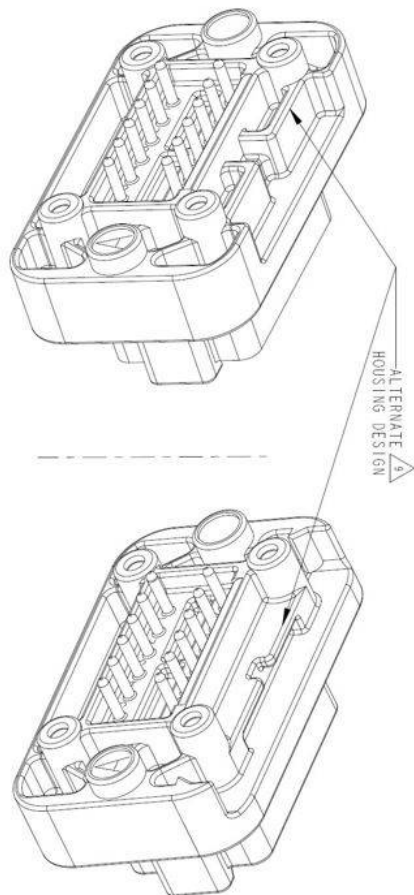


9 WELDED
PIN SPACER

**ALTERNATE
DESIGN**



DT15 Alternate Design



Reason for Changes:	
Document Clarification. The information we are adding is the alternate spacer design and housing design related to molding tool. Also, we are updating date code details as a part of our continuous improvement efforts to our Product Drawings. IMPORTANT- This is documentation clarification only and does not affect part fit or function. All products in stock and in field are not affected and can be used interchangeably in the field.	
Estimated Dates:	
Last Order Date (Obsolete Parts Only):	First Date To Ship (Changed Parts Only):
Last Ship Date (Obsolete Parts Only):	Last Date for Mixed Shipments: (Changed Parts Only):
	No Mixed Shipments

The documents listed below are being modified. Related parts that are not explicitly listed on this PCN are not being modified or discontinued as per the PCN. The Last Order Date, Last Ship Date, First Date to Ship Changed Parts and last date for Mixed Shipments apply only to parts explicitly listed on this PCN.

Note: This PCN contains only document changes, these changes do not affect the form, fit or function of the parts referenced.

Customer Drawing(s) Being Modified:

Drawing Number	Related Part Number	Customer Part Number	Current Revision	New Revision
DT13-12PX	DT13-12PA, DT13-12PB		D	
DT13-12PX-B016	DT13-12PB-B016		C	
DT15-12PX	DT15-12PA		D	
DT15-12PX-B016	DT15-12PA-B016		C	
DT15-12PX-G003	DT15-12PA-G003		B	

Customer: Future Electronics Ltd (1273129)

Location: Egham

Agreement Number: Agreement Unknown

The documents listed below are being modified. Related parts that are not explicitly listed on this PCN are not being modified or discontinued as per the PCN. The Last Order Date, Last Ship Date, First Date to Ship Changed Parts and last date for Mixed Shipments apply only to parts explicitly listed on this PCN.

Customer Drawing(s) Being Modified:

Drawing Number	Related Part Number	Customer Part Number	Current Revision	New Revision
DT13-12PX	DT13-12PB		D	
DT15-12PX	DT15-12PA		D	
DT15-12PX-B016	DT15-12PA-B016		C	
DT15-12PX-G003	DT15-12PA-G003		B	

Customer: Future Electronics Asia Pacific (2923061)

Location: Singapore

Agreement Number: Agreement Unknown

The documents listed below are being modified. Related parts that are not explicitly listed on this PCN are not being modified or discontinued as per the PCN. The Last Order Date, Last Ship Date, First Date to Ship Changed Parts and last date for Mixed Shipments apply only to parts explicitly listed on this PCN.

Customer Drawing(s) Being Modified:

Drawing Number	Related Part Number	Customer Part Number	Current Revision	New Revision
DT15-12PX	DT15-12PA		D	

Customer: Future Electronics Inc. (2883079)

Location: Singapore

Agreement Number: Agreement Unknown

The documents listed below are being modified. Related parts that are not explicitly listed on this PCN are not being modified or discontinued as per the PCN. The Last Order Date, Last Ship Date, First Date to Ship Changed Parts and last date for Mixed Shipments apply only to parts explicitly listed on this PCN.

Customer Drawing(s) Being Modified:

Drawing Number	Related Part Number	Customer Part Number	Current Revision	New Revision
DT13-12PX	DT13-12PA		D	

Customer: Future Electronics Inc. (1319888)

Location: Singapore

Agreement Number: Agreement Unknown

The documents listed below are being modified. Related parts that are not explicitly listed on this PCN are not being modified or discontinued as per the PCN. The Last Order Date, Last Ship Date, First Date to Ship Changed Parts and last date for Mixed Shipments apply only to parts explicitly listed on this PCN.

Customer Drawing(s) Being Modified:

Drawing Number	Related Part Number	Customer Part Number	Current Revision	New Revision
DT15-12PX	DT15-12PA		D	

Customer: Future Electronics Inc (2922512)

Location: Hoffman Estates

Agreement Number: Agreement Unknown

The documents listed below are being modified. Related parts that are not explicitly listed on this PCN are not being modified or discontinued as per the PCN. The Last Order Date, Last Ship Date, First Date to Ship Changed Parts and last date for Mixed Shipments apply only to parts explicitly listed on this PCN.

Customer Drawing(s) Being Modified:

Drawing Number	Related Part Number	Customer Part Number	Current Revision	New Revision
DT15-12PX	DT15-12PA		D	

Customer: Future Electronics Inc (1290208)

Location: Southaven

Agreement Number: Agreement Unknown

The documents listed below are being modified. Related parts that are not explicitly listed on this PCN are not being modified or discontinued as per the PCN. The Last Order Date, Last Ship Date, First Date to Ship Changed Parts and last date for Mixed Shipments apply only to parts explicitly listed on this PCN.

Customer Drawing(s) Being Modified:

Drawing Number	Related Part Number	Customer Part Number	Current Revision	New Revision
DT13-12PX	DT13-12PA		D	
DT13-12PX-B016	DT13-12PB-B016		C	
DT15-12PX	DT15-12PA		D	

Customer: Future Electronics UK (2833922)

Location: Hayes

Agreement Number: Agreement Unknown

The documents listed below are being modified. Related parts that are not explicitly listed on this PCN are not being modified or discontinued as per the PCN. The Last Order Date, Last Ship Date, First Date to Ship Changed Parts and last date for Mixed Shipments apply only to parts explicitly listed on this PCN.

Customer Drawing(s) Being Modified:

Drawing Number	Related Part Number	Customer Part Number	Current Revision	New Revision
DT13-12PX	DT13-12PA		D	
DT15-12PX	DT15-12PA		D	