

Product / Process Change Notification



N° 2020-059-A

Dear Customer,

Please find attached our INFINEON Technologies PCN:

Implementation of matrix leadframe for Package PG-TO252-3 in Tongfu Microelectronics Co., Ltd. (TFME)

Important information for your attention:

- Please respond to this PCN by indicating your decision on the approval form, sign it and return to your sales partner before **21st July 2020**.
- Infineon aligns with the widely-recognized JEDEC STANDARD “**JESD46**“, which stipulates: “**Lack of acknowledgement of the PCN within 30 days constitutes acceptance of the change.**”

Your prompt reply will help Infineon Technologies to assure a smooth and well executed transition. If Infineon does not hear from your side by the due date, we will assume your full acceptance to this proposed change and its implementation.

Your attention and response to this matter is greatly appreciated.

Infineon Technologies AG
Postal Address Headquarters: Am Campeon 1-15, D-85579 Neubiberg, Phone +49 (0)89 234-0
Chairman of the Supervisory Board: Dr. Wolfgang Eder
Management Board: Dr. Reinhard Ploss (CEO), Dr. Helmut Gassel, Jochen Hanebeck, Dr. Sven Schneider
Registered Office: Neubiberg
Commercial Register: München HRB 126492

Product / Process Change Notification



N° 2020-059-A

► **Products affected:** Please refer to attached affected product list 1_cip20059_a

► **Detailed Change Information:**

Subject: Implementation of matrix leadframe for Package PG-TO252-3 in Tongfu Microelectronics Co., Ltd. (TFME)

Reason: Standardization of leadframe for package PG-TO252-3 in Tongfu Microelectronics Co., Ltd. (TFME) assembly line.
Increase of Manufacturing Capacity.

Description:

Old

- Single row leadframe
- Package Outer Dimension max. value for E1 = 5.21 mm

New

- Matrix leadframe
- Package Outer Dimension max. value for E1 = 5.50 mm.
 - Refer to 3_cip20059_a

► **Product Identification:** Traceability is ensured via Bau number, Lot number and Datecode.

► **Impact of Change:** The leadframe material and surface remains the same for both, single and matrix row leadframe. All other Bill Of Materials remain unchanged. There is no impact in footprint, product quality, performance and reliability as verified by qualification.

► **Attachments:**
1_cip20059_a Affected product list:
2_cip20059_a Qualification Report:
3_cip20059_a Customer Information Package:

► **Time Schedule:**

- Final qualification report: available
- First samples available: on request
- Intended start of delivery: September 2020, or earlier, depending on customer approval

If you have any questions, please do not hesitate to contact your local Sales office.



Sales name	SP number	OPN	Package
IPD50R399CP	SP001117700	IPD50R399CPATMA1	PG-TO252-3
IPD50R520CP	SP001117706	IPD50R520CPATMA1	PG-TO252-3
IPD60R145CFD7	SP001715664	IPD60R145CFD7ATMA1	PG-TO252-3
IPD60R170CFD7	SP001617934	IPD60R170CFD7ATMA1	PG-TO252-3
IPD60R180C7	SP001277630	IPD60R180C7ATMA1	PG-TO252-3
IPD60R180P7	SP001606052	IPD60R180P7ATMA1	PG-TO252-3
IPD60R1K4C6	SP001292870	IPD60R1K4C6ATMA1	PG-TO252-3
IPD60R210CFD7	SP001715662	IPD60R210CFD7ATMA1	PG-TO252-3
IPD60R280CFD7	SP001634124	IPD60R280CFD7ATMA1	PG-TO252-3
IPD60R280P7	SP001658316	IPD60R280P7ATMA1	PG-TO252-3
IPD60R2K0C6	SP001117714	IPD60R2K0C6ATMA1	PG-TO252-3
IPD60R360CFD7	SP002621084	IPD60R360CFD7ATMA1	PG-TO252-3
IPD60R360P7	SP001606048	IPD60R360P7ATMA1	PG-TO252-3
IPD60R380C6	SP001117716	IPD60R380C6ATMA1	PG-TO252-3
IPD60R380P6	SP001135814	IPD60R380P6ATMA1	PG-TO252-3
IPD60R385CP	SP000680638	IPD60R385CPATMA1	PG-TO252-3
IPD60R3K3C6	SP001117718	IPD60R3K3C6ATMA1	PG-TO252-3
IPD60R600C6	SP001117726	IPD60R600C6ATMA1	PG-TO252-3
IPD60R600E6	SP001117094	IPD60R600E6ATMA1	PG-TO252-3
IPD60R600P6	SP001178242	IPD60R600P6ATMA1	PG-TO252-3
IPD60R600P7	SP001606046	IPD60R600P7ATMA1	PG-TO252-3
IPD60R950C6	SP001117730	IPD60R950C6ATMA1	PG-TO252-3
IPD65R190C7	SP000928648	IPD65R190C7ATMA1	PG-TO252-3
IPD65R1K4C6	SP001107078	IPD65R1K4C6ATMA1	PG-TO252-3
IPD65R1K4CFD	SP001117732	IPD65R1K4CFDATMA1	PG-TO252-3
IPD65R1K4CFD	SP001977046	IPD65R1K4CFDATMA2	PG-TO252-3
IPD65R225C7	SP000929430	IPD65R225C7ATMA1	PG-TO252-3
IPD65R380C6	SP001117734	IPD65R380C6ATMA1	PG-TO252-3
IPD65R380E6	SP001117736	IPD65R380E6ATMA1	PG-TO252-3
IPD65R420CFD	SP001117738	IPD65R420CFDATMA1	PG-TO252-3
IPD65R420CFD	SP001977048	IPD65R420CFDATMA2	PG-TO252-3
IPD65R600E6	SP001117096	IPD65R600E6ATMA1	PG-TO252-3
IPD65R660CFD	SP001117748	IPD65R660CFDATMA1	PG-TO252-3
IPD65R660CFD	SP001977050	IPD65R660CFDATMA2	PG-TO252-3
IPD65R950C6	SP001107082	IPD65R950C6ATMA1	PG-TO252-3
IPD65R950CFD	SP001117750	IPD65R950CFDATMA1	PG-TO252-3
IPD65R950CFD	SP001977060	IPD65R950CFDATMA2	PG-TO252-3
IPD80R1K0CE	SP001130974	IPD80R1K0CEATMA1	PG-TO252-3
IPD80R1K2P7	SP001644252	IPD80R1K2P7ATMA1	PG-TO252-3
IPD80R1K4CE	SP001130972	IPD80R1K4CEATMA1	PG-TO252-3
IPD80R1K4P7	SP001422564	IPD80R1K4P7ATMA1	PG-TO252-3
IPD80R2K0P7	SP001634906	IPD80R2K0P7ATMA1	PG-TO252-3
IPD80R2K4P7	SP001644284	IPD80R2K4P7ATMA1	PG-TO252-3
IPD80R2K8CE	SP001130970	IPD80R2K8CEATMA1	PG-TO252-3
IPD80R360P7	SP001633516	IPD80R360P7ATMA1	PG-TO252-3



Sales name	SP number	OPN	Package
IPD80R3K3P7	SP001636440	IPD80R3K3P7ATMA1	PG-TO252-3
IPD80R450P7	SP001422626	IPD80R450P7ATMA1	PG-TO252-3
IPD80R4K5P7	SP001422632	IPD80R4K5P7ATMA1	PG-TO252-3
IPD80R600P7	SP001644246	IPD80R600P7ATMA1	PG-TO252-3
IPD80R750P7	SP001644282	IPD80R750P7ATMA1	PG-TO252-3
IPD80R900P7	SP001633484	IPD80R900P7ATMA1	PG-TO252-3
IPD90R1K2C3	SP001117752	IPD90R1K2C3ATMA1	PG-TO252-3
IPD95R1K2P7	SP001792314	IPD95R1K2P7ATMA1	PG-TO252-3
IPD95R2K0P7	SP001819720	IPD95R2K0P7ATMA1	PG-TO252-3
IPD95R750P7	SP001792316	IPD95R750P7ATMA1	PG-TO252-3
SPD02N80C3	SP001117754	SPD02N80C3ATMA1	PG-TO252-3
SPD03N50C3	SP001117756	SPD03N50C3ATMA1	PG-TO252-3
SPD03N60C3	SP001117760	SPD03N60C3ATMA1	PG-TO252-3
SPD04N50C3	SP001117762	SPD04N50C3ATMA1	PG-TO252-3
SPD04N60C3	SP001117764	SPD04N60C3ATMA1	PG-TO252-3
SPD04N80C3	SP001117768	SPD04N80C3ATMA1	PG-TO252-3
SPD06N60C3	SP001117770	SPD06N60C3ATMA1	PG-TO252-3
SPD06N80C3	SP001117772	SPD06N80C3ATMA1	PG-TO252-3
SPD07N60C3	SP001117774	SPD07N60C3ATMA1	PG-TO252-3
SPD08N50C3	SP001117776	SPD08N50C3ATMA1	PG-TO252-3

Customer Information Package 3_cip20059_a

PCN 2020-059-A

Implementation of matrix leadframe for Package PG-
TO252-3 in Tongfu Microelectronics Co., Ltd. (TFME)



- restricted -

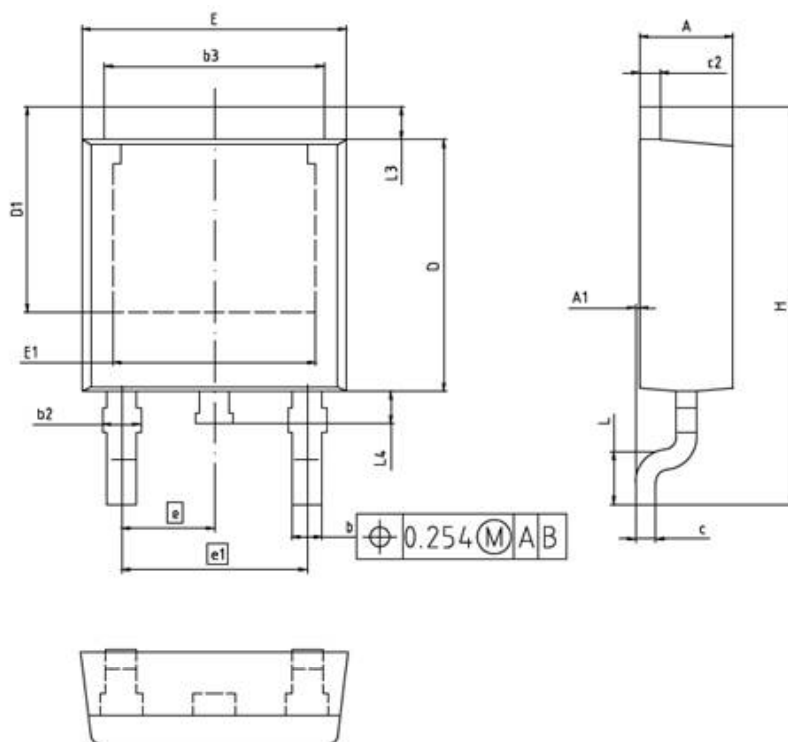
PCN 2020-059-A: Implementation of matrix leadframe for Package PG-TO252-3 in Tongfu Microelectronics Co., Ltd. (TFME)



Package Outer Dimensions



SYMBOL	TO252-3 TFME single row Leadframe		TO252-3 TFME matrix Leadframe		TO252-3 Infineon Data sheet	
	[mm]		[mm]		[mm]	
	MIN	MAX	MIN	MAX	MIN	MAX
A	2.20	2.38	2.20	2.38	2.16	2.41
A1	0.00	0.10	0.00	0.10	0.00	0.15
b	0.77	0.89	0.72	0.85	0.64	0.89
b2	0.77	1.10	0.72	0.90	0.65	1.15
b3	5.23	5.43	5.13	5.46	4.95	5.50
c	0.47	0.60	0.47	0.60	0.46	0.61
c2	0.47	0.60	0.47	0.60	0.40	0.98
D	6.00	6.20	6.00	6.20	5.97	6.22
D1	5.25	5.50	5.25	5.50	5.02	5.84
E	6.50	6.70	6.50	6.70	6.35	6.73
E1	4.70	5.21	5.20	5.50	4.32	5.50
e	2.29 (BSC)		2.29 (BSC)		2.29 (BSC)	
e1	4.57 (BSC)		4.57 (BSC)		4.57 (BSC)	
N	3		3		3	
H	9.80	10.40	9.80	10.40	9.40	10.48
L	1.40	1.70	1.40	1.70	1.18	1.78
L3	0.90	1.25	0.90	1.25	0.89	1.27
L4	0.60	1.00	0.60	1.00	0.51	1.02



ALL DIMENSIONS REFER TO JEDEC STANDARD TO-252 AND DO NOT INCLUDE MOLD FLASH OR PROTRUSIONS.

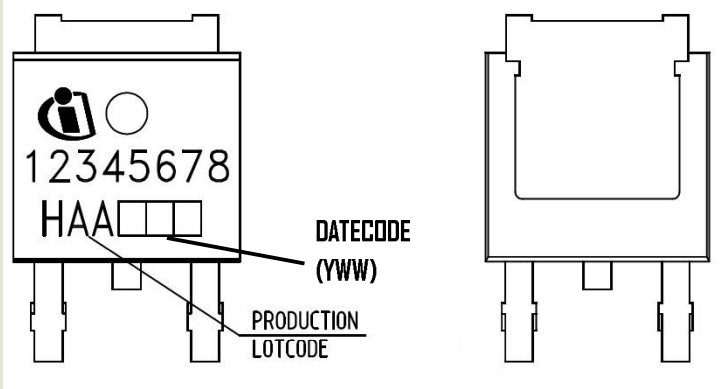
- > All package outer dimension are within the existing Infineon datasheet drawing with the exception of E1. (E1 updated from 5.21mm to 5.50 mm)
- > There is no impact in footprint, product quality, performance and reliability as verified by qualification.

PCN 2020-059-A: Implementation of matrix leadframe for Package PG-TO252-3 in Tongfu Microelectronics Co., Ltd. (TFME)



Visual Appearance for TFME TO252-3

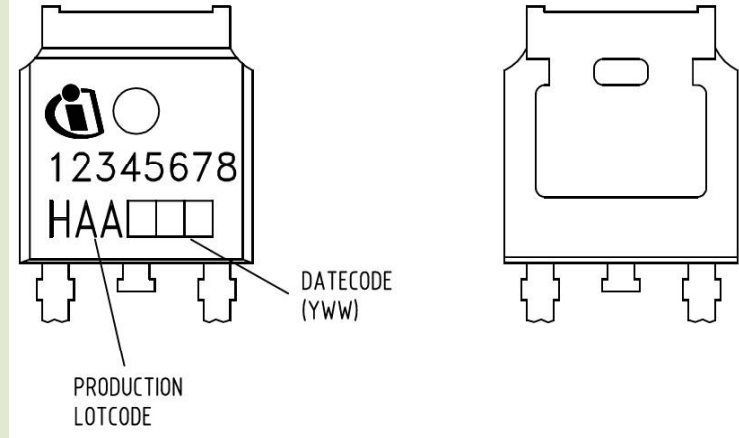
TFME TO252-3 single row leadframe



Front of package

Rear of package

TFME TO252-3 matrix leadframe



Front of package

Rear of package



Part of your life. Part of tomorrow.