



Product Change Notification

Current Date: 23-Jun-2020

TE Connectivity

Product Change Notification: E-20-007322

PCN Date: 08-JUN-20

Customer: Future Electronics(0000080100)

Location: WORLDWIDE

Agreement: Agreement Unknown

TE would like to inform you of the following change(s) to the listed TE Connectivity Product. In case of any further questions about this change(s), please contact your TE Connectivity Sales Engineer. Affected part, drawing and/or specification numbers are listed on the attached sheet(s).

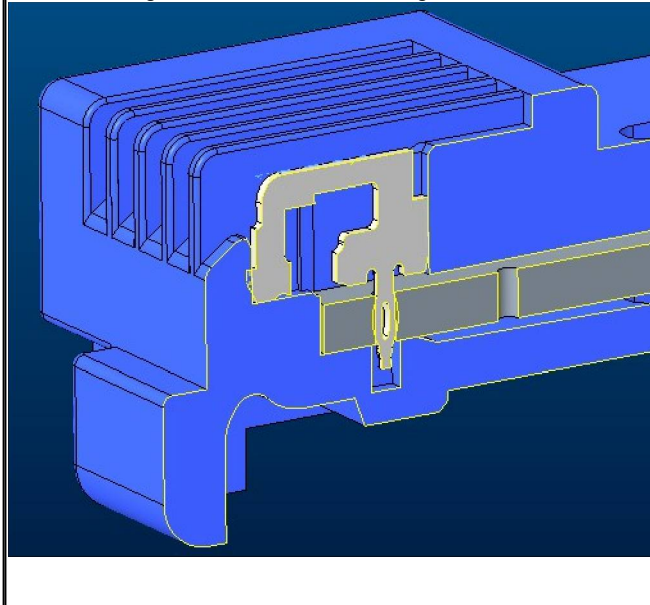
General Product Description:

RJ45 CONNECTOR CAT6A, IP20 PLUG & VARIANT 14; METAL PLUG, RJ45,CAT6A,8POS.

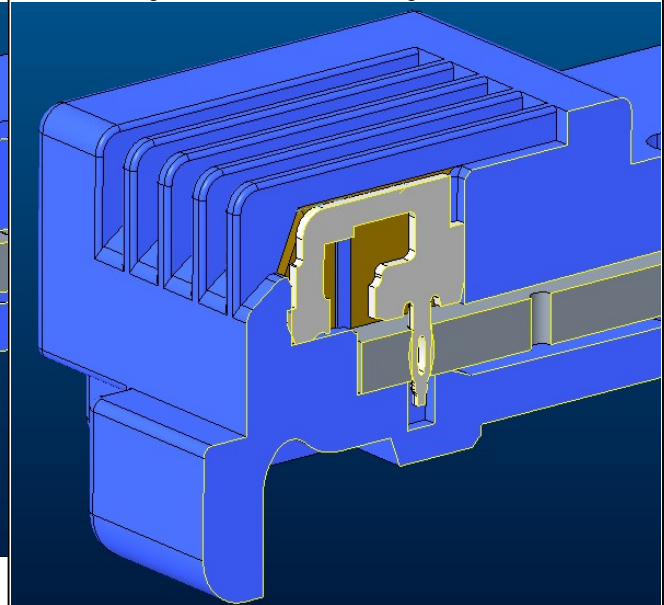
Description of Changes

Plastic material will be added to the inner sides of the eight contact chambers within the Terminal Housing to support a smoothly filling of chamber walls and their stabilization. The dimensions acc. to the IEC standard are stronger supported. After a release, please expect a mix of connectors. The new and old design does not have any impact on the functionality. Please note that there will be no physical change on following products except revision letter change: PN 2120864-1, 2-2120864-1, 3-2120864-1, 4-2120864-1 and 2120875-1, 2-2120875-1, 3-2120875-1, 4-2120875-1, 5-2120875-1, 6-2120875-1, 7-2120875-1, 8-2120875-1.

Terminal Housing for Common core Before Change



Terminal Housing for Common core After Change



Reason for Changes:

Product Improvement. Product Improvement. Continuous improvement of our product process. Hereby, we inform you about the modification of the Terminal Housing.

Estimated Dates:

Last Order Date (Obsolete Parts Only):	First Date To Ship (Changed Parts Only):
	21-AUG-2020
Last Ship Date (Obsolete Parts Only):	Last Date for Mixed Shipments: (Changed Parts Only):
	31-OCT-2020

Part Number(s) being Modified:

Part Number	Part Discontinued per PCN	Customer Drawing	Customer Part Number	Alias Part Number(s)	Substitute Part Number	Substitute Alias Part Number(s)	Description Of Difference
2-2120864-1	NO						
3-2120864-1	NO						
7-2120875-1	NO						

Customer: Future Electronics Inc. (1319888)

Location: Singapore

Agreement Number: Agreement Unknown

Part Number(s) being Modified:

Part Number	Part Discontinued per PCN	Customer Drawing	Customer Part Number	Alias Part Number(s)	Substitute Part Number	Substitute Alias Part Number(s)	Description Of Difference
-------------	---------------------------	------------------	----------------------	----------------------	------------------------	---------------------------------	---------------------------

Part Number	Part Discontinued per PCN	Customer Drawing	Customer Part Number	Alias Part Number(s)	Substitute Part Number	Substitute Alias Part Number(s)	Description Of Difference
2-2120864-1	NO						
7-2120875-1	NO						

Customer: Future Electronics Inc. (2883079)

Location: Singapore

Agreement Number: Agreement Unknown

Part Number(s) being Modified:

Part Number	Part Discontinued per PCN	Customer Drawing	Customer Part Number	Alias Part Number(s)	Substitute Part Number	Substitute Alias Part Number(s)	Description Of Difference
2-2120864-1	NO						
7-2120875-1	NO						

Customer: Future Electronics Inc (184927)

Location: Pointe Claire

Agreement Number: Agreement Unknown

Part Number(s) being Modified:

Part Number	Part Discontinued per PCN	Customer Drawing	Customer Part Number	Alias Part Number(s)	Substitute Part Number	Substitute Alias Part Number(s)	Description Of Difference
3-2120864-1	NO						