



MALLORY SONALERT PRODUCTS, INC.

Number: 20005

Date: 4/16/2020

### PRODUCT CHANGE NOTIFICATION

Reactions to this notification are to be addressed to Mallory Sonalert Sales Representative or Quality Control

#### PRODUCT / MODEL CHANGE

ALL LSC SERIES ALARMS ( LSC110N / LSC110NR / LSC250N / LSC250NR / LSC616N / LSC616NR / LSC628AN / LSC628ANR

#### CHANGE DESCRIPTION

Design change being made due to an optical component (LED) going obsolete  
New light on the parts will be an LED with a grommet

#### REASON FOR CHANGE

Original LED being obsoleted.

#### CHANGE OF FIT / FORM / FUNCTION?

Change will not affect the visual or audible performance of the part.

#### DISPOSITION OF OLD PRODUCT

Use up old inventory and Mallory will ship out current parts until stock is depleted.

#### ESTIMATED CODE DATE OF EFFECTED PRODUCT

N/A

#### COMMENTS:

Mallory recommends that samples of the affected part number be ordered and tested in current applications before approval is given.

Approved By: Dan Clark

TITLE: Quality Manager

DATE: 4/16/2020

By:

TITLE:

DATE:

# Mallory Sonalert Products, Inc.

Part #:

**LSC250N**

## Sales Outline Drawing

Revision:

**G**

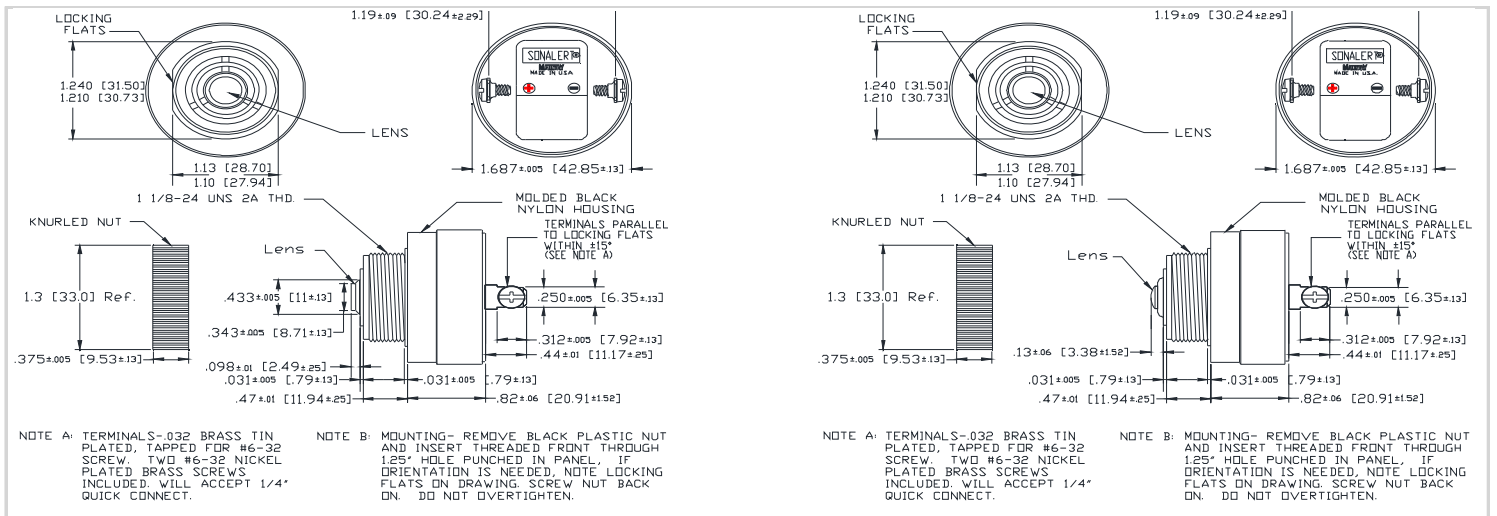
### Specifications:

Sound Level Category	Loud
Mode of Operation	Continuous - LED Blinking @ $2 \pm 1.5$ PPS
Voltage Rating	60 to 250 VAC/DC
Frequency	$2900 \pm 500$ Hz
Loudness @ 2 FT	88 to 100 dB(A) Typ.
Loudness @ Min Vdc	82 dB(A) @ 2 Feet and 60 Vdc
Loudness @ Max Vdc	90 dB(A) @ 2 Feet and 250 Vdc
Current Draw	42-61 mA
Duty Cycle (%)	50
Housing Material	6/6 Nylon, Color: Black
Storage Temperature	$-40^{\circ}$ to $+85^{\circ}$ C
Operating Temperature	$-30^{\circ}$ to $+65^{\circ}$ C
Panel Mounting	Recommended hole size is 1.25"(31.75mm). Thread front will fit standard 30mm(1.181") hole.
Knurled Nut	Used to attach part to panel. The max recommended torque is 10 in-lbs.
Weight (Typical)	1.6 oz (45g)
NEMA 3R,4X, & 12	Approved with use of ACC03.
Options	Please contact factory.

### Dimensions: Inches (mm)

Before Code Date: 2017 1

After Code Date: 2017 1



# Mallory Sonalert Products, Inc.

Part #:

**LSC110N**

## Sales Outline Drawing

Revision:

**G**

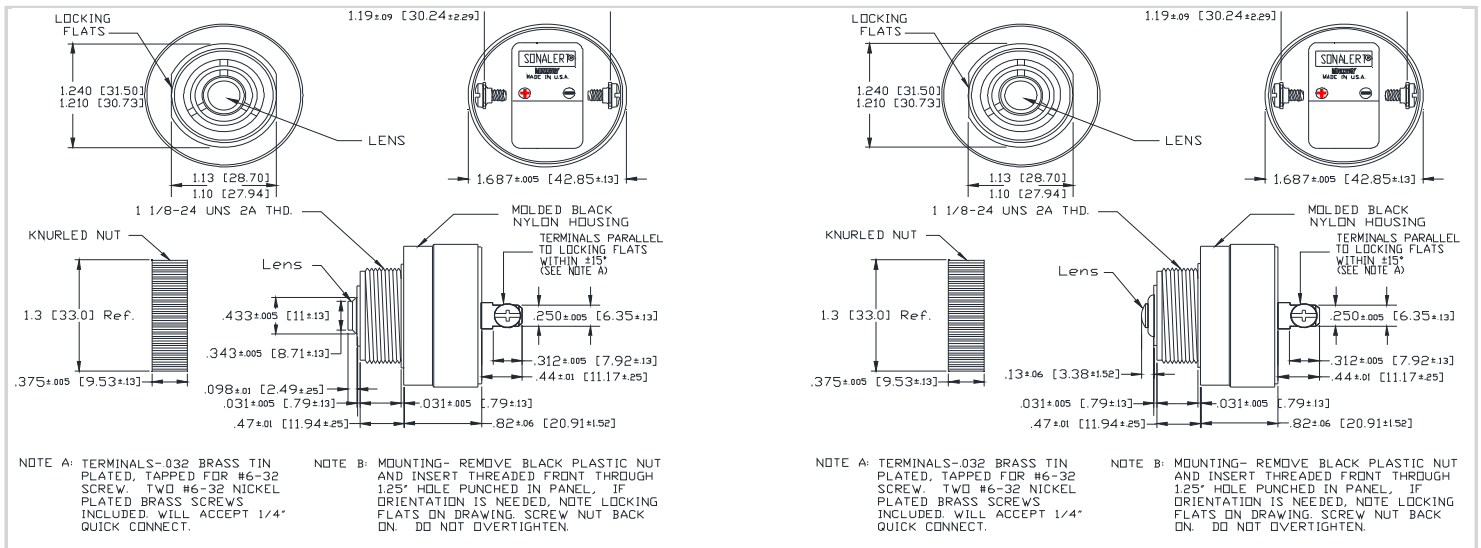
### Specifications:

Sound Level Category	Loud
Mode of Operation	Continuous - LED Blinking @ 2 ± 1.5 PPS
Voltage Rating	30 to 120 VAC/DC
Frequency	2900 ± 500 Hz
Loudness @ 2 FT	90 to 102 dB(A) Typ.
Loudness @ Min Vdc	80 dB(A) @ 2 Feet and 30 Vdc
Loudness @ Max Vdc	95 dB(A) @ 2 Feet and 120 Vdc
Current Draw	43-63mA
Duty Cycle (%)	50
Housing Material	6/6 Nylon, Color: Black
Storage Temperature	-40° to +85° C
Operating Temperature	-30° to +65° C
Panel Mounting	Recommended hole size is 1.25"(31.75mm). Thread front will fit standard 30mm(1.181") hole.
Knurled Nut	Used to attach part to panel. The max recommended torque is 10 in-lbs.
Weight (Typical)	1.6 oz (45g)
NEMA 3R,4X, & 12	Approved with use of ACC03.
Options	Please contact factory.

### Dimensions: Inches (mm)

Before Code Date: 2018 5

After Code Date: 2019 1



# Mallory Sonalert Products, Inc.

Part #:

**LSC616N**

## Sales Outline Drawing

Revision:

**D**

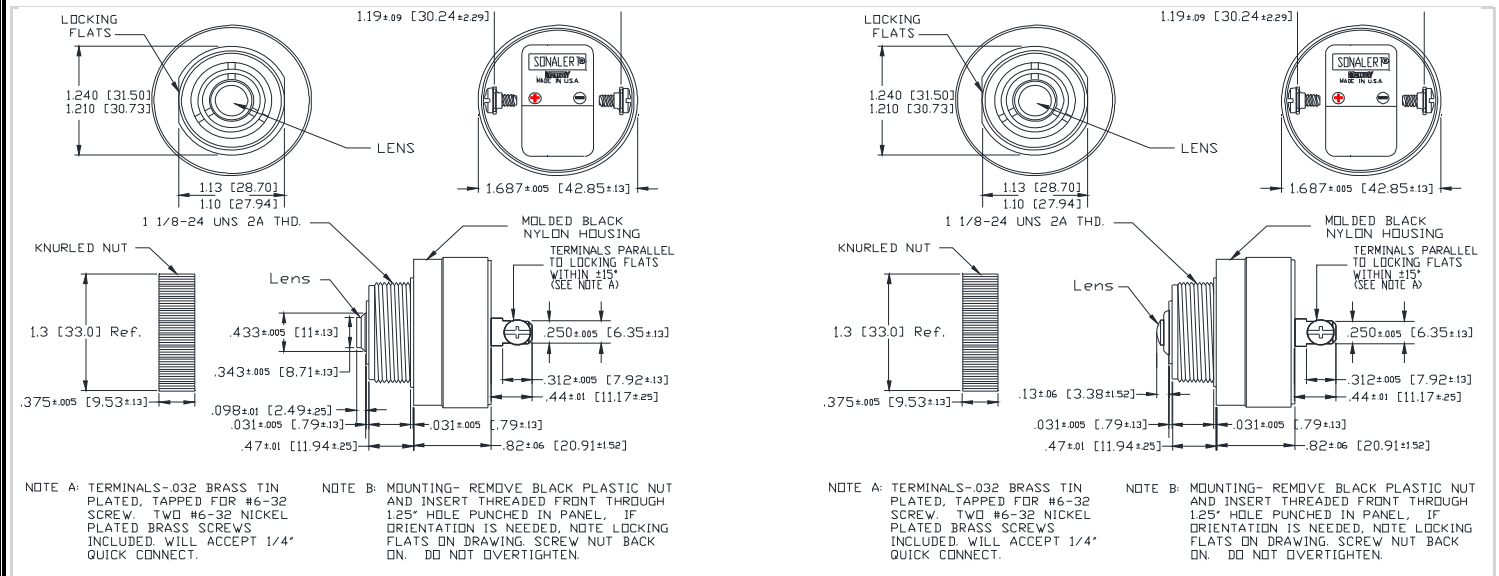
### Specifications:

Sound Level Category	Loud
Mode of Operation	Continuous - LED Blinking @ 2 ± 1.5 PPS
Voltage Rating	6 to 16 VDC
Frequency	2900 ± 500 Hz
Loudness @ 2 FT	91 to 103 dB(A) Typ.
Loudness @ Min Vdc	80 dB(A) @ 2 Feet and 6 Vdc
Loudness @ Max Vdc	95 dB(A) @ 2 Feet and 16 Vdc
Current Draw	65mA MAX
Duty Cycle (%)	50
Housing Material	6/6 Nylon, Color: Black
Storage Temperature	-40° to +85° C
Operating Temperature	-30° to +65° C
Panel Mounting	Recommended hole size is 1.25"(31.75mm). Thread front will fit standard 30mm(1.181") hole.
Knurled Nut	Used to attach part to panel. The max recommended torque is 10 in-lbs.
Weight (Typical)	1.6 oz (45g)
NEMA 3R,4X, & 12	Approved with use of ACC03.
Options	Please contact factory.

### Dimensions: Inches (mm)

Before Code Date: 2018 5

After Code Date: 2019 1



# Mallory Sonalert Products, Inc.

Part #:

**LSC110NR**

## Sales Outline Drawing

Revision:

**D**

### Specifications:

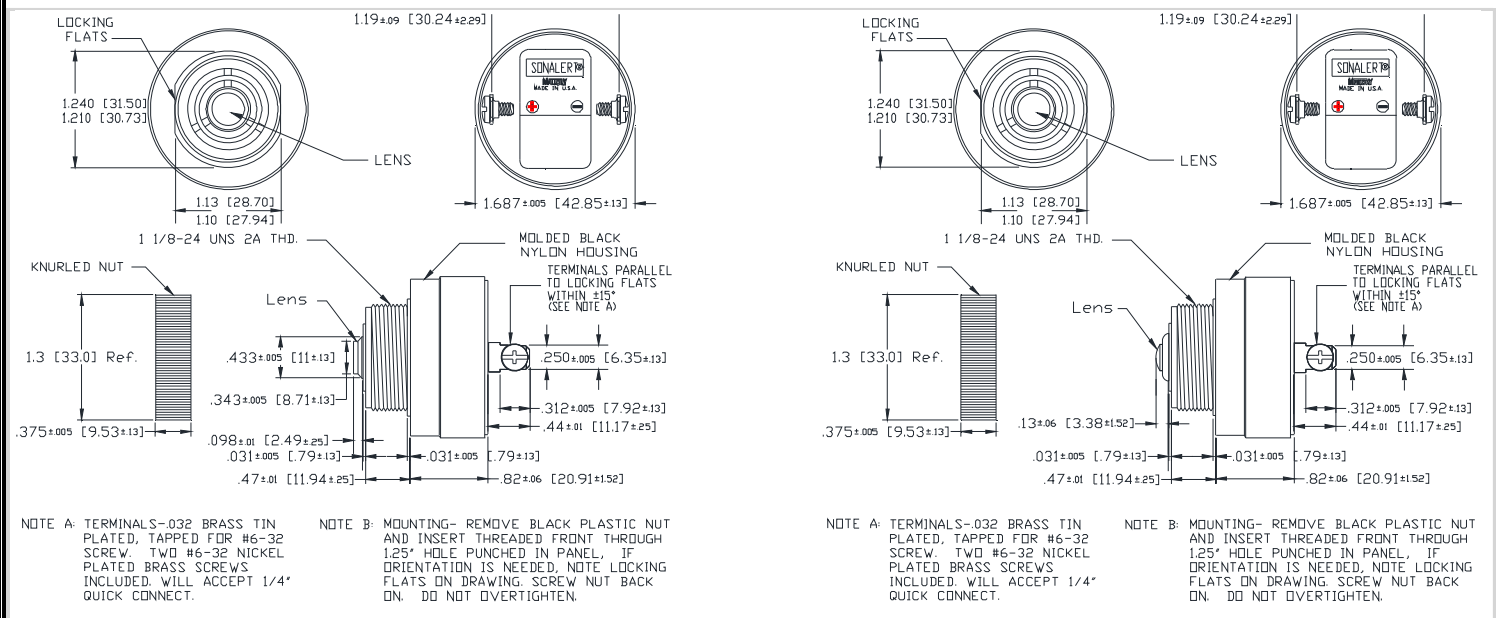
Sound Level Category	Loud
Mode of Operation	Continuous - LED Blinking @ $2 \pm 1.5$ PPS
Voltage Rating	30 to 120 VAC/DC
Frequency	$2900 \pm 500$ Hz
Loudness @ 2 FT	90 to 102 dB(A) Typ.
Loudness @ Min Vdc	80 dB(A) @ 2 Feet and 30 Vdc
Loudness @ Max Vdc	95 dB(A) @ 2 Feet and 120 Vdc
Current Draw	43-63mA
Duty Cycle (%)	50
Housing Material	6/6 Nylon, Color: Black
Storage Temperature	$-40^{\circ}$ to $+85^{\circ}$ C
Operating Temperature	$-30^{\circ}$ to $+65^{\circ}$ C
Panel Mounting	Recommended hole size is 1.25"(31.75mm). Thread front will fit standard 30mm(1.181") hole.
Knurled Nut	Used to attach part to panel. The max recommended torque is 10 in-lbs.
Weight (Typical)	1.6 oz (45g)
NEMA 3R,4X, & 12	Approved with use of ACC03.
Options	Please contact factory.

### Dimensions: Inches (mm)

Before Code Date: 2018 5

After Code Date: 2019 1

### ROHS Compliant



# Mallory Sonalert Products, Inc.

Part #:

**LSC628AN**

## Sales Outline Drawing

Revision:

**F**

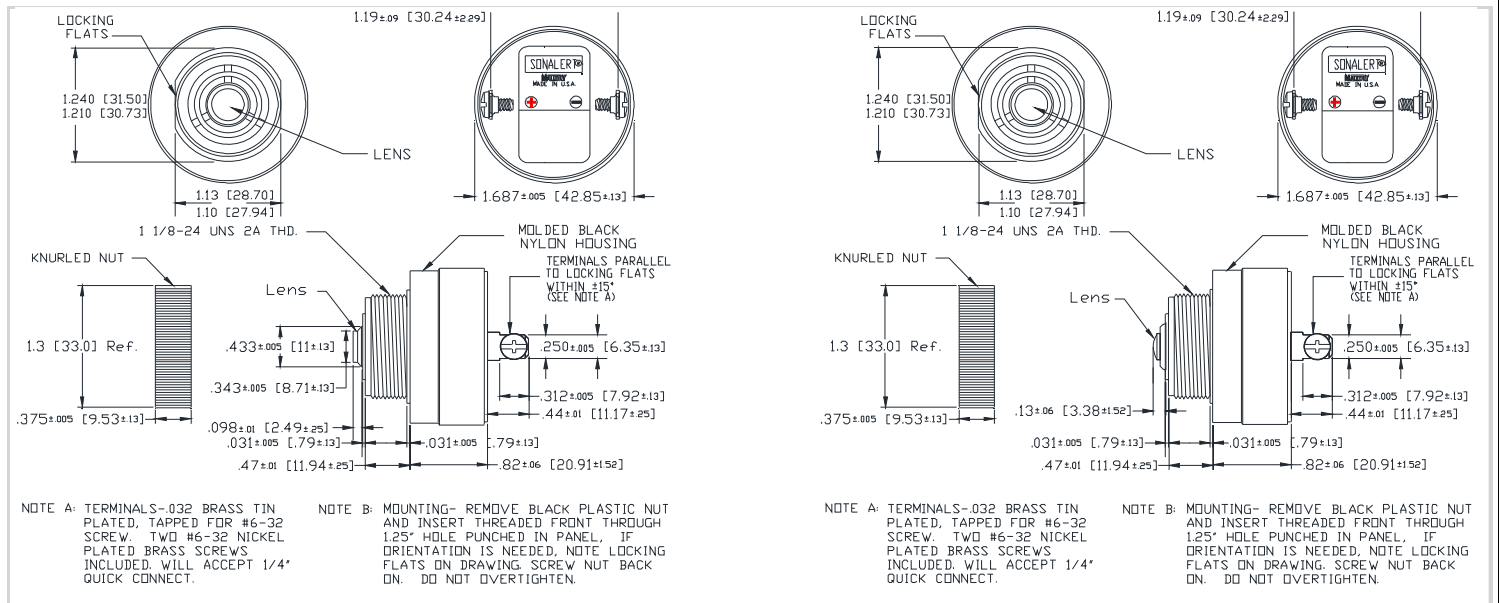
### Specifications:

Sound Level Category	Loud
Mode of Operation	Continuous - LED Blinking @ 2 ± 1.5 PPS
Voltage Rating	9 to 28 VAC/DC
Frequency	2900 ± 500 Hz
Loudness @ 2 FT	90 to 101 dB(A) Typ.
Loudness @ Min Vdc	80 dB(A) @ 2 Feet and 9 Vdc
Loudness @ Max Vdc	95 dB(A) @ 2 Feet and 28 Vdc
Current Draw	65mA MAX
Duty Cycle (%)	50
Housing Material	6/6 Nylon, Color: Black
Storage Temperature	-40° to +85° C
Operating Temperature	-30° to +65° C
Panel Mounting	Recommended hole size is 1.25"(31.75mm). Thread front will fit standard 30mm(1.181") hole.
Knurled Nut	Used to attach part to panel. The max recommended torque is 10 in-lbs.
Weight (Typical)	1.6 oz (45g)
NEMA 3R,4X, & 12	Approved with use of ACC03.
Options	Please contact factory.

### Dimensions: Inches (mm)

Before Code Date: 2019 5

After Code Date: 2020 1



# Mallory Sonalert Products, Inc.

Part #:

**LSC250NR**

## Sales Outline Drawing

Revision:

**D**

### Specifications:

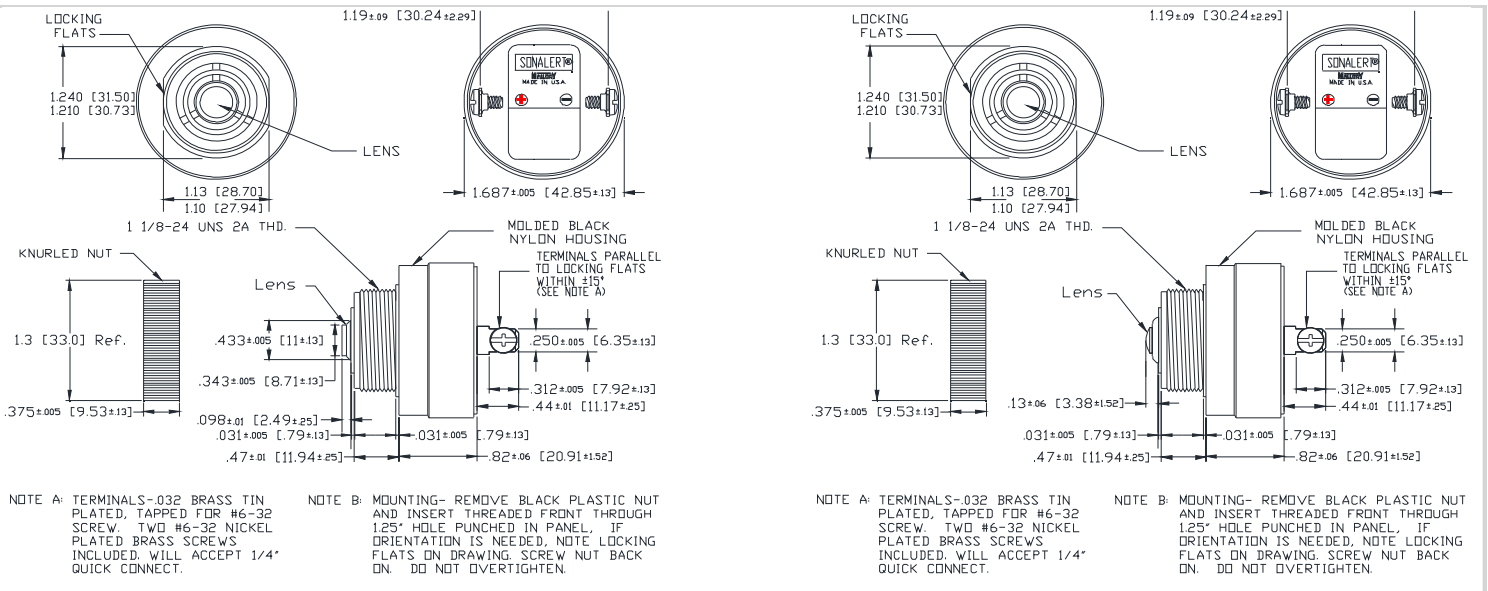
Sound Level Category	Loud
Mode of Operation	Continuous - LED Blinking @ 2 ± 1.5 PPS
Voltage Rating	60 to 250 VAC/DC
Frequency	2900 ± 500 Hz
Loudness @ 2 FT	88 to 100 dB(A) Typ.
Loudness @ Min Vdc	82 dB(A) @ 2 Feet and 60 Vdc
Loudness @ Max Vdc	90 dB(A) @ 2 Feet and 250 Vdc
Current Draw	42-61 mA
Duty Cycle (%)	50
Housing Material	6/6 Nylon, Color: Black
Storage Temperature	-40° to +85° C
Operating Temperature	-30° to +65° C
Panel Mounting	Recommended hole size is 1.25"(31.75mm). Thread front will fit standard 30mm(1.181") hole.
Knurled Nut	Used to attach part to panel. The max recommended torque is 10 in-lbs.
Weight (Typical)	1.6 oz (45g)
NEMA 3R,4X, & 12	Approved with use of ACC03.
Options	Please contact factory.

### Dimensions: Inches (mm)

Before Code Date: 2018 5

After Code Date: 2019 1

### ROHS Compliant



# Mallory Sonalert Products, Inc.

Part #:

**LSC616NR**

## Sales Outline Drawing

Revision:

**D**

### Specifications:

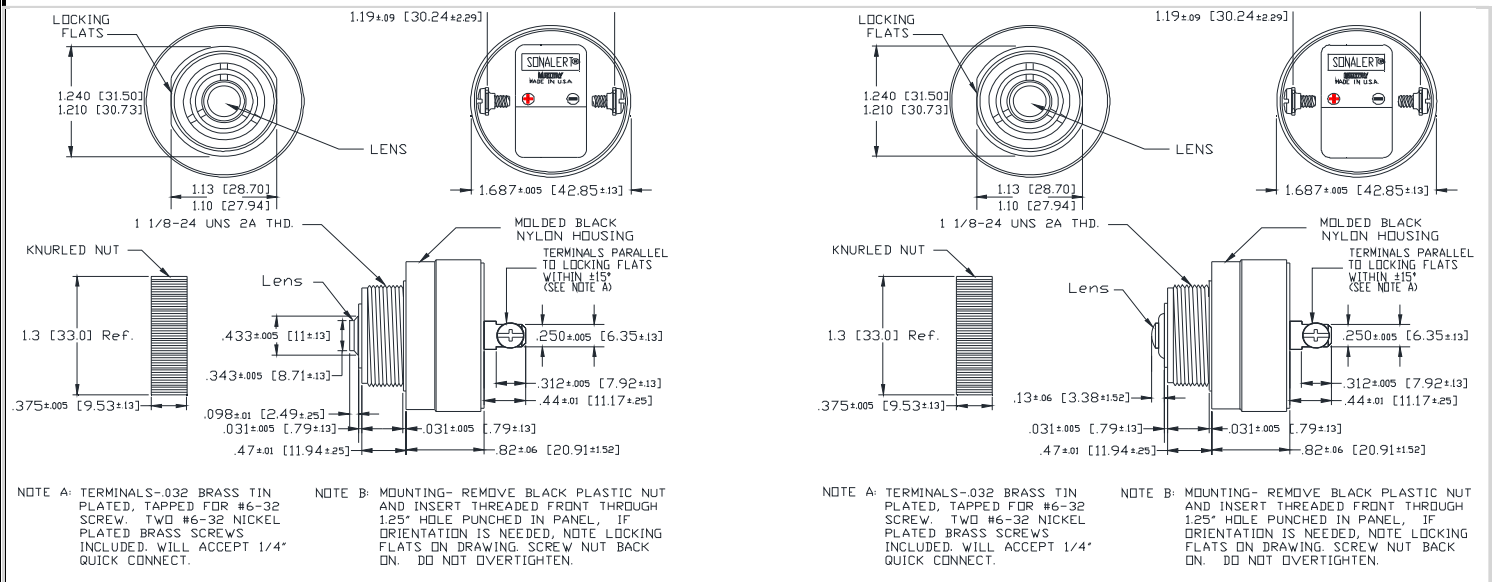
Sound Level Category	Loud
Mode of Operation	Continuous - LED Blinking @ 2 ± 1.5 PPS
Voltage Rating	6 to 16 VDC
Frequency	2900 ± 500 Hz
Loudness @ 2 FT	91 to 103 dB(A) Typ.
Loudness @ Min Vdc	80 dB(A) @ 2 Feet and 6 Vdc
Loudness @ Max Vdc	95 dB(A) @ 2 Feet and 16 Vdc
Current Draw	65mA MAX
Duty Cycle (%)	50
Housing Material	6/6 Nylon, Color: Black
Storage Temperature	-40° to +85° C
Operating Temperature	-30° to +65° C
Panel Mounting	Recommended hole size is 1.25"(31.75mm). Thread front will fit standard 30mm(1.181") hole.
Knurled Nut	Used to attach part to panel. The max recommended torque is 10 in-lbs.
Weight (Typical)	1.6 oz (45g)
NEMA 3R,4X, & 12	Approved with use of ACC03.
Options	Please contact factory.

### Dimensions: Inches (mm)

Before Code Date: 2018 5

After Code Date: 2019 1

**ROHS Compliant**





# Mallory Sonalert Products, Inc.

Part #: **LSC628ANR**

## Sales Outline Drawing

Revision: **D**

### Specifications:

Sound Level Category	Loud
Mode of Operation	Continuous - LED Blinking @ 2 ± 1.5 PPS
Voltage Rating	9 to 28 VAC/DC
Frequency	2900 ± 500 Hz
Loudness @ 2 FT	90 to 101 dB(A) Typ.
Loudness @ Min Vdc	80 dB(A) @ 2 Feet and 9 Vdc
Loudness @ Max Vdc	95 dB(A) @ 2 Feet and 28 Vdc
Current Draw	65mA MAX
Duty Cycle (%)	50
Housing Material	6/6 Nylon, Color: Black
Storage Temperature	-40° to +85° C
Operating Temperature	-30° to +65° C
Panel Mounting	Recommended hole size is 1.25"(31.75mm). Thread front will fit standard 30mm(1.181") hole.
Knurled Nut	Used to attach part to panel. The max recommended torque is 10 in-lbs.
Weight (Typical)	1.6 oz (45g)
NEMA 3R,4X, & 12	Approved with use of ACC03.
Options	Please contact factory.

### Dimensions: Inches (mm)

**ROHS Compliant**

Before Code Date: **2019 5**

After Code Date: **2020 1**

