

# BMI260 Family - Product Change Notification

## Additional ASIC Fab Release



### **BMI260 Family PCN – Additional ASIC Fab release**

Document revision	1.1
Document release date	Apr 17 <sup>th</sup> 2020
PCN Tracking number	BST-BMI260-PN000-01
Technical reference code(s)	0.273.017.000, 0.273.017.001, ... -.002, -.003, -.004, -.008
Notes	Data in this document are subject to change without notice. Product photos and pictures are for illustration purposes only and may differ from the real product's appearance.

## Index of Contents

<b>1. Change Description and Implementation .....</b>	<b>3</b>
1.1 Description.....	3
1.2 Product Labelling in Mass Production (Laser Marking).....	4
1.3 Shipping Box and T&R Labelling in Mass Production .....	5
<b>2. Affected Products .....</b>	<b>6</b>
<b>3. Acknowledgement and Response.....</b>	<b>6</b>
<b>4. Approval.....</b>	<b>6</b>
<b>5. Legal disclaimer .....</b>	<b>7</b>
5.1 Engineering samples .....	7
5.2 Product use.....	7
5.3 Application examples and hints.....	7
<b>6. Document history and modification .....</b>	<b>8</b>

# 1. Change Description and Implementation

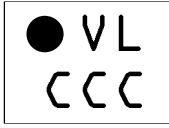
## 1.1 Description

Change description	Details
PCN tracking number	BST-BMI260-PN000-00
Product Identification (e.g., affected supplier part number(s), affected product lines including specific package types, product family).	BMI260 – 0.273.017.000 BMI220 – 0.273.017.001 BMI261 – 0.273.017.002 BMI264 – 0.273.017.003 BMI255 – 0.273.017.004 BMI270 – 0.273.017.008
Detailed description of change(s).	Introduction and release of TSMC Fab11 incl. related wafer level test as additional ASIC manufacturing site.
Method, if applicable, of identifying changed product	Update of Internal Code for Symbol “L” of product labelling (laser marking). See 1.2  New internal VPNS will appear on the shipping box and T&R label. See 1.3
Reason for change(s)	Increase of Supply Chain Flexibility, ASIC Production- and Test Capacity.
Anticipated impact on the product	There is no impact on form, fit, function, quality or the reliability of the product. Conformity is ensured by qualification.
Proposed First Ship Date for change	From 09 <sup>th</sup> June 2020 onwards (earliest date), additionally to the products released to mass production so far.
Documentation	This PCN; qual. report, plus update of section “Marking” of the related Product Datasheet.
Date, if required, when qualification samples are available.	30 <sup>th</sup> April 2020
Date, if required, when final qualification data are available.	30 <sup>th</sup> April 2020 pre-qual. report 09 <sup>th</sup> June 2020 final qual. report
Last date, if applicable, of manufacture of the unchanged product.	N/A (no change, i.e. product with ASIC from new Fab additional to original Fab)
Name, address, telephone, email, and fax number of supplier contact	Please contact the local sales for further information.
Statement, if applicable, that device material declaration will be updated due to material change.	N/A (no change, i.e. same material)

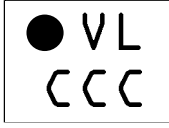
*Note:* This document is based on the JEDEC standard - JESD46D released Dec.2011

## 1.2 Product Labelling in Mass Production (Laser Marking)

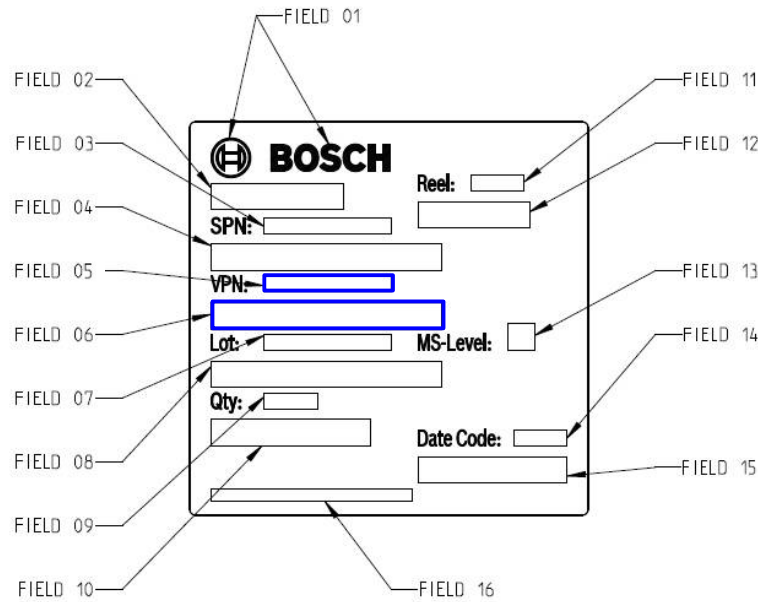
### Mass Production Laser Marking before PCN

Labeling	Name	Symbol	Remark
	Internal Code	L	1 alphanumeric digit, fixed, L ≠ "E" L = "P" or "L", internal use
	Product Identifier	V	1 alphanumeric digit, fixed, V = "5" to identify BMI260 product family
	Counter ID	CCC	3 alphanumeric digits, variable to generate trace-code.
	Pin 1 identifier top side	●	--

### Mass Production Laser Marking after PCN

Labeling	Name	Symbol	Remark
	Internal Code	L	1 alphanumeric digit, fixed, L ≠ "E" L = "P" or "L" or "W" or "N", internal use
	Product Identifier	V	1 alphanumeric digit, fixed, V = "5" to identify BMI260 product family
	Counter ID	CCC	3 alphanumeric digits, variable to generate trace-code.
	Pin 1 identifier top side	●	--

### 1.3 Shipping Box and T&R Labelling in Mass Production



Field	Description	Format	Change / Update
01	Bosch Symbol		Unchanged
02	Part description	Text	Unchanged
03	Sales Part number (SPN)	Text	Unchanged
04		Barcode	Unchanged
05	Bosch internal number (VPN)	Text	Update
06		Barcode	Update
07	Lot Number	Text	Continual
08		Barcode	Continual
09	Quantity	Text	Unchanged
10		Barcode	Unchanged
11	Reel number	Text	Continual
12		Barcode	Continual
13	MS-Level	Text	Unchanged
14	Date Code	Text (yy/ww)	Continual
15		Barcode	Continual
16	CoO / Made in*	Text	Unchanged

## 2. Affected Products

Order Code	SPN	Part description
0.273.017.000-1NV	0273017000	BMI260
0.273.017.001-1NV	0273017001	BMI220
0.273.017.002-1NV	0273017002	BMI261
0.273.017.003-1NV	0273017003	BMI264
0.273.017.004-1NV	0273017004	BMI255
0.273.017.008-1NV	0273017008	BMI270

## 3. Acknowledgement and Response

Lack of acknowledgement of the PCN until 30.05.2020 (within 30 days) constitutes acceptance of the change.

Any concern or sample order shall be submitted within the 30 days acknowledgement period starting from 30.04.2020. After acknowledgement, lack of additional response until 30.07.2020 (within the 90 days) period constitutes acceptance of the change.

In case customer's written agreement is available earlier, then the first shipment may take place from 09.06.2020 onwards.

*Note:* Further request regarding additional information or respective documents need to be addressed to your sales representation in a timely fashion (please refer the PCN time schedule above).

## 4. Approval

pki, BOSCH, DE, Digitally signed by pki, BOSCH, DE, R, A, Ralf.Schellin  
Date: 2020.04.24 12:12:32  
+02'00'  
 i.V. R, A, Ralf.Schellin  
 Ralf Schellin  
 Head of Product Area MEMS

pki, BOSCH, DE, Digital unterschrieben von pki, BOSCH, DE, M, A, Markus.Ulm  
Datum: 2020.04.24 13:30:46  
+02'00'  
 ppa. M, A, Markus.Ulm  
 Markus Ulm  
 Chief Technical Officer

## 5. Legal disclaimer

### 5.1 Engineering samples

Engineering Samples are marked with an asterisk (\*), (E) or (e). Samples may vary from the valid technical specifications of the product series contained in this data sheet. They are therefore not intended or fit for resale to third parties or for use in end products. Their sole purpose is internal client testing. The testing of an engineering sample may in no way replace the testing of a product series. Bosch Sensortec assumes no liability for the use of engineering samples. The Purchaser shall indemnify Bosch Sensortec from all claims arising from the use of engineering samples.

### 5.2 Product use

Bosch Sensortec products are developed for the consumer goods industry. They may only be used within the parameters of this product data sheet. They are not fit for use in life-sustaining or safety-critical systems. Safety-critical systems are those for which a malfunction is expected to lead to bodily harm, death or severe property damage. In addition, they shall not be used directly or indirectly for military purposes (including but not limited to nuclear, chemical or biological proliferation of weapons or development of missile technology), nuclear power, deep sea or space applications (including but not limited to satellite technology).

The resale and/or use of Bosch Sensortec products are at the purchaser's own risk and his own responsibility. The examination of fitness for the intended use is the sole responsibility of the purchaser.

The purchaser shall indemnify Bosch Sensortec from all third party claims arising from any product use not covered by the parameters of this product data sheet or not approved by Bosch Sensortec and reimburse Bosch Sensortec for all costs in connection with such claims.

The purchaser accepts the responsibility to monitor the market for the purchased products, particularly with regard to product safety, and to inform Bosch Sensortec without delay of all safety-critical incidents.

### 5.3 Application examples and hints

With respect to any examples or hints given herein, any typical values stated herein and/or any information regarding the application of the device, Bosch Sensortec hereby disclaims any and all warranties and liabilities of any kind, including without limitation warranties of non-infringement of intellectual property rights or copyrights of any third party. The information given in this document shall in no event be regarded as a guarantee of conditions or characteristics. They are provided for illustrative purposes only and no evaluation regarding infringement of intellectual property rights or copyrights or regarding functionality, performance or error has been made.

## 6. Document history and modification

Rev. No	Chapter	Description of modification/changes	Date
0.1	all	Initial version	2020-02-18
1.0	all	Final version	2020-04-15
1.1	4	Update legal disclaimer	2020-04-17



**Bosch Sensortec GmbH**

Gerhard-Kindler-Straße 9  
72770 Reutlingen / Germany

[contact@bosch-sensortec.com](mailto:contact@bosch-sensortec.com)  
[www.bosch-sensortec.com](http://www.bosch-sensortec.com)

Modifications reserved  
PCN subject to change without notice  
Document number: BST-BMI260-PN000-01  
Revision\_1.1\_20200417