



## Product Change Notification - SYST-12JLGY927

---

**Date:**

13 May 2020

**Product Category:**

Memory

**Affected CPNs:**



**Notification subject:**

Data Sheet - AT28HC256 - Complete Datasheet

**Notification text:**

SYST-12JLGY927

Microchip has released a new Product Documents for the AT28HC256 - Complete Datasheet of devices. If you are using one of these devices please read the document located at [AT28HC256 - Complete Datasheet](#).

**Notification Status:** Final

**Description of Change:** 1) Updated to the Microchip template. Microchip DS20006352 replaces Atmel document 0006. Added updated Part Markings to include new trace code format

**Impacts to Data Sheet:** None

**Reason for Change:** To Improve Manufacturability

**Change Implementation Status:** Complete

**Date Document Changes Effective:** 13 May 2020

**NOTE:** Please be advised that this is a change to the document only the product has not been changed.

**Markings to Distinguish Revised from Unrevised Devices:** N/A

**Attachment(s):**

[AT28HC256 - Complete Datasheet](#)

Please contact your local [Microchip sales office](#) with questions or concerns regarding this notification.

**Terms and Conditions:**

If you wish to receive Microchip PCNs via email please register for our PCN email service at our [PCN home page](#) select register then fill in the required fields. You will find instructions about registering for Microchips PCN email service in the [PCN FAQ](#) section.

If you wish to change your PCN profile, including opt out, please go to the [PCN home page](#) select login and sign into your myMicrochip account. Select a profile option from the left navigation bar and make the applicable selections.

Affected Catalog Part Numbers (CPN)

AT28HC256-WM  
AT28HC256-WM-172  
AT28HC256-W-936  
AT28HC256-DM-554  
AT28HC256-DM-172  
AT28HC256-DWFM  
AT28HC256E-12LM/883  
AT28HC256E-12UM/883  
AT28HC256-90DM/883  
AT28HC256E-90DM/883  
AT28HC256-12DM/883  
AT28HC256E-12DM/883  
AT28HC256F-90DM/883  
AT28HC256F-12DM/883  
AT28HC256-90FM/883  
AT28HC256E-90FM/883  
AT28HC256-12FM/883  
AT28HC256E-12FM/883  
AT28HC256F-90FM/883  
AT28HC256F-12FM/883  
AT28HC256-90FM/883-023  
AT28HC256-90LM/883  
AT28HC256E-90LM/883  
AT28HC256-12LM/883  
AT28HC256F-90LM/883  
AT28HC256F-12LM/883  
AT28HC256-90LM/883-696  
AT28HC256-90UM/883  
AT28HC256E-90UM/883  
AT28HC256-12UM/883  
AT28HC256F-90UM/883  
AT28HC256F-12UM/883



# AT28HC256

---

---

## Military Grade 256-Kbit (32,768 x 8) High-Speed Paged Parallel EEPROM

---

---

### Features

---

- Fast Read Access Time: 90 ns
- Automatic Page Write Operation:
  - Internally organized as 32,768 x 8 (256K)
  - Internal address and data latches for 64 bytes
  - Internal control timer
- Fast Write Cycle Time:
  - Page Write cycle time: 3 ms or 10 ms maximum
  - 1 to 64-byte Page Write operation
- Low-Power Dissipation:
  - 80 mA active current
  - 3 mA CMOS standby current
- Hardware and Software Data Protection
- $\overline{\text{DATA}}$  Polling for End of Write Detection
- High Reliability CMOS Technology:
  - Endurance: 10,000 or 100,000 cycles
  - Data retention: 10 years
- Single 5V  $\pm$  10% Supply
- CMOS and TTL Compatible Inputs and Outputs
- JEDEC<sup>®</sup> Approved Byte-Wide Pinout
- Full Military Temperature Range

### Packages

---

- 32-Lead CERDIP, 32-Lead Flatpack, 32-Lead CLCC and 30-Pin PGA

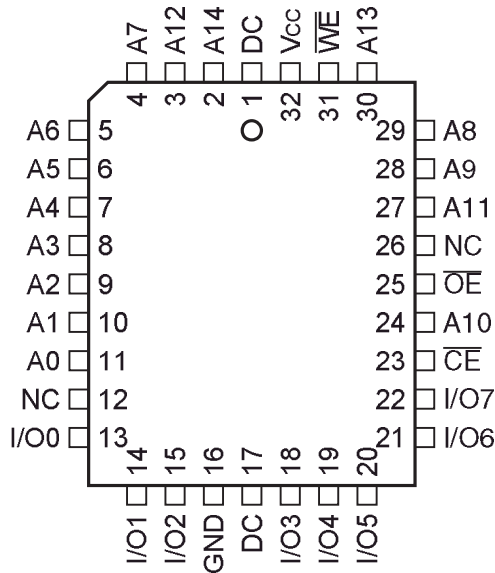
## Table of Contents

Features.....	1
Packages.....	1
1. Package Types (not to scale).....	4
2. Pin Descriptions.....	5
3. Description.....	6
3.1. Block Diagram.....	6
4. Electrical Characteristics.....	7
4.1. Absolute Maximum Ratings.....	7
4.2. DC and AC Operating Range.....	7
4.3. DC Characteristics.....	7
4.4. Pin Capacitance.....	8
5. Normalized $I_{CC}$ Graphics.....	9
6. Device Operation.....	10
6.1. Operating Modes.....	11
6.2. AC Read Characteristics.....	11
6.3. AC Read Waveforms.....	12
6.4. Input Test Waveforms and Measurement Level.....	12
6.5. Output Test Load.....	12
6.6. AC Write Characteristics.....	13
6.7. AC Write Waveforms.....	13
6.8. Page Mode Characteristics.....	14
6.9. Page Mode Write Waveforms <sup>(1,2)</sup> .....	15
6.10. Chip Erase Waveforms.....	15
6.11. Software Data Protection Enable Algorithm <sup>(1)</sup> .....	16
6.12. Software Data Protection Disable Algorithm <sup>(1)</sup> .....	17
6.13. Software Protected Program Cycle Waveform <sup>(1,2)</sup> .....	18
6.14. Data Polling Characteristics <sup>(1)</sup> .....	18
6.15. Data Polling Waveforms.....	19
6.16. Toggle Bit Characteristics <sup>(1)</sup> .....	19
6.17. Toggle Bit Waveforms.....	19
7. Packaging Information.....	21
7.1. Package Marking Information.....	21
8. Revision History.....	26
The Microchip Website.....	27
Product Change Notification Service.....	27
Customer Support.....	27
Product Identification System.....	28

Microchip Devices Code Protection Feature.....	29
Legal Notice.....	30
Trademarks.....	30
Quality Management System.....	31
Worldwide Sales and Service.....	32

### 1. Package Types (not to scale)

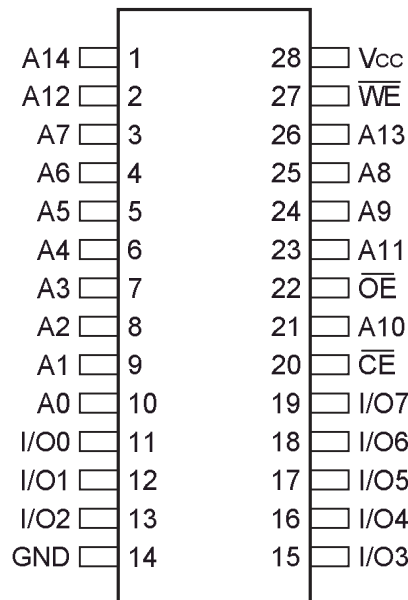
**32-Pad CLCC<sup>(1)</sup>**  
Top View



**28-Lead PGA**  
Top View

4 A6	3 A7	1 A14	27 WE	26 A13
5 A5	2 A12	28 V <sub>cc</sub>	24 A9	25 A8
7 A3	6 A4		22 OE	23 A11
9 A1	8 A2		20 CE	21 A10
11 I/O0	10 A0	14 GND	16 I/O4	19 I/O7
12 I/O1	13 I/O2	15 I/O3	17 I/O5	18 I/O6

**28-Lead Cerdip/Flatpack**  
Top View



**Note:**

1. CLCC package pins 1 and 17 are "Don't Connect".

## 2. Pin Descriptions

The descriptions of the pins are listed in [Table 2-1](#).

**Table 2-1. Pin Function Table**

Name	32-Lead CERDIP	32-Lead CLCC	32-Lead FLATPACK	30-Pin PGA	Function
DC	—	1	—	—	Don't Connect
A14	1	2	1	1	Address
A12	2	3	2	2	Address
A7	3	4	3	3	Address
A6	4	5	4	4	Address
A5	5	6	5	5	Address
A4	6	7	6	6	Address
A3	7	8	7	7	Address
A2	8	9	8	8	Address
A1	9	10	9	9	Address
A0	10	11	10	10	Address
NC	—	12	—	—	No Connect
I/O0	11	13	11	11	Data Input/Output
I/O1	12	14	12	12	Data Input/Output
I/O2	13	15	13	13	Data Input/Output
GND	14	16	14	14	Ground
DC	—	17	—	—	Don't Connect
I/O3	15	18	15	15	Data Input/Output
I/O4	16	19	16	16	Data Input/Output
I/O5	17	20	17	17	Data Input/Output
I/O6	18	21	18	18	Data Input/Output
I/O7	19	22	19	19	Data Input/Output
$\overline{CE}$	20	23	20	20	Chip Enable
A10	21	24	21	21	Address
$\overline{OE}$	22	25	22	22	Output Enable
NC	—	26	—	—	No Connect
A11	23	27	23	23	Address
A9	24	28	24	24	Address
A8	25	29	25	25	Address
A13	26	30	26	26	Address
$\overline{WE}$	27	31	27	27	Write Enable
V <sub>CC</sub>	28	32	28	28	Device Power Supply

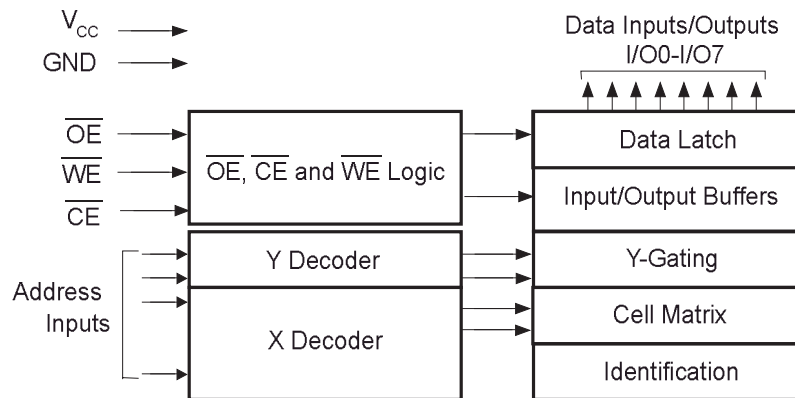
### 3. Description

The AT28HC256 is a high-performance Electrically Erasable and Programmable Read-Only Memory (EEPROM). Its 256-Kb memory is organized as 32,768 words by 8 bits. Manufactured with Microchip's advanced nonvolatile CMOS technology, the device offers access times to 90 ns with power dissipation of just 440 mW. When the device is deselected, the CMOS standby current is less than 5 mA.

The AT28HC256 is accessed like a Static RAM for the read or write cycle without the need for external components. The device contains a 64-byte page register to allow writing of up to 64 bytes simultaneously. During a write cycle, the address and 1 to 64 bytes of data are internally latched, freeing the address and data bus for other operations. Following the initiation of a write cycle, the device will automatically write the latched data using an internal control timer. The end of a write cycle can be detected by  $\overline{\text{DATA}}$  Polling of I/O7. Once the end of a write cycle has been detected, a new access for a read or write can begin.

The AT28HC256 has additional features to ensure high quality and manufacturability. The device utilizes internal error correction for extended endurance and improved data retention characteristics. An optional software data protection mechanism is available to guard against inadvertent writes. The device also includes an extra 64 bytes of EEPROM for device identification or tracking.

#### 3.1 Block Diagram





## 4. Electrical Characteristics

### 4.1 Absolute Maximum Ratings

Temperature under bias	-55°C to +125°C
Storage temperature	-65°C to +150°C
All input voltages (including NC pins) with respect to ground	-0.6V to +6.25V
All output voltages with respect to ground	-0.6V to $V_{CC} + 0.6V$
Voltage on $\overline{OE}$ and A9 with respect to ground	-0.6V to +13.5V

**Note:** Stresses above those listed under “Absolute Maximum Ratings” may cause permanent damage to the device. This is a stress rating only and functional operation of the device at these or any other conditions above those indicated in the operation listings of this specification is not implied. Exposure to absolute maximum rating conditions for extended periods may affect device reliability.

### 4.2 DC and AC Operating Range

Table 4-1. DC and AC Operating Range

		AT28HC256-90	AT28HC256-12
Operating Temperature (Case)	Military	-55°C to +125°C	-55°C to +125°C
$V_{CC}$ Power Supply		5V ± 10%	5V ± 10%

### 4.3 DC Characteristics

Table 4-2. DC Characteristics

Parameter	Symbol	Minimum	Maximum	Units	Test Conditions
Input Load Current	$I_{LI}$	—	10	μA	$V_{IN} = 0V$ to $V_{CC} + 1V$
Output Leakage Current	$I_{LO}$	—	10	μA	$V_{IO} = 0V$ to $V_{CC}$
$V_{CC}$ Standby Current TTL	$I_{SB1}$	—	3	mA	$\overline{CE} = 2.0V$ to $V_{CC} + 1V$
$V_{CC}$ Standby Current CMOS	$I_{SB2}$	—	300	μA	$\overline{CE} = V_{CC} - 0.3V$ to $V_{CC}$
$V_{CC}$ Active Current	$I_{CC}$	—	80	mA	$f = 5$ MHz; $I_{OUT} = 0$ mA
Input Low Voltage	$V_{IL}$	—	0.8	V	
Input High Voltage	$V_{IH}$	2.0	—	V	
Output Low Voltage	$V_{OL}$	—	0.45	V	$I_{OL} = 6.0$ mA
Output High Voltage	$V_{OH1}$	2.4	—	V	$I_{OH} = -4$ mA

## 4.4 Pin Capacitance

Table 4-3. Pin Capacitance<sup>(1,2)</sup>

Symbol	Typical	Maximum	Units	Conditions
$C_{IN}$	4	6	pF	$V_{IN} = 0V$
$C_{OUT}$	8	12	pF	$V_{OUT} = 0V$

**Note:**

1. This parameter is characterized but is not 100% tested in production.
2.  $f = 1 \text{ MHz}$ ,  $T_A = 25^\circ\text{C}$

## 5. Normalized $I_{CC}$ Graphics

Figure 5-1. Normalized Supply Current vs. Temperature

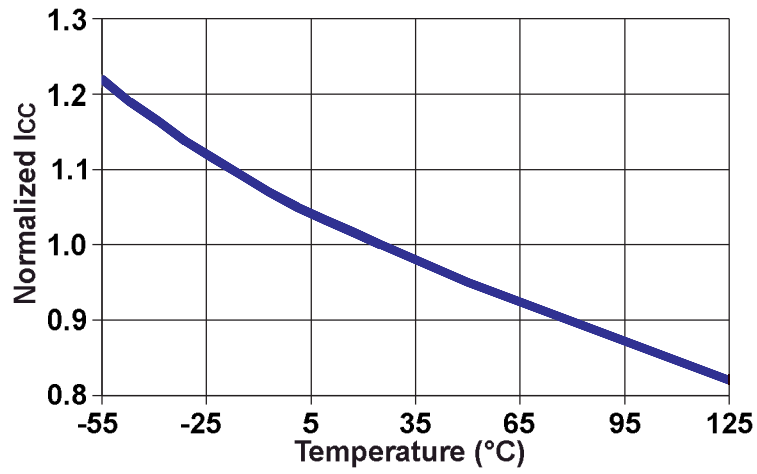


Figure 5-2. Normalized Supply Current vs. Address Frequency

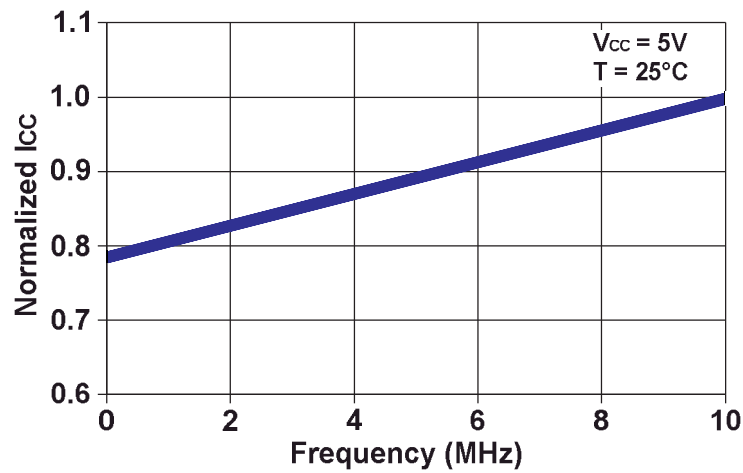
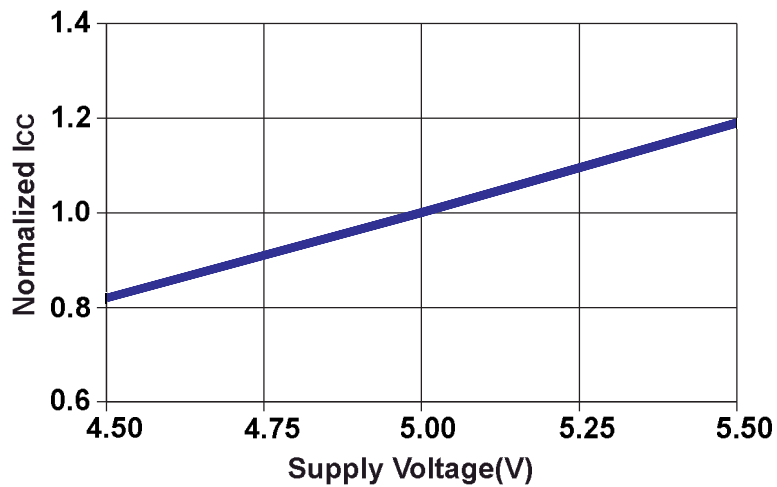


Figure 5-3. Normalized Supply Current vs. Supply Voltage



## 6. Device Operation

**READ:** The AT28HC256 is accessed like a Static RAM. When  $\overline{CE}$  and  $\overline{OE}$  are low and  $\overline{WE}$  is high, the data stored at the memory location determined by the address pins is asserted on the outputs. The outputs are put in the high-impedance state when either  $\overline{CE}$  or  $\overline{OE}$  is high. This dual-line control gives designers flexibility in preventing bus contention in their system.

**BYTE WRITE:** A low pulse on the  $\overline{WE}$  or  $\overline{CE}$  input with  $\overline{CE}$  or  $\overline{WE}$  low (respectively) and  $\overline{OE}$  high initiates a write cycle. The address is latched on the falling edge of  $\overline{CE}$  or  $\overline{WE}$ , whichever occurs last. The data is latched by the first rising edge of  $\overline{CE}$  or  $\overline{WE}$ . Once a byte write is started, it will automatically time itself to completion. Once a programming operation is initiated and for the duration of  $t_{WC}$ , a read operation will effectively be a polling operation.

**PAGE WRITE:** The page write operation of the AT28HC256 allows 1 to 64 bytes of data to be written into the device during a single internal programming period. A page write operation is initiated in the same manner as a byte write; the first byte written can then be followed by 1 to 63 additional bytes. Each successive byte must be written within 150  $\mu$ s ( $t_{BLC}$ ) of the previous byte. If the  $t_{BLC}$  limit is exceeded, the AT28HC256 will cease accepting data and commence the internal programming operation. All bytes during a page write operation must reside on the same page as defined by the state of the A6-A14 inputs. For each  $\overline{WE}$  high-to-low transition during the page write operation, A6-A14 must be the same. The A0 to A5 inputs are used to specify which bytes within the page are to be written. The bytes may be loaded in any order and may be altered within the same load period. Only bytes which are specified for writing will be written; unnecessary cycling of other bytes within the page does not occur.

**DATA POLLING:** The AT28HC256 features  $\overline{DATA}$  Polling to indicate the end of a write cycle. During a byte or page write cycle, an attempted read of the last byte written will result in the complement of the written data to be presented on I/O7. Once the write cycle has been completed, true data is valid on all outputs, and the next write cycle may begin.  $\overline{DATA}$  Polling may begin at any time during the write cycle.

**TOGGLE BIT:** In addition to  $\overline{DATA}$  Polling, the AT28HC256 provides another method for determining the end of a write cycle. During the write operation, successive attempts to read data from the device will result in I/O6 toggling between one and zero. Once the write has completed, I/O6 will stop toggling and valid data will be read. Reading the toggle bit may begin at any time during the write cycle.

**DATA PROTECTION:** If precautions are not taken, inadvertent writes may occur during transitions of the host system power supply. Microchip incorporated both hardware and software features that will protect the memory against inadvertent writes.

**HARDWARE PROTECTION:** Hardware features protect against inadvertent writes to the AT28HC256 in the following ways:

- $V_{CC}$  sense – if  $V_{CC}$  is below 3.8V (typical), the write function is inhibited
- $V_{CC}$  power-on delay – once  $V_{CC}$  has reached 3.8V, the device will automatically time out 5 ms (typical) before allowing a write
- write inhibit – holding any one of  $\overline{OE}$  low,  $\overline{CE}$  high or  $\overline{WE}$  high inhibits write cycles
- noise filter – pulses of less than 15 ns (typical) on the  $\overline{WE}$  or  $\overline{CE}$  inputs will not initiate a write cycle

**SOFTWARE DATA PROTECTION:** A software-controlled data protection feature has been implemented on the AT28HC256. When enabled, the software data protection (SDP) will prevent inadvertent writes. The SDP feature may be enabled or disabled by the user; the AT28HC256 is shipped with SDP disabled.

SDP is enabled by the host system issuing a series of three write commands; three specific bytes of data are written to three specific addresses (refer to Software Data Protection Algorithm). After writing the 3-byte command sequence and after  $t_{WC}$ , the entire AT28HC256 will be protected against inadvertent write operations. It should be noted that, once protected, the host may still perform a byte or page write to the AT28HC256. This is done by preceding the data to be written by the same 3-byte command sequence used to enable SDP.

Once set, SDP will remain active unless the disable command sequence is issued. Power transitions do not disable SDP and SDP will protect the AT28HC256 during power-up and power-down conditions. All command sequences must conform to the page write timing specifications. The data in the enable and disable command sequences is not written to the device and the memory addresses used in the sequence may be written with data in either a byte or page write operation.

After setting SDP, any attempt to write to the device without the 3-byte command sequence will start the internal write timers. No data will be written to the device; however, for the duration of  $t_{WC}$ , read operations will effectively be polling operations.

**DEVICE IDENTIFICATION:** An extra 64 bytes of EEPROM memory are available to the user for device identification. By raising A9 to  $12V \pm 0.5V$  and using address locations 7FC0H to 7FFFH, the bytes may be written to or read from in the same manner as the regular memory array.

**OPTIONAL CHIP ERASE MODE:** The entire device can be erased using a 6-byte software code. See Software Chip Erase application note for details.

## 6.1 Operating Modes

Table 6-1. Operating Modes

Mode	$\overline{CE}$	$\overline{OE}$	WE	I/O
Read	$V_{IL}$	$V_{IL}$	$V_{IH}$	$D_{OUT}$
Write <sup>(1)</sup>	$V_{IL}$	$V_{IH}$	$V_{IL}$	$D_{IN}$
Standby/Write Inhibit	$V_{IH}$	X <sup>(2)</sup>	X	High-Z
Write Inhibit	X	X	$V_{IH}$	
Write Inhibit	X	$V_{IL}$	X	
Output Disable	X	$V_{IH}$	X	High-Z
Chip Erase	$V_{IL}$	$V_H$ <sup>(3)</sup>	$V_{IL}$	High-Z

**Note:**

1. Refer to AC Programming Waveforms.
2. X can be  $V_{IL}$  or  $V_{IH}$ .
3.  $V_H = 12.0 V \pm 0.5V$

## 6.2 AC Read Characteristics

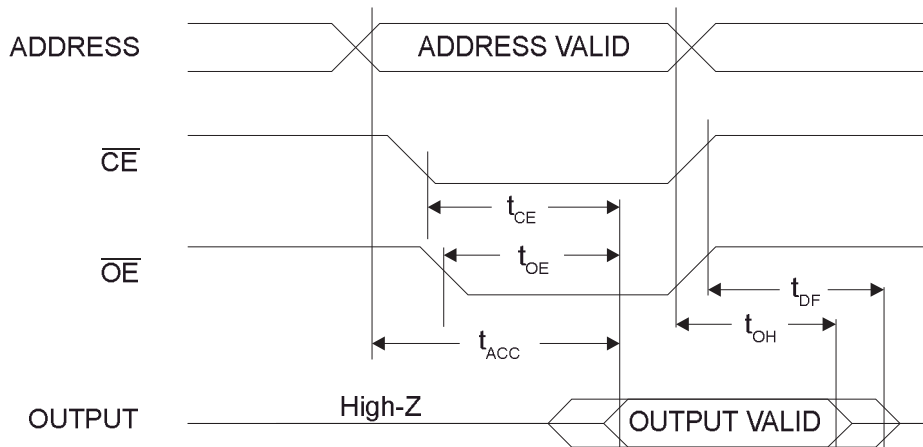
Table 6-2. AC Read Characteristics

Parameter	Symbol	AT28HC256-90		AT28HC256-12		Units
		Min.	Max.	Min.	Max.	
Address to Output Delay	$t_{ACC}$	—	90	—	120	ns
$\overline{CE}$ to Output Delay	$t_{CE}$ <sup>(1)</sup>	—	90	—	120	ns
$\overline{OE}$ to Output Delay	$t_{OE}$ <sup>(2)</sup>	0	40	0	50	ns
$\overline{CE}$ or $\overline{OE}$ to Output Float	$t_{DF}$ <sup>(3,4)</sup>	0	40	0	50	ns
Output Hold from $\overline{OE}$ or $\overline{CE}$ , whichever occurred first	$t_{OH}$	0	—	0	—	ns

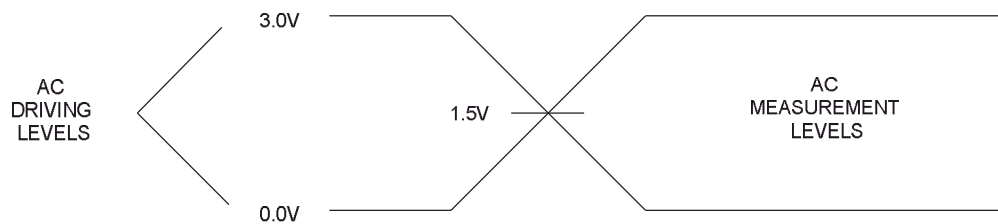
**Note:**

1.  $\overline{CE}$  may be delayed up to  $t_{ACC}-t_{CE}$  after the address transition without impact on  $t_{ACC}$ .
2.  $\overline{OE}$  may be delayed up to  $t_{CE}-t_{OE}$  after the falling edge of  $\overline{CE}$  without impact on  $t_{CE}$  or by  $t_{ACC}-t_{OE}$  after an address change without impact in  $t_{ACC}$ .
3.  $t_{DF}$  is specified from  $\overline{OE}$  or  $\overline{CE}$ , whichever occurs first ( $C_L = 5 \text{ pF}$ ).
4. This parameter is characterized and is not 100% tested.

**6.3 AC Read Waveforms**

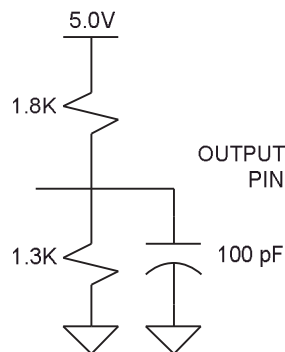


**6.4 Input Test Waveforms and Measurement Level**



Note:  $t_R, t_F < 5$  ns.

**6.5 Output Test Load**



## 6.6 AC Write Characteristics

Table 6-3. AC Write Characteristics

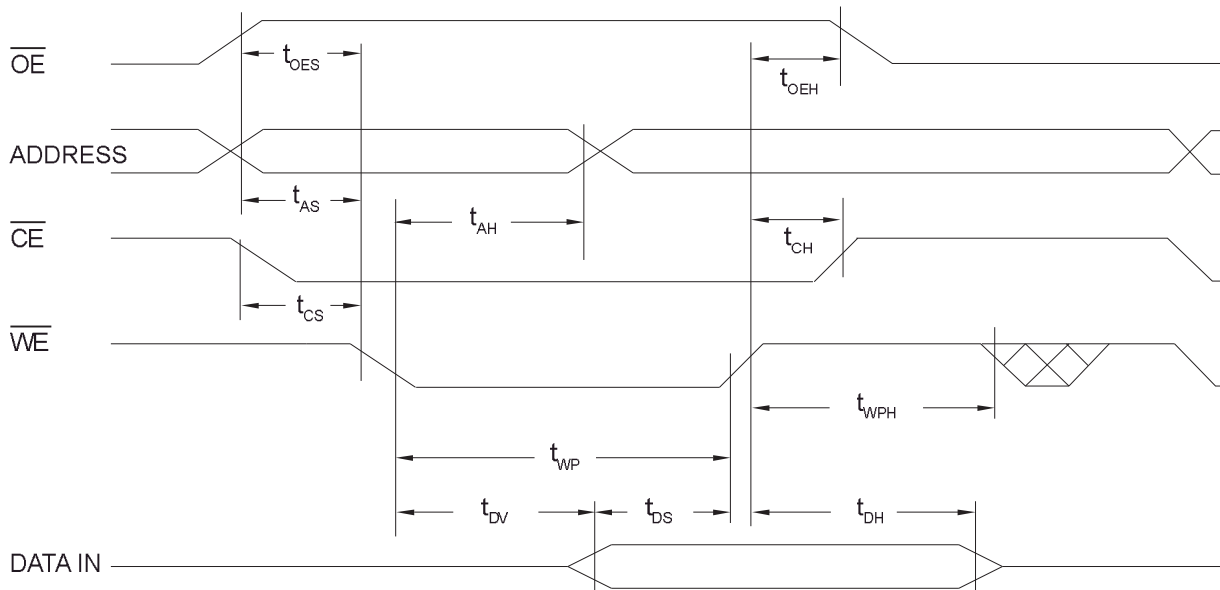
Parameter	Symbol	Minimum	Maximum	Units
Address, $\overline{OE}$ Setup Time	$t_{AS}, t_{OES}$	0	—	ns
Address Hold Time	$t_{AH}$	50	—	ns
Chip Select Setup Time	$t_{CS}$	0	—	ns
Chip Select Hold Time	$t_{CH}$	0	—	ns
Write Pulse Width ( $\overline{WE}$ or $\overline{CE}$ )	$t_{WP}$	100	—	ns
Data Setup Time	$t_{DS}$	50	—	ns
Data, $\overline{OE}$ Hold Time	$t_{DH}, t_{OEH}$	0	—	$\mu$ s
Time to Data Valid	$t_{DV}$	NR <sup>(1)</sup>	—	

**Note:**

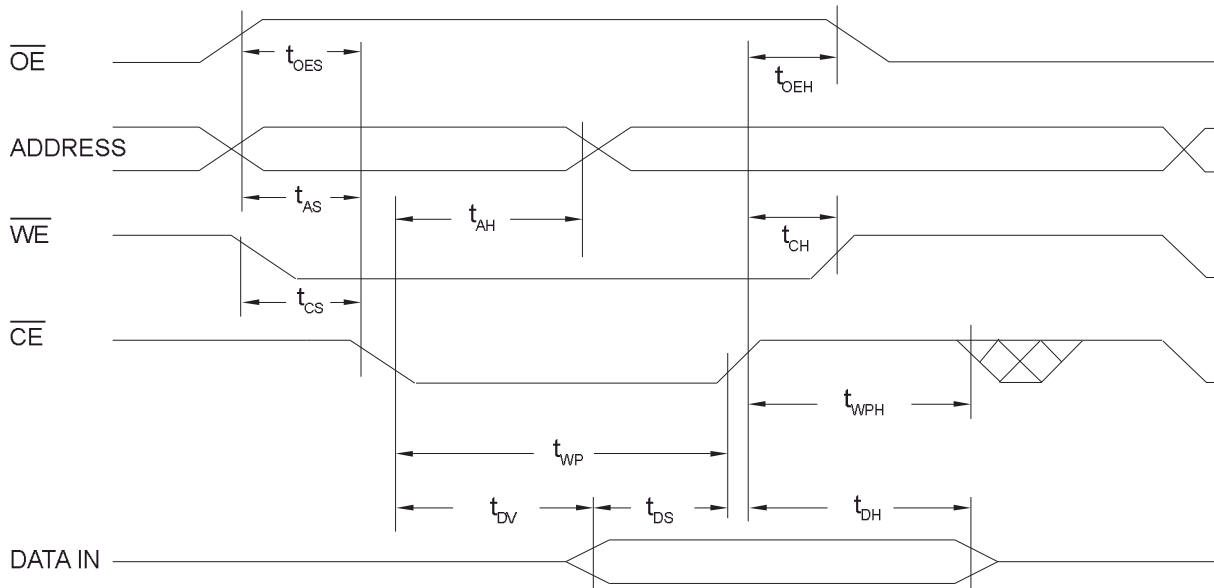
1. NR = No Restriction

## 6.7 AC Write Waveforms

### 6.7.1 $\overline{WE}$ Controlled



**6.7.2  $\overline{\text{CE}}$  Controlled**



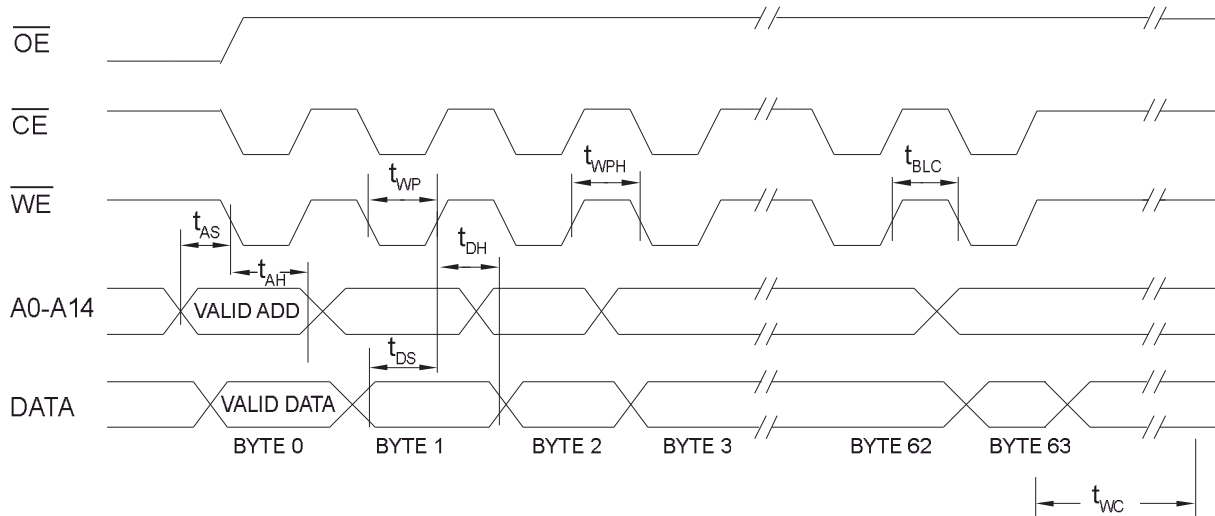
**6.8 Page Mode Characteristics**

Table 6-4. Page Mode Characteristics

Parameter		Symbol	Minimum	Maximum	Units
Write Cycle Time	AT28HC256	$t_{\text{WC}}$	—	10	ms
	AT28HC256F		—	3	ms
Address Setup Time		$t_{\text{AS}}$	0	—	ms
Address Hold Time		$t_{\text{AH}}$	50	—	ns
Data Setup Time		$t_{\text{DS}}$	50	—	ns
Data Hold Time		$t_{\text{DH}}$	0	—	ns
Write Pulse Width		$t_{\text{WP}}$	100	—	ns
Byte Load Cycle Time		$t_{\text{BLC}}$	—	150	$\mu\text{s}$
Write Pulse Width High		$t_{\text{WPH}}$	50	—	ns



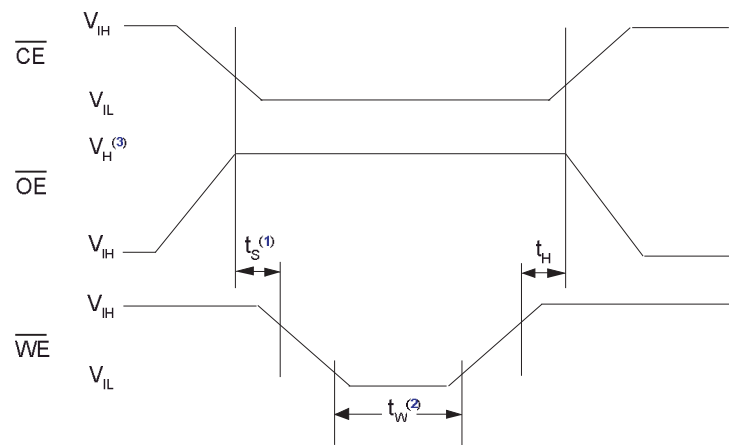
## 6.9 Page Mode Write Waveforms<sup>(1,2)</sup>



**Note:**

1. A6 through A14 must specify the page address during each high-to-low transition of  $\overline{WE}$  (or  $\overline{CE}$ ).
2.  $\overline{OE}$  must be high only when  $\overline{WE}$  and  $\overline{CE}$  are both low.

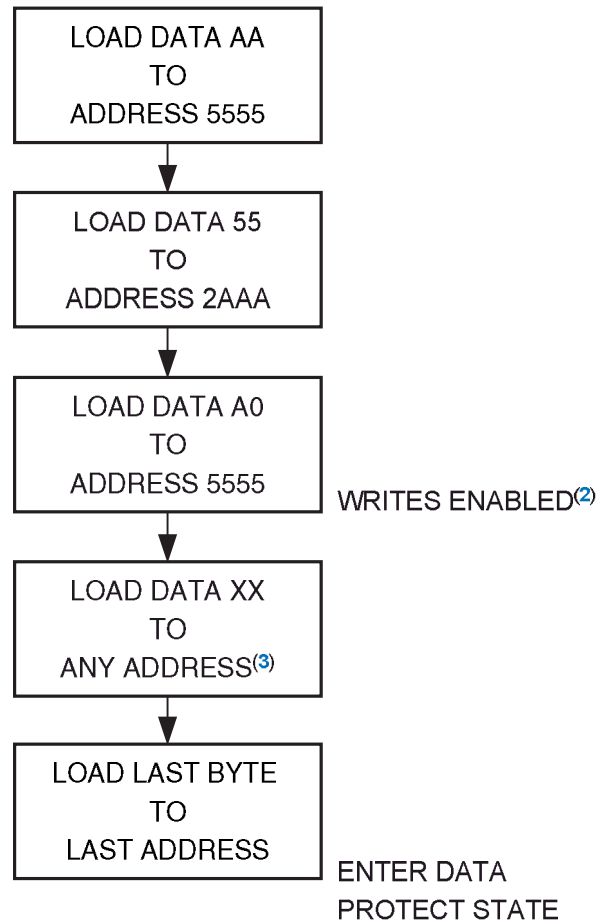
## 6.10 Chip Erase Waveforms



**Note:**

1.  $t_S = t_H = 5 \mu\text{sec}$  (minimum)
2.  $t_W = 10 \text{ msec}$  (minimum)
3.  $V_H = 12.0\text{V} \pm 0.5\text{V}$

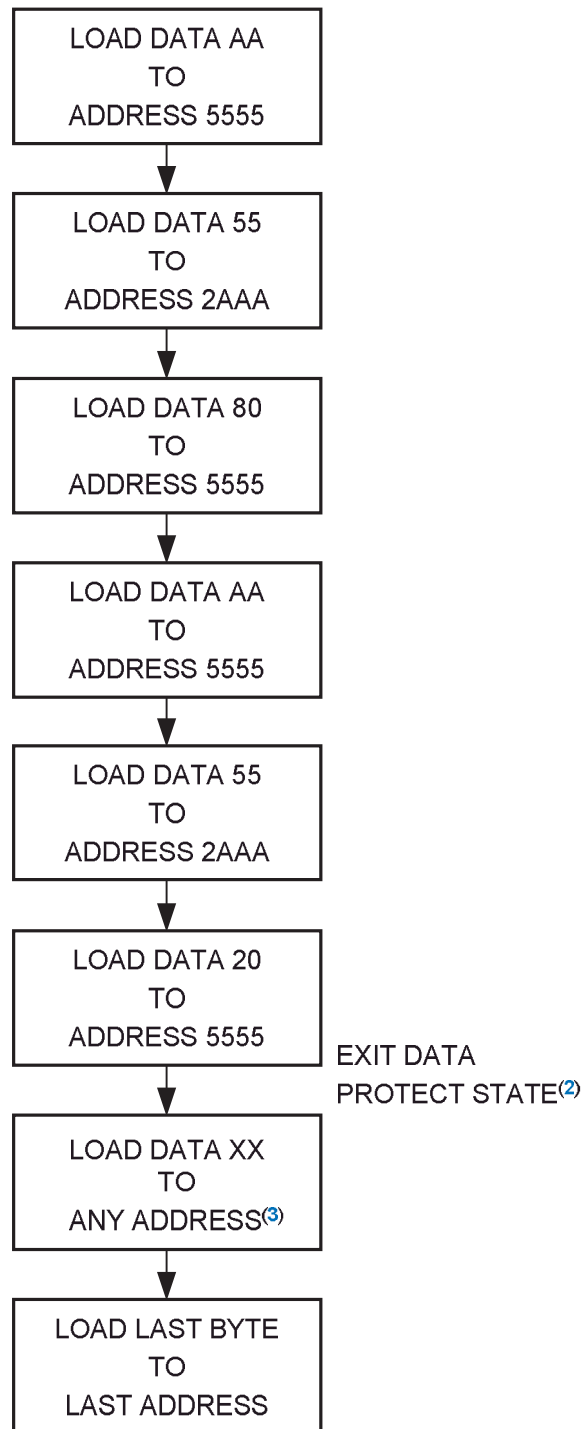
6.11 Software Data Protection Enable Algorithm<sup>(1)</sup>



**Note:**

1. Data format: I/O7-I/O0 (Hex); Address format: A14-A0 (Hex).
2. Write-Protect state will be activated at end of write even if no other data is loaded.
3. 1 to 64 bytes of data are loaded.

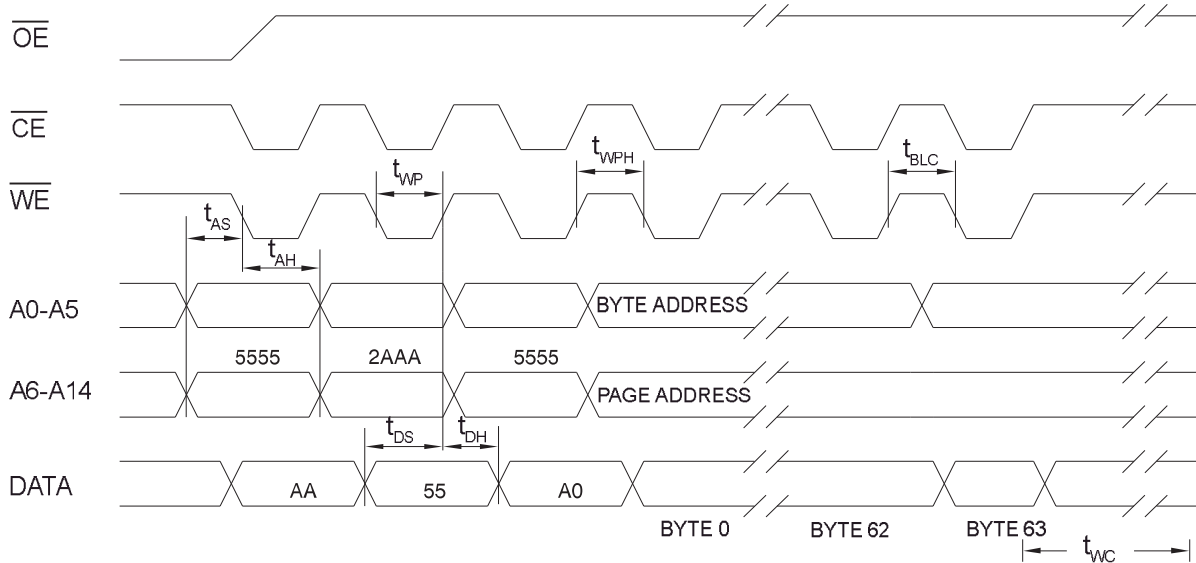
6.12 Software Data Protection Disable Algorithm<sup>(1)</sup>



Note:

1. Data format: I/O7-I/O0 (Hex); Address format: A14-A0 (Hex).
2. Write-Protect state will be deactivated at end of write period even if no other data is loaded.
3. 1 to 64 bytes of data are loaded.

### 6.13 Software Protected Program Cycle Waveform<sup>(1,2)</sup>



**Note:**

1. A6-A14 must specify the same page address during each high-to-low transition of  $\overline{WE}$  (or  $\overline{CE}$ ) after the software code has been entered.
2.  $\overline{OE}$  must be high only when  $\overline{WE}$  and  $\overline{CE}$  are both low.

### 6.14 Data Polling Characteristics<sup>(1)</sup>

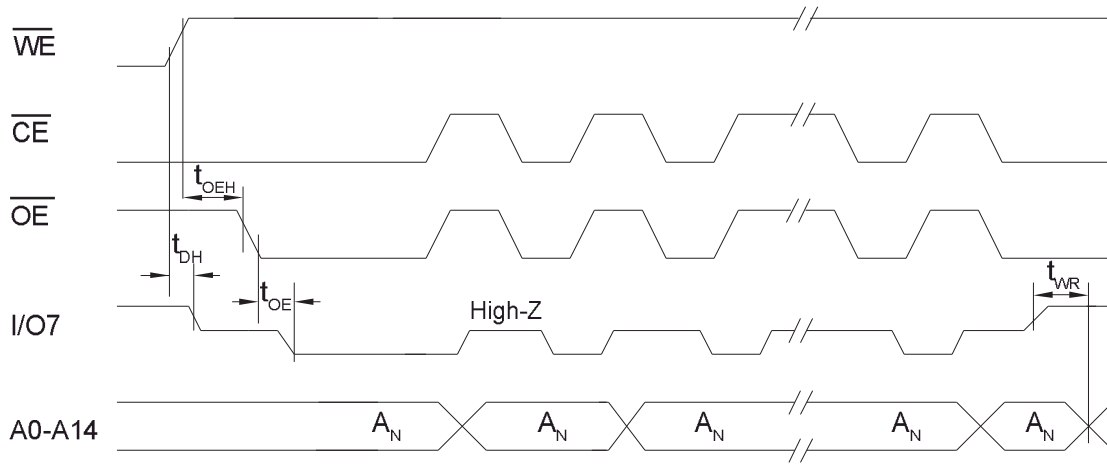
Table 6-5. Data Polling Characteristics

Parameter	Symbol	Minimum	Typical	Maximum	Units
Data Hold Time	$t_{DH}$	0	—	—	ns
$\overline{OE}$ Hold Time	$t_{OE}$	0	—	—	ns
$\overline{OE}$ to Output Delay <sup>(2)</sup>	$t_{OE}$	—	—	—	ns
Write Recovery Time	$t_{WR}$	0	—	—	ns

**Note:**

1. These parameters are characterized and not 100% tested.
2. See [AC Read Characteristics](#).

### 6.15 Data Polling Waveforms



### 6.16 Toggle Bit Characteristics<sup>(1)</sup>

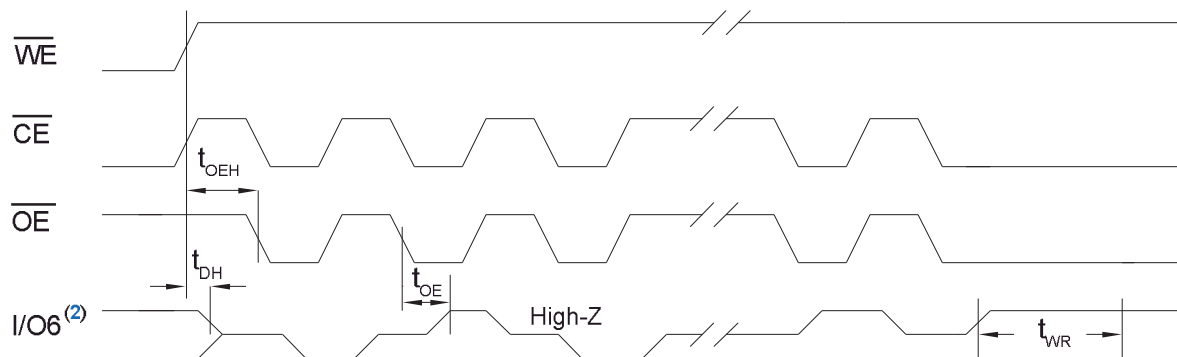
Table 6-6. Toggle Bit Characteristics

Parameter	Symbol	Minimum	Typical	Maximum	Units
Data Hold Time	$t_{DH}$	10	—	—	ns
$\overline{OE}$ Hold Time	$t_{OEH}$	10	—	—	ns
$\overline{OE}$ to Output Delay <sup>(2)</sup>	$t_{OE}$	—	—	—	ns
$\overline{OE}$ High Pulse <sup>(2)</sup>	$t_{OEHP}$	150	—	—	ns
Write Recovery Time	$t_{WR}$	0	—	—	ns

**Note:**

1. These parameters are characterized and not 100% tested.
2. See [AC Read Characteristics](#).

### 6.17 Toggle Bit Waveforms

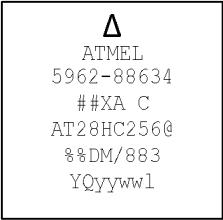
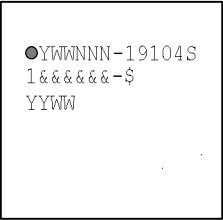
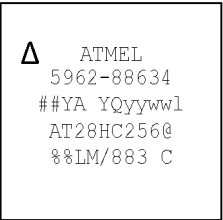
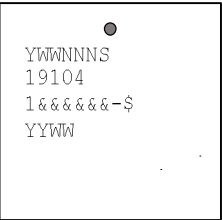
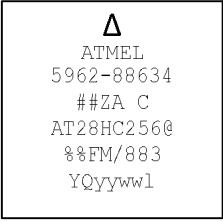
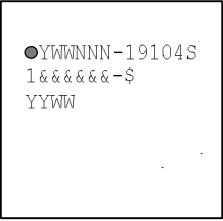
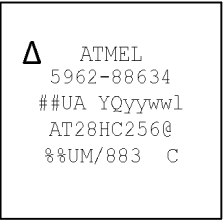
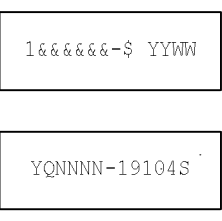


**Note:**

1. Toggling either  $\overline{OE}$  or  $\overline{CE}$  or both  $\overline{OE}$  and  $\overline{CE}$  will operate toggle bit.
2. Beginning and ending state of I/O6 will vary.
3. Any address location may be used but the address should not vary.

## 7. Packaging Information

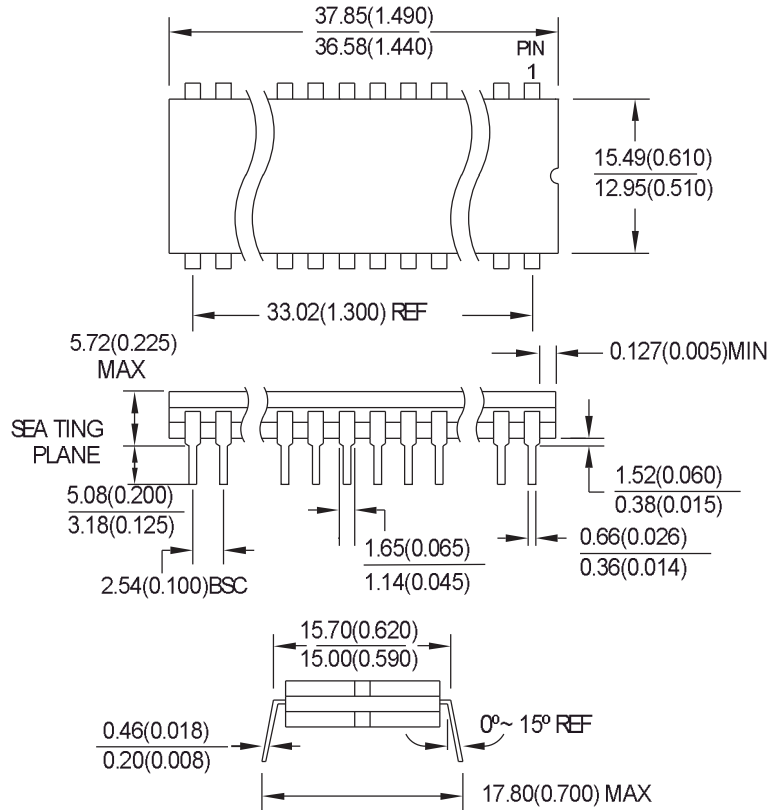
### 7.1 Package Marking Information

<b>AT28HC256: Package Marking Information (SMD devices)</b>			
<b>28-pin CERDIP</b>		<b>32-pad CLCC</b>	
Topside	Backside	Topside	Backside
 <p style="text-align: center;">                     Δ                      ATMEL                      5962-88634                      ##XA C                      AT28HC256@                      %%DM/883                      YQyyww1                 </p>	 <p style="text-align: center;">                     ●YVWNNN-19104S                      1&amp;&amp;&amp;&amp;&amp;&amp;-                      YYWW                 </p>	 <p style="text-align: center;">                     Δ ATMEL                      5962-88634                      ##YA YQyyww1                      AT28HC256@                      %%LM/883 C                 </p>	 <p style="text-align: center;">                     ●                      YVWNNNS                      19104                      1&amp;&amp;&amp;&amp;&amp;&amp;-                      YYWW                 </p>
<b>28-lead FLATPACK</b>		<b>30-pin PGA</b>	
Topside	Backside	Topside	Edges
 <p style="text-align: center;">                     Δ                      ATMEL                      5962-88634                      ##ZA C                      AT28HC256@                      %%FM/883                      YQyyww1                 </p>	 <p style="text-align: center;">                     ●YVWNNN-19104S                      1&amp;&amp;&amp;&amp;&amp;&amp;-                      YYWW                 </p>	 <p style="text-align: center;">                     Δ ATMEL                      5962-88634                      ##UA YQyyww1                      AT28HC256@                      %%UM/883 C                 </p>	 <p style="text-align: center;">                     1&amp;&amp;&amp;&amp;&amp;&amp;-                      YYWW                       YQNNNN-19104S                 </p>
<b>## = SMD Device</b> 03: 90ns, 10ms TWC 01: 120ns, 10ms TWC 04: 90ns, 3ms TWC 02: 120ns, 3ms TWC	<b>%% = Access Time</b> 90: 90 ns 12: 120 ns	<b>@ = Write Endurance Rating</b> Blank: Standard (10K at 10ms) E: Extended (100K at 10ms) F: Fast Write (10k at 3ms)	<b>\$ = Assembly Location</b> F: Philippines N: Thailand
<b>Country of Assembly</b>		<b>Lot Trace Code</b>	
&&&&&: Country of Assembly		YVWNNN: Lot Trace Code	
<b>Seal Year and Work Week</b>			
YYWW: Seal Year and Work Week			
<b>Year, Quarter, Seal Year, Seal Week and Group D Coverage (Military Date Code)</b>			
YQyywwl: Year, Quarter, Seal Year, Seal Week and Group D Coverage (Military Date Code)			

# AT28HC256

## Packaging Information

Dimensions in Millimeters and (Inches).  
 Controlling dimension: Inches.  
 MIL-STD 1835 D-10 Config A (Glass Sealed)



10/23/03

TITLE	DRAWING NO.	REV.
28D6, 28-lead, 0.600" Wide, Non-windowed, Ceramic Dual Inline Package (Cerdip)	28D6	B

**Note:**

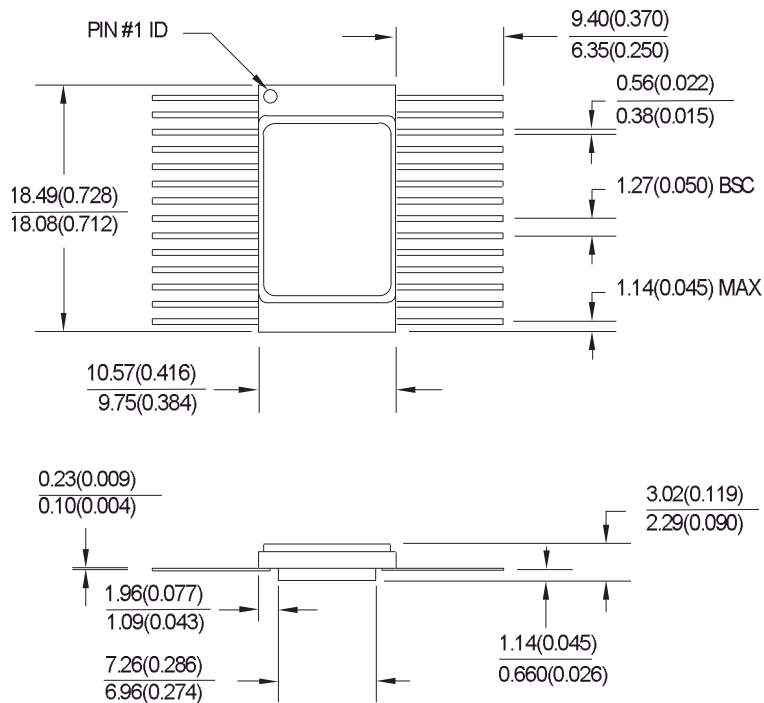
For the most current package drawings, please see the Microchip Packaging Specification located at <http://www.microchip.com/packaging>.



# AT28HC256

## Packaging Information

Dimensions in Millimeters and (Inches).  
 Controlling dimension: Inches.  
 MIL-STD 1835 F-12 Config B



10/21/03

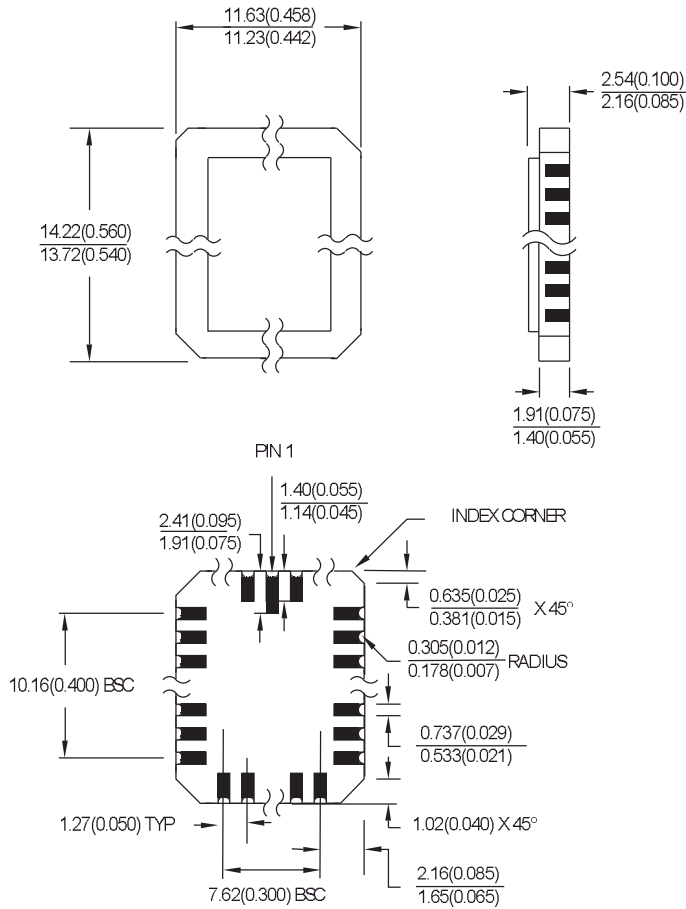
TITLE	DRAWING NO.	REV.
28F, 28-lead, Non-windowed, Ceramic Bottom-brazed Flat Package (Flat Pack)	28F	B

**Note:**  
 For the most current package drawings, please see the Microchip Packaging Specification located at <http://www.microchip.com/packaging>.

# AT28HC256

## Packaging Information

Dimensions in Millimeters and (Inches).  
Controlling dimension: Inches.  
MIL-STD 1835 C-12



10/21/03

TITLE	DRAWING NO.	REV
32L, 32-pad, Non-windowed, Ceramic Lid, Leadless Chip Carrier (LCC)	32L	B

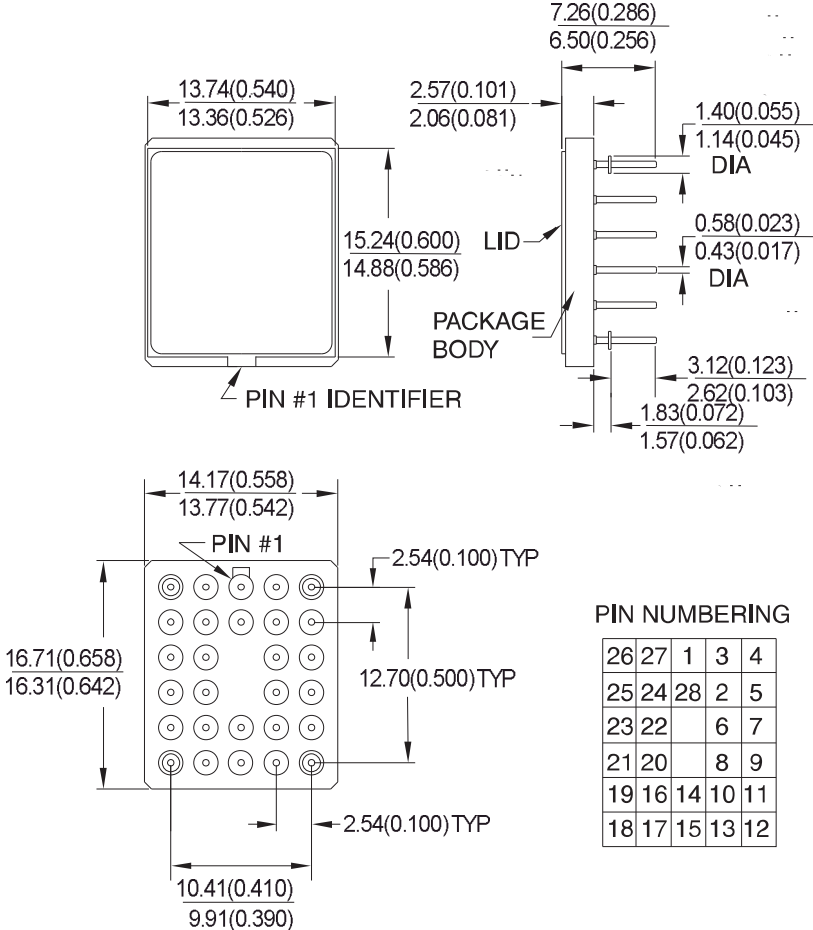
**Note:**

For the most current package drawings, please see the Microchip Packaging Specification located at <http://www.microchip.com/packaging>.

# AT28HC256

## Packaging Information

Dimensions in Millimeters and (Inches).  
Controlling dimension: Inches.



10/21/03

	<b>TITLE</b> <b>28U, 28-pin, Ceramic Pin Grid Array (PGA)</b>	<b>DRAWING NO.</b> 28U	<b>REV.</b> B
--	--	---------------------------	------------------

**Note:**  
For the most current package drawings, please see the Microchip Packaging Specification located at <http://www.microchip.com/packaging>.

## **8. Revision History**

### **Revision A (April 2020)**

Updated to the Microchip template. Microchip DS20006352 replaces Atmel document 0006. Added updated Part Markings to include new trace code format.

### **Atmel Document 0006 Revision M (December 2009)**

Updated AC Characteristics and ordering information.

## The Microchip Website

---

Microchip provides online support via our website at <http://www.microchip.com/>. This website is used to make files and information easily available to customers. Some of the content available includes:

- **Product Support** – Data sheets and errata, application notes and sample programs, design resources, user's guides and hardware support documents, latest software releases and archived software
- **General Technical Support** – Frequently Asked Questions (FAQs), technical support requests, online discussion groups, Microchip design partner program member listing
- **Business of Microchip** – Product selector and ordering guides, latest Microchip press releases, listing of seminars and events, listings of Microchip sales offices, distributors and factory representatives

## Product Change Notification Service

---

Microchip's product change notification service helps keep customers current on Microchip products. Subscribers will receive email notification whenever there are changes, updates, revisions or errata related to a specified product family or development tool of interest.

To register, go to <http://www.microchip.com/pcn> and follow the registration instructions.

## Customer Support

---

Users of Microchip products can receive assistance through several channels:

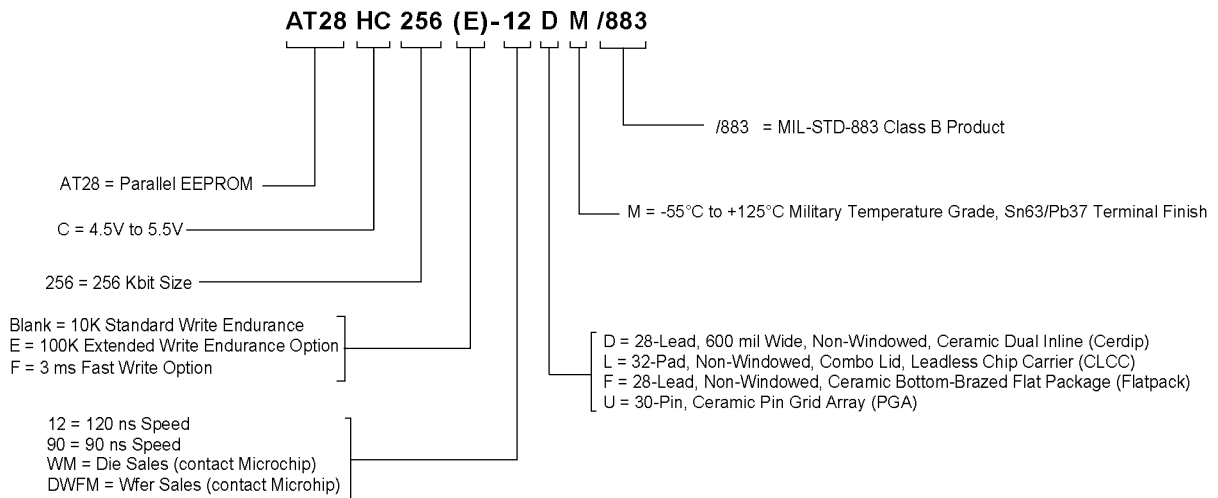
- Distributor or Representative
- Local Sales Office
- Embedded Solutions Engineer (ESE)
- Technical Support

Customers should contact their distributor, representative or ESE for support. Local sales offices are also available to help customers. A listing of sales offices and locations is included in this document.

Technical support is available through the website at: <http://www.microchip.com/support>

## Product Identification System

To order or obtain information, e.g., on pricing or delivery, refer to the factory or the listed sales office.



### Examples

**Table 12-1. AT28HC256 Ordering Information**

Ordering Code	Standard Military Drawing Number (SMD#)	Package Number	t <sub>ACC</sub> (ns)	Operating Range
AT28HC256-90DM/883	5962-88634 03 XA	28D6	90	Military/883C Class B, Fully Compliant (-55°C to 125°C)
AT28HC256-90FM/883	5962-88634 03 ZA	28F		
AT28HC256-90LM/883	5962-88634 03 YA	32L		
AT28HC256-90UM/883	5962-88634 03 UA	28U		
AT28HC256-12DM/883	5962-88634 01 XA	28D6	120	
AT28HC256-12FM/883	5962-88634 01 ZA	28F		
AT28HC256-12LM/883	5962-88634 01 YA	32L		
AT28HC256-12UM/883	5962-88634 01 UA	28U		

**Table 12-2. AT28HC256E Ordering Information (Not Dual Marked Packages)**

Ordering Code	Standard Military Drawing Number (SMD#)	Package Number	t <sub>ACC</sub> (ns)	Operating Range
AT28HC256E-90DM/883	N/A	28D6	90	Military/883C Class B, Fully Compliant (-55°C to 125°C)
AT28HC256E-90FM/883	N/A	28F		
AT28HC256E-90LM/883	N/A	32L		
AT28HC256E-90UM/883	N/A	28U		
AT28HC256E-12DM/883	N/A	28D6	120	
AT28HC256E-12FM/883	N/A	28F		
AT28HC256E-12LM/883	N/A	32L		
AT28HC256E-12UM/883	N/A	28U		

**Table 12-3. AT28HC256F Ordering Information**

Ordering Code	Standard Military Drawing Number (SMD#)	Package Number	t <sub>ACC</sub> (ns)	Operating Range
AT28HC256F-90DM/883	5962-88634 04 XA	28D6	90	Military/883C Class B, Fully Compliant (-55°C to 125°C)
AT28HC256F-90FM/883	5962-88634 04 ZA	28F		
AT28HC256F-90LM/883	5962-88634 04 YA	32L		
AT28HC256F-90UM/883	5962-88634 04 UA	28U		
AT28HC256F-12DM/883	5962-88634 02 XA	28D6	120	
AT28HC256F-12FM/883	5962-88634 02 ZA	28F		
AT28HC256F-12LM/883	5962-88634 02 YA	32L		
AT28HC256F-12UM/883	5962-88634 02 UA	28U		

### Package Types

28D6	28-Lead, 0.600" Wide, Non-Windowed, Ceramic Dual Inline (Cerdip)
28F	28-Lead, Non-Windowed, Ceramic Bottom-Brazed Flat Package (Flatpack)
32L	32-Pad, Non-Windowed, Ceramic Leadless Chip Carrier (LCC)
28U	28-Pin, Ceramic Pin Grid Array (PGA)
WM	Diced Die Military
DWFM	Die in Wafer Form Military

### Options

Blank	Standard Device: Endurance = 10K Write Cycles; Write Time 10 ms
E	High Endurance Option: Endurance = 100K Write Cycles
F	Fast Write Option: Write Time = 3 ms

## Microchip Devices Code Protection Feature

Note the following details of the code protection feature on Microchip devices:

- Microchip products meet the specification contained in their particular Microchip Data Sheet.
- Microchip believes that its family of products is one of the most secure families of its kind on the market today, when used in the intended manner and under normal conditions.
- There are dishonest and possibly illegal methods used to breach the code protection feature. All of these methods, to our knowledge, require using the Microchip products in a manner outside the operating specifications contained in Microchip's Data Sheets. Most likely, the person doing so is engaged in theft of intellectual property.
- Microchip is willing to work with the customer who is concerned about the integrity of their code.
- Neither Microchip nor any other semiconductor manufacturer can guarantee the security of their code. Code protection does not mean that we are guaranteeing the product as "unbreakable."

Code protection is constantly evolving. We at Microchip are committed to continuously improving the code protection features of our products. Attempts to break Microchip's code protection feature may be a violation of the Digital Millennium Copyright Act. If such acts allow unauthorized access to your software or other copyrighted work, you may have a right to sue for relief under that Act.

---

## Legal Notice

---

Information contained in this publication regarding device applications and the like is provided only for your convenience and may be superseded by updates. It is your responsibility to ensure that your application meets with your specifications. MICROCHIP MAKES NO REPRESENTATIONS OR WARRANTIES OF ANY KIND WHETHER EXPRESS OR IMPLIED, WRITTEN OR ORAL, STATUTORY OR OTHERWISE, RELATED TO THE INFORMATION, INCLUDING BUT NOT LIMITED TO ITS CONDITION, QUALITY, PERFORMANCE, MERCHANTABILITY OR FITNESS FOR PURPOSE. Microchip disclaims all liability arising from this information and its use. Use of Microchip devices in life support and/or safety applications is entirely at the buyer's risk, and the buyer agrees to defend, indemnify and hold harmless Microchip from any and all damages, claims, suits, or expenses resulting from such use. No licenses are conveyed, implicitly or otherwise, under any Microchip intellectual property rights unless otherwise stated.

---

## Trademarks

---

The Microchip name and logo, the Microchip logo, Adaptec, AnyRate, AVR, AVR logo, AVR Freaks, BesTime, BitCloud, chipKIT, chipKIT logo, CryptoMemory, CryptoRF, dsPIC, FlashFlex, flexPWR, HELDO, IGLOO, JukeBlox, KeeLoq, Klear, LANCheck, LinkMD, maXStylus, maXTouch, MediaLB, megaAVR, Microsemi, Microsemi logo, MOST, MOST logo, MPLAB, OptoLyzer, PackeTime, PIC, picoPower, PICSTART, PIC32 logo, PolarFire, Prochip Designer, QTouch, SAM-BA, SenGenuity, SpyNIC, SST, SST Logo, SuperFlash, Symmetricom, SyncServer, Tachyon, TempTrackr, TimeSource, tinyAVR, UNI/O, Vectron, and XMEGA are registered trademarks of Microchip Technology Incorporated in the U.S.A. and other countries.

APT, ClockWorks, The Embedded Control Solutions Company, EtherSynch, FlashTec, Hyper Speed Control, HyperLight Load, IntelliMOS, Libero, motorBench, mTouch, Powermite 3, Precision Edge, ProASIC, ProASIC Plus, ProASIC Plus logo, Quiet-Wire, SmartFusion, SyncWorld, Temux, TimeCesium, TimeHub, TimePictra, TimeProvider, Vite, WinPath, and ZL are registered trademarks of Microchip Technology Incorporated in the U.S.A.

Adjacent Key Suppression, AKS, Analog-for-the-Digital Age, Any Capacitor, AnyIn, AnyOut, BlueSky, BodyCom, CodeGuard, CryptoAuthentication, CryptoAutomotive, CryptoCompanion, CryptoController, dsPICDEM, dsPICDEM.net, Dynamic Average Matching, DAM, ECAN, EtherGREEN, In-Circuit Serial Programming, ICSP, INICnet, Inter-Chip Connectivity, JitterBlocker, KlearNet, KlearNet logo, memBrain, Mindi, MiWi, MPASM, MPF, MPLAB Certified logo, MPLIB, MPLINK, MultiTRAK, NetDetach, Omniscient Code Generation, PICDEM, PICDEM.net, PICkit, PICTail, PowerSmart, PureSilicon, QMatrix, REAL ICE, Ripple Blocker, SAM-ICE, Serial Quad I/O, SMART-I.S., SQI, SuperSwitcher, SuperSwitcher II, Total Endurance, TSHARC, USBCheck, VariSense, ViewSpan, WiperLock, Wireless DNA, and ZENA are trademarks of Microchip Technology Incorporated in the U.S.A. and other countries.

SQTP is a service mark of Microchip Technology Incorporated in the U.S.A.

The Adaptec logo, Frequency on Demand, Silicon Storage Technology, and Symmcom are registered trademarks of Microchip Technology Inc. in other countries.



GestIC is a registered trademark of Microchip Technology Germany II GmbH & Co. KG, a subsidiary of Microchip Technology Inc., in other countries.

All other trademarks mentioned herein are property of their respective companies.

© 2020, Microchip Technology Incorporated, Printed in the U.S.A., All Rights Reserved.

ISBN: 978-1-5224-6095-4

AMBA, Arm, Arm7, Arm7TDMI, Arm9, Arm11, Artisan, big.LITTLE, Cordio, CoreLink, CoreSight, Cortex, DesignStart, DynamiQ, Jazelle, Keil, Mali, Mbed, Mbed Enabled, NEON, POP, RealView, SecurCore, Socrates, Thumb, TrustZone, ULINK, ULINK2, ULINK-ME, ULINK-PLUS, ULINKpro,  $\mu$ Vision, Versatile are trademarks or registered trademarks of Arm Limited (or its subsidiaries) in the US and/or elsewhere.

## Quality Management System

---

For information regarding Microchip's Quality Management Systems, please visit <http://www.microchip.com/quality>.

## Worldwide Sales and Service

AMERICAS	ASIA/PACIFIC	ASIA/PACIFIC	EUROPE
<b>Corporate Office</b> 2355 West Chandler Blvd. Chandler, AZ 85224-6199 Tel: 480-792-7200 Fax: 480-792-7277 Technical Support: <a href="http://www.microchip.com/support">http://www.microchip.com/support</a> Web Address: <a href="http://www.microchip.com">http://www.microchip.com</a>	<b>Australia - Sydney</b> Tel: 61-2-9868-6733 <b>China - Beijing</b> Tel: 86-10-8569-7000 <b>China - Chengdu</b> Tel: 86-28-8665-5511 <b>China - Chongqing</b> Tel: 86-23-8980-9588 <b>China - Dongguan</b> Tel: 86-769-8702-9880 <b>China - Guangzhou</b> Tel: 86-20-8755-8029 <b>China - Hangzhou</b> Tel: 86-571-8792-8115 <b>China - Hong Kong SAR</b> Tel: 852-2943-5100 <b>China - Nanjing</b> Tel: 86-25-8473-2460 <b>China - Qingdao</b> Tel: 86-532-8502-7355 <b>China - Shanghai</b> Tel: 86-21-3326-8000 <b>China - Shenyang</b> Tel: 86-24-2334-2829 <b>China - Shenzhen</b> Tel: 86-755-8864-2200 <b>China - Suzhou</b> Tel: 86-186-6233-1526 <b>China - Wuhan</b> Tel: 86-27-5980-5300 <b>China - Xian</b> Tel: 86-29-8833-7252 <b>China - Xiamen</b> Tel: 86-592-2388138 <b>China - Zhuhai</b> Tel: 86-756-3210040	<b>India - Bangalore</b> Tel: 91-80-3090-4444 <b>India - New Delhi</b> Tel: 91-11-4160-8631 <b>India - Pune</b> Tel: 91-20-4121-0141 <b>Japan - Osaka</b> Tel: 81-6-6152-7160 <b>Japan - Tokyo</b> Tel: 81-3-6880-3770 <b>Korea - Daegu</b> Tel: 82-53-744-4301 <b>Korea - Seoul</b> Tel: 82-2-554-7200 <b>Malaysia - Kuala Lumpur</b> Tel: 60-3-7651-7906 <b>Malaysia - Penang</b> Tel: 60-4-227-8870 <b>Philippines - Manila</b> Tel: 63-2-634-9065 <b>Singapore</b> Tel: 65-6334-8870 <b>Taiwan - Hsin Chu</b> Tel: 886-3-577-8366 <b>Taiwan - Kaohsiung</b> Tel: 886-7-213-7830 <b>Taiwan - Taipei</b> Tel: 886-2-2508-8600 <b>Thailand - Bangkok</b> Tel: 66-2-694-1351 <b>Vietnam - Ho Chi Minh</b> Tel: 84-28-5448-2100	<b>Austria - Wels</b> Tel: 43-7242-2244-39 Fax: 43-7242-2244-393 <b>Denmark - Copenhagen</b> Tel: 45-4485-5910 Fax: 45-4485-2829 <b>Finland - Espoo</b> Tel: 358-9-4520-820 <b>France - Paris</b> Tel: 33-1-69-53-63-20 Fax: 33-1-69-30-90-79 <b>Germany - Garching</b> Tel: 49-8931-9700 <b>Germany - Haan</b> Tel: 49-2129-3766400 <b>Germany - Heilbronn</b> Tel: 49-7131-72400 <b>Germany - Karlsruhe</b> Tel: 49-721-625370 <b>Germany - Munich</b> Tel: 49-89-627-144-0 Fax: 49-89-627-144-44 <b>Germany - Rosenheim</b> Tel: 49-8031-354-560 <b>Israel - Ra'anana</b> Tel: 972-9-744-7705 <b>Italy - Milan</b> Tel: 39-0331-742611 Fax: 39-0331-466781 <b>Italy - Padova</b> Tel: 39-049-7625286 <b>Netherlands - Drunen</b> Tel: 31-416-690399 Fax: 31-416-690340 <b>Norway - Trondheim</b> Tel: 47-72884388 <b>Poland - Warsaw</b> Tel: 48-22-3325737 <b>Romania - Bucharest</b> Tel: 40-21-407-87-50 <b>Spain - Madrid</b> Tel: 34-91-708-08-90 Fax: 34-91-708-08-91 <b>Sweden - Gothenberg</b> Tel: 46-31-704-60-40 <b>Sweden - Stockholm</b> Tel: 46-8-5090-4654 <b>UK - Wokingham</b> Tel: 44-118-921-5800 Fax: 44-118-921-5820
<b>Atlanta</b> Duluth, GA Tel: 678-957-9614 Fax: 678-957-1455 <b>Austin, TX</b> Tel: 512-257-3370 <b>Boston</b> Westborough, MA Tel: 774-760-0087 Fax: 774-760-0088 <b>Chicago</b> Itasca, IL Tel: 630-285-0071 Fax: 630-285-0075 <b>Dallas</b> Addison, TX Tel: 972-818-7423 Fax: 972-818-2924 <b>Detroit</b> Novi, MI Tel: 248-848-4000 <b>Houston, TX</b> Tel: 281-894-5983 <b>Indianapolis</b> Noblesville, IN Tel: 317-773-8323 Fax: 317-773-5453 Tel: 317-536-2380 <b>Los Angeles</b> Mission Viejo, CA Tel: 949-462-9523 Fax: 949-462-9608 Tel: 951-273-7800 <b>Raleigh, NC</b> Tel: 919-844-7510 <b>New York, NY</b> Tel: 631-435-6000 <b>San Jose, CA</b> Tel: 408-735-9110 Tel: 408-436-4270 <b>Canada - Toronto</b> Tel: 905-695-1980 Fax: 905-695-2078			