



Product Change Notification

Current Date: 03-Apr-2020

TE Connectivity

Product Change Notification: E-20-003530

PCN Date: 18-MAR-20

Customer: Future Electronics(0000080100)

Location: WORLDWIDE

Agreement: Agreement Unknown

TE would like to inform you of the following change(s) to the listed TE Connectivity Product. In case of any further questions about this change(s), please contact your TE Connectivity Sales Engineer. Affected part, drawing and/or specification numbers are listed on the attached sheet(s).

General Product Description:

AMPSEAL Sealed Connector System - Header Assembly

Description of Changes

The Industrial and Commercial Transportation business unit of TE Connectivity is making a change to the AMPSEAL Header Assembly Customer Drawing notes and dimensions for the part number(s) listed below. These PNs are TE proprietary designs, therefore considered catalog/general market product. The change does not affect Form Fit or Function of the AMPSEAL Headers. This change is for notification purposes only and no PPAP is planned or required.

Other attachments:

[Modified header customer dwg](#)

Reason for Changes:

Customer Request. Dear Customer, we hereby inform you of this change. The change is necessary to clarify the information on mounting screw used on the AMPSEAL Header, to modify the mounting hole location dimensions from reference dimension to a tolerance dimension and the suggested mounting hole dimensions will be expanded to aid in the assembly of the header. The change does not impact performance. IMPORTANT: The current and previous revisions of these parts can be used interchangeably in the field.

Estimated Dates:

Last Order Date (Obsolete Parts Only):

First Date To Ship (Changed Parts Only):

Last Ship Date (Obsolete Parts Only):

Last Date for Mixed Shipments: (Changed Parts Only):

No Mixed Shipments

The documents listed below are being modified. Related parts that are not explicitly listed on this PCN are not being modified or discontinued as per the PCN. The Last Order Date, Last Ship Date, First Date to Ship Changed Parts and last date for Mixed Shipments apply only to parts explicitly listed on this PCN.

Note: This PCN contains only document changes, these changes do not affect the form, fit or function of the parts referenced.

Customer Drawing(s) Being Modified:

Drawing Number	Related Part Number	Customer Part Number	Current Revision	New Revision
770669	770669-1, 770669-2		K12	
776087	1-776087-1, 776087-1		E12	
776163	776163-1, 1-776163-1	1-776163-1-LF	J9	
776200	1-776200-1, 776200-1		D14	
776228	1-776228-1, 776228-2, 776228-1	776228-1-LF	C14	
776231	776231-1, 776231-2, 1-776231-1, 776231-5	1-776231-1-LF	A14	
776262	1-776262-1		A9	
776267	1-776267-1, 776267-1		B8	
776276	776276-1, 1-776276-1		B10	
776280	776280-1, 1-776280-1		F9	

Customer: Future Electronics Ltd (1273129)

Location: Egham

Agreement Number: Agreement Unknown

The documents listed below are being modified. Related parts that are not explicitly listed on this PCN are not being modified or discontinued as per the PCN. The Last Order Date, Last Ship Date, First Date to Ship Changed Parts and last date for Mixed Shipments apply only to parts explicitly listed on this PCN.

Customer Drawing(s) Being Modified:

Drawing Number	Related Part Number	Customer Part Number	Current Revision	New Revision
776087	1-776087-1		E12	
776163	1-776163-1	1-776163-1-LF	J9	
776200	1-776200-1		D14	
776228	776228-1	776228-1-LF	C14	
776231	1-776231-1	1-776231-1-LF	A14	
776262	1-776262-1		A9	
776276	1-776276-1		B10	
776280	1-776280-1		F9	

Customer: Future Electronics Inc (2912430)

Location: Independence

Agreement Number: Agreement Unknown

The documents listed below are being modified. Related parts that are not explicitly listed on this PCN are not being modified or discontinued as per the PCN. The Last Order Date, Last Ship Date, First Date to Ship Changed Parts and last date for Mixed Shipments apply only to parts explicitly listed on this PCN.

Customer Drawing(s) Being Modified:

Drawing Number	Related Part Number	Customer Part Number	Current Revision	New Revision
776228	776228-2		C14	

Customer: Future Electronics Inc (2912445)

Location: Milpitas

Agreement Number: Agreement Unknown

The documents listed below are being modified. Related parts that are not explicitly listed on this PCN are not being modified or discontinued as per the PCN. The Last Order Date, Last Ship Date, First Date to Ship Changed Parts and last date for Mixed Shipments apply only to parts explicitly listed on this PCN.

Customer Drawing(s) Being Modified:

Drawing Number	Related Part Number	Customer Part Number	Current Revision	New Revision
776231	776231-5		A14	
776267	1-776267-1		B8	
776280	1-776280-1		F9	

Customer: Future Electronics Asia Pacific (2923061)

Location: Singapore

Agreement Number: Agreement Unknown

The documents listed below are being modified. Related parts that are not explicitly listed on this PCN are not being modified or discontinued as per the PCN. The Last Order Date, Last Ship Date, First Date to Ship Changed Parts and last date for Mixed Shipments apply only to parts explicitly listed on this PCN.

Customer Drawing(s) Being Modified:

Drawing Number	Related Part Number	Customer Part Number	Current Revision	New Revision
770669	770669-1		K12	
776087	776087-1		E12	
776200	776200-1		D14	
776228	1-776228-1		C14	
776231	1-776231-1		A14	
776262	1-776262-1		A9	
776276	776276-1		B10	

Customer: Future Electronics Inc. (1319888)

Location: Singapore

Agreement Number: Agreement Unknown

The documents listed below are being modified. Related parts that are not explicitly listed on this PCN are not being modified or discontinued as per the PCN. The Last Order Date, Last Ship Date, First Date to Ship Changed Parts and last date for Mixed Shipments apply only to parts explicitly listed on this PCN.

Customer Drawing(s) Being Modified:

Drawing Number	Related Part Number	Customer Part Number	Current Revision	New Revision
770669	770669-2		K12	
776087	776087-1		E12	
776163	776163-1, 1-776163-1		J9	
776200	776200-1		D14	
776228	1-776228-1		C14	
776231	776231-1		A14	
776262	1-776262-1		A9	
776267	776267-1		B8	
776276	1-776276-1		B10	
776280	776280-1		F9	

Customer: Future Electronics Inc (1319836)

Location: Singapore

Agreement Number: Agreement Unknown

The documents listed below are being modified. Related parts that are not explicitly listed on this PCN are not being modified or discontinued as per the PCN. The Last Order Date, Last Ship Date, First Date to Ship Changed Parts and last date for Mixed Shipments apply only to parts explicitly listed on this PCN.

Customer Drawing(s) Being Modified:

Drawing Number	Related Part Number	Customer Part Number	Current Revision	New Revision

Drawing Number	Related Part Number	Customer Part Number	Current Revision	New Revision
770669	770669-2		K12	

Customer: Future Electronics Inc. (1319888)

Location: Singapore

Agreement Number: Agreement Unknown

The documents listed below are being modified. Related parts that are not explicitly listed on this PCN are not being modified or discontinued as per the PCN. The Last Order Date, Last Ship Date, First Date to Ship Changed Parts and last date for Mixed Shipments apply only to parts explicitly listed on this PCN.

Customer Drawing(s) Being Modified:

Drawing Number	Related Part Number	Customer Part Number	Current Revision	New Revision
770669	770669-2		K12	
776087	776087-1		E12	
776163	776163-1, 1-776163-1		J9	
776200	776200-1		D14	
776228	1-776228-1		C14	
776231	776231-1		A14	
776262	1-776262-1		A9	
776267	776267-1		B8	
776276	1-776276-1		B10	
776280	776280-1		F9	

Customer: Future Electronics Inc (1290208)

Location: Southaven

Agreement Number: FUTAGR001

The documents listed below are being modified. Related parts that are not explicitly listed on this PCN are not being modified or discontinued as per the PCN. The Last Order Date, Last Ship Date, First Date to Ship Changed Parts and last date for Mixed Shipments apply only to parts explicitly listed on this PCN.

Customer Drawing(s) Being Modified:

Drawing Number	Related Part Number	Customer Part Number	Current Revision	New Revision
770669	770669-1		K12	
776087	1-776087-1		E12	
776163	1-776163-1		J9	
776200	776200-1		D14	
776228	1-776228-1		C14	
776231	1-776231-1		A14	
776262	1-776262-1		A9	
776267	1-776267-1		B8	
776276	1-776276-1		B10	

Customer: Future Electronics UK (2833922)

Location: Hayes

Agreement Number: Agreement Unknown

The documents listed below are being modified. Related parts that are not explicitly listed on this PCN are not being modified or discontinued as per the PCN. The Last Order Date, Last Ship Date, First Date to Ship Changed Parts and last date for Mixed Shipments apply only to parts explicitly listed on this PCN.

Customer Drawing(s) Being Modified:

Drawing Number	Related Part Number	Customer Part Number	Current Revision	New Revision
776087	776087-1		E12	
776163	1-776163-1		J9	
776228	1-776228-1		C14	
776262	1-776262-1		A9	
776267	1-776267-1		B8	
776276	776276-1		B10	

Customer: Future Electronics EDC Services (2944409)

Location: Leipzig

Agreement Number: Agreement Unknown

The documents listed below are being modified. Related parts that are not explicitly listed on this PCN are not being modified or discontinued as per the PCN. The Last Order Date, Last Ship Date, First Date to Ship Changed Parts and last date for Mixed Shipments apply only to parts explicitly listed on this PCN.

Customer Drawing(s) Being Modified:

Drawing Number	Related Part Number	Customer Part Number	Current Revision	New Revision
776087	776087-1		E12	
776163	1-776163-1		J9	
776228	776228-1		C14	
776231	1-776231-1		A14	

Drawing Number	Related Part Number	Customer Part Number	Current Revision	New Revision
776262	1-776262-1		A9	
776276	1-776276-1		B10	
776280	776280-1		F9	

Customer: Future Electronics Inc (184927)

Location: Pointe Claire

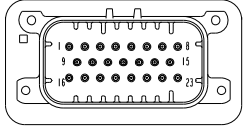
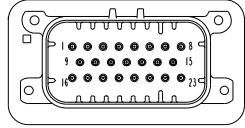
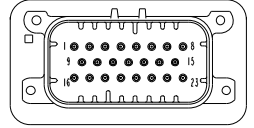
Agreement Number: Agreement Unknown

The documents listed below are being modified. Related parts that are not explicitly listed on this PCN are not being modified or discontinued as per the PCN. The Last Order Date, Last Ship Date, First Date to Ship Changed Parts and last date for Mixed Shipments apply only to parts explicitly listed on this PCN.

Customer Drawing(s) Being Modified:

Drawing Number	Related Part Number	Customer Part Number	Current Revision	New Revision
776231	776231-2		A14	
776262	1-776262-1		A9	
776267	776267-1		B8	

REVOLUTIONS		DATE	BY	CHK'D
1	REVISED PER ECO-19-008419	24/06/19	DS	DS

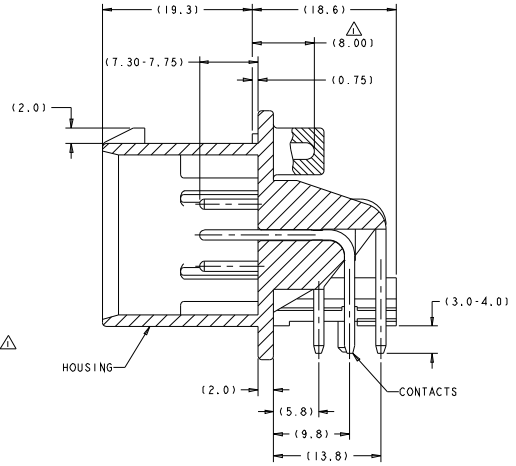
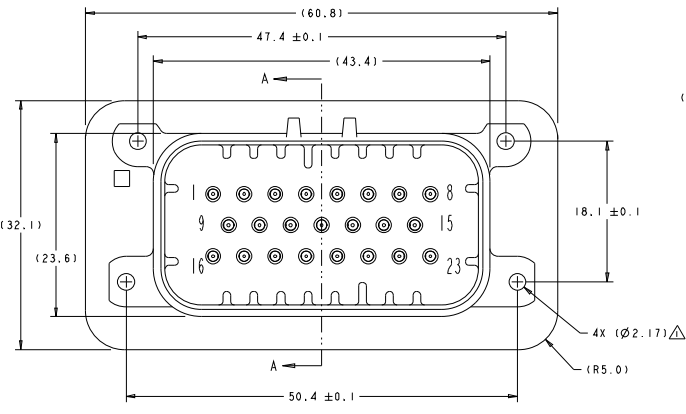


770669-2 & 1-770669-2
KEY LOCATION
SCALE: 2:1

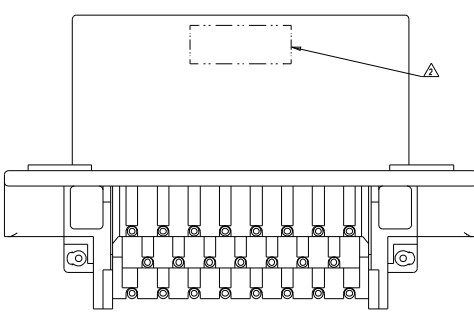
770669-4 & 1-770669-4
KEY LOCATION
SCALE: 2:1

770669-5 & 1-770669-5
KEY LOCATION
SCALE: 2:1

- △ SUGGESTED MOUNTING SCREW SIZE IS $\varnothing 2.50-3.00$ mm ($\varnothing 0.099 - 0.118$ INCH) SELF TAPPING THREAD FORMING SCREW, SUCH AS DELTA PT., TO BE DRIVEN AT 0.6-0.8 N·m. THE CUSTOMER SHOULD TEST THE SCREW SIZE AND TYPE IN ORDER TO VERIFY THEIR SELECTION FOR THEIR APPLICATION.
 - △ DATE CODE TO BE BRANDED IN THIS LOCATION PER TE SPEC 102-60. USE 5 DIGIT CODE: FIRST 2 DIGITS = YEAR, SECOND 2 DIGITS = WEEK, LAST DIGIT = DAY.
 - △ HOUSING COLORS ARE MECHANICALLY KEYS TO MATE ONLY WITH IDENTICALLY COLORED PLUG ASSEMBLIES.
 - △ MATERIALS: HEADER HOUSING - GLASS FILLED PBT
PINS: TIN OR GOLD PLATED BRASS.
5. HEADER MATES TO PLUG ASSEMBLY 770680 WHICH USES REELED TERMINALS 770520 OR LOOSE PIECE TERMINALS 770854.



SECTION A-A



770669-1 & 1-770669-1
KEY LOCATION AS SHOWN

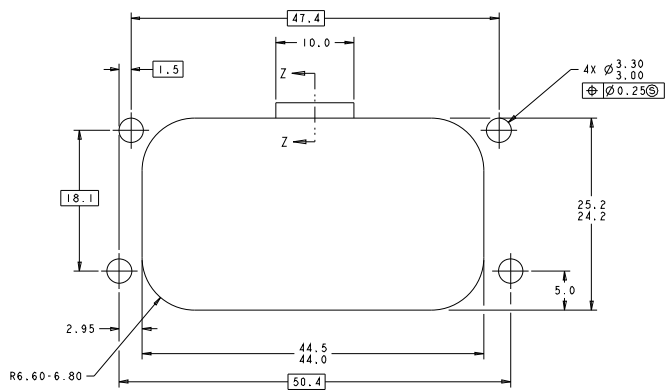
PLAYING	HEADER COLOR/△	PART NUMBER
GOLD	BLUE	1-770669-5
GOLD	GRAY	1-770669-4
GOLD	NATURAL	1-770669-2
GOLD	BLACK	1-770669-1
TIN	BLUE	770669-5
TIN	GRAY	770669-4
TIN	NATURAL	770669-2
TIN	BLACK	770669-1

THIS DRAWING IS A CONTROLLED DOCUMENT. IN THE ORIGINAL FILE: 210C2002	REV. NO. 1	ECO CODE 210C2002	DATE 10/06/2019
DESCRIPTION: mm	PART NUMBER: 770669-1	REV. NO. 1	ECO CODE 210C2002
DATE: 10/06/2019	REVISED BY: DS	REV. NO. 1	ECO CODE 210C2002
WEIGHT: 28.74g	REVISED BY: DS	REV. NO. 1	ECO CODE 210C2002
INTERNAL: CUSTOMER DRAWING	REVISED BY: DS	REV. NO. 1	ECO CODE 210C2002

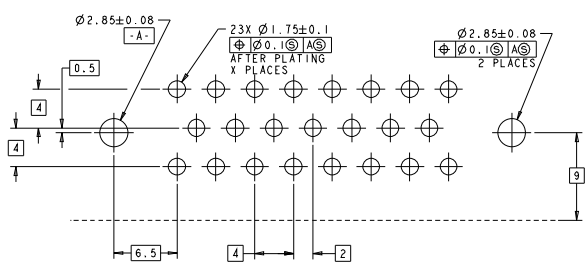
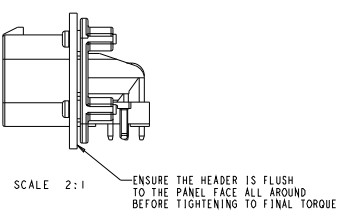
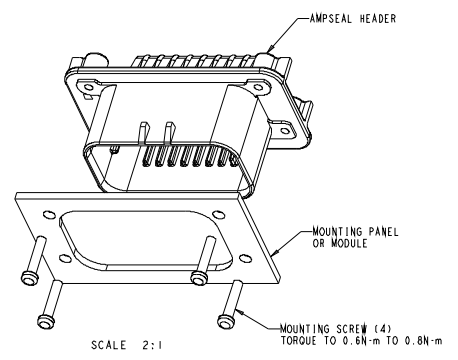
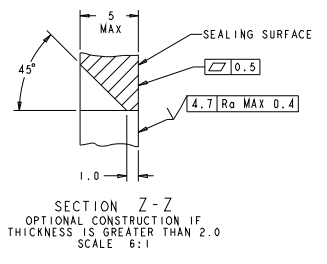
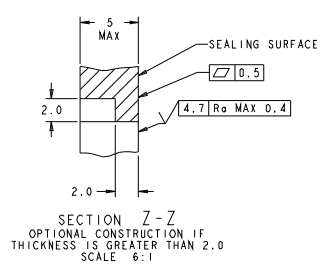
TE Connectivity
HEADER ASSEMBLY, 23 POSITION, RIGHT ANGLE AMPSEAL
770669-1

THIS DRAWING IS UNCONTROLLED	RECEIVED FOR FABRICATION
BY: _____	DATE: _____

REVISIONS			
REV	DATE	DESCRIPTION	BY
1		SEE SHEET 1	

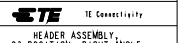


RECOMMENDED MOUNTING HOLE LAYOUT FOR 5.0 MAX THICK PANEL



RECOMMENDED P.C. BOARD LAYOUT FOR 1.57 THICK P.C. BOARD

THIS DRAWING IS A CONTROLLED DOCUMENT.		REV	REVISION	DATE	BY
		1	ISSUED	21DEC2002	
DESCRIPTION	REV	DATE	BY		
AMPSEAL	1	21DEC2002			
REV	DATE	BY			
1	21DEC2002				
2	108-1229				
3	108-1229				
4	11E-18515				
5	28.74g				
6	00779				
7	CUSTOMER DRAWING				
MATERIAL		FINISH	WEIGHT	REV	DATE
			28.74g	2	11/13
DRAWN		CHECKED	APPROVED		



HEADER ASSEMBLY,
23 POSITION, RIGHT ANGLE
AMPSEAL