



## Product Change Notification

Current Date: 19-Oct-2018

## TE Connectivity

Product Change Notification: P-18-016483

PCN Date: 17-OCT-18

Customer: Future Electronics(0000080100)

Location: WORLDWIDE

Agreement: Agreement Unknown

TE would like to inform you of the following change(s) to the listed TE Connectivity Product. In case of any further questions about this change(s), please contact your TE Connectivity Sales Engineer. Affected part, drawing and/or specification numbers are listed on the attached sheet(s).

## General Product Description:

Mini RF Header 1909763-1

## Description of Changes

Manufacturing location change. Following Part Numbers will be transferred from the original factory address of No.32 Industrial 24 Road, Nanxun District, Taiwan to the new factory address NO.8, Lane 181, Fushang Lane, Xitun District, Taiwan.

## Other attachments:

[C-Drawing of 1909763-1](#)

## Reason for Changes:

Dear Customer, we hereby inform you about a transfer of tools and/or processes. The transfer follows a strict procedure, which fully maintains quality, ability to supply and form-fit-function of the concerned products. The new manufacturing location operates under a certified quality management system in accordance with standard automotive requirements. A TE-internal release test based on the relevant part specifications will be executed before delivery. Upon request, a PPAP Level 2 will be available if it concerns a transfer of a tool which produces a finished TE-product. A PPAP Level 1 will be available if it concerns a component of a TE-product, where the production location of the finished TE-product remains unchanged. If you require such a PPAP, please notify the responsible TE Sales Contact within 14 calendar days after receipt of this PCN

## Estimated Dates:

<b>Last Order Date (Obsolete Parts Only):</b>	<b>First Date To Ship (Changed Parts Only):</b>
	15-JAN-2019
<b>Last Ship Date (Obsolete Parts Only):</b>	<b>Last Date for Mixed Shipments: (Changed Parts Only):</b>
	No Mixed Shipments

## Part Number(s) being Modified:

Part Number	Part Discontinued per PCN	Customer Drawing	Customer Part Number	Alias Part Number(s)	Substitute Part Number	Substitute Alias Part Number(s)	Description Of Difference
<a href="#">1909763-1</a>	NO						

Customer: Future Electronics Ltd ( 1273129 )

Location: Egham

Agreement Number: Agreement Unknown

## Part Number(s) being Modified:

Part Number	Part Discontinued per PCN	Customer Drawing	Customer Part Number	Alias Part Number(s)	Substitute Part Number	Substitute Alias Part Number(s)	Description Of Difference
<a href="#">1909763-1</a>	NO						

Customer: Future Electronics Asia Pacific ( 2923061 )

Location: Singapore

Agreement Number: Agreement Unknown

## Part Number(s) being Modified:

Part Number	Part Discontinued per PCN	Customer Drawing	Customer Part Number	Alias Part Number(s)	Substitute Part Number	Substitute Alias Part Number(s)	Description Of Difference
<a href="#">1909763-1</a>	NO						

Customer: Future Electronics Inc. ( 1319888 )

Location: Singapore

Agreement Number: Agreement Unknown

## Part Number(s) being Modified:

Part Number	Part Discontinued per PCN	Customer Drawing	Customer Part Number	Alias Part Number(s)	Substitute Part Number	Substitute Alias Part Number(s)	Description Of Difference
<a href="#">1909763-1</a>	NO						
<a href="#">1909763-1</a>	NO						

Customer: Future Electronics Inc. ( 2883079 )

Location: Singapore

Agreement Number: Agreement Unknown

Part Number(s) being Modified:

Part Number	Part Discontinued per PCN	Customer Drawing	Customer Part Number	Alias Part Number(s)	Substitute Part Number	Substitute Alias Part Number(s)	Description Of Difference
<a href="#">1909763-1</a>	NO						

Customer: Future Electronics Inc. ( 1319888 )

Location: Singapore

Agreement Number: Agreement Unknown

Part Number(s) being Modified:

Part Number	Part Discontinued per PCN	Customer Drawing	Customer Part Number	Alias Part Number(s)	Substitute Part Number	Substitute Alias Part Number(s)	Description Of Difference
<a href="#">1909763-1</a>	NO						
<a href="#">1909763-1</a>	NO						

Customer: Future Electronics Inc ( 2914566 )

Location: Portland

Agreement Number: Agreement Unknown

Part Number(s) being Modified:

Part Number	Part Discontinued per PCN	Customer Drawing	Customer Part Number	Alias Part Number(s)	Substitute Part Number	Substitute Alias Part Number(s)	Description Of Difference
<a href="#">1909763-1</a>	NO						

Customer: Future Electronics Inc ( 1290208 )

Location: Southaven

Agreement Number: Agreement Unknown

Part Number(s) being Modified:

Part Number	Part Discontinued per PCN	Customer Drawing	Customer Part Number	Alias Part Number(s)	Substitute Part Number	Substitute Alias Part Number(s)	Description Of Difference
<a href="#">1909763-1</a>	NO						

Customer: Future Electronics UK ( 2833922 )

Location: Hayes

Agreement Number: Agreement Unknown

Part Number(s) being Modified:

Part Number	Part Discontinued per PCN	Customer Drawing	Customer Part Number	Alias Part Number(s)	Substitute Part Number	Substitute Alias Part Number(s)	Description Of Difference
<a href="#">1909763-1</a>	NO						

Customer: Future Electronics EDC Services ( 2944409 )

Location: Leipzig

Agreement Number: Agreement Unknown

Part Number(s) being Modified:

Part Number	Part Discontinued per PCN	Customer Drawing	Customer Part Number	Alias Part Number(s)	Substitute Part Number	Substitute Alias Part Number(s)	Description Of Difference
<a href="#">1909763-1</a>	NO						

Customer: Future Electronics ( 1341463 )

Location: Mississauga

Agreement Number: Agreement Unknown

Part Number(s) being Modified:

Part Number	Part Discontinued per PCN	Customer Drawing	Customer Part Number	Alias Part Number(s)	Substitute Part Number	Substitute Alias Part Number(s)	Description Of Difference
<a href="#">1909763-1</a>	NO						

Customer: Future Electronics Inc ( 184927 )

Location: Pointe Claire

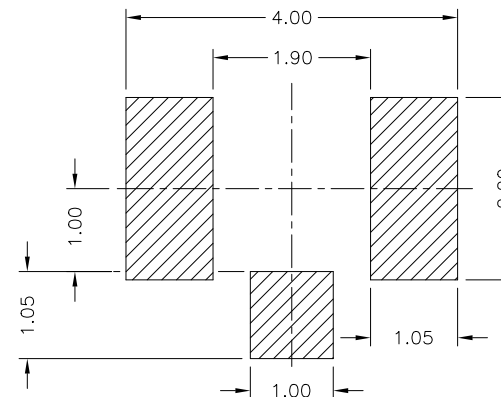
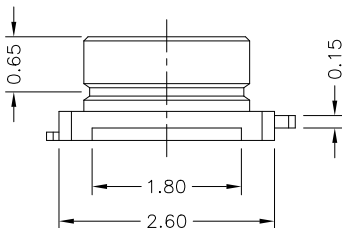
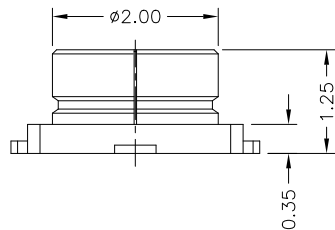
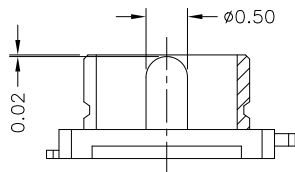
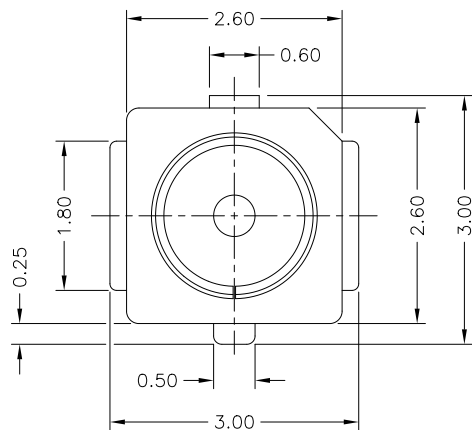
Agreement Number: Agreement Unknown

Part Number(s) being Modified:

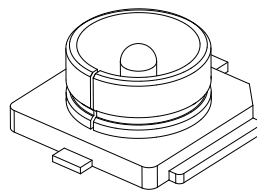
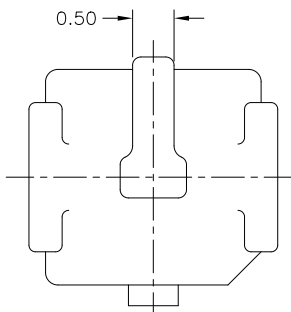
Part Number	Part Discontinued per PCN	Customer Drawing	Customer Part Number	Alias Part Number(s)	Substitute Part Number	Substitute Alias Part Number(s)	Description Of Difference
<a href="#">1909763-1</a>	NO						

THIS DRAWING IS UNPUBLISHED. RELEASED FOR PUBLICATION  
 © COPYRIGHT - By - ALL RIGHTS RESERVED.

LOC	DIST	REVISIONS			
P	LTR	DESCRIPTION	DATE	DWN	APVD
AJ	00				
	B3	ECR-18-010179	29JUN2018	RZ	RS



RECOMMENDED PCB LAYOUT



1909763-1

PART NUMBER

Q'TY	U/M	DESCRIPTION	ITEM NO.
1	EA	GROUND PAD: METAL SHELL, GOLD PLATING	3
1	EA	CENTER PIN: CENTER CNT, GOLD PLATING	2
1	MM	HOUSING: OVER MOLD HOUSING, LCP,IVORY,UL94V-0	1

THIS DRAWING IS A CONTROLLED DOCUMENT.

DIMENSIONS: mm [INCHES]	TOLERANCES UNLESS OTHERWISE SPECIFIED: 0 PLC ± 0.5 1 PLC ± 0.35 2 PLC ± 0.25 3 PLC ± 0.05 4 PLC ± - ANGLES ± 3'	DWN 16Aug2010 GARY GAO CHK 16Aug2010 RITA ZUO APVD 16Aug2010 JONGSENG GOH	TE Connectivity	
MATERIAL SEE NOTE	FINISH SEE NOTE	PRODUCT SPEC 108-112005	NAME MINI. RF HEADER	
		APPLICATION SPEC -	SIZE A3	CAGE CODE 00779
		WEIGHT -	DRAWING NO G=1909763	
		CUSTOMER DRAWING	RESTRICTED TO -	SCALE 16:1 SHEET 1 OF 2 REV B3

4

3

2

1

THIS DRAWING IS UNPUBLISHED.

RELEASED FOR PUBLICATION

ALL RIGHTS RESERVED.

© COPYRIGHT - By -

LOC  
AJDIST  
00

REVISIONS

P	LTR	DESCRIPTION	DATE	DWN	APVD
-	-	SEE SHEET 1	-	-	-

Top view of a rectangular component with dimensions: 12±0.30, 5.5±0.05, 1.75, 4, 2, 8, 1.35, 4.8, 0.4x45, and a hole diameter of 1.5±0.1.

Side view of a component with dimensions 4 and 2.7.

Cross-sectional view of a component with dimensions 3.1, 0.75, and 1.5.

Side view of a component with dimensions 12.4±2.0 and 100±2.0, and a "FEED DIRECTION" arrow.

Front view of a circular component with dimensions 330±2.0 and 13±0.5.

3D perspective view of a circular component with a central hole and four mounting points.

THIS DRAWING IS A CONTROLLED DOCUMENT.

DIMENSIONS:  
mm [INCHES]

TOLERANCES UNLESS  
OTHERWISE SPECIFIED:

0	PLC	± 0.15
1	PLC	± 0.10
2	PLC	± 0.10
3	PLC	± -
4	PLC	± -
ANGLES		± 3°

MATERIAL

SEE NOTE

FINISH

SEE NOTE

DWN 16Aug2010

GARY GAO

CHK 16Aug2010

RITA ZUO

APVD 16Aug2010

JONGSENG GOH

PRODUCT SPEC

108-112005

APPLICATION SPEC

-

WEIGHT

-

CUSTOMER DRAWING

16Aug2010

GARY GAO

16Aug2010

RITA ZUO

16Aug2010

JONGSENG GOH

PRODUCT SPEC

108-112005

APPLICATION SPEC

-

WEIGHT

-

CUSTOMER DRAWING

NAME

-

SIZE

A3

CAGE CODE

00779

DRAWING NO

C=1909763

RESTRICTED TO

-

TE Connectivity

MINI. RF HEADER

SCALE

NTS

SHEET

2 OF 2

REV

B3

1470-19 (3/11)