



Product Change Notification

Current Date: 17-Oct-2018

TE Connectivity

Product Change Notification: P-18-016471

PCN Date: 15-OCT-18

Customer: Future Electronics(0000080100)

Location: WORLDWIDE

Agreement: Agreement Unknown

TE would like to inform you of the following change(s) to the listed TE Connectivity Product. In case of any further questions about this change(s), please contact your TE Connectivity Sales Engineer. Affected part, drawing and/or specification numbers are listed on the attached sheet(s).

General Product Description:

Mini RF Header 1909763-1

Description of Changes

Manufacturing location change. Following Part Numbers will be transferred to new plant.

Other attachments:

[C-drawing of 1909763-1](#)

Reason for Changes:

Dear Customer, as a result of our continuous strive for improving our processes, we hereby inform you about a transfer of tools and/or processes. The transfer is executed by following a strict transfer procedure, which guarantees no negative influence on quality, ability to supply and form-fit-function of the concerned products. The new manufacturing location is under a certified quality management system according the standard industry requirements. An internal release based on our specifications will be executed before any parts will be delivered, which guarantees the performance.

Estimated Dates:

Last Order Date (Obsolete Parts Only):	First Date To Ship (Changed Parts Only):
	15-JAN-2019
Last Ship Date (Obsolete Parts Only):	Last Date for Mixed Shipments: (Changed Parts Only):
	No Mixed Shipments

Part Number(s) being Modified:

Part Number	Part Discontinued per PCN	Customer Drawing	Customer Part Number	Alias Part Number(s)	Substitute Part Number	Substitute Alias Part Number(s)	Description Of Difference
1909763-1	NO						

Customer: Future Electronics Ltd (1273129)

Location: Egham

Agreement Number: Agreement Unknown

Part Number(s) being Modified:

Part Number	Part Discontinued per PCN	Customer Drawing	Customer Part Number	Alias Part Number(s)	Substitute Part Number	Substitute Alias Part Number(s)	Description Of Difference
1909763-1	NO						

Customer: Future Electronics Asia Pacific (2923061)

Location: Singapore

Agreement Number: Agreement Unknown

Part Number(s) being Modified:

Part Number	Part Discontinued per PCN	Customer Drawing	Customer Part Number	Alias Part Number(s)	Substitute Part Number	Substitute Alias Part Number(s)	Description Of Difference
1909763-1	NO						

Customer: Future Electronics Inc. (1319888)

Location: Singapore

Agreement Number: Agreement Unknown

Part Number(s) being Modified:

Part Number	Part Discontinued per PCN	Customer Drawing	Customer Part Number	Alias Part Number(s)	Substitute Part Number	Substitute Alias Part Number(s)	Description Of Difference
1909763-1	NO						
1909763-1	NO						

Customer: Future Electronics Inc. (2883079)

Location: Singapore

Agreement Number: Agreement Unknown

Part Number(s) being Modified:

Part Number	Part Discontinued per PCN	Customer Drawing	Customer Part Number	Alias Part Number(s)	Substitute Part Number	Substitute Alias Part Number(s)	Description Of Difference
1909763-1	NO						

Customer: Future Electronics Inc. (1319888)

Location: Singapore

Agreement Number: Agreement Unknown

Part Number(s) being Modified:

Part Number	Part Discontinued per PCN	Customer Drawing	Customer Part Number	Alias Part Number(s)	Substitute Part Number	Substitute Alias Part Number(s)	Description Of Difference
1909763-1	NO						
1909763-1	NO						

Customer: Future Electronics Inc (2914566)

Location: Portland

Agreement Number: Agreement Unknown

Part Number(s) being Modified:

Part Number	Part Discontinued per PCN	Customer Drawing	Customer Part Number	Alias Part Number(s)	Substitute Part Number	Substitute Alias Part Number(s)	Description Of Difference
1909763-1	NO						

Customer: Future Electronics Inc (1290208)

Location: Southaven

Agreement Number: Agreement Unknown

Part Number(s) being Modified:

Part Number	Part Discontinued per PCN	Customer Drawing	Customer Part Number	Alias Part Number(s)	Substitute Part Number	Substitute Alias Part Number(s)	Description Of Difference
1909763-1	NO						

Customer: Future Electronics UK (2833922)

Location: Hayes

Agreement Number: Agreement Unknown

Part Number(s) being Modified:

Part Number	Part Discontinued per PCN	Customer Drawing	Customer Part Number	Alias Part Number(s)	Substitute Part Number	Substitute Alias Part Number(s)	Description Of Difference
1909763-1	NO						

Customer: Future Electronics EDC Services (2944409)

Location: Leipzig

Agreement Number: Agreement Unknown

Part Number(s) being Modified:

Part Number	Part Discontinued per PCN	Customer Drawing	Customer Part Number	Alias Part Number(s)	Substitute Part Number	Substitute Alias Part Number(s)	Description Of Difference
1909763-1	NO						

Customer: Future Electronics (1341463)

Location: Mississauga

Agreement Number: Agreement Unknown

Part Number(s) being Modified:

Part Number	Part Discontinued per PCN	Customer Drawing	Customer Part Number	Alias Part Number(s)	Substitute Part Number	Substitute Alias Part Number(s)	Description Of Difference
1909763-1	NO						

Customer: Future Electronics Inc (184927)

Location: Pointe Claire

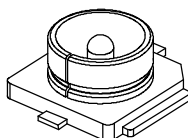
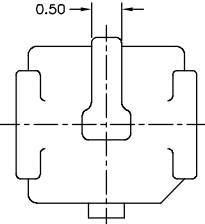
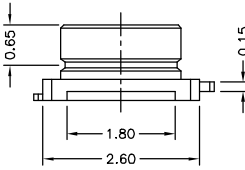
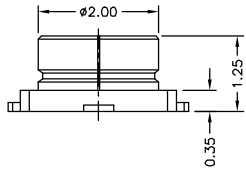
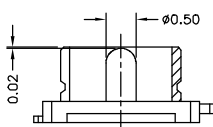
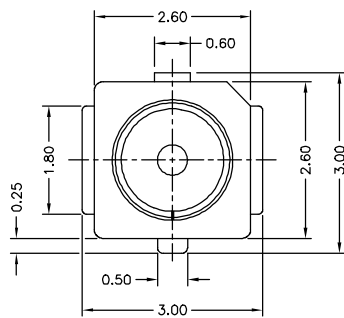
Agreement Number: Agreement Unknown

Part Number(s) being Modified:

Part Number	Part Discontinued per PCN	Customer Drawing	Customer Part Number	Alias Part Number(s)	Substitute Part Number	Substitute Alias Part Number(s)	Description Of Difference
1909763-1	NO						

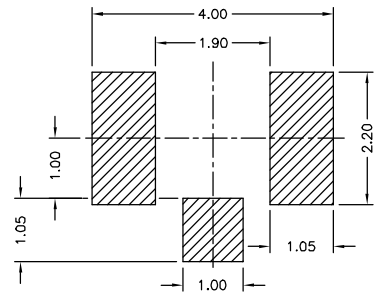
THIS DRAWING IS UNPUBLISHED. RELEASED FOR PUBLICATION
 © COPYRIGHT - By - ALL RIGHTS RESERVED.

LOC	DIST	REVISIONS			
P	LTR	DESCRIPTION	DATE	DMN	APVD
AJ	00	B3	ECR-18-010179	29JUN2018	RZ RS



NOTES

- 1 PACKAGING: 5K/REEL x 6 = 30K PER BOX.
- 2 MATERIAL & FINNISH:
- 2.1 CONTACT MATERIAL: COPPER ALLOY.
- 2.2 INSULATOR: HIGH TEMPERATURE PLASTIC UL94V-0..
- 2.3 CONTACT FINISH: GOLD 5U" ON MATING AREA,GOLD FLASH ON SOLDER TAILS, ALL OVER 50U" NICKEL(MIN.) UNDER PLATED.



RECOMMENDED PCB LAYOUT

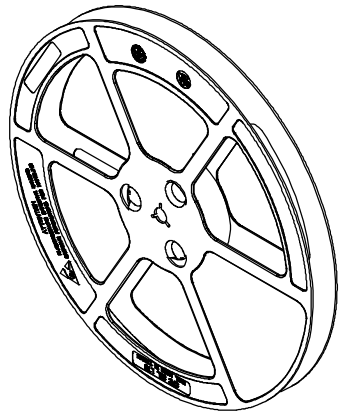
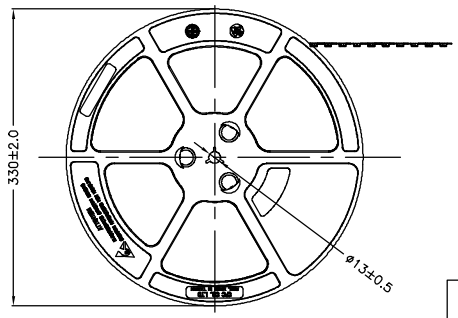
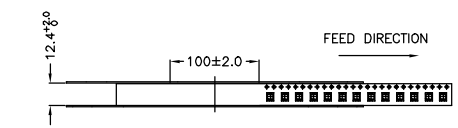
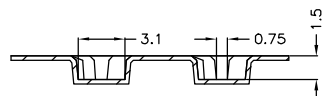
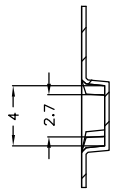
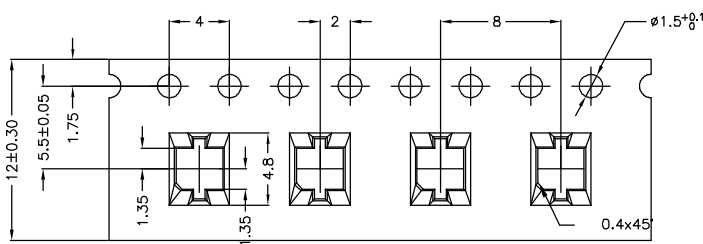
1909763-1
PART NUMBER

Q'TY	U/M	DESCRIPTION	ITEM NO.
1	EA	GROUND PAD: METAL SHELL, GOLD PLATING	3
1	EA	CENTER PIN: CENTER CNT, GOLD PLATING	2
1	MM	HOUSING: OVER MOLD HOUSING, LCP,IVORY,UL94V-0	1

THIS DRAWING IS A CONTROLLED DOCUMENT.		DMN GARY GAO 16Aug2010		
DIMENSIONS: mm [INCHES]		CHK RITA ZUO 16Aug2010		
TOLERANCES UNLESS OTHERWISE SPECIFIED:		APVD JONGSENG GOH 18Aug2010	NAME	
0 PLC ± 0.5 1 PLC ± 0.35 2 PLC ± 0.25 3 PLC ± 0.08 4 PLC ± ANGLES ± 3°		PRODUCT SPEC 108-112005	MINI. RF HEADER	
MATERIAL SEE NOTE		APPLICATION SPEC	SIZE A3	CAGE CODE 00779
FINISH SEE NOTE		WEIGHT -	DRAWING NO C=1909763	RESTRICTED TO -
CUSTOMER DRAWING			SCALE 16:1	SHEET 1 of 2
			REV B3	

THIS DRAWING IS UNPUBLISHED. RELEASED FOR PUBLICATION
 © COPYRIGHT - By - ALL RIGHTS RESERVED.

LOC	DIST	REVISIONS			
P	LTR	DESCRIPTION	DATE	DWN	APVD
AJ	00	SEE SHEET 1	-	-	-



THIS DRAWING IS A CONTROLLED DOCUMENT.		DWN: GARY GAO 16Aug2010			
DIMENSIONS: mm [INCHES]		CHK: RITA ZUO 16Aug2010			
TOLERANCES UNLESS OTHERWISE SPECIFIED:		APVD: JONGSENG GOH 16Aug2010		NAME: MINI. RF HEADER	
0 PLC ± 0.15		PRODUCT SPEC: 108-112005		SIZE: A3	
1 PLC ± 0.10		APPLICATION SPEC: -		CAGE CODE: 00779	
2 PLC ± 0.10		WEIGHT: -		DRAWING NO: C=1909763	
3 PLC ± -		MATERIAL: -		RESTRICTED TO: -	
4 PLC ± -		FINISH: -		SCALE: NTS	
ANGLES ± 3°		CUSTOMER DRAWING		SHEET 2 of 2	
SEE NOTE		SEE NOTE		REV B3	