



Product Change Notification

Current Date: 01-May-2018

TE Connectivity

Product Change Notification: E-18-005403

PCN Date: 26-APR-18

Customer: Future Electronics(0000080100)

Location: WORLDWIDE

Agreement: Agreement Unknown

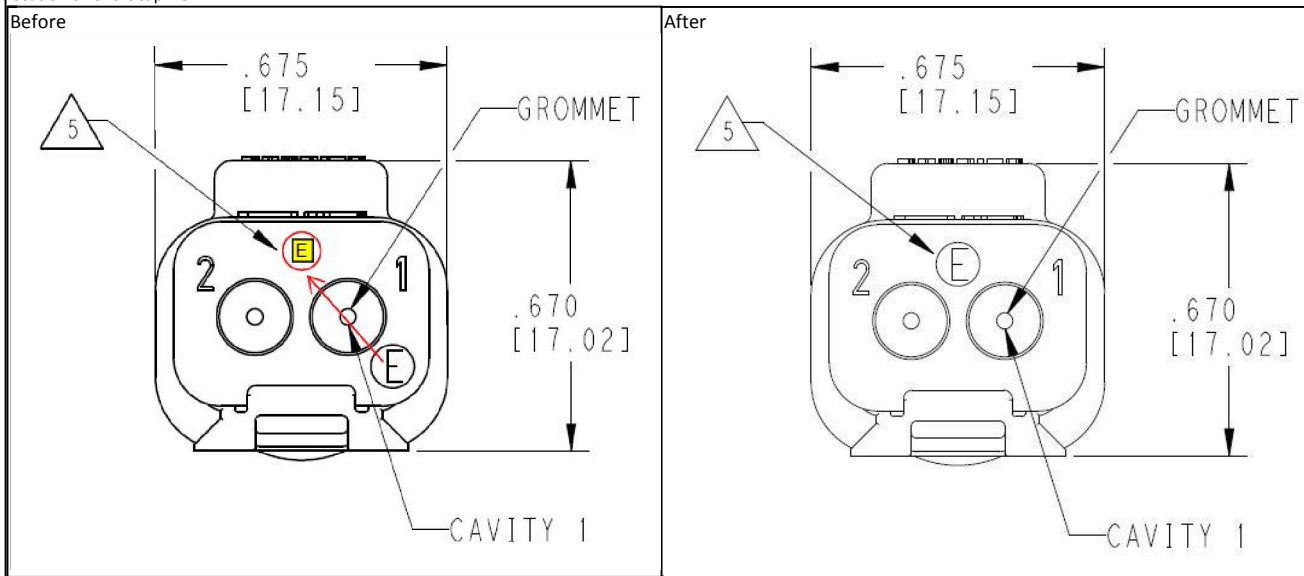
TE would like to inform you of the following change(s) to the listed TE Connectivity Product. In case of any further questions about this change(s), please contact your TE Connectivity Sales Engineer. Affected part, drawing and/or specification numbers are listed on the attached sheet(s).

General Product Description:

DEUTSCH DT2pin Receptacles Product Drawings to correct E-seal identifier location on short cap view.

Description of Changes

The Industrial and Commercial Transportation (ICT) business unit of TE Connectivity (TEC) will be updating the new tabulated product drawing to correct the E-seal identifier location on short cap view.



Reason for Changes:

Document Clarification. Document Clarification. Dear Customer, in an effort to continuously improve our product documentation, TE-ICT has updated the new tabulated product drawing to correct the E-seal identifier location on short cap view. IMPORTANT: This is documentation clarification and does not affect part fit, form or function. All products in stock and field are not affected and can be used interchangeably in the field.

Estimated Dates:

Last Order Date (Obsolete Parts Only):	First Date To Ship (Changed Parts Only):
Last Ship Date (Obsolete Parts Only):	Last Date for Mixed Shipments: (Changed Parts Only):
	No Mixed Shipments

The documents listed below are being modified. Related parts that are not explicitly listed on this PCN are not being modified or discontinued as per the PCN. The Last Order Date, Last Ship Date, First Date to Ship Changed Parts and last date for Mixed Shipments apply only to parts explicitly listed on this PCN.

Note: This PCN contains only document changes, these changes do not affect the form, fit or function of the parts referenced.

Customer Drawing(s) Being Modified:

Drawing Number	Related Part Number	Customer Part Number	Current Revision	New Revision
DT04-2P-XXXX	DT04-2P-CE01, DT04-2P-E005, DT04-2P-CE02, DT04-2P-CE03		B	

Customer: Future Electronics Ltd (1273129)

Location: Egham

Agreement Number: Agreement Unknown

The documents listed below are being modified. Related parts that are not explicitly listed on this PCN are not being modified or discontinued as per the PCN. The Last Order Date, Last Ship Date, First Date to Ship Changed Parts and last date for Mixed Shipments apply only to parts explicitly listed on this PCN.

Customer Drawing(s) Being Modified:

Drawing Number	Related Part Number	Customer Part Number	Current Revision	New Revision
DT04-2P-XXXX	DT04-2P-CE02		B	

Customer: Future Electronics Inc (1290208)

Location: Southaven

Agreement Number: Agreement Unknown

The documents listed below are being modified. Related parts that are not explicitly listed on this PCN are not being modified or discontinued as per the PCN. The Last Order Date, Last Ship Date, First Date to Ship Changed Parts and last date for Mixed Shipments apply only to parts explicitly listed on this PCN.

Customer Drawing(s) Being Modified:

Drawing Number	Related Part Number	Customer Part Number	Current Revision	New Revision
DT04-2P-XXXX	DT04-2P-CE01		B	

Customer: Future Electronics UK (2833922)

Location: Hayes

Agreement Number: Agreement Unknown

The documents listed below are being modified. Related parts that are not explicitly listed on this PCN are not being modified or discontinued as per the PCN. The Last Order Date, Last Ship Date, First Date to Ship Changed Parts and last date for Mixed Shipments apply only to parts explicitly listed on this PCN.

Customer Drawing(s) Being Modified:

Drawing Number	Related Part Number	Customer Part Number	Current Revision	New Revision
DT04-2P-XXXX	DT04-2P-E005		B	

Customer: Future Electronics EDC Services (2944409)

Location: Leipzig

Agreement Number: Agreement Unknown

The documents listed below are being modified. Related parts that are not explicitly listed on this PCN are not being modified or discontinued as per the PCN. The Last Order Date, Last Ship Date, First Date to Ship Changed Parts and last date for Mixed Shipments apply only to parts explicitly listed on this PCN.

Customer Drawing(s) Being Modified:

Drawing Number	Related Part Number	Customer Part Number	Current Revision	New Revision
DT04-2P-XXXX	DT04-2P-CE03		B	