

Product Change Notification (PCN) T-1407

P4S Header

Notification change of plating specification.



We would like to inform you that for the purpose of product improvement, we will be changing the plating specification for the header of the P4S Narrow Pitch Connector.

1. Products Name / Types

Narrow Pitch Connector P4S Header

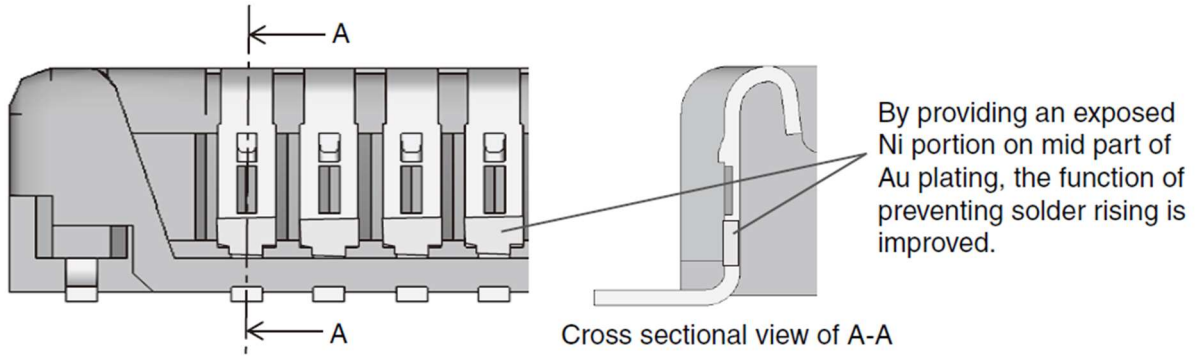
2. Part number

AXT4○○○24○

3. Content of Change

- Solder rising is prevented in P4S header due to simultaneous forming. By changing to an Ni barrier construction the prevention of solder rising is improved even further.
- Part number, price and specification remain unchanged.

What is Ni barrier construction?



- * Depending on the product type, the lower part of the V notch may assume the Ni color. This will not affect contact reliability.
- * In previous products, the socket already has the Ni barrier.

4. Schedule

From March 2018 production onward.

5. Identification method

- Changes to label

Before change	After change
	<p>Temporarily during the changeover period, a ● mark will be displayed above the quantity on the inner and outer labels of the changed product. This will continue for six months until the end of August 2018. The ● mark will not be displayed from September onward.</p>

Panasonic Electric Works Europe AG
Robert-Koch-Straße 100, 85521 Ottobrunn, Germany
Tel.: +49 89 45354-1000 • Fax: +49 89 45354-2111

Part No
AXT400124J
AXT400224
AXT400324J
AXT410124J
AXT416124J
AXT420124J
AXT420324
AXT422124
AXT424124
AXT426124
AXT430124J
AXT430224
AXT430324J
AXT432124
AXT438124
AXT440124J
AXT440224
AXT444124
AXT446124
AXT450124J
AXT460124J
AXT460324
AXT470124J
AXT480124J
AXT480324
AXT490124J

December 2017

