



Product Change Notification

Current Date: 08-Dec-2017

TE Connectivity

Product Change Notification: E-17-016522

PCN Date: 05-DEC-17

Customer: Future Electronics(0000080100)

Location: WORLDWIDE

Agreement: Agreement Unknown

TE would like to inform you of the following change(s) to the listed TE Connectivity Product. In case of any further questions about this change(s), please contact your TE Connectivity Sales Engineer. Affected part, drawing and/or specification numbers are listed on the attached sheet(s).

General Product Description:

Universal Mate-N-Lok Housings

Description of Changes

There have been no changes to the existing parts, the drawings have been modified to show a new product offering.

Other attachments:

[Markup drawing for 480699](#)

[Markup drawing for 350866](#)

[Markup drawing for 350777](#)

[Markup drawing for 350865](#)

Reason for Changes:

Customer Request. A part meets with GWIT 775 degree C compliant.

Estimated Dates:

Last Order Date (Obsolete Parts Only):

First Date To Ship (Changed Parts Only):

Last Ship Date (Obsolete Parts Only):

Last Date for Mixed Shipments: (Changed Parts Only):

No Mixed Shipments

The documents listed below are being modified. Related parts that are not explicitly listed on this PCN are not being modified or discontinued as per the PCN. The Last Order Date, Last Ship Date, First Date to Ship Changed Parts and last date for Mixed Shipments apply only to parts explicitly listed on this PCN.

Note: This PCN contains only document changes, these changes do not affect the form, fit or function of the parts referenced.

Customer Drawing(s) Being Modified:

Drawing Number	Related Part Number	Customer Part Number	Current Revision	New Revision
350777	1-350777-2, 350777-1		AD	
480699	1-480699-0		AG6	

Customer: Future Electronics Ltd(1273129)

Location: Egham

Agreement Number: Agreement Unknown

The documents listed below are being modified. Related parts that are not explicitly listed on this PCN are not being modified or discontinued as per the PCN. The Last Order Date, Last Ship Date, First Date to Ship Changed Parts and last date for Mixed Shipments apply only to parts explicitly listed on this PCN.

Customer Drawing(s) Being Modified:

Drawing Number	Related Part Number	Customer Part Number	Current Revision	New Revision
350777	1-350777-2		AD	

Customer: Future Electronics Inc(2912436)

Location: Houston

Agreement Number: Agreement Unknown

The documents listed below are being modified. Related parts that are not explicitly listed on this PCN are not being modified or discontinued as per the PCN. The Last Order Date, Last Ship Date, First Date to Ship Changed Parts and last date for Mixed Shipments apply only to parts explicitly listed on this PCN.

Customer Drawing(s) Being Modified:

Drawing Number	Related Part Number	Customer Part Number	Current Revision	New Revision
480699	1-480699-0		AG6	

Customer: Future Electronics Asia Pacific(2923061)

Location: Singapore

Agreement Number: Agreement Unknown

The documents listed below are being modified. Related parts that are not explicitly listed on this PCN are not being modified or discontinued as per the PCN. The Last Order Date, Last Ship Date, First Date to Ship Changed Parts and last date for Mixed Shipments apply only to parts explicitly listed on this PCN.

Customer Drawing(s) Being Modified:

Drawing Number	Related Part Number	Customer Part Number	Current Revision	New Revision
350777	1-350777-2		AD	
480699	1-480699-0		AG6	

Customer: Future Electronics Inc.(1319888)

Location: Singapore

Agreement Number: Agreement Unknown

The documents listed below are being modified. Related parts that are not explicitly listed on this PCN are not being modified or discontinued as per the PCN. The Last Order Date, Last Ship Date, First Date to Ship Changed Parts and last date for Mixed Shipments apply only to parts explicitly listed on this PCN.

Customer Drawing(s) Being Modified:

Drawing Number	Related Part Number	Customer Part Number	Current Revision	New Revision
350777	350777-1		AD	
480699	1-480699-0		AG6	

Customer: FUTURE ELEC- SAMPLES AUSTIN(546768)

Location: AUSTIN

Agreement Number: Agreement Unknown

The documents listed below are being modified. Related parts that are not explicitly listed on this PCN are not being modified or discontinued as per the PCN. The Last Order Date, Last Ship Date, First Date to Ship Changed Parts and last date for Mixed Shipments apply only to parts explicitly listed on this PCN.

Customer Drawing(s) Being Modified:

Drawing Number	Related Part Number	Customer Part Number	Current Revision	New Revision
350777	350777-1		AD	

Customer: Future Electronics Inc(1290208)

Location: Southaven

Agreement Number: FUTAGR001

The documents listed below are being modified. Related parts that are not explicitly listed on this PCN are not being modified or discontinued as per the PCN. The Last Order Date, Last Ship Date, First Date to Ship Changed Parts and last date for Mixed Shipments apply only to parts explicitly listed on this PCN.

Customer Drawing(s) Being Modified:

Drawing Number	Related Part Number	Customer Part Number	Current Revision	New Revision
350777	350777-1		AD	
480699	1-480699-0		AG6	

Customer: Future Electronics UK(2833922)

Location: Hayes

Agreement Number: Agreement Unknown

The documents listed below are being modified. Related parts that are not explicitly listed on this PCN are not being modified or discontinued as per the PCN. The Last Order Date, Last Ship Date, First Date to Ship Changed Parts and last date for Mixed Shipments apply only to parts explicitly listed on this PCN.

Customer Drawing(s) Being Modified:

Drawing Number	Related Part Number	Customer Part Number	Current Revision	New Revision
350777	350777-1		AD	
480699	1-480699-0		AG6	

Customer: Future Electronics EDC Services(2944409)

Location: Leipzig

Agreement Number: Agreement Unknown

The documents listed below are being modified. Related parts that are not explicitly listed on this PCN are not being modified or discontinued as per the PCN. The Last Order Date, Last Ship Date, First Date to Ship Changed Parts and last date for Mixed Shipments apply only to parts explicitly listed on this PCN.

Customer Drawing(s) Being Modified:

Drawing Number	Related Part Number	Customer Part Number	Current Revision	New Revision
350777	350777-1		AD	

Drawing Number	Related Part Number	Customer Part Number	Current Revision	New Revision
480699	1-480699-0		AG6	

Customer: Future Electronics-Disty Sample(773504)

Location: Pointe Claire

Agreement Number: Agreement Unknown

The documents listed below are being modified. Related parts that are not explicitly listed on this PCN are not being modified or discontinued as per the PCN. The Last Order Date, Last Ship Date, First Date to Ship Changed Parts and last date for Mixed Shipments apply only to parts explicitly listed on this PCN.

Customer Drawing(s) Being Modified:

Drawing Number	Related Part Number	Customer Part Number	Current Revision	New Revision
350777	350777-1		AD	

Customer: Future Electronics(3059283)

Location: Quebec

Agreement Number: Agreement Unknown

The documents listed below are being modified. Related parts that are not explicitly listed on this PCN are not being modified or discontinued as per the PCN. The Last Order Date, Last Ship Date, First Date to Ship Changed Parts and last date for Mixed Shipments apply only to parts explicitly listed on this PCN.

Customer Drawing(s) Being Modified:

Drawing Number	Related Part Number	Customer Part Number	Current Revision	New Revision
350777	350777-1		AD	

Customer: Future Electronics Incorporate(591)

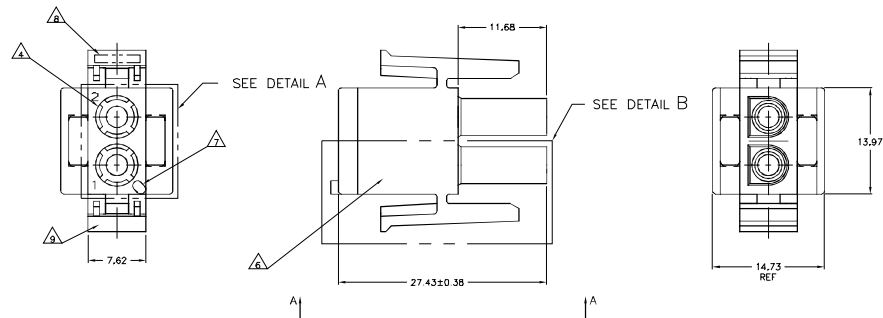
Location: CANADA

Agreement Number: Agreement Unknown

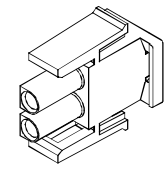
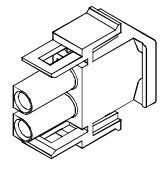
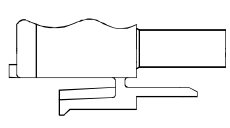
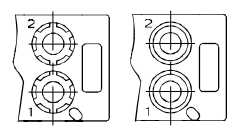
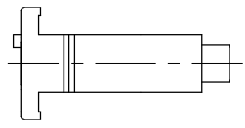
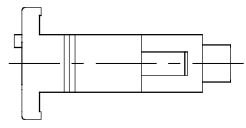
The documents listed below are being modified. Related parts that are not explicitly listed on this PCN are not being modified or discontinued as per the PCN. The Last Order Date, Last Ship Date, First Date to Ship Changed Parts and last date for Mixed Shipments apply only to parts explicitly listed on this PCN.

Customer Drawing(s) Being Modified:

Drawing Number	Related Part Number	Customer Part Number	Current Revision	New Revision
480699	1-480699-0		AG6	



- MATES WITH APPROPRIATE UNIVERSAL MATE-N-LOK™ CAP OR HEADER.
 - SMALL NICKS ARE PERMITTED ON THE CIRCUIT TOWERS WHICH COULD INCREASE THE INITIAL HOUSING MATING FORCE BY UP TO 4.4 NEWTONS [1.0] LBS. NO INDIVIDUAL NICKED TOWER SHALL INCREASE THIS FORCE BY OVER 2.2 NEWTONS [0.5] LBS.
 - DIMENSIONS SHOWN REPRESENT PRODUCT IN DRY, AS MOLDED, CONDITION. ADDITIONAL 2% GROWTH DUE TO SUBSEQUENT MOISTURE ABSORPTION MAY OCCUR AND SHOULD BE ACCOUNTED FOR.
- △ FOUR RIBS EQUALLY SPACED, NO SPECIFIC ORIENTATION, NO RIBS OR SIX RIBS EQUALLY SPACED, NO SPECIFIC ORIENTATION, OPTIONAL.
 - △ NOT MANUFACTURED IN U.S.
 - △ UNDERWRITERS RECOGNIZED COMPONENT LOGO AND CSA CERTIFICATION LOGO TO BE LOCATED ONCE ON ANY SIDE OF HOUSING.
 - △ POSITION #1 LOCATOR FEATURE MAY BE ROUND OR OBLONG (AS DEPICTED).
 - △ TRADEMARK LOCATION (AMP OR TE CONNECTIVITY) SHOWN FOR CONVENIENCE. LOGO MAY BE ON ANY EXTERNAL SURFACE.
 - △ MANUFACTURING LOCATION ID (OPTIONAL).
 - △ MATERIAL: UL94 V-0, GWT 775°C



△ NATURAL	2-350777-1
BLACK	1-350777-9
GRAY	1-350777-8
BLUE	1-350777-6
GREEN	1-350777-5
YELLOW	1-350777-4
ORANGE	1-350777-3
RED	1-350777-2
BROWN	1-350777-1
△	350777-4
NATURAL	350777-1
COLOR	PART NUMBER

MM	IN
27.43	1.080
14.73	.580
13.97	.550
11.68	.460
7.62	.300
0.38	.015
0.13	.005

CONVERSION TABLE

350777-4 3-DIMENSIONAL MODEL NTS

3-DIMENSIONAL MODEL NTS

THIS DRAWING IS A CONTROLLED DOCUMENT

DATE	BY	CHKD	APP	REV	DATE	BY	CHKD	APP	REV

UNIVERSAL MATE-N-LOK™

TE Connectivity

PLUG 2 CIRCUIT UNIVERSAL MATE-N-LOK (TM)

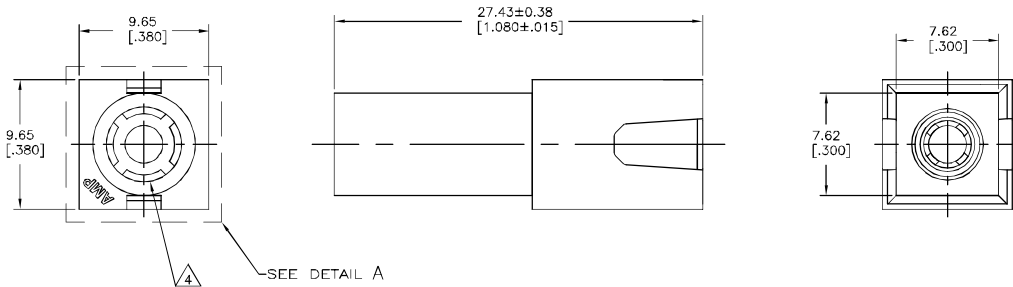
REVISED TO

007790-350777

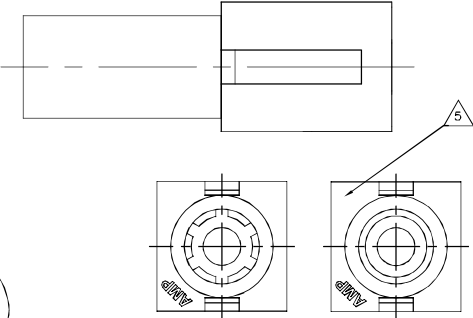
CUSTOMER DRAWING

THIS DRAWING IS UNAPPROVED. RELEASED FOR PUBLICATION. ALL RIGHTS RESERVED.

REVISIONS				
#	DATE	DESCRIPTION	BY	APP
P7	09NOV2017	REVISED PER ECR-17-016522	SC	BH



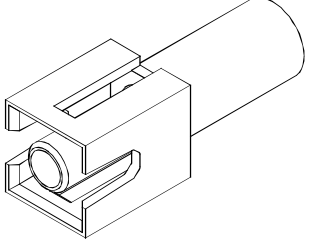
SEE DETAIL A



DETAIL A
OPTIONAL CONSTRUCTIONS

- 1 MATES WITH HOUSING 350865.
- 2 DIMENSIONS IN BRACKETS ARE IN INCHES.
- 3 DIMENSIONS SHOWN REPRESENT PRODUCT IN DRY, AS MOULDED, CONDITION. ADDITIONAL 2% GROWTH DUE TO SUBSEQUENT MOISTURE ABSORPTION MAY OCCUR AND SHOULD BE ACCOUNTED FOR.

- △4 FOUR RIBS EQUALLY SPACED, NO SPECIFIC ORIENTATION. NO RIBS OR SIX RIBS EQUALLY SPACED, NO SPECIFIC ORIENTATION, OPTIONAL.
- △5 CSA LOGO LOCATED APPROXIMATELY AS SHOWN
- △6 MATERIAL: GWIT 775°C



3-DIMENSIONAL MODEL NTS

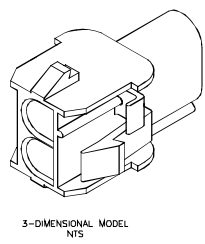
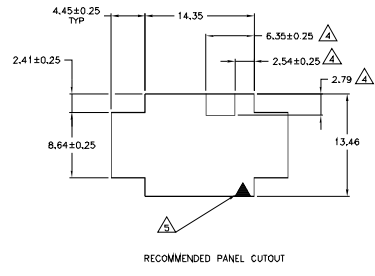
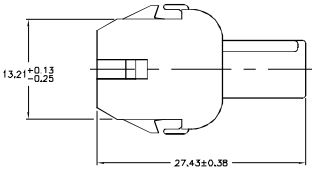
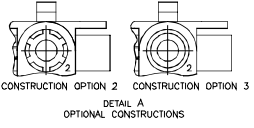
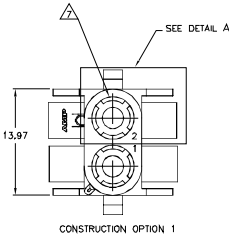
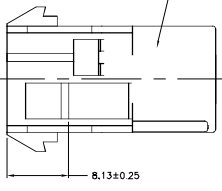
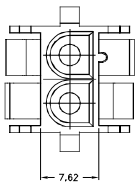
△	NATURAL	1-350866-1
	RED	350866-2
	NATURAL	350866-1
	COLOR	PART NO.

THIS DRAWING IS A CONTROLLED DOCUMENT. **OM** K. WHITAKER 9-12-91
DR R. SWING 9-12-91
APPR D. SELF 9-12-91
DATE 9-12-91

STC TE Connectivity

CAP, SINGLE CIRCUIT, UNIVERSAL MATE-N-LOK™

DIMENSIONS: mm (INCHES)	TOLERANCES UNLESS OTHERWISE SPECIFIED	SIZE	CAGE CODE	DRAWING NO.	RESTRICTED TO
Ø FRC # -	Ø FRC # -	A2	00779	350866	
Ø FRC # -	Ø FRC # -				
Ø FRC # -	Ø FRC # -				
Ø FRC # -	Ø FRC # -				
Ø FRC # -	Ø FRC # -				
Ø FRC # -	Ø FRC # -				
MATERIAL: NYLON, UL 94V-0	FINISH: -	WEIGHT: -			
CUSTOMER DRAWING		SCALE: 5:1	SHEET: 1 of 1	REV: P7	



MM	IN	MM	IN
4.45	.175	27.43	1.080
2.79	.110	14.35	.565
2.54	.100	13.97	.550
2.41	.095	13.46	.530
2.29	.090	13.21	.520
0.76	.030	8.64	.340
0.38	.015	8.13	.320
0.25	.010	7.62	.300
0.13	.005	6.35	.250

- MATES WITH APPROPRIATE UNIVERSAL MATE-N-LOK® PLUG.
 - RECOMMENDED PANEL THICKNESS 0.76 - 2.29.
 - PANEL MUST BE PUNCHED SO THAT THE HOUSING ENTERS THE PANEL IN THE SAME DIRECTION AS THE PUNCH.
- ⚠ OPTIONAL FOR KEYING HOUSING IN PANEL.
 - ⚠ CIRCUIT NUMBER 1 LOCATION.
 - ⚠ DIMENSIONS SHOWN REPRESENT PRODUCT IN DRY, AS MOLDED, CONDITION. ADDITIONAL 2% GROWTH DUE TO SUBSEQUENT MOISTURE ABSORPTION MAY OCCUR AND SHOULD BE ACCOUNTED FOR.
 - ⚠ FOUR RIBS EQUALLY SPACED, NO SPECIFIC ORIENTATION, NO RIBS OR SIX RIBS EQUALLY SPACED, NO SPECIFIC ORIENTATION, OPTIONAL.
 - ⚠ UNDERWRITERS RECOGNIZED COMPONENT LOGO AND CSA CERTIFICATION LOGO TO BE LOCATED ONCE EACH ON SIDE OF HOUSING.
 - ⚠ OBSOLETE PARTS: OBSOLETE CIS STREAMLINING PER D.RENAUD/D.SINISI
 - ⚠ CONSTRUCTION OPTION 1 ONLY ALLOWED. CONSTRUCTION OPTIONS 2 AND 3 NOT PERMISSIBLE.
 - ⚠ PREPRODUCTION - FASR REQUIRED.
 - ⚠ MATERIAL: UL94 V-0, GWT 775°C

⚠ NATURAL	3-480699-0
⚠ NATURAL	2-480699-0
BLACK	1-480699-3
GREY	1-480699-8
BLUE	1-480699-6
GREEN	1-480699-5
YELLOW	1-480699-4
ORANGE	1-480699-3
RED	1-480699-2
BROWN	1-480699-1
NATURAL	1-480699-0
COLOR	PART NO.

⚠ SUPERSEDED BY 1-480699-0
 ⚠ OBSOLETE

THIS DRAWING IS A CONTROLLED DOCUMENT

DESIGNED BY	DATE	REVISED BY	DATE
DRW	10/17/02	REVISED BY	10/17/02

UNIVERSAL MATE-N-LOK

TE Connectivity

UNIVERSAL MATE-N-LOK (TM)

00779 480699

CUSTOMER DRAWING

THIS DRAWING IS UNCONTROLLED. RELEASED FOR REVISION. ALL RIGHTS RESERVED.

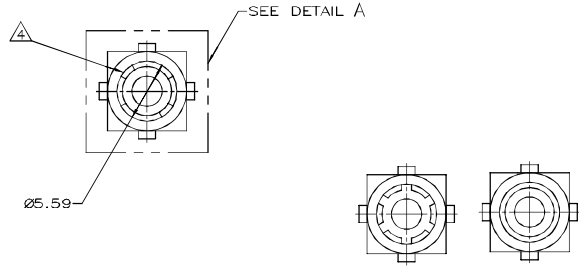
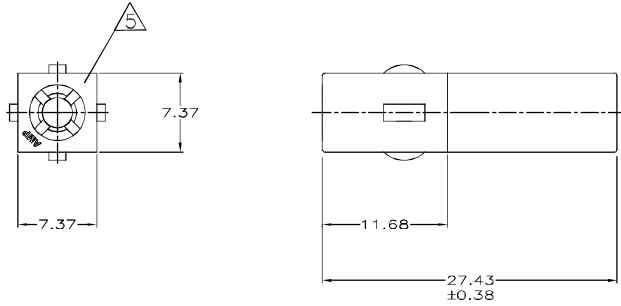
REVISIONS				
#	DATE	DESCRIPTION	BY	APP
R4		REVISED PER ECR-17-016522	09NOV2017	SC BH

6 MATERIAL: GWIT 775°C

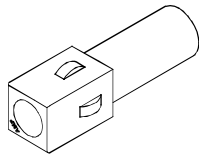
- MATES WITH APPROPRIATE UNIVERSAL MATE-N-LOK™ CAP.
- SMALL NICKS ARE PERMITTED ON THE CIRCUIT TOWER WHICH COULD INCREASE THE INITIAL HOUSING MATING FORCE BY UP TO 2.2 NEWTONS [.5 LBS].
- DIMENSIONS SHOWN REPRESENT PRODUCT IN DRY, AS MOLDED, CONDITION. ADDITIONAL 2% GROWTH DUE TO SUBSEQUENT MOISTURE ABSORPTION MAY OCCUR AND SHOULD BE ACCOUNTED FOR.

4 FOUR RIBS EQUALLY SPACED, NO SPECIFIC ORIENTATION. NO RIBS OR SIX RIBS EQUALLY SPACED, NO SPECIFIC ORIENTATION, OPTIONAL.

5 CSA LOGO LOCATED APPROXIMATELY AS SHOWN.



DETAIL A
OPTIONAL CONSTRUCTION



3-DIMENSIONAL MODEL
NTS

27.43	1.080
11.68	.460
7.37	.290
5.59	.220
0.38	.015
0.13	.005
MM	IN

CONVERSION TABLE

6	NATURAL	1-350865-1
	NATURAL	350865-1
	COLOR	PART NO

THIS DRAWING IS A CONTROLLED DOCUMENT.		DATE	3-9-92
BY		DATE	3-9-92
D. SWING		DATE	3-10-92
D. SELF		DATE	
PRODUCT SPEC			
APPLICATION SPEC			
WEIGHT		SIZE	A2
FINISH		CASE CODE	00779
MATERIAL		DRAWING NO.	350865
NYLONUL 94V-0		CUSTOMER DRAWING	SCALE
		SCALE	4:1
		SHEET	1 of 1
		REV	R4

STE TE Connectivity

PLUG,
SINGLE CIRCUIT,
UNIVERSAL MATE-N-LOK™