



Expertise Applied | Answers Delivered

8755 W. Higgins Road  
Suite 500  
Chicago, IL 60631

www.littelfuse.com

Aug 25<sup>th</sup>, 2017  
To: Valued Customer  
From: Littelfuse Product Management

**Subject: LFPCN # 41278 – Glow Wire Compliance Upgrade for Holders and Blocks**

Littelfuse Product Management would like to inform you that we are upgrading the insulation materials for our fuse holders and blocks that have VDE certification, in order to meet the enhanced glow wire requirements according to the updated standard IEC 60127-6. The new materials will be red phosphor free and halogen free. Meanwhile, we are consolidating IEC certifications with VDE.

There are changes in form and function to be compliant with the updated standard IEC 60127-6, but the fit will remain the same. Please see the following charts for details, and the attached excel file for affected part numbers.


**345 ISS Series Panel Mount**

Changes	Drawings (illustrative)
Insulation material upgrade; Update markings on fuse holder; Logos update on the label for 3452 only;	


**345 ISS Series PCB Mount**

Insulation material upgrade for knob only.


## 815, 816, 830, 835 & 837 Series

Changes	Drawings (illustrative)
<p>Insulation material upgrade;</p> <p>Logos update on the label;</p>	


## 800 & 813 Series

Changes	Drawings (illustrative)
<p>Insulation material upgrade;</p> <p>Update certification markings on fuse holder;</p> <p>Logos update on the label;</p>	

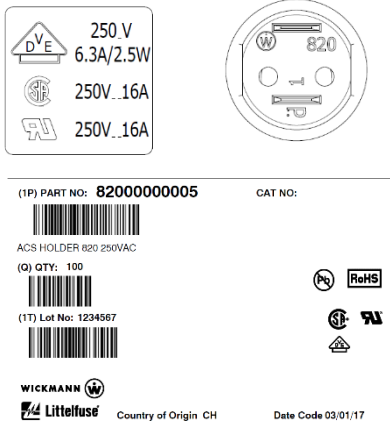
## 814 Series

Changes	Drawings (illustrative)
<p>Insulation material upgrade;</p> <p>Update certification markings on fuse holder;</p> <p>Logos update on the label;</p> <p>Improve the contact by changing terminal from round to oval shape;</p>	


## 803, 810, 811 & 831 Series

Changes	Drawings (illustrative)
<p>Insulation material upgrade;</p> <p>Update certification markings on fuse holder;</p> <p>Logos update on the label;</p>	

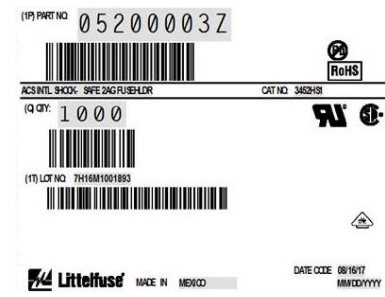
## 820, 821, 823 & 824 Series

Changes	Drawings (illustrative)
<p>Insulation material upgrade;</p> <p>Update certification markings on fuse holder;</p> <p>Logos update on the label;</p>	

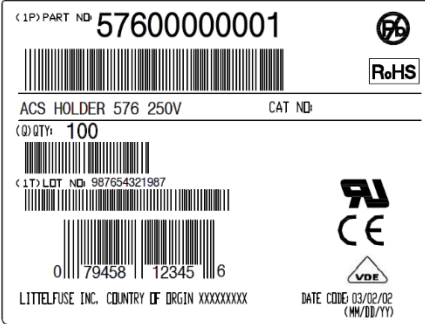
## 834 Series

Changes	Drawings (illustrative)
<p>Insulation material upgrade;</p> <p>Update certification markings on fuse holder;</p> <p>Logos update on the label;</p> <p>Improve the contact by changing terminal from round to oval shape;</p>	

## 520 Series

Changes	Drawings (illustrative)
Logos update on the label;	 <p>(1P) PART NO: 052000003Z</p> <p>ACS HLD. SHOD. SAFE ZAG R/SHLD. CAT NO. 34624SI</p> <p>(Q) QTY: 1000</p> <p>(1T) LOT NO: 7H18M1001883</p> <p><b>Littelfuse</b> MADE IN MEXICO DATE CODE 08/16/17 MM/DD/YYYY</p>

## 576 Series

Changes	Drawings (illustrative)
Insulation material upgrade; Logos update on the label;	 <p>(1P) PART NO: 57600000001</p> <p>ACS HOLDER 576 250V CAT NO:</p> <p>(Q) QTY: 100</p> <p>(1T) LOT NO: 987654321987</p> <p>0 79458 12345 6</p> <p>LITTELFUSE INC. COUNTRY OF ORIGIN XXXXXXXXX DATE CODE 03/02/02 (MM/DD/YY)</p>

Please contact your local Littelfuse Sales Office, should you need further assistance.

Best regards,  
**Ben Zheng**  
 Global Product Manager  
 Suzhou Littelfuse OVS Ltd.