

**From:** Kris Lafko <KrisLa@linxtechnologies.com>  
**Sent:** Wednesday, May 31, 2017 10:07 AM  
**To:** Pcn System  
**Subject:** PCN# 53841- Updated Linx Cable Assembly Drawings  
**Attachments:** WinZip Compressed Attachments.zip

Hello,

In performing a recent documentation audit we have found that some updated drawings and documents have not been fully distributed, so we will be sending out updates in the next week in order to attempt to make sure the most current documentation is in your library and web sites where appropriate. For the first update, please find attached the updated drawings for five cable assembly design; for the following part numbers:

Linx Part Number
CSI-RGFB-ccc-UFFR
CSI-RSFB-ccc-UFFR
CSI-RSFE-ccc-UFFR
CSI-SAFB-ccc-UFFR
CSI-SAFE-ccc-UFFR

Please update your documentation with the attached newer drawings.

Best Regards,  
Kris

**Kris Lafko**

VP of Sales

[Linx Technologies](#)

Wireless Made Simple®



Corporate: +1 541 471 6256

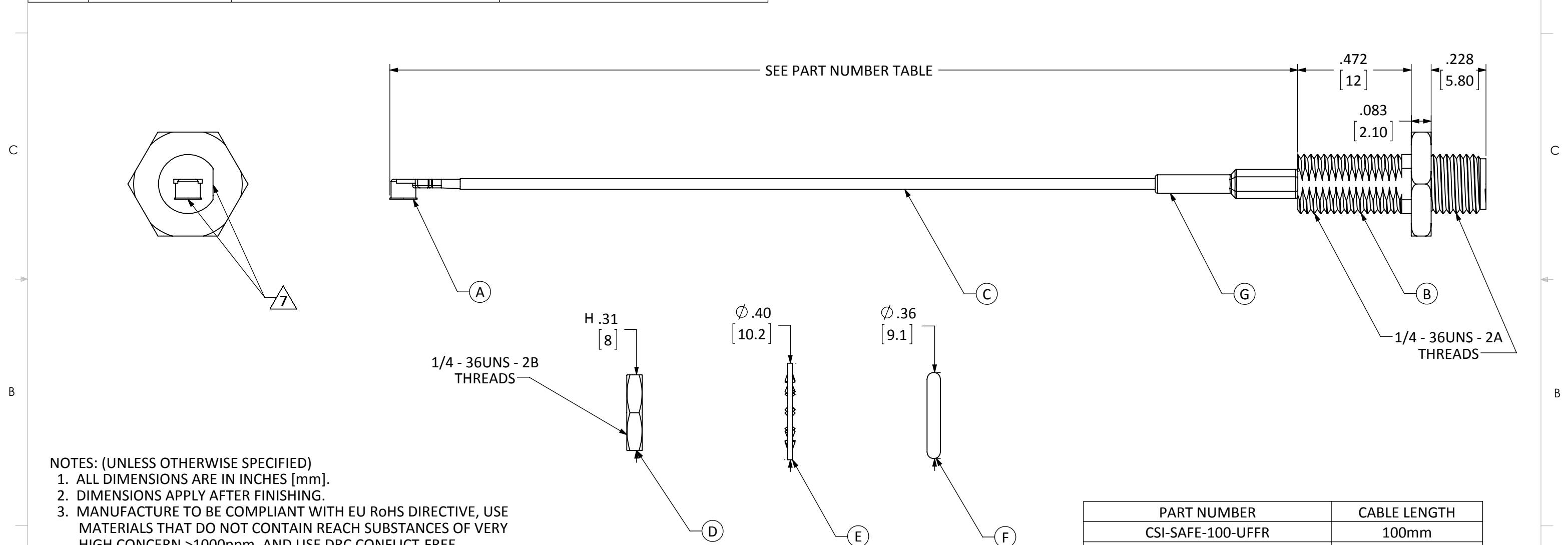
Direct: +1 541 472 3731

**New Mobile: +1 541 291 1437**

Fax: +1 541 471 6251

ITEM	DESCRIPTION	MATERIAL	FINISH
A	U.FL PLUG	BRASS	GOLD
B	SEALED SMA FEM. BULKHEAD MOUNT CONNECTOR	BRASS	NICKEL
C	CABLE	1.13mm COAXIAL	GRAY
D	NUT	BRASS	NICKEL
E	WASHER	BRASS	NICKEL
F	O-RING	Si RUBBER	BLACK
G	HEAT SHRINK TUBING	POLYOLEFIN	BLACK

REVISIONS			
REV	DESCRIPTION	DATE	APPV
A	INITIAL RELEASE OF LINX INTERNAL DRAWING	15-APR-14	SAH
B	UPDATED NOTE 3; ADDED FLAG NOTE 7 AND VIEW TO ILLUSTRATE CONNECTOR ORIENTATION	1-SEP-15	SAH
C	UPDATED TO ADD DIMENSIONS TO NUT, WASHER AND O-RING	13-JUL-16	SAH



- NOTES: (UNLESS OTHERWISE SPECIFIED)
- ALL DIMENSIONS ARE IN INCHES [mm].
  - DIMENSIONS APPLY AFTER FINISHING.
  - MANUFACTURE TO BE COMPLIANT WITH EU RoHS DIRECTIVE, USE MATERIALS THAT DO NOT CONTAIN REACH SUBSTANCES OF VERY HIGH CONCERN >1000ppm, AND USE DRC CONFLICT-FREE SOURCED MATERIALS.
  - MINIMUM FREQUENCY RANGE: DC TO 3GHz.
  - CABLE ASSEMBLY SPECIFICATIONS;
    - CHARACTERISTIC IMPEDANCE: 50Ω ± 3Ω
    - INSERTION LOSS: 100mm - 0.34vf IN GHz TYP.  
200mm - 0.56vf IN GHz TYP.  
300mm - 0.73vf IN GHz TYP.
  - CONNECTOR TO BE APPLIED IN ACCORDANCE WITH CONNECTOR SUPPLIER RECOMMENDED PROCEDURE.
  - CONNECTORS TO BE ORIENTED WITH U.FL CONNECTOR MATING FACE 90° CLOCKWISE FROM BULKHEAD CONNECTOR THREAD FLAT FACE, AS SHOWN.

PART NUMBER	CABLE LENGTH
CSI-SAFE-100-UFFR	100mm
CSI-SAFE-200-UFFR	200mm
CSI-SAFE-300-UFFR	300mm

**WARNING:** THIS DRAWING CONTAINS PROPRIETARY INFORMATION THAT IS THE SOLE PROPERTY OF LINX TECHNOLOGIES, AND SHALL BE TREATED AS SUCH. NO DISCLOSURE OR REPRODUCTION OF THIS DOCUMENT IS PERMITTED, IN WHOLE OR IN PART, WITHOUT THE EXPRESS WRITTEN PERMISSION OF LINX TECHNOLOGIES OR ITS DESIGNATED AGENTS.

**Linx** 159 ORT LANE  
MERLIN, OR 97532

TITLE: **CABLE ASSEMBLY, U.FL TO FEM. BLKHD SMA, 1.13mm CBL**

MATERIAL: INTERPRET DIMENSIONS AND TOLERANCES PER ASME Y14.5. PROJECTION:

FINISH: SURFACE FINISH: ANGLES: ±1°  
TOLERANCES: .X ±.1 .XX ±.01 .XXX ±.005

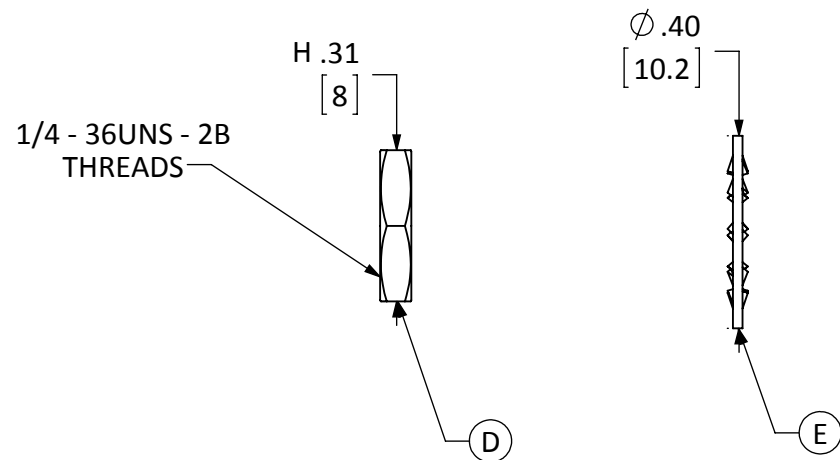
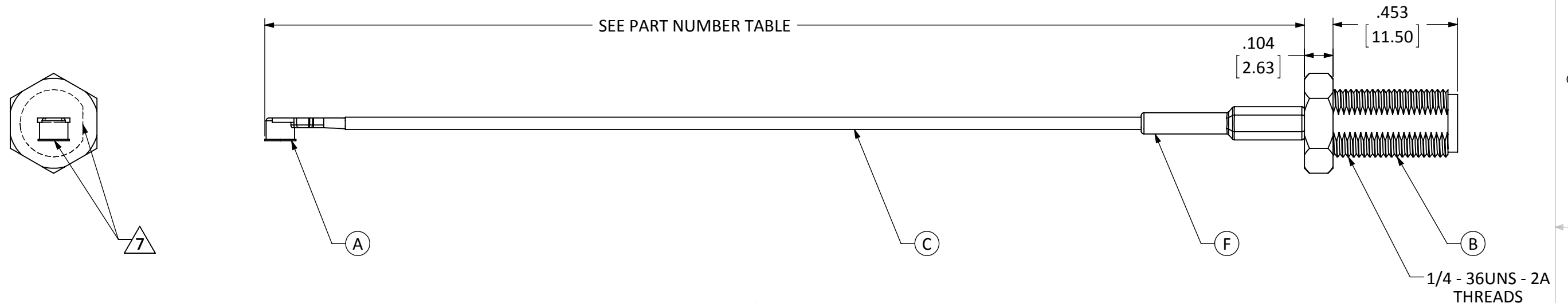
SIZE DWG. NO. REV  
**B** CSI-SAFE-ccc-UFFR **C**

ENGR: S.HOGAN DT: 15-APR-14 DRAWN: B.MURPHY DT: 26-MAR-14  
SCALE: 2.5:1 DO NOT SCALE DRAWING SHEET 1 OF 1

LDCDFB\_C

ITEM	DESCRIPTION	MATERIAL	FINISH
A	U.FL PLUG	BRASS	GOLD
B	SMA FEM. BULKHEAD MOUNT CONNECTOR	BRASS	NICKEL
C	CABLE	1.13mm COAXIAL	GRAY
D	NUT	BRASS	NICKEL
E	WASHER	BRASS	NICKEL
F	HEAT SHRINK TUBING	POLYOLEFIN	BLACK

REVISIONS			
REV	DESCRIPTION	DATE	APPV
A	INITIAL RELEASE OF LINX INTERNAL DRAWING	15-APR-14	SAH
B	UPDATED NOTE 3; ADDED NOTE 5; ADDED FLAG NOTE 7 AND VIEW TO ILLUSTRATE CONNECTOR ORIENTATION; ADDED DIMENSIONS; UPDATED DESCRIPTION TABLE	1-SEP-15	SAH
C	UPDATED TO ADD DIMENSIONS TO NUT AND WASHER	13-JUL-16	SAH



- NOTES: (UNLESS OTHERWISE SPECIFIED)
- ALL DIMENSIONS ARE IN INCHES [mm].
  - DIMENSIONS APPLY AFTER FINISHING.
  - MANUFACTURE TO BE COMPLIANT WITH EU RoHS DIRECTIVE, USE MATERIALS THAT DO NOT CONTAIN REACH SUBSTANCES OF VERY HIGH CONCERN >1000ppm, AND USE DRC CONFLICT-FREE SOURCED MATERIALS.
  - MINIMUM FREQUENCY RANGE: DC TO 3GHz.
  - CABLE ASSEMBLY SPECIFICATIONS;
    - CHARACTERISITIC IMPEDANCE:  $50\Omega \pm 3\Omega$
    - INSERTION LOSS: 100mm - 0.34vf IN GHz TYP.
    - 200mm - 0.56vf IN GHz TYP.
    - 300mm - 0.73vf IN GHz TYP.
  - CONNECTOR TO BE APPLIED IN ACCORDANCE WITH CONNECTOR SUPPLIER RECOMMENDED PROCEDURE.
- 7 CONNECTORS TO BE ORIENTED WITH U.FL CONNECTOR MATING FACE 90° CLOCKWISE FROM BULKHEAD CONNECTOR THREAD FLAT FACE, AS SHOWN.

PART NUMBER	CABLE LENGTH
CSI-SAFB-100-UFFR	100mm
CSI-SAFB-200-UFFR	200mm
CSI-SAFB-300-UFFR	300mm

**WARNING:** THIS DRAWING CONTAINS PROPRIETARY INFORMATION THAT IS THE SOLE PROPERTY OF LINX TECHNOLOGIES, AND SHALL BE TREATED AS SUCH. NO DISCLOSURE OR REPRODUCTION OF THIS DOCUMENT IS PERMITTED, IN WHOLE OR IN PART, WITHOUT THE EXPRESS WRITTEN PERMISSION OF LINX TECHNOLOGIES OR ITS DESIGNATED AGENTS.

MATERIAL:	INTERPRET DIMENSIONS AND TOLERANCES PER ASME Y14.5.	PROJECTION:
FINISH:	SURFACE FINISH: $\sqrt{32}$ ANGLES: $\pm 1^\circ$	
	TOLERANCES: .X $\pm .1$ .XX $\pm .01$ .XXX $\pm .005$	
	DRAWN: B.MURPHY DT: 26-MAR-14	
	ENGR: S.HOGAN DT: 15-APR-14	

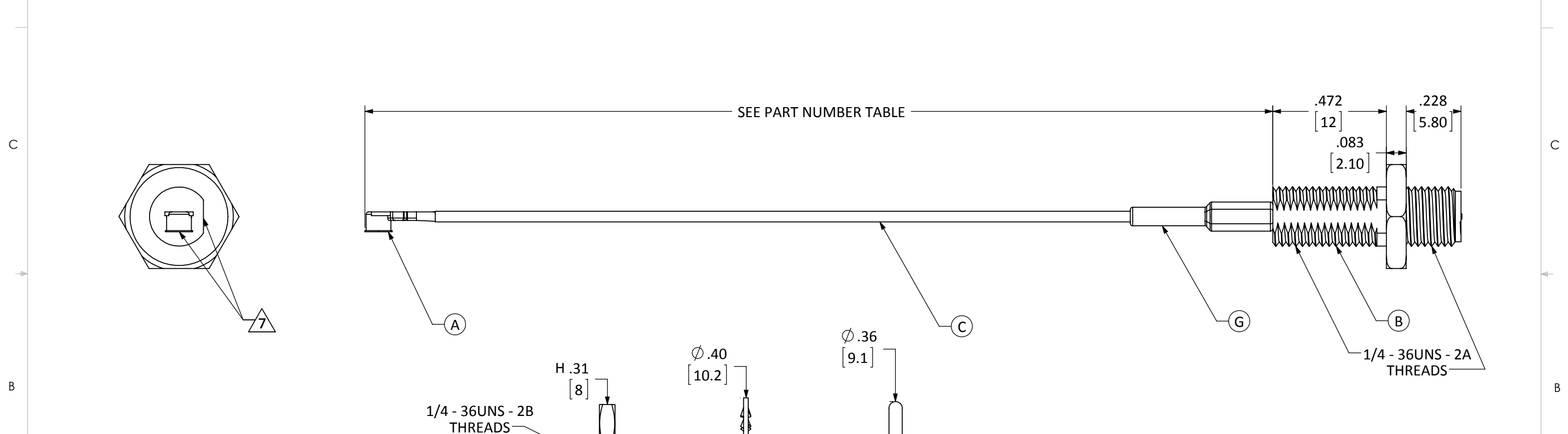
**Linx** 159 ORT LANE  
MERLIN, OR 97532

TITLE: **CABLE ASSEMBLY, U.FL TO FEM. BLKHD SMA, 1.13mm CBL**

SIZE	DWG. NO.	REV
<b>B</b>	CSI-SAFB-ccc-UFFR	<b>C</b>
SCALE: 2.5:1	DO NOT SCALE DRAWING	SHEET 1 OF 1

ITEM	DESCRIPTION	MATERIAL	FINISH
A	U.FL PLUG	BRASS	GOLD
B	SEALED RP-SMA FEM. BULKHEAD MOUNT CONNECTOR	BRASS	NICKEL
C	CABLE	1.13mm COAXIAL	GRAY
D	NUT	BRASS	NICKEL
E	WASHER	BRASS	NICKEL
F	O-RING	Si RUBBER	BLACK
G	HEAT SHRINK TUBING	POLYOLEFIN	BLACK

REVISIONS			
REV	DESCRIPTION	DATE	APPV
A	INITIAL RELEASE OF LINX INTERNAL DRAWING	15-APR-14	SAH
B	UPDATED NOTE 3; ADDED NOTE 5; ADDED FLAG NOTE 7 AND VIEW TO ILLUSTRATE CONNECTOR ORIENTATION; ADDED DIMENSIONS; UPDATED DESCRIPTION TABLE	1-SEP-15	SAH
C	UPDATED TO ADD DIMENSIONS TO NUT, WASHER AND O-RING	13-JUL-16	SAH



- NOTES: (UNLESS OTHERWISE SPECIFIED)
- ALL DIMENSIONS ARE IN INCHES [mm].
  - DIMENSIONS APPLY AFTER FINISHING.
  - MANUFACTURE TO BE COMPLIANT WITH EU RoHS DIRECTIVE, USE MATERIALS THAT DO NOT CONTAIN REACH SUBSTANCES OF VERY HIGH CONCERN >1000ppm, AND USE DRC CONFLICT-FREE SOURCED MATERIALS.
  - MINIMUM FREQUENCY RANGE: DC TO 3GHz.
  - CABLE ASSEMBLY SPECIFICATIONS;
    - CHARACTERISITIC IMPEDANCE: 50Ω ± 3Ω
    - INSERTION LOSS: 100mm - 0.34vf IN GHz TYP.
    - 200mm - 0.56vf IN GHz TYP.
    - 300mm - 0.73vf IN GHz TYP.
  - CONNECTOR TO BE APPLIED IN ACCORDANCE WITH CONNECTOR SUPPLIER RECOMMENDED PROCEDURE.
- 7 CONNECTORS TO BE ORIENTED WITH U.FL CONNECTOR MATING FACE 90° CLOCKWISE FROM BULKHEAD CONNECTOR THREAD FLAT FACE, AS SHOWN.

PART NUMBER	CABLE LENGTH
CSI-RSFE-100-UFFR	100mm
CSI-RSFE-200-UFFR	200mm
CSI-RSFE-300-UFFR	300mm

**WARNING:** THIS DRAWING CONTAINS PROPRIETARY INFORMATION THAT IS THE SOLE PROPERTY OF LINX TECHNOLOGIES, AND SHALL BE TREATED AS SUCH. NO DISCLOSURE OR REPRODUCTION OF THIS DOCUMENT IS PERMITTED, IN WHOLE OR IN PART, WITHOUT THE EXPRESS WRITTEN PERMISSION OF LINX TECHNOLOGIES OR ITS DESIGNATED AGENTS.

**Linx** 159 ORT LANE  
MERLIN, OR 97532

TITLE: **CABLE ASSEMBLY, U.FL TO FEM. BLKHD RP-SMA, 1.13mm CBL**

MATERIAL: INTERPRET DIMENSIONS AND TOLERANCES PER ASME Y14.5. PROJECTION:

FINISH: SURFACE FINISH: ANGLES: ±1° TOLERANCES: .X ±.1 .XX ±.01 .XXX ±.005

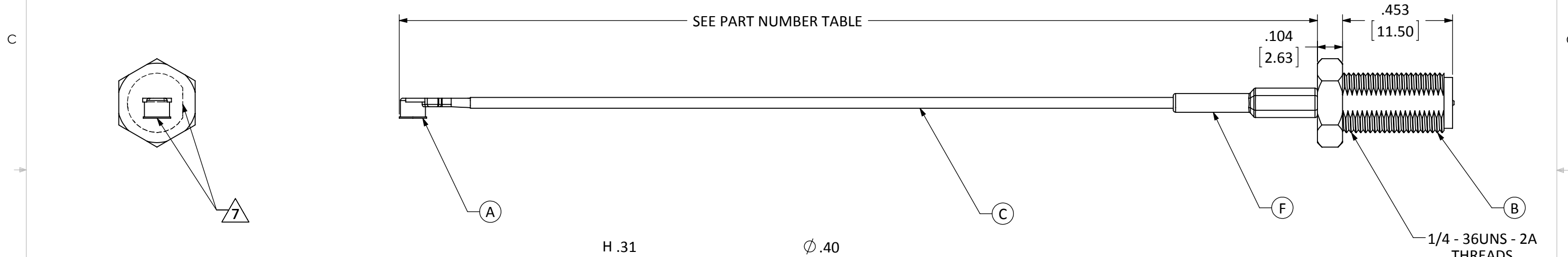
DRAWN: B.MURPHY DT: 26-MAR-14  
ENGR: S.HOGAN DT: 15-APR-14

SIZE DWG. NO. REV  
**B** CSI-RSFE-ccc-UFFR **C**

SCALE: 2.5:1 DO NOT SCALE DRAWING SHEET 1 OF 1

ITEM	DESCRIPTION	MATERIAL	FINISH
A	U.FL PLUG	BRASS	GOLD
B	RP-SMA FEM. BULKHEAD MOUNT CONNECTOR	BRASS	NICKEL
C	CABLE	1.13mm COAXIAL	GRAY
D	NUT	BRASS	NICKEL
E	WASHER	BRASS	NICKEL
F	HEAT SHRINK TUBING	POLYOLEFIN	BLACK

REVISIONS			
REV	DESCRIPTION	DATE	APPV
A	INITIAL RELEASE OF LINX INTERNAL DRAWING	15-APR-14	SAH
B	UPDATED NOTE 3; ADDED FLAG NOTE 7 AND VIEW TO ILLUSTRATE CONNECTOR ORIENTATION; ADDED DIMENSIONS; UPDATED DESCRIPTION TABLE; ADDED NOTE 5	1-SEP-15	SAH
C	UPDATED TO ADD DIMENSIONS TO NUT AND WASHER	13-JUL-16	SAH



- NOTES: (UNLESS OTHERWISE SPECIFIED)
- ALL DIMENSIONS ARE IN INCHES [mm].
  - DIMENSIONS APPLY AFTER FINISHING.
  - MANUFACTURE TO BE COMPLIANT WITH EU RoHS DIRECTIVE, USE MATERIALS THAT DO NOT CONTAIN REACH SUBSTANCES OF VERY HIGH CONCERN >1000ppm, AND USE DRC CONFLICT-FREE SOURCED MATERIALS.
  - MINIMUM FREQUENCY RANGE: DC TO 3GHz.
  - CABLE ASSEMBLY SPECIFICATIONS;
    - CHARACTERISTIC IMPEDANCE:  $50\Omega \pm 3\Omega$
    - INSERTION LOSS: 100mm - 0.34vf IN GHz TYP.
    - 200mm - 0.56vf IN GHz TYP.
    - 300mm - 0.73vf IN GHz TYP.
  - CONNECTOR TO BE APPLIED IN ACCORDANCE WITH CONNECTOR SUPPLIER RECOMMENDED PROCEDURE.
- 7** CONNECTORS TO BE ORIENTED WITH U.FL CONNECTOR MATING FACE 90° CLOCKWISE FROM BULKHEAD CONNECTOR THREAD FLAT FACE, AS SHOWN.

PART NUMBER	CABLE LENGTH
CSI-RSFB-100-UFFR	100mm
CSI-RSFB-200-UFFR	200mm
CSI-RSFB-300-UFFR	300mm

**WARNING:** THIS DRAWING CONTAINS PROPRIETARY INFORMATION THAT IS THE SOLE PROPERTY OF LINX TECHNOLOGIES, AND SHALL BE TREATED AS SUCH. NO DISCLOSURE OR REPRODUCTION OF THIS DOCUMENT IS PERMITTED, IN WHOLE OR IN PART, WITHOUT THE EXPRESS WRITTEN PERMISSION OF LINX TECHNOLOGIES OR ITS DESIGNATED AGENTS.

**Linx** 159 ORT LANE  
MERLIN, OR 97532

TITLE: **CABLE ASSEMBLY, U.FL TO FEM. BLKHD RP-SMA, 1.13mm CBL**

MATERIAL: INTERPRET DIMENSIONS AND TOLERANCES PER ASME Y14.5. PROJECTION:

FINISH: SURFACE FINISH:  $\sqrt{\text{32}}$  ANGLES:  $\pm 1^\circ$  TOLERANCES: .X  $\pm .1$  .XX  $\pm .01$  .XXX  $\pm .005$

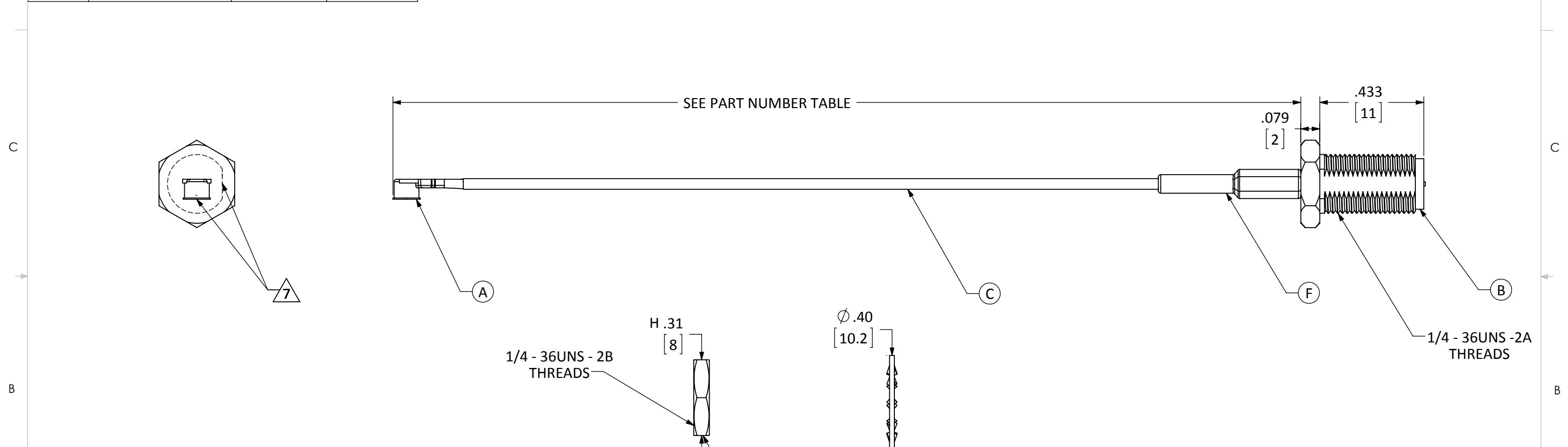
DRAWN: B.MURPHY DT: 26-MAR-14  
ENGR: S.HOGAN DT: 15-APR-14

SIZE DWG. NO. REV  
**B** CSI-RSFB-ccc-UFFR **C**

SCALE: 2.5:1 DO NOT SCALE DRAWING SHEET 1 OF 1

ITEM	DESCRIPTION	MATERIAL	FINISH
A	U.FL PLUG	BRASS	GOLD
B	RP-SMA FEM. BULKHEAD MOUNT CONNECTOR	BRASS	GOLD
C	CABLE	1.13mm COAXIAL	GRAY
D	NUT	BRASS	GOLD
E	WASHER	BRASS	GOLD
F	HEAT SHRINK TUBING	POLYOLEFIN	BLACK

REVISIONS			
REV	DESCRIPTION	DATE	APPV
A	INITIAL RELEASE OF LINX INTERNAL DRAWING	14-MAY-15	SAH
B	UPDATED NOTES NUMBERING; UPDATED NOTE 5; ADDED FLAG NOTE 7 AND VIEW TO ILLUSTRATE CONNECTOR ORIENTATION; ADDED DIMESIONS; UPDATED DESCRIPTION TABLE	1-SEP-15	SAH
C	UPDATED TO ADD DIMENSIONS TO NUT AND WASHER	13-JUL-16	SAH



NOTES: (UNLESS OTHERWISE SPECIFIED)

- ALL DIMENSIONS ARE IN INCHES [mm].
- DIMENSIONS APPLY AFTER FINISHING.
- MANUFACTURE TO BE COMPLIANT WITH EU RoHS DIRECTIVE, USE MATERIALS THAT DO NOT CONTAIN REACH SUBSTANCES OF VERY HIGH CONCERN >1000ppm, AND USE DRC CONFLICT-FREE SOURCED MATERIALS.
- MINIMUM FREQUENCY RANGE: DC TO 3GHz.
- CABLE ASSEMBLY SPECIFICATIONS;
  - CHARACTERISTIC IMPEDANCE:  $50\Omega \pm 3\Omega$
  - INSERTION LOSS: 100mm - 0.34vf IN GHz TYP.
  - 200mm - 0.56vf IN GHz TYP.
  - 300mm - 0.73vf IN GHz TYP.
- CONNECTORS TO BE APPLIED IN ACCORDANCE WITH CONNECTOR SUPPLIER RECOMMENDED PROCEDURE.
- CONNECTORS TO BE ORIENTED WITH U.FL CONNECTOR MATING FACE 90° CLOCKWISE FROM BULKHEAD CONNECTOR THREAD FLAT FACE, AS SHOWN.

PART NUMBER	CABLE LENGTH
CSI-RGFB-100-UFFR	100mm
CSI-RGFB-200-UFFR	200mm
CSI-RGFB-300-UFFR	300mm

**WARNING:** THIS DRAWING CONTAINS PROPRIETARY INFORMATION THAT IS THE SOLE PROPERTY OF LINX TECHNOLOGIES, AND SHALL BE TREATED AS SUCH. NO DISCLOSURE OR REPRODUCTION OF THIS DOCUMENT IS PERMITTED, IN WHOLE OR IN PART, WITHOUT THE EXPRESS WRITTEN PERMISSION OF LINX TECHNOLOGIES OR ITS DESIGNATED AGENTS.

**Linx** 159 ORT LANE  
MERLIN, OR 97532

TITLE: **CABLE ASSEMBLY, U.FL TO FEM. BLKHD RP-SMA, 1.13mm CBL**

MATERIAL:	INTERPRET DIMENSIONS AND TOLERANCES PER ASME Y14.5.	PROJECTION:
FINISH:	SURFACE FINISH: $\sqrt{}$ ANGLES: $\pm 1^\circ$	
	TOLERANCES: .X $\pm$ .1 .XX $\pm$ .01 .XXX $\pm$ .005	
	DRAWN: B.MURPHY DT: 14-APR-15	
	ENGR: C.LEWIS DT: 14-MAY-15	

SIZE	DWG. NO.	REV
<b>B</b>	CSI-RGFB-ccc-UFFR	<b>C</b>
SCALE: 2.5:1	DO NOT SCALE DRAWING	SHEET 1 OF 1

**AFFECTED MPN**

CSI-SAFE-100-UFFR  
CSI-SAFE-200-UFFR  
CSI-SAFE-300-UFFR  
CSI-SAFB-100-UFFR  
CSI-SAFB-200-UFFR  
CSI-SAFB-300-UFFR  
CSI-RSFE-100-UFFR  
CSI-RSFE-200-UFFR  
CSI-RSFE-300-UFFR  
CSI-RSFB-100-UFFR  
CSI-RSFB-200-UFFR  
CSI-RSFB-300-UFFR  
CSI-RGFB-100-UFFR  
CSI-RGFB-200-UFFR  
CSI-RGFB-300-UFFR