

1 Products affected

Product hierarchy no. *			Part no.	SBU	Type / Description	Customer part no.
SBU	PG	PGU	Type			
02	007	060	0000002247	4747.0000	Distribution Unit	4747 (Minibloc)

*SBU (2-digit) / PG (3-digit) / PGU (3-digit) / Type (10-digit)

2 Type of change

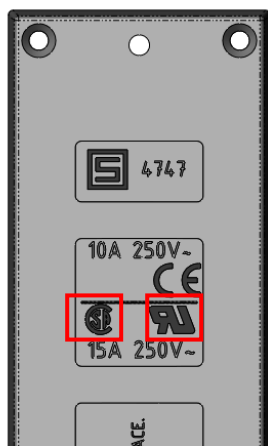
Modification of approval marks

3 Detailed description of change

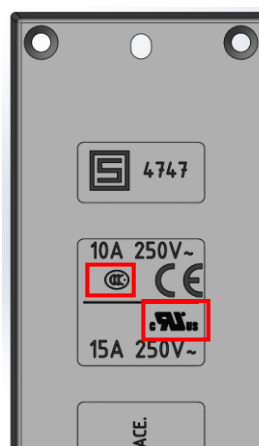
New CCC approval mark.

New combined cURus approval mark instead of separate UR and CSA marks.

Old marking



New marking



4 Reason of change

Extension with CCC approval mark. Consolidation of North American approval marks with the combined cURus mark.

5 Release date

The change will be rolled-out individually by all part numbers affected starting ww 32/2015 and last approx. 6 months.

6 Impact of change and recommended action

Form: No No change in the form.
Fit: No There are no dimensional changes.
Function: No No change on the specification.
Production Site: No There is no change of the production site.
Product Label: Yes New CCC , CSA and UR marks replaced by cURus mark.

7 Reference Documents / Attachments

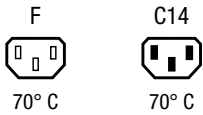
Kind of document	Document number	Remarks
Data Sheet 4747		

4747 Minibloc					0118.2151	
creation date	created by	release date	released by	notification no.	revision	page
2012-12-17	hollenpe	2015-02-17	hotzar	27061	-	1 of 1

Distribution Unit with 1 IEC Appliance Inlet C14 and 4 Appliance Outlets F



Minibloc 4747



Description

- Stand alone module
- 1 Function:
of 4 outlets, Pin temperature 70 °C, Protection class I

Approvals

- VDE Certificate Number: 40015595
- UL File Number: E96454
- CCC File Number: 2011010204456404

Characteristics

- Suitable for use in equipment according to IEC/UL 60950

Weblinks

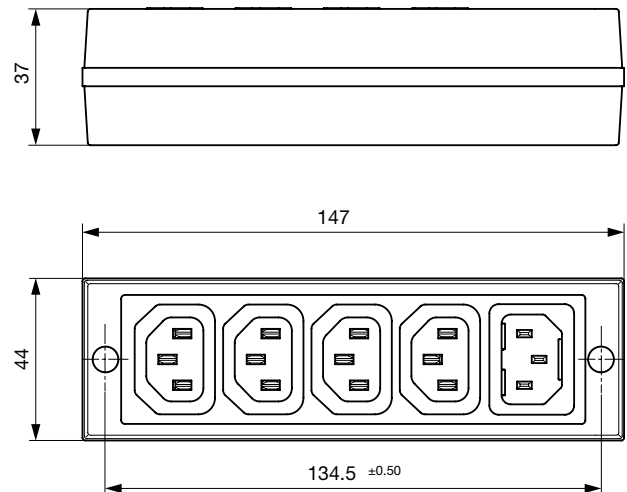
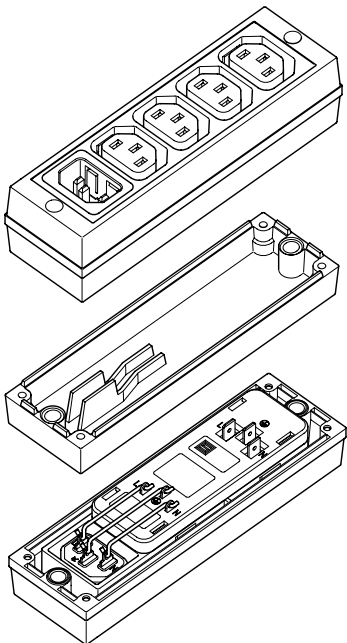
[pdf-datasheet](#), [html-datasheet](#), [General Product Information](#), [Approvals](#), [CE declaration of conformity](#), [RoHS](#), [CHINA-RoHS](#), [REACH](#), [Mating Connectors](#), [e-Shop](#), [SCHURTER-Stock-Check](#), [Distributor-Stock-Check](#), [CAD-Drawings](#), [Accessories](#), [Detailed request for product](#)

Technical Data

Ratings IEC	10A / 250VAC; 50Hz
Ratings UL/CSA	15A / 250VAC; 60Hz
Dielectric Strength	> 2 kVAC between L-N > 2 kVAC between L/N-PE (1 min/50Hz)
Allowable Operation Temp.	-25 °C to 70 °C
Protection Class	Suitable for appliances with protection class I acc. to IEC 61140
Material: Housing	Thermoplastic, black, UL 94V-0

Appliance Inlet / Appliance Outlet	C14 acc. to IEC 60320, / F acc. to IEC 60320, UL 498 CSA C22.2 no. 42 (for cold conditions) pin-temperature 70 °C, 10A, Protection Class I
MTBF	> 200'000h acc. to MIL-HB-217 F

Dimensions



Mounting holes for 3 mm screws

All Variants

Terminal	Version with	Order Number
-	inlet	4747.0000

Most Popular.

Availability for all products can be searched real-time: <http://www.schurter.com/en/Stock-Check/Stock-Check-SCHURTER>

Packaging unit 30 Pcs

Mating Inlets/Plugs

Category / Description

[Plug Overview complete](#)



IEC Plug E, Cord Connector (Rewireable), Straight, max. cable Diameter 8.5 mm	4732
IEC Plug E, Cord Connector (Rewireable), Angled, max. Cable Diameter 8.5 mm	4733
IEC Plug E, Cord Connector (Rewireable), Straight, max. Cable Diameter 10 mm	4735
IEC Plug E, Cord Connector (Rewireable), Angled, max. Cable Diameter 10 mm	4736
IEC Plug E, Cord Connector (Rewireable), Straight	9009
Plug further types to 4747	...

Mating Outlets/Connectors

[Appliance Outlet Overview complete](#)



IEC Appliance Outlet F, Screw-on Mounting, Front Side, Solder Terminal	4787
IEC Appliance Outlet F, Snap-in Mounting, Front Side, Solder or Quick-connect Terminal	4788
IEC Appliance Outlet F or H, Screw-on Mounting, Front Side, Solder, PCB or Quick-connect Terminal	5091
Appliance Outlet further types to 4747	...

[Connector Overview complete](#)



IEC Connector C15A, Rewireable, Straight	0102
IEC Connector C15A, Rewireable, Straight	0102-G
IEC Connector C15A, Rewireable, Angled	0112
IEC Connector C13, Rewireable, Angled	4012
IEC Connector C13, Rewireable, Straight	4022
Connector further types to 4747	...

[Power Supply or Interconnection Cord Overview complete](#)



Diverse Power Supply and Interconnection Cords 10 A	Cord Sets 10 A
Power Supply or Interconnection Cord further types to 4747	...