

Change Notice

GW Series

Revision to Vertical PC Terminals on GW Rockers & Paddles & GW Illuminated Paddles

Type of Change:

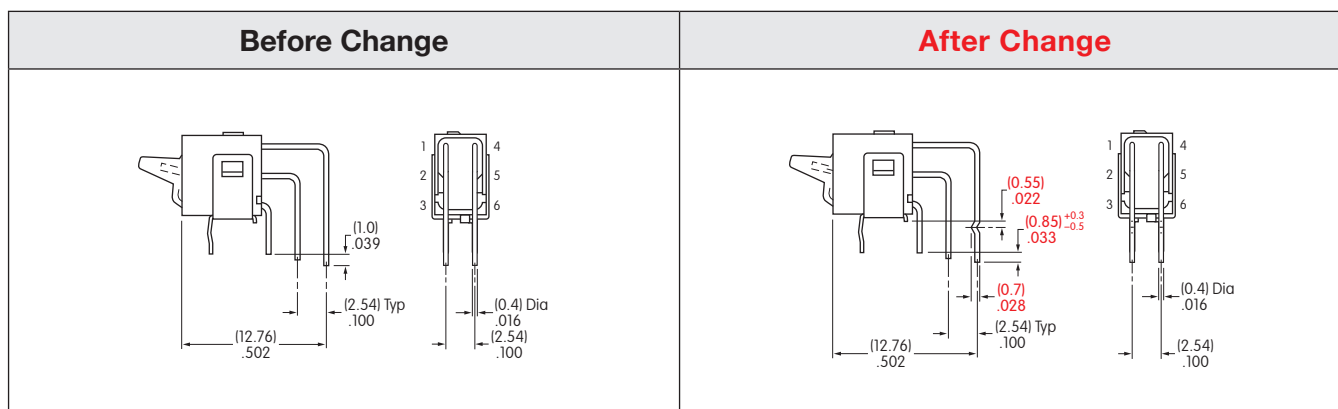
- Engineering Part Number
- Product Appearance

Terminals 1 and 4 will have modifications on GW Rockers and Paddles and GW Illuminated Paddles with vertical termination. These changes will effect both standard and custom products. The table below lists the standard part numbers that will be effected, and the illustrations depict the differences before and after revisions.



Example of GW22LCV before change to the terminals.

| GW Rockers & Paddles with Vertical PC | | | | | |
|---|----------|----------|-----------|-----------|-----------|
| GW12RBV | GW12RCV | GW12RHV | GW12LBV | GW12LCV | GW12LHV |
| GW22RBV | GW22RCV | GW22RHV | GW22LBV | GW22LCV | GW22LHV |
| GW Illuminated Paddles with Vertical PC | | | | | |
| GW12LJVC | GW12LJVD | GW12LJVF | GW12LJVCF | GW12LJVCF | GW12LJVCF |



Note

The footprint will not be effected by the terminal changes. Contact the factory if further details are needed.

Effective Date

Changes to GW Series vertical PC terminals will be effective April 2015.



<http://www.nkkswitches.com> • 1.877.2BUYNKK (228.9655)

7850 East Gelding Drive • Scottsdale, AZ 85260 • Telephone 480.991.0942 • Fax 480.998.1435